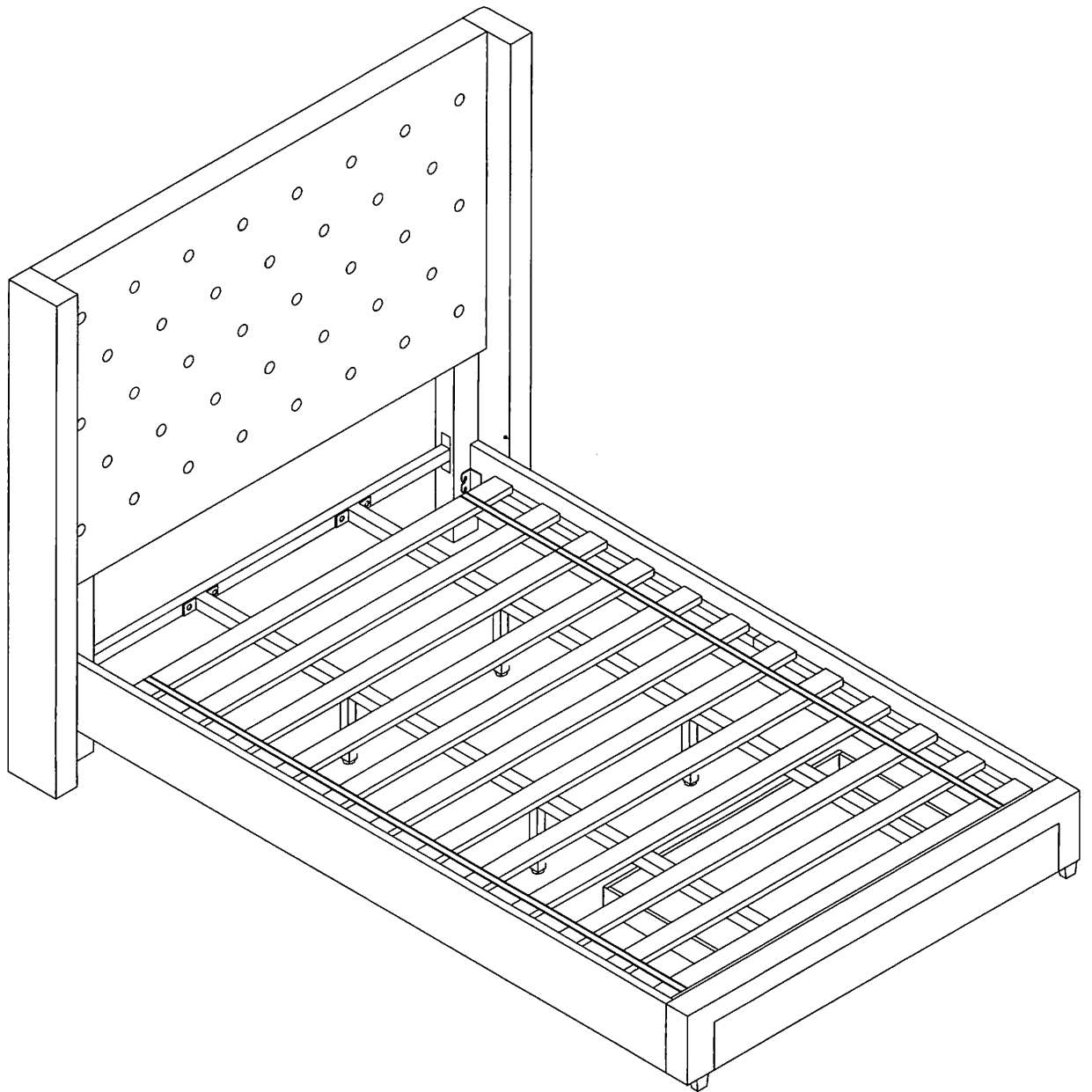


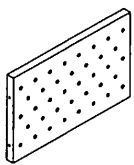
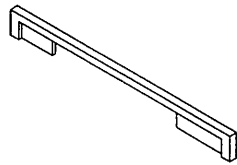
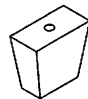
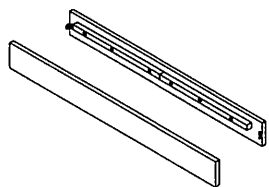
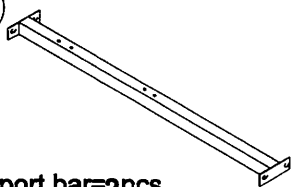

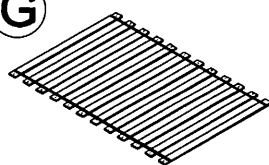

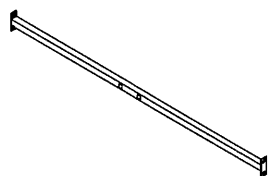
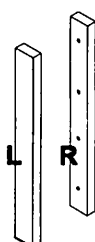
Assembly Instruction

ITEM NO.: BED00053 - KING


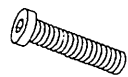
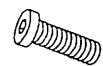






IMPORTANT: PLACE ALL PARTS ON A CLEAN AND SMOOTH SURFACE SUCH AS A RUG OR CARPETTO AVOID THE PARTS FROM BEING SCRATCHED KINDLY FOLLOW THE ASSEMBLY INSTRUCTIONS STEP DO NOT TIGHTEN ALL SCREWS UNTIL THE BED IS FULLY SET-UP



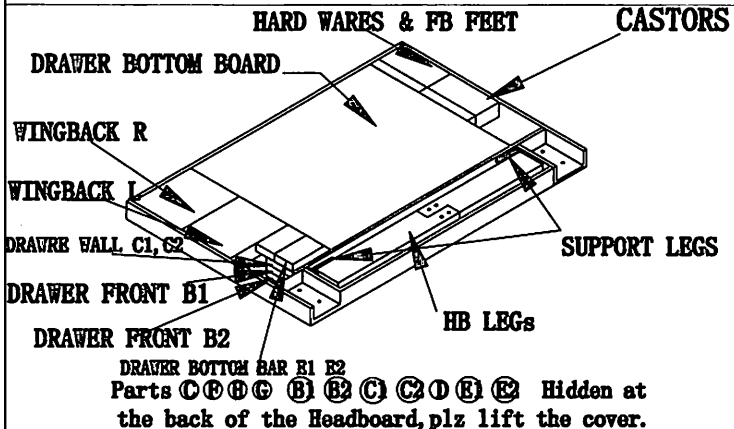
PARTS LIST:

<p>(A)</p>  <p>Headboard=1pc</p>	<p>(B)</p>  <p>Footboard=1pc</p>	<p>(C)</p>  <p>FB Feet=4pcs</p>	<p>(D)</p>  <p>Siderail=2pcs</p>
<p>(E)</p>  <p>Support bar=2pcs</p>	<p>(F)</p>  <p>Support leg=4pcs</p>	<p>(G)</p>  <p>Slats=1units</p>	<p>(H)</p>  <p>HB legs=2pcs</p>
<p>(I)</p>  <p>Crossband=1pc</p>	<p>(J)</p>  <p>Wing L&R=2pcs</p>		

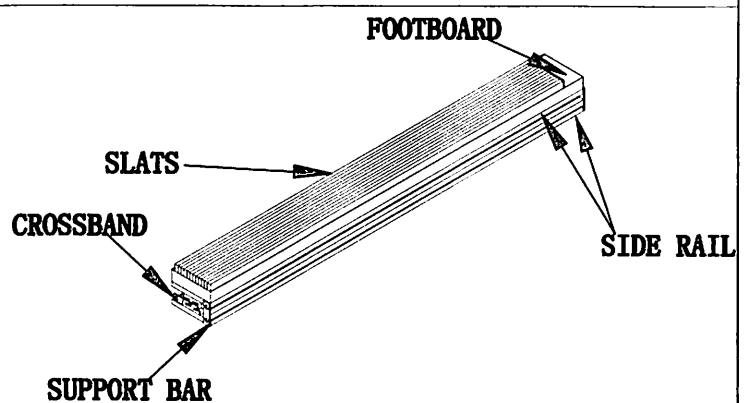
HARDWARE LIST:

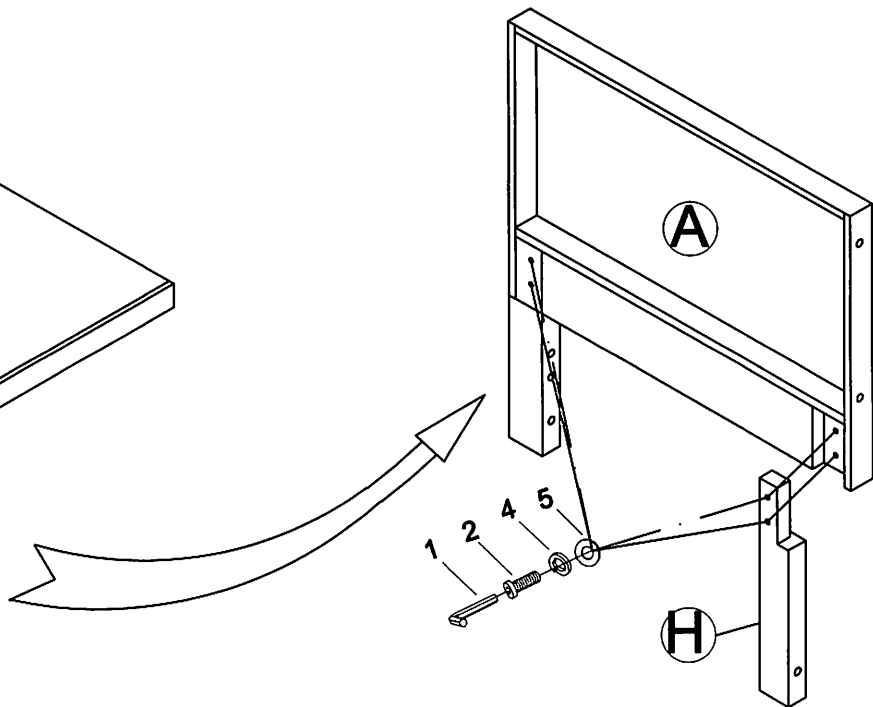
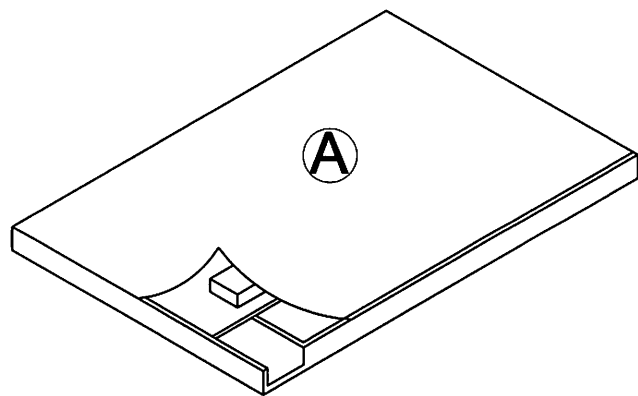
<p>(1) Allen Key $\varnothing 5/16"$=1pc</p> 	<p>(2) Bolt $\varnothing 5/16"$X2"L=20pcs</p> 	<p>(3) Bolt $\varnothing 5/16"$X 1-1/2"L=16p</p> 
<p>(4) Spring Washer=30pcs</p> 	<p>(5) Flat Washer $\varnothing 5/16"$X$\varnothing 19$mm=74pcs</p> 	<p>(6) Screw 10mmX1-1/4"L=32pcs</p> 
<p>(7) Nut=12pcs</p> 	<p>(8) Wrench=1pc</p> 	<p>(9) Bolt $\varnothing 5/16"$X 4"L= 2pcs</p> 

BOX 1/2 CONTENTS



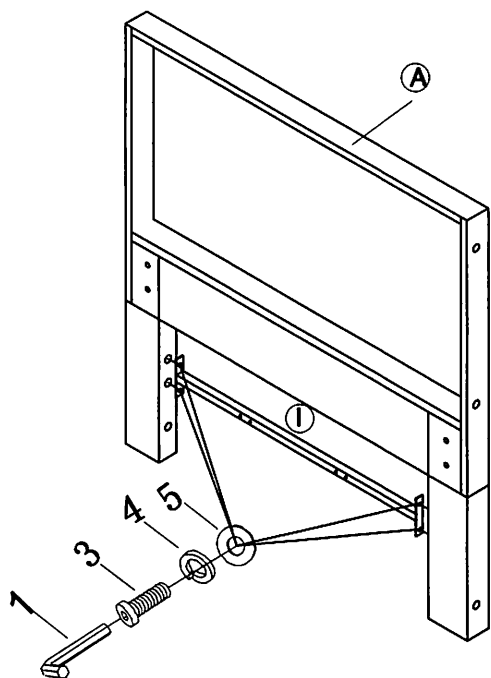
BOX 2/2 CONTENTS



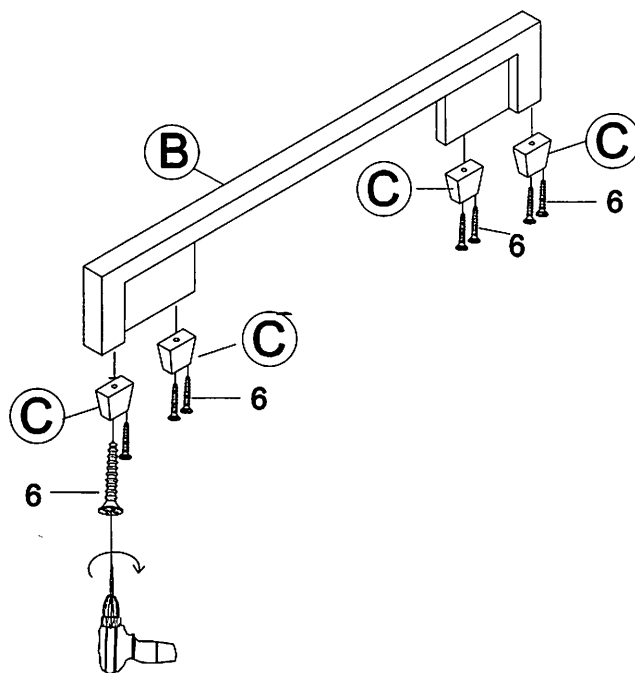


WINGBACKS, HB LEGS,
HARDWARES(2 PACKAGES),
SUPPORT LEGS, FB FEET ,
B1,B2,C1,C2,D,E1,E2 HIDDEN AT
THE BACK OF THE HEADBOARD,
PLZ LIFT THE COVER.

step 1

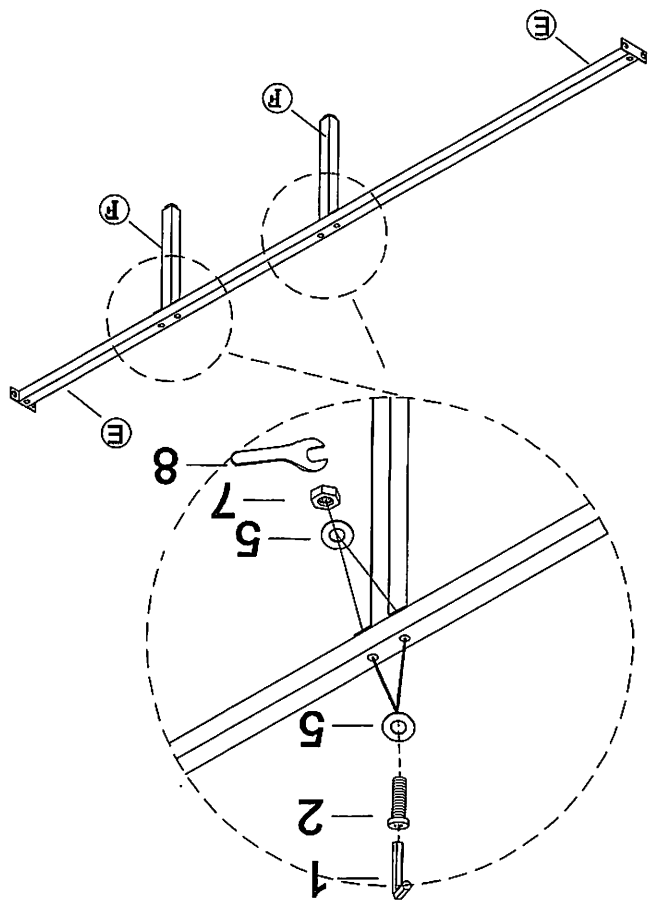


step 2

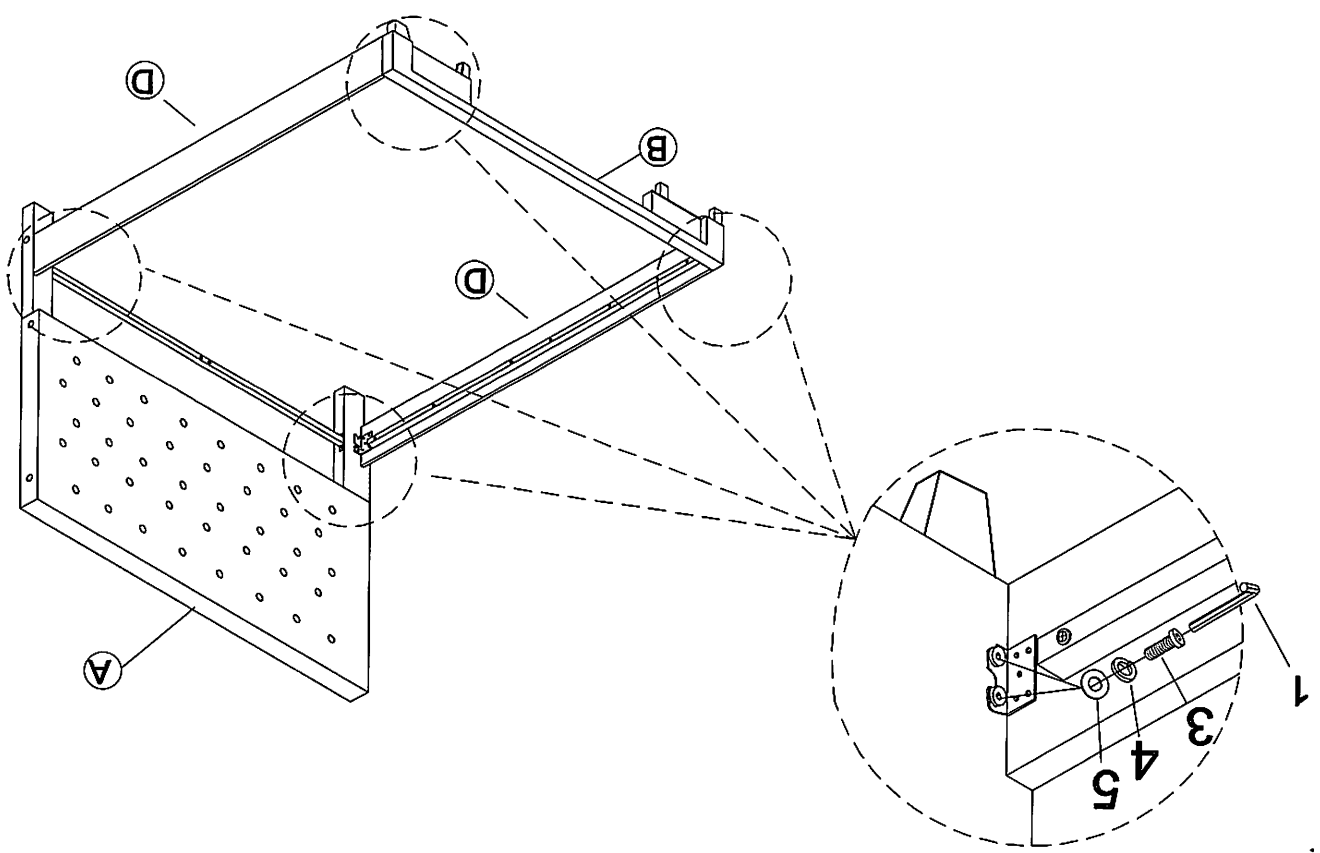


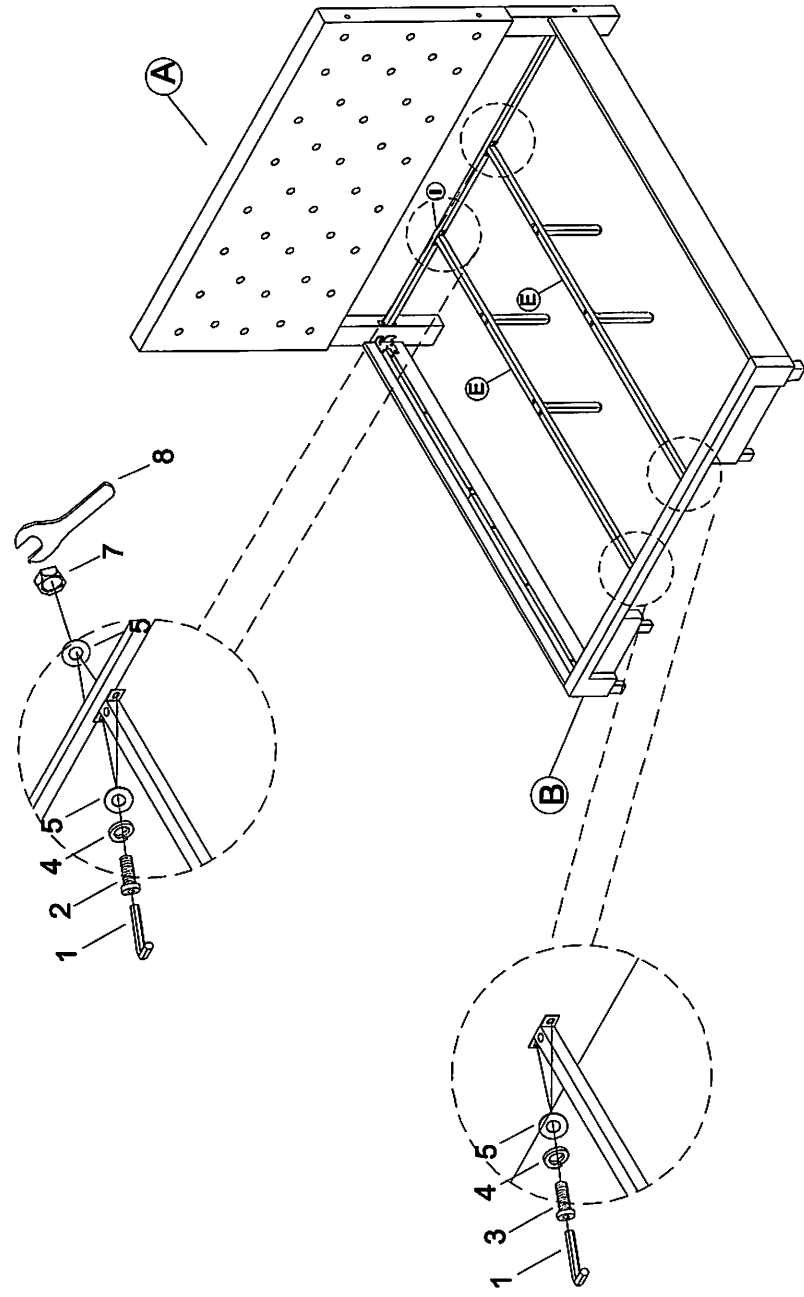
step 3

step 5

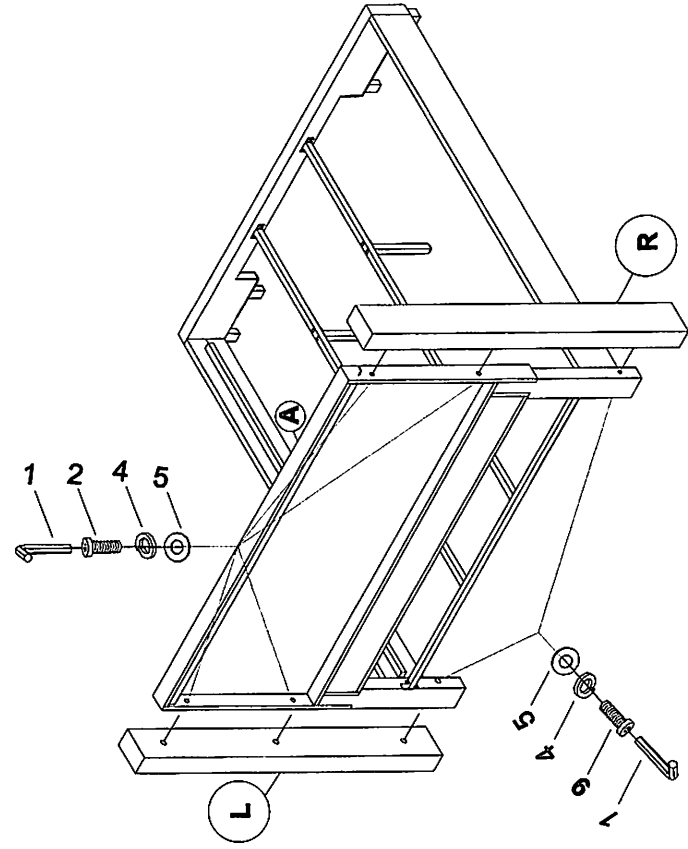


step 4

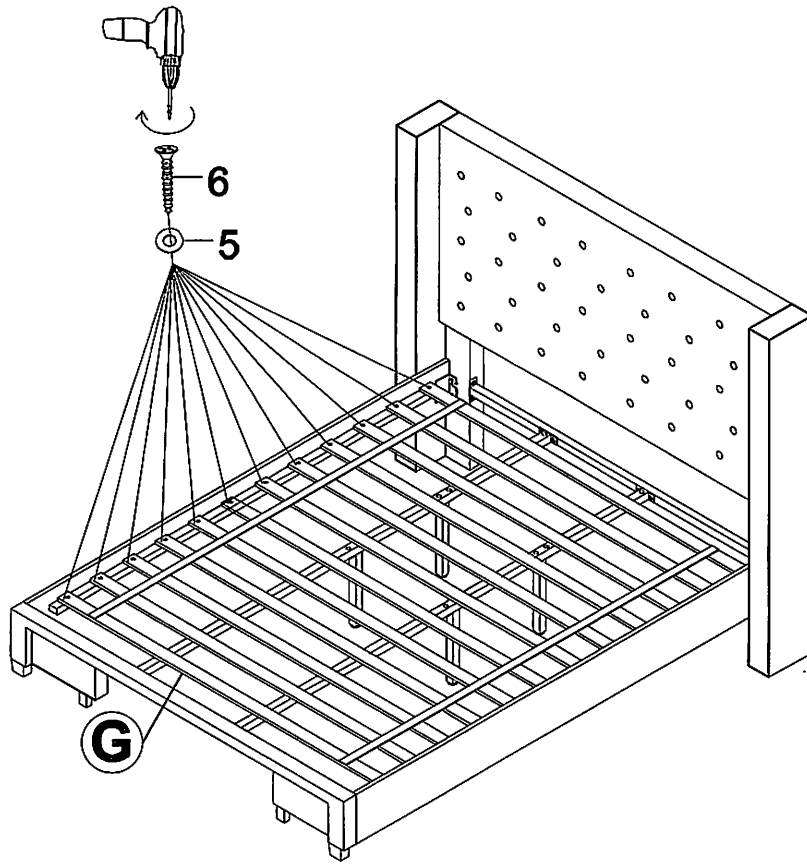




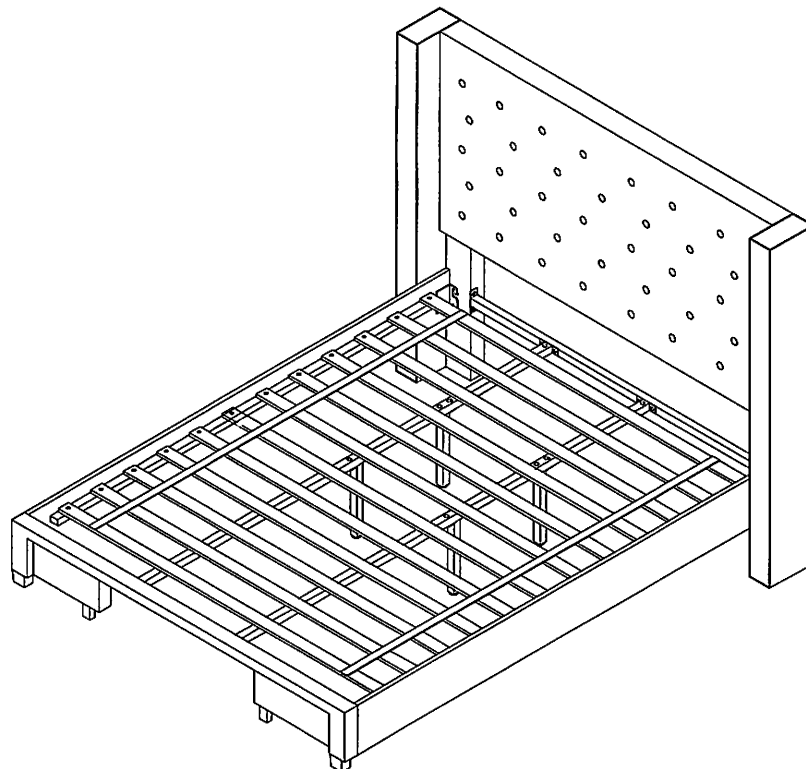
step 6



step 7



step 8

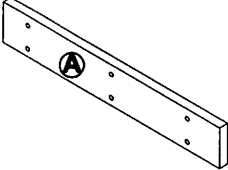
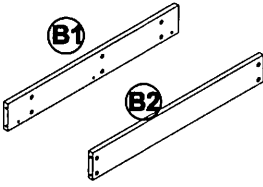
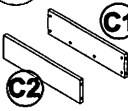
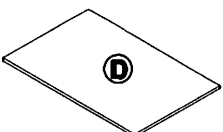
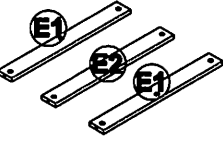


step 9

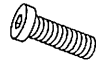




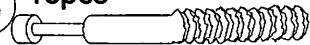
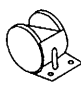
Drawer Assembly Instruction

0053

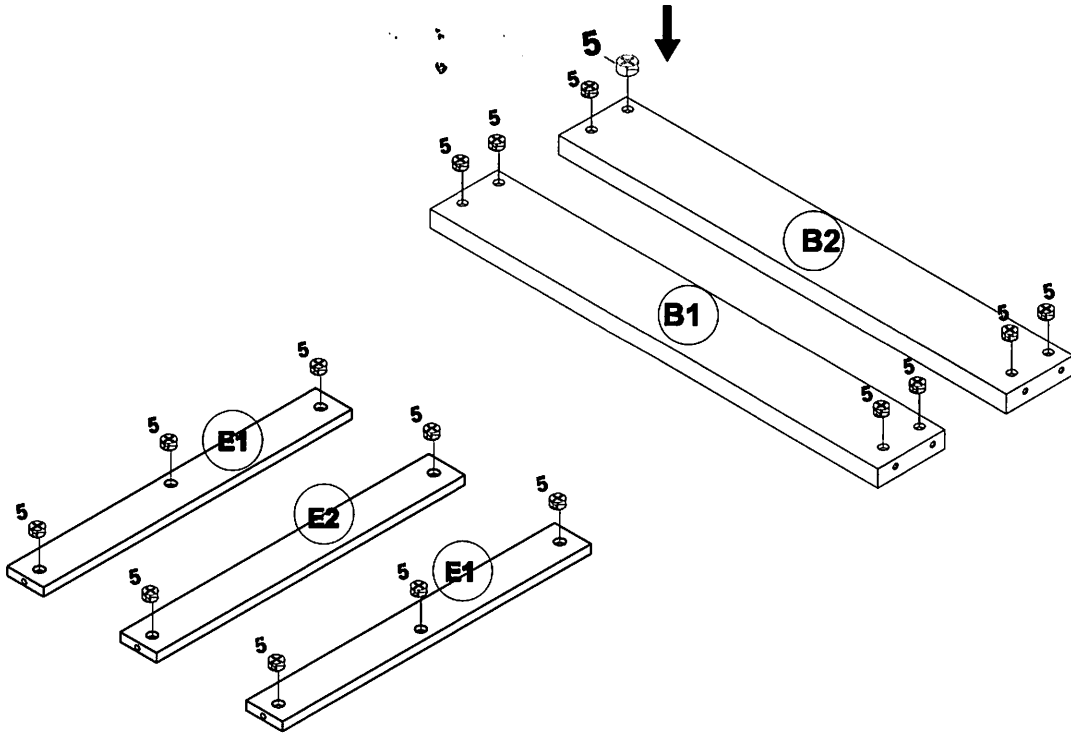
PARTS LIST:

<p>A</p>  <p>Drawer wall front=1PC</p>	<p>B</p>  <p>Drawer front =2pcs</p>	<p>C</p>  <p>Drawer wall =2PCS</p>	<p>D</p>  <p>Drawer bottom board=1pc</p>
<p>E</p>  <p>Drawer bottom bar =3PCS</p>			

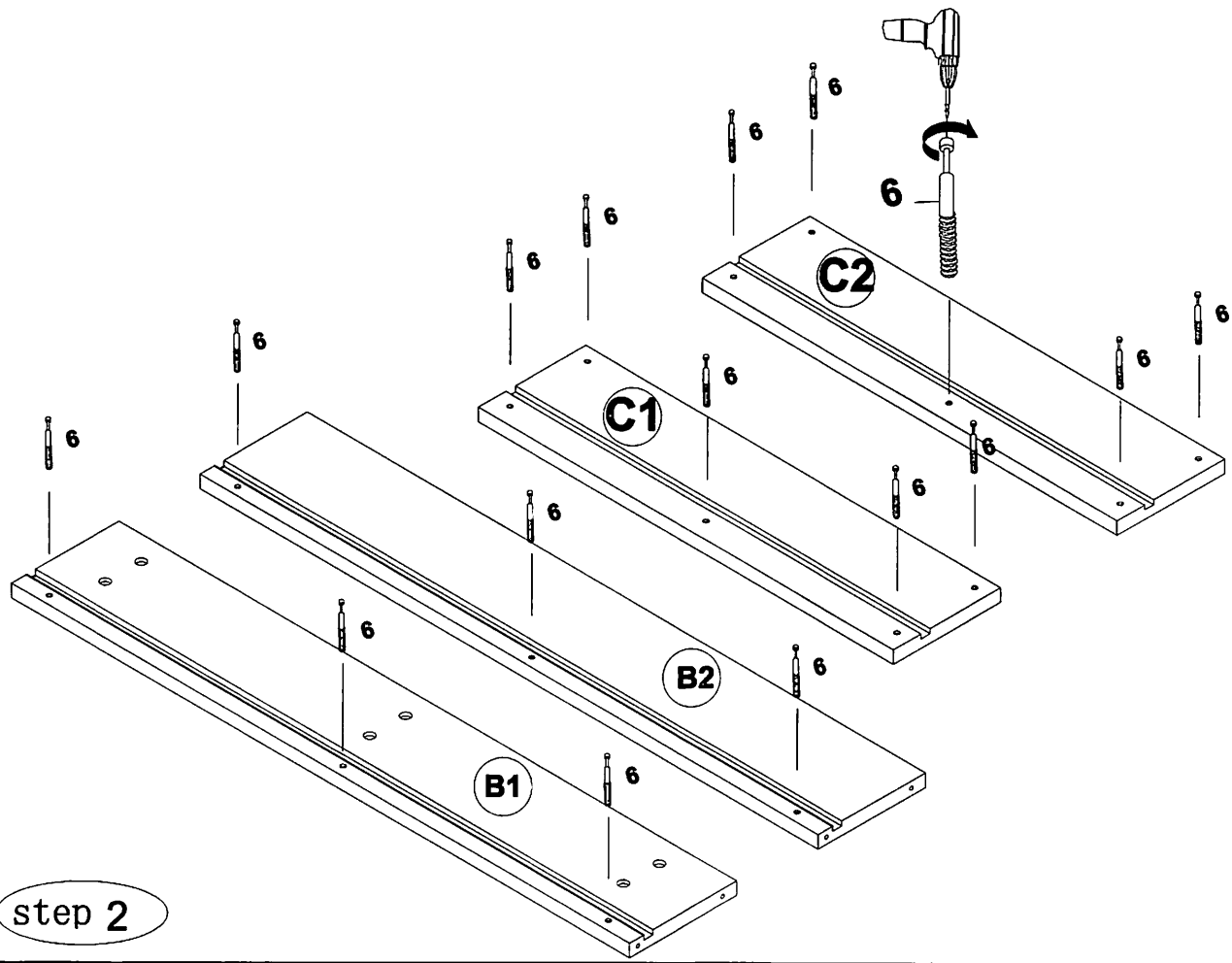
HARDWARE LIST:

<p>1 Bolt \varnothing 1/4"X 1"L=6 pcs</p> 	<p>2 Screw 10mmX 3/4"L=20pcs</p> 	<p>3 Allen Key \varnothing 1/4"=1pc</p> 
<p>4 Flat Washer \varnothing 1/4"X\varnothing16mm=6pcs</p> 	<p>5 16pcs</p> 	<p>6 16pcs</p> 
<p>7 Castor=5pcs</p> 		

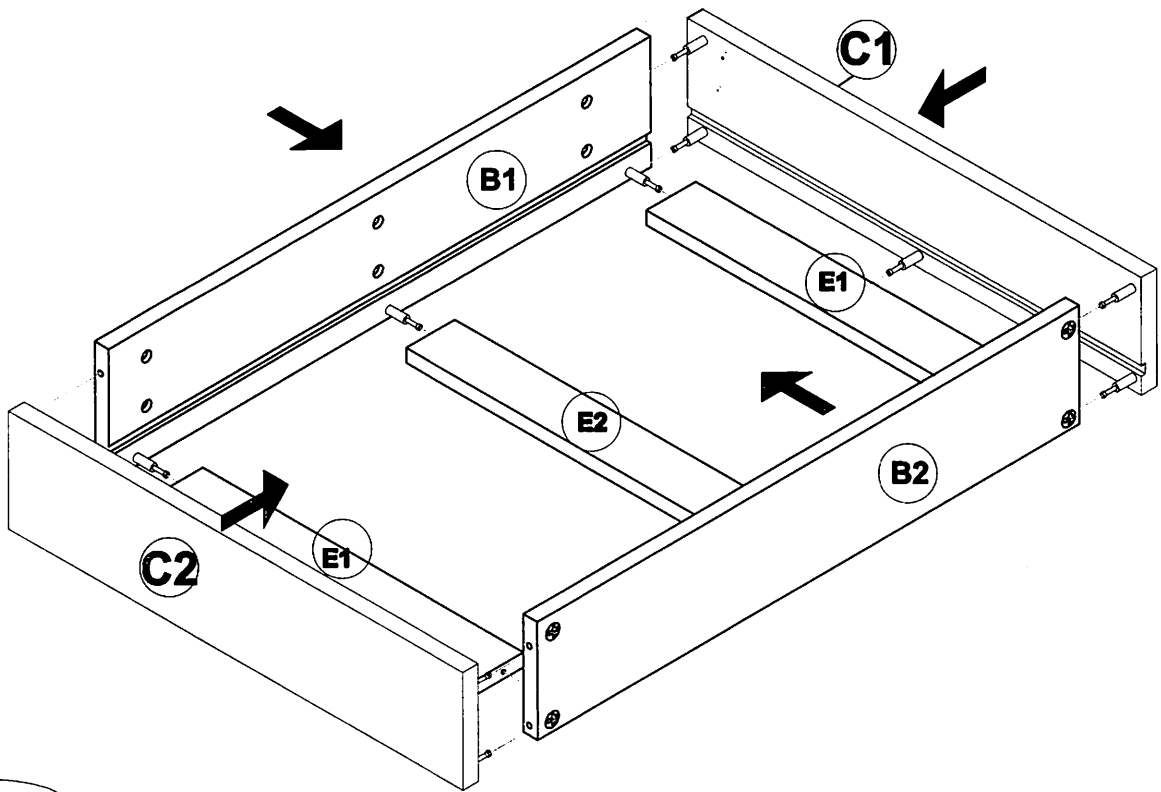
0023



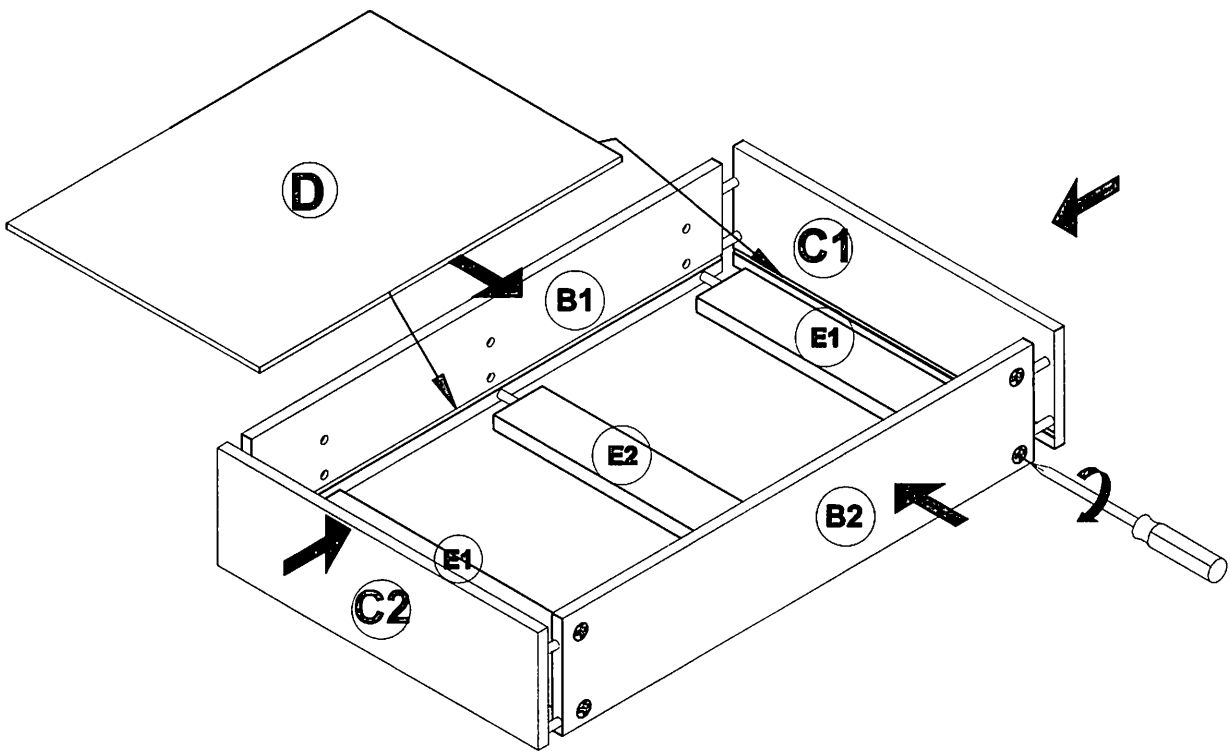
step 1



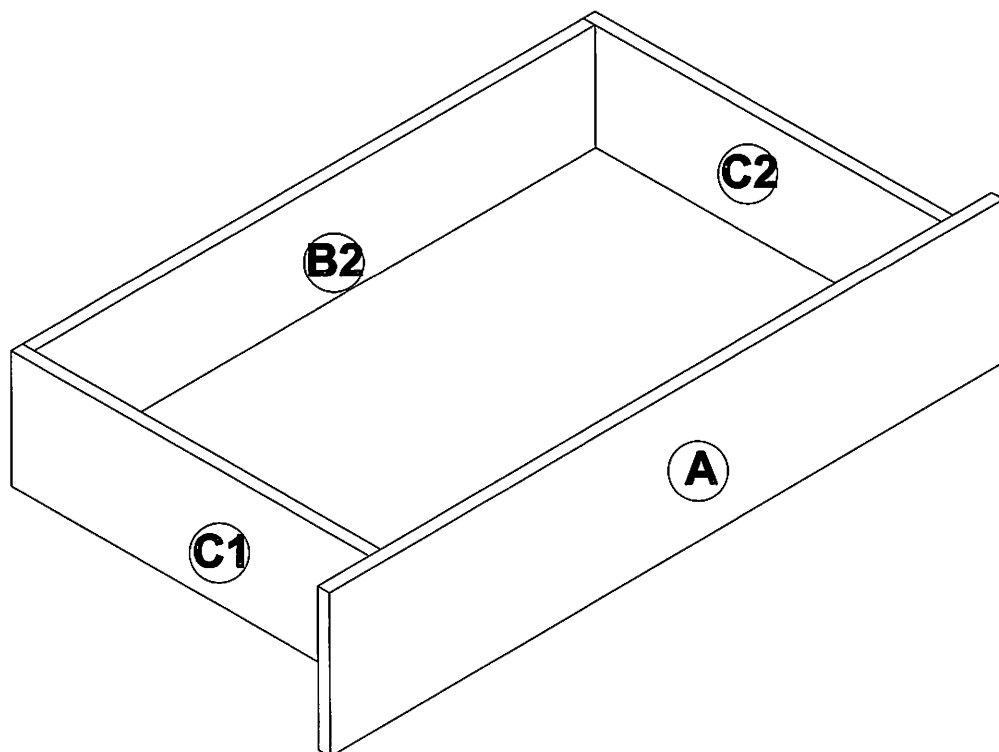
step 2



step 3



step 4



step 7

