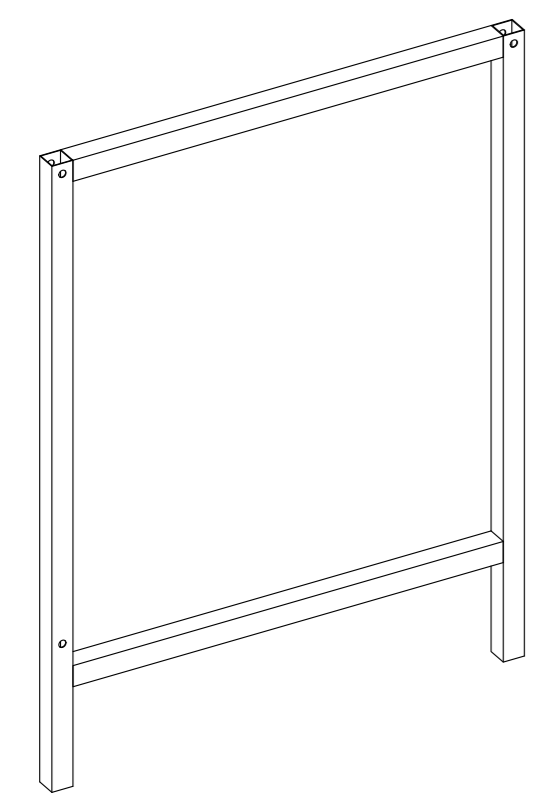


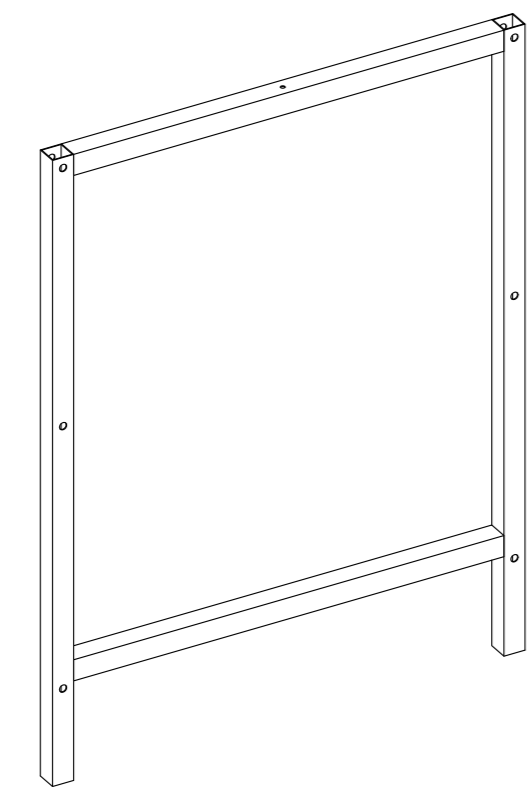
ASSEMBLY INSTRUCTION

WRITING DESK & CHAIR (3A)

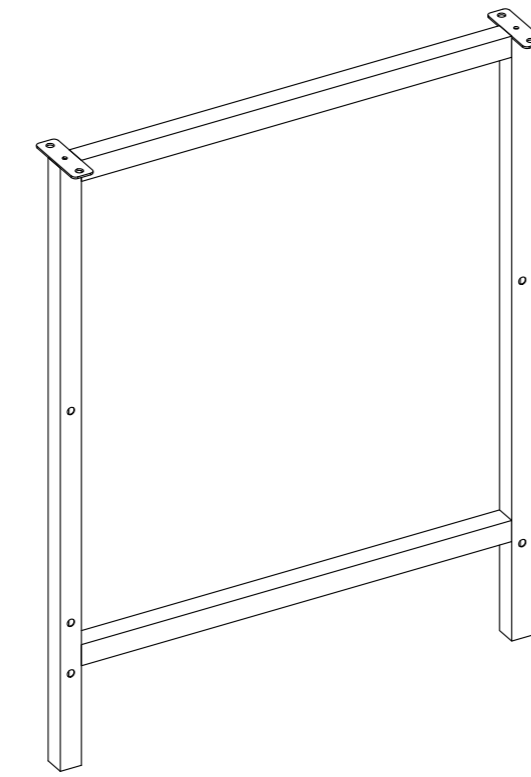
PART LIST:



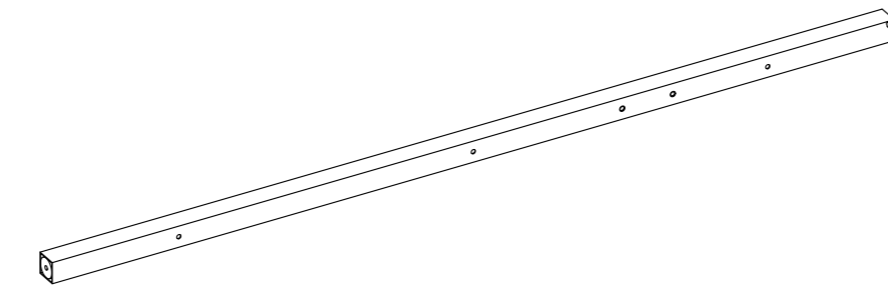
A:Desk Leg Frame,
Left
1PC



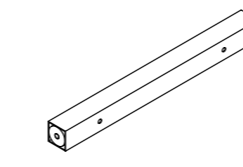
B:Desk Leg Frame
Right
1PC



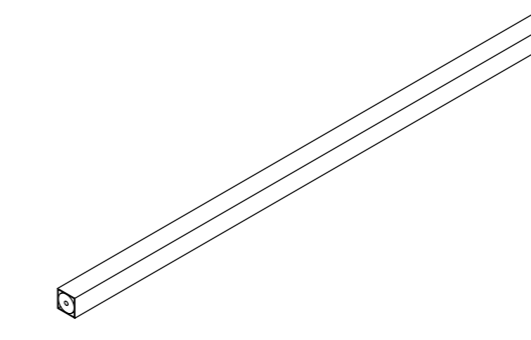
C:Desk Leg Frame,
Middle
1PCS



D:Desk Upper
Cross Bar,
2PCS

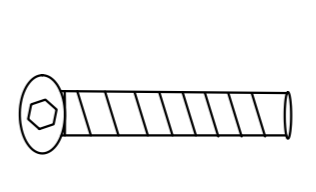
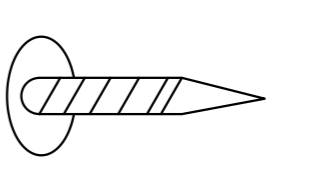
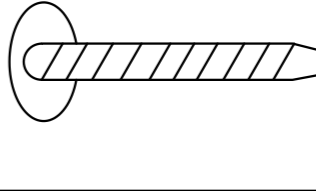
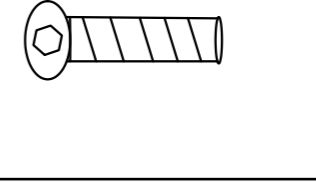
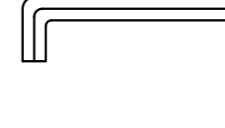


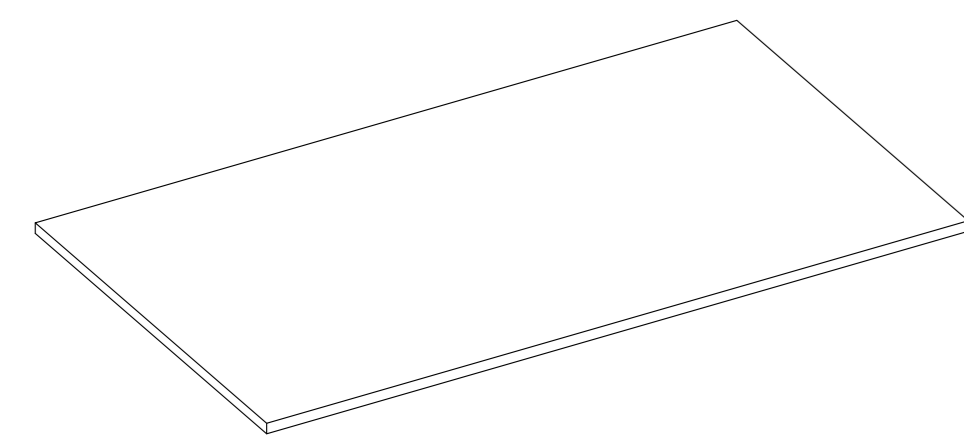
E:Desk Frame
Support Bar,
4PCS



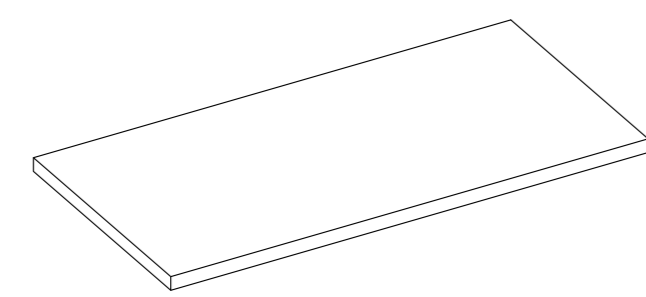
F:Desk Center
Cross Bar,
1PC

HARDWARE LIST

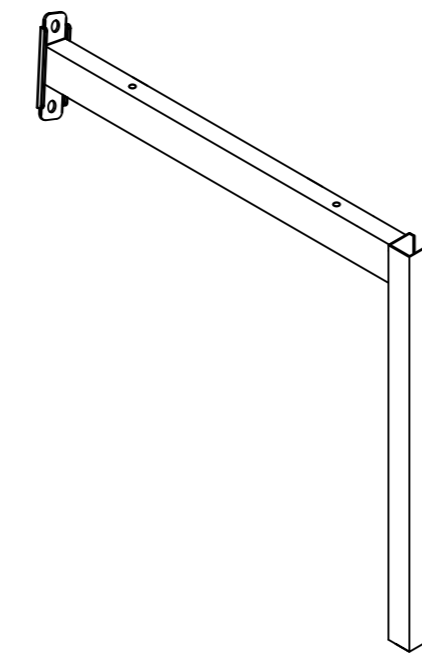
N		Bolt	1/4"*43mm	14pcs
O		Screw	M5*38mm	16pcs
P		Screw	M5*56mm	4pcs
Q		Bolt	1/4"*19mm	10pcs
R		L-Allen Key	4mm	1pcs



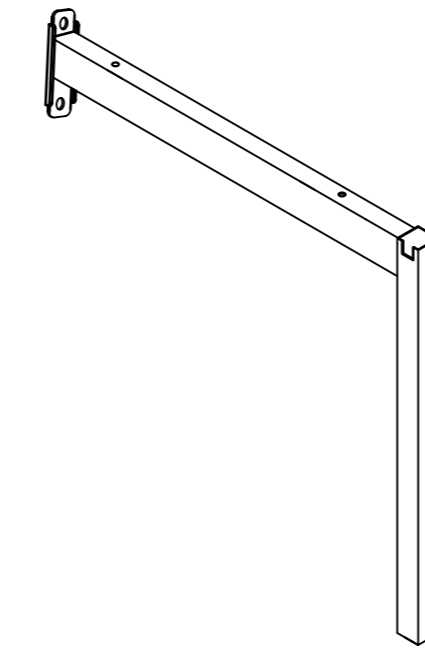
G:Desk Top
1PC



H:Desk Shelf
2PCS



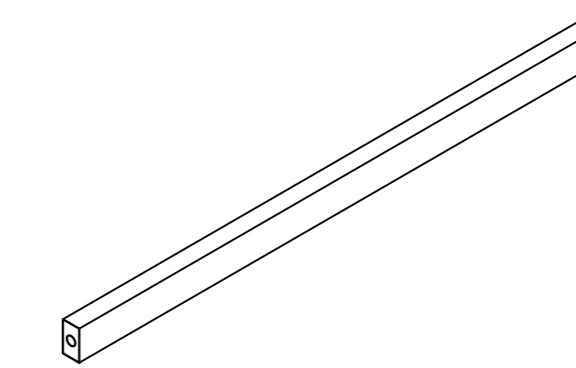
I:Chair Leg Frame,
Left
2PCS



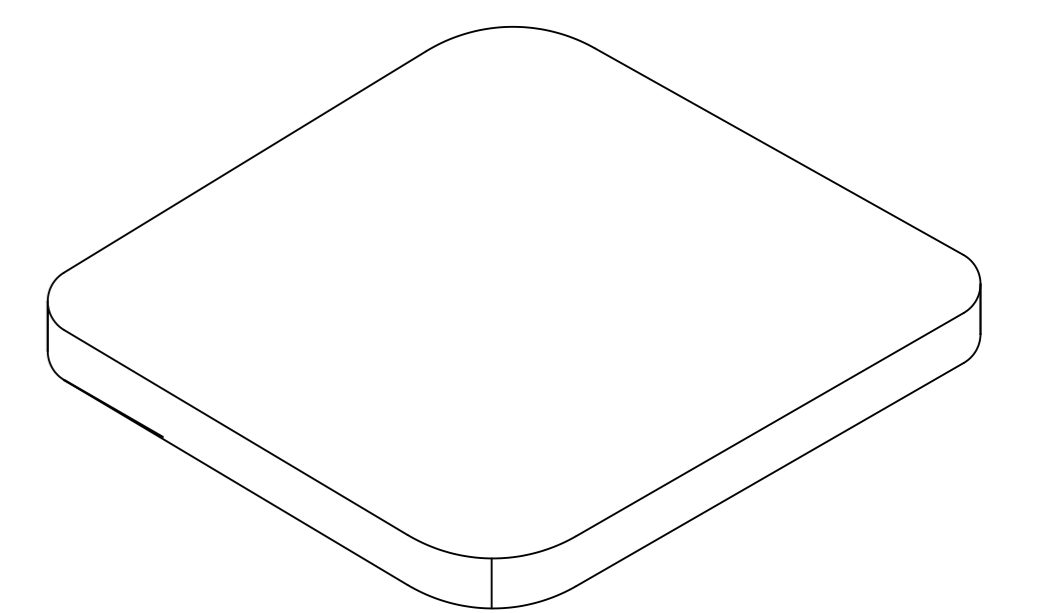
J:Chair Leg Frame,
Right
1PC



K:Chair Back
1PC



L:Chair Rail
1PC



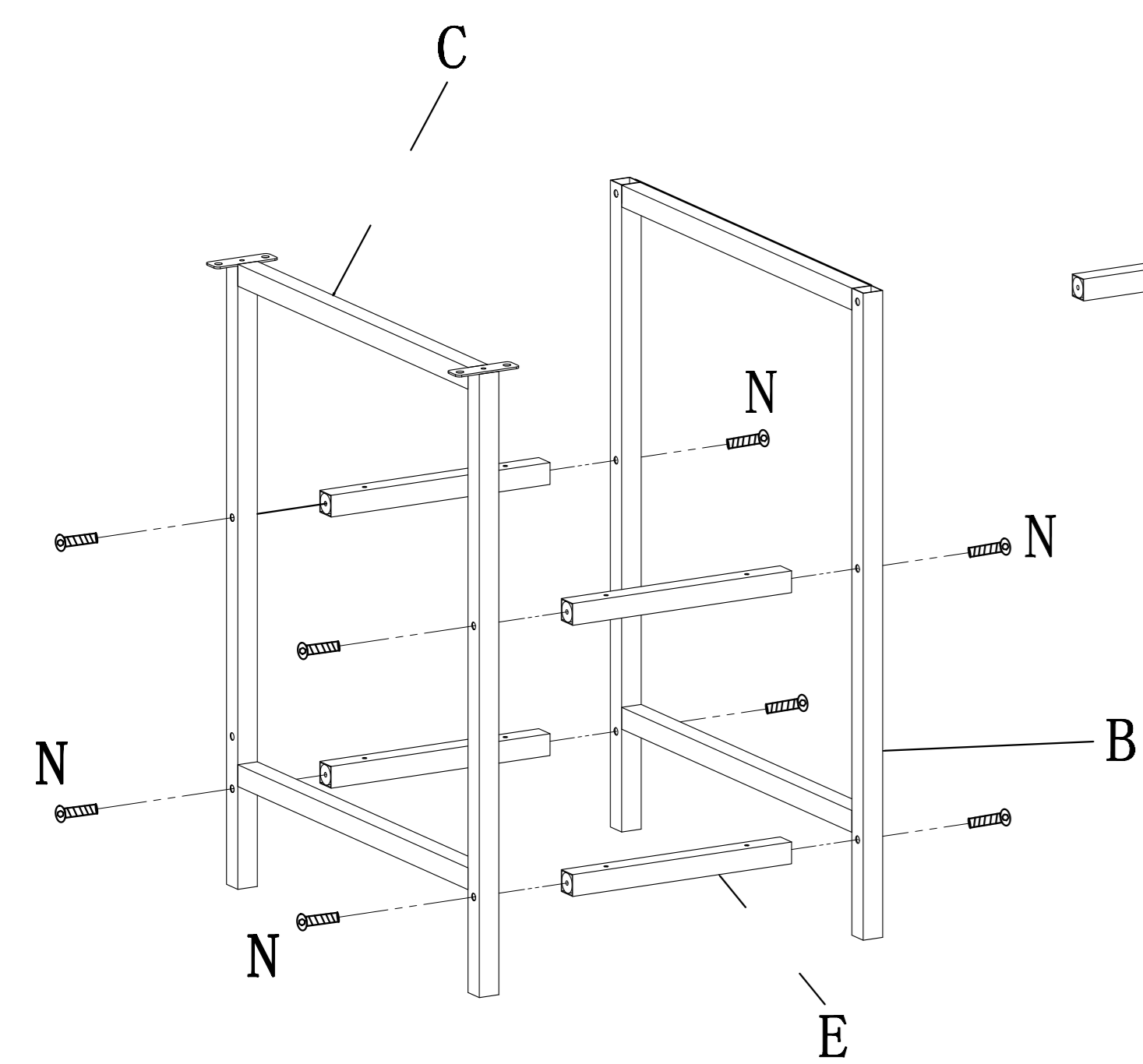
M:Seat Cushion
1PC

ASSEMBLY INSTRUCTION

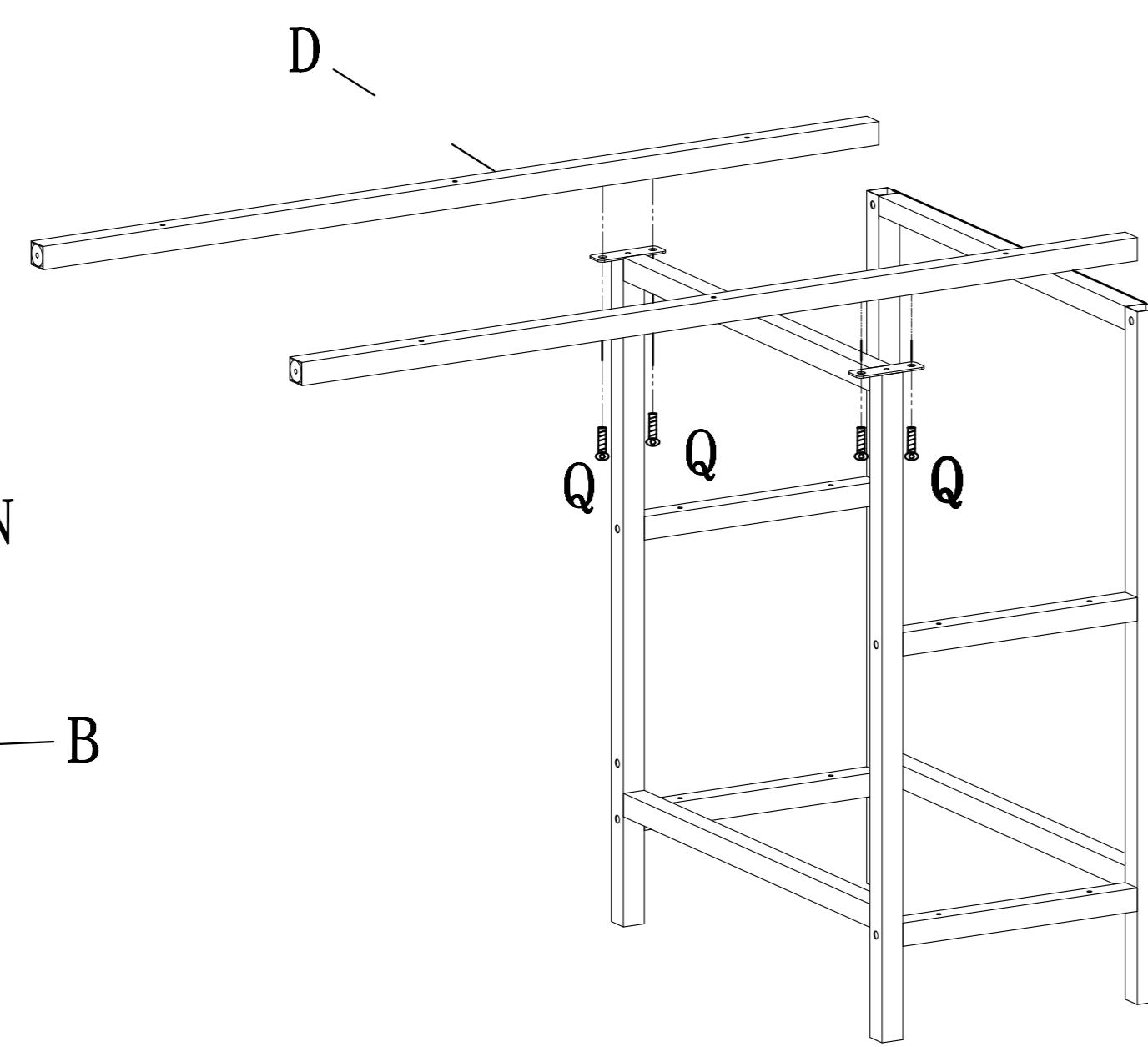
WRITING DESK & CHAIR (3A)

WRITING DESK:

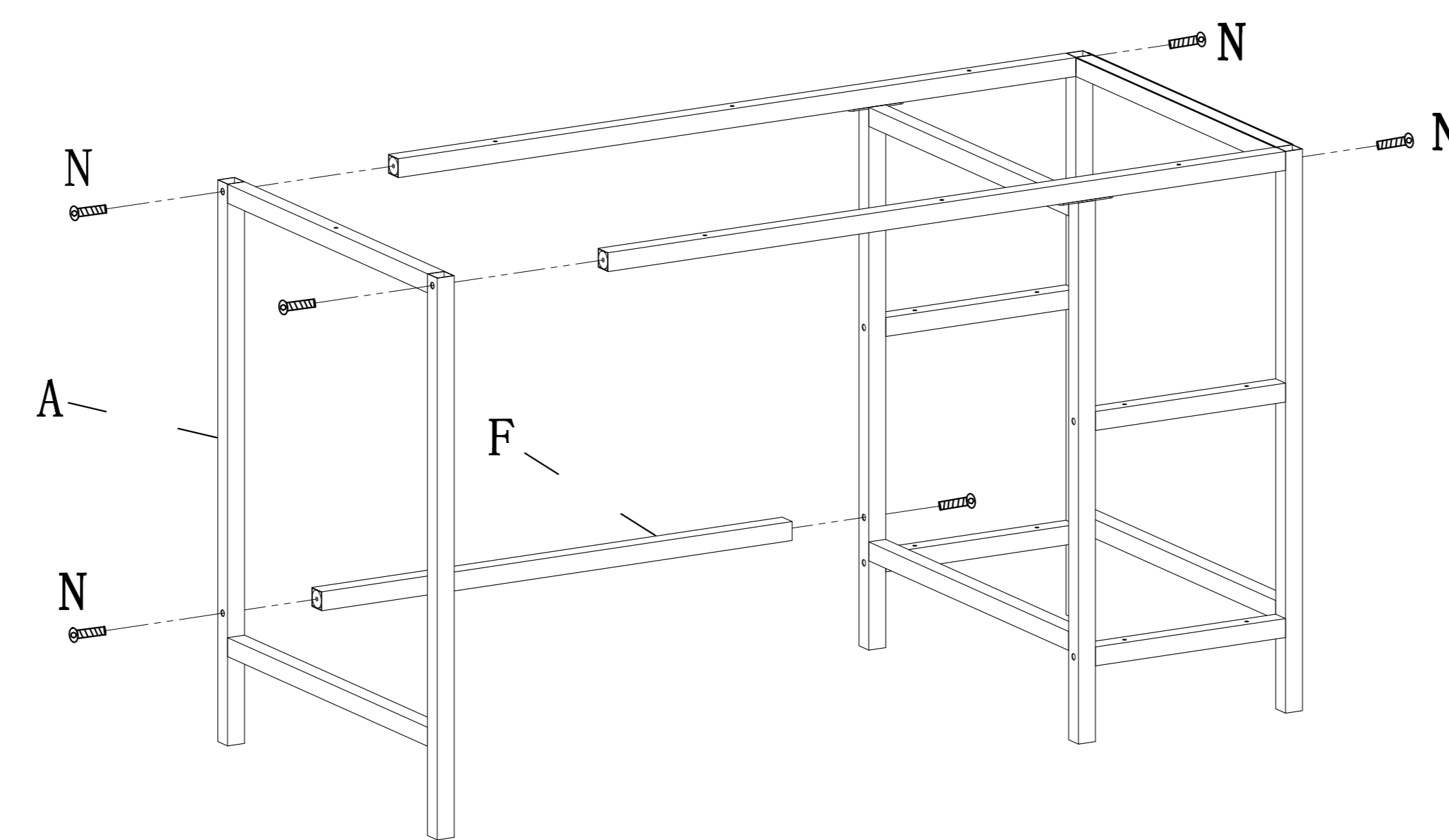
STEP 1



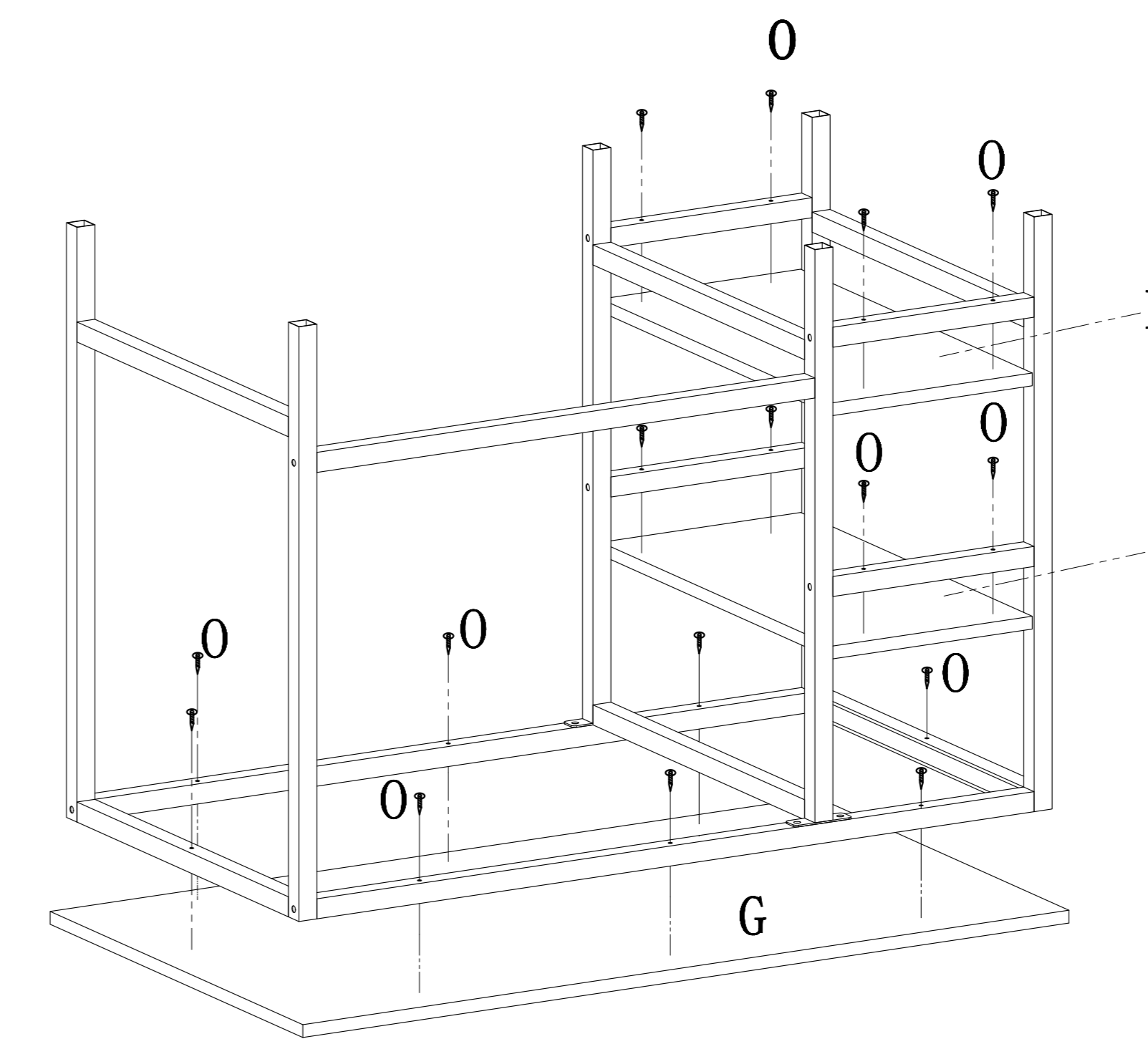
STEP 2



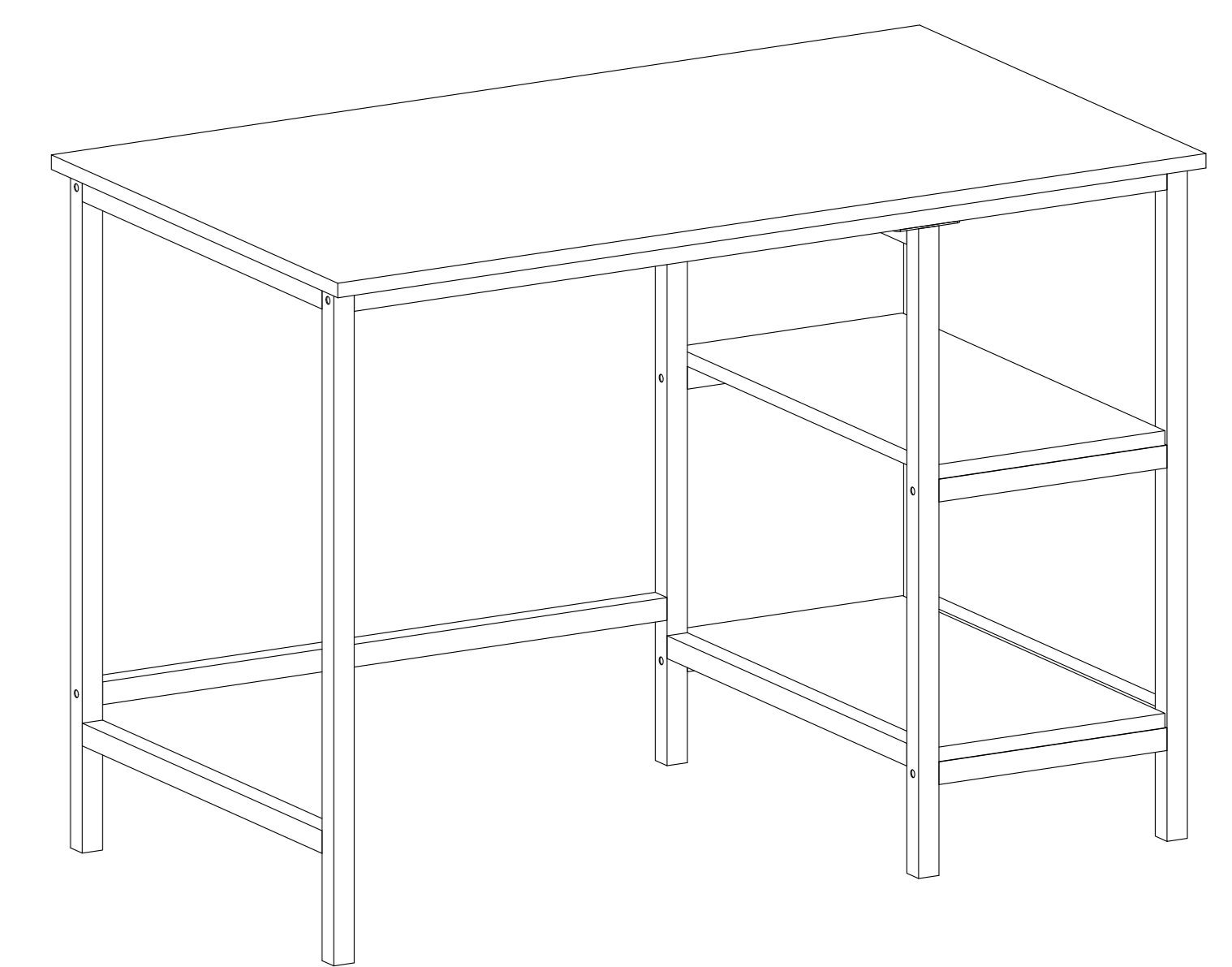
STEP 3



STEP 4

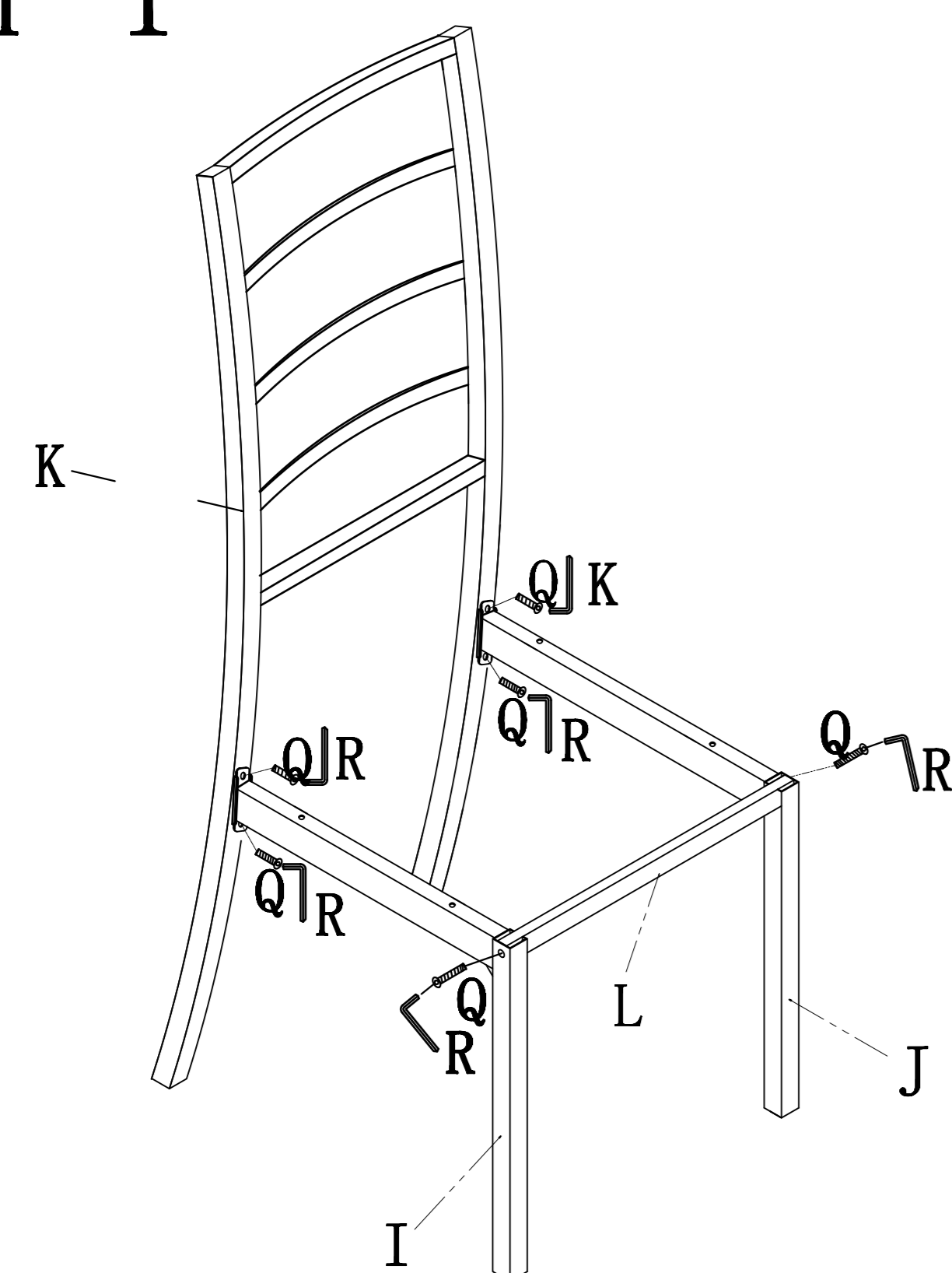


COMPLETED

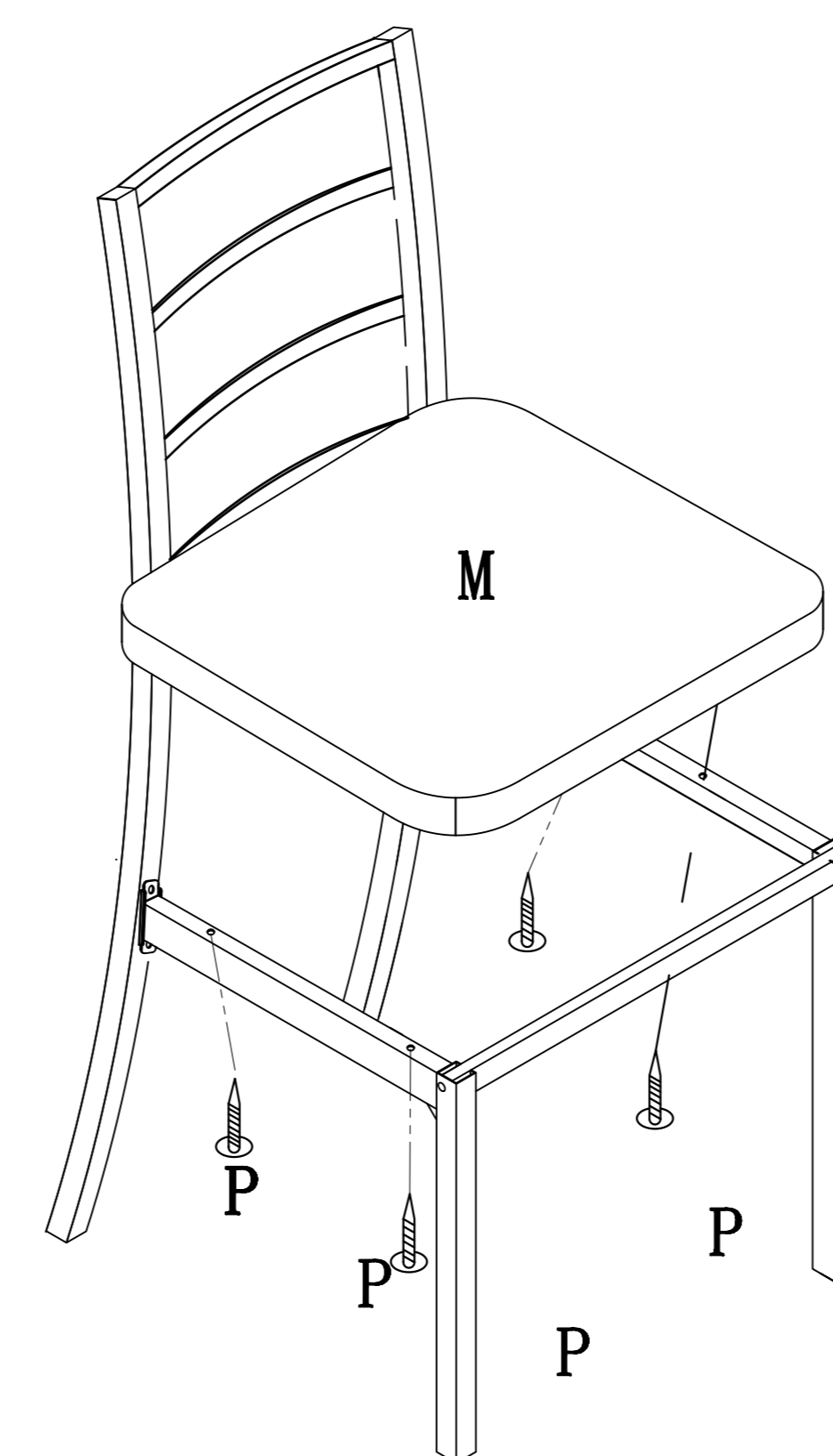


CHAIR:

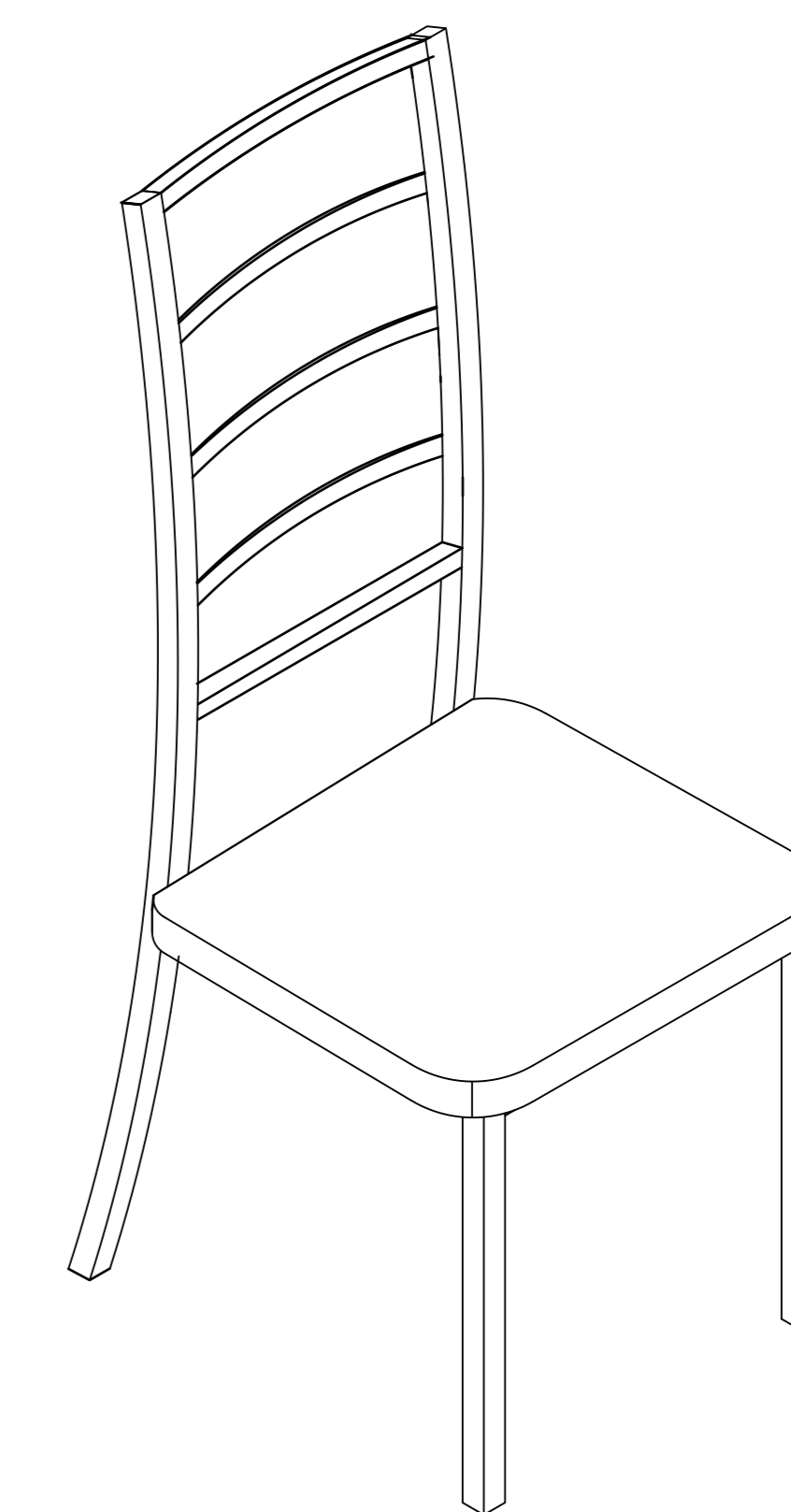
STEP 1




STEP 2



COMPLETED



 For items use on wooden floor, hard surfaces or carpets, it is recommended to Install protective pads under all legs and supports to avoid/prevent from damages/scratches and discoloration.