



transolid® kitchen sinks Aversa® Series silQ®granite ATDD3322

FEATURES

- 33" x 22" x 9½" double bowls. D-shape large bowl.
- Top mount kitchen sink. The rim of the sink sits on the countertop.
- Transolid silQ®granite sinks are by made with the union of natural granite and acrylic resin. The result gives our sinks high resistance to high temperatures, scratches, dents and chips, as well as impacts and violent shocks.
- The non-porous surface is resistant to bacteria growth and reduces the need for cleaning with harsh chemicals and is 100% food safe.
- Lifetime Limited Residential Warranty

COLORS

- 5 Colors

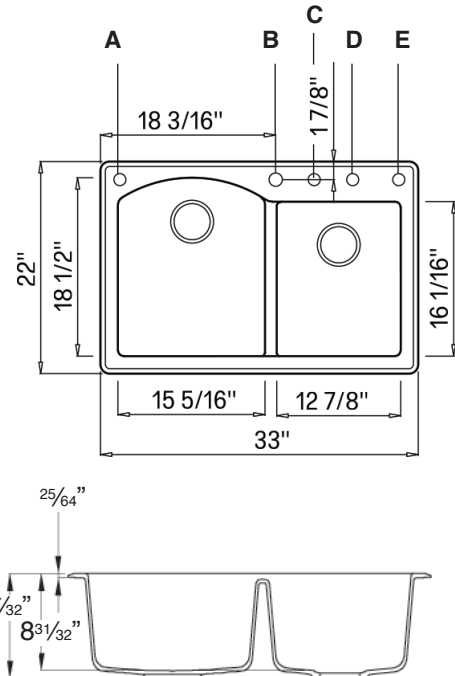
OPTIONS

- TSGADD Bottom Sink Grid Set, TCBD1619 Bamboo Cutting Board, TGCB2312 Glass Cutting Board, TRM1518 Roller Mat Trivet, TSDIK Universal Sink Drain Installation Kit, 2210 Covered Flip-Top Sink Strainer, 2310 Remote Flip-Top Sink Strainer, 4010 Covered Flip-Top Disposer Strainer, 2012 Standard Sink Strainer, 4000 Soap Dispenser. See Accesories specficiation sheets for details.



Specified Model

Model	ATDD3322
Overall Dimensions	L33" x W22" x D9½"
Left Bowl Dimensions	L15 ⁵ / ₁₆ " x W18½" x D8 ¹³ / ₁₆ "
Right Bowl Dimensions	L12 ⁷ / ₈ " x W16 ¹ / ₁₆ " x D8 ¹³ / ₁₆ "
Faucet Holes	up to 5 - must specify number of holes and hole location(s).
Shipping Weight	46 lbs.
Material	Granite
Installation	countertop mounted
Required	2 basket strainers not supplied



To Be Specified:

	COLOR
<input type="checkbox"/>	01 White
<input type="checkbox"/>	09 Black
<input type="checkbox"/>	12 Espresso
<input type="checkbox"/>	16 Cafe Latte
<input type="checkbox"/>	17 Grey

To Be Specified:

	Faucet Hole Drillings
<input type="checkbox"/>	0 Holes
<input type="checkbox"/>	1 Hole
<input type="checkbox"/>	2 Holes
<input type="checkbox"/>	3 Holes
<input type="checkbox"/>	4 Holes
<input type="checkbox"/>	5 Holes

IMPORTANT: Circle Letter(s) above to indicate location(s) for faucet hole drillings (there is a 4" spread between hole locations B,C,D. There is a 16³/₁₆" spread between hole locations A and B and a 4⁵/₆₄" spread between D and E).

KITCHEN SINKS