

TRANCE™

by

Michael Amini.

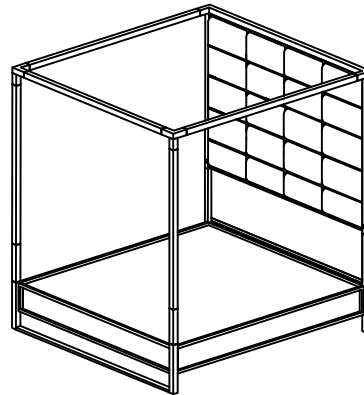
Metal Bed

9016012/22/32-116

9016014/24/34-116

9016017/27/37-116

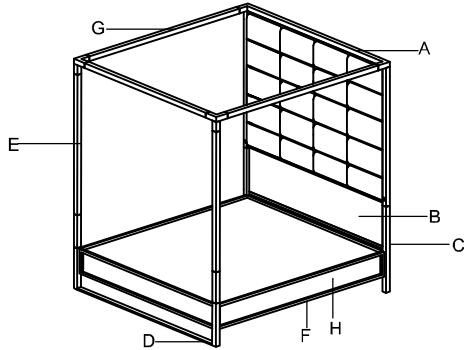
State St. Collection



Congratulations on your purchase
Rest assured only the finest materials, skilled artisans and modern
engineering were used to carefully construct this exquisite piece.

 **AICO®**
AMINI INNOVATION, CORP.
www.amini.com

Index



Metal Bed

A		1
B		1
C		1
D		1
E		1
F		2
G		2
H		2

	Assembly		Hardwares	
I	Bracket		100*22*52	2
J	Flat Washer		φ13*φ6.2*1.5	4
K	Spring Washer		φ8	4
L	Hex Bolt		M6*16	10
M	Hex Bolt		M8*16	16
N	Spring Washer		φ8	14
O	Flat Washer		φ17*φ8.2*1.5	14
P	Long Bolt for HB		16.8*16.8-M8*560	2
Q	Wrench		M10	1
R	Plastic Cover		50*50*5	4
S	Long Bolt for		16.8*16.8-M10*460	2
T	Bracket		255*88*30	4
U	Hex Bolt		M8*45	12
V	Hex Bolt		M8*30	8
W	Wood screw		ST4*15	24
X	screw		φ10*30	5
Y	Hanging Bracket		840*53*21	1
Z	Wood screw		ST4*40	5
A1	Screw		M10	4

NOTE: Inpect all packing material for small parts, which may have come loose during shipment, identify and compare all parts against the parts list.

Figure 1

Instructions

Figure 1

1. Insert P (Long Bolt) into A(Top Headboard Frame)and tighten up,
- 2.Insert B(Bottom Headboard) to A (Top Headboard Frame) and tighten up P(Long screw) by inserting A1(screw) with Q(Wrench),Then cover on the foot with R(Plastic Cover) as shown.

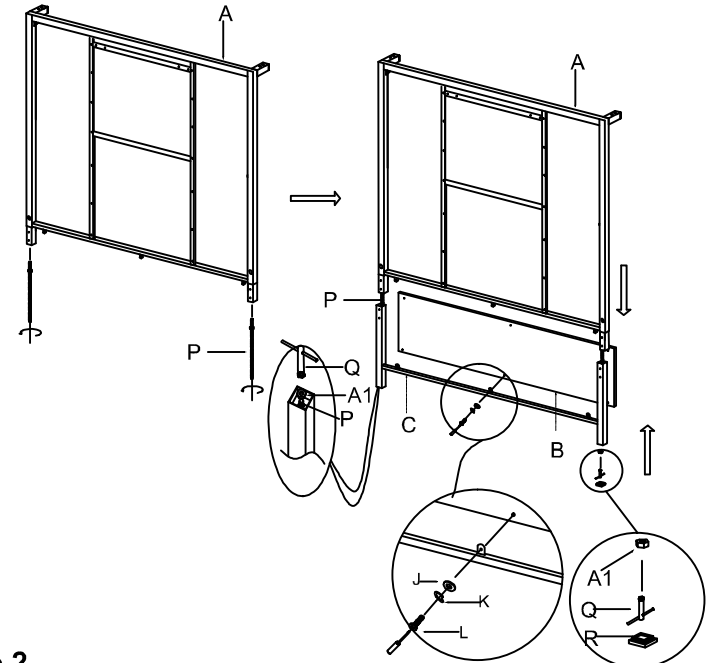


Figure 2

Instructions

Figure 2

- 1.Insert S(Long Bolt) into E (Acrylic Post) and tighten up.
- 2..Insert E(Acrylic post) into D(Footboard) and tighten up S(Long screw) by inserting A1(screw) with Q(Wrench),Then cover on the foot with R(Plastic Cover) as shown.

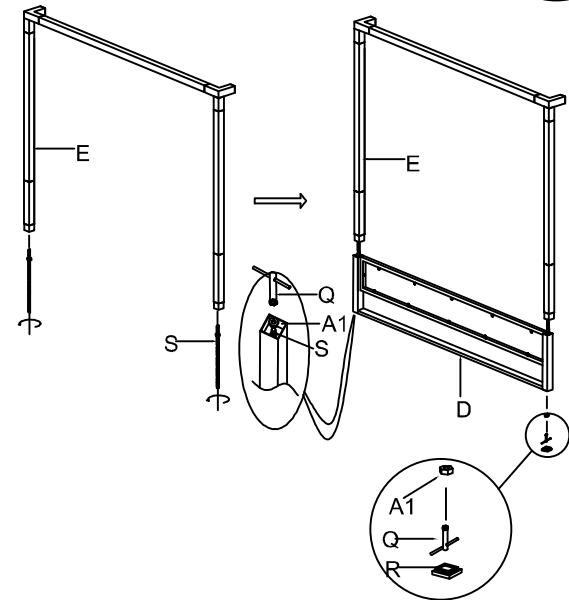
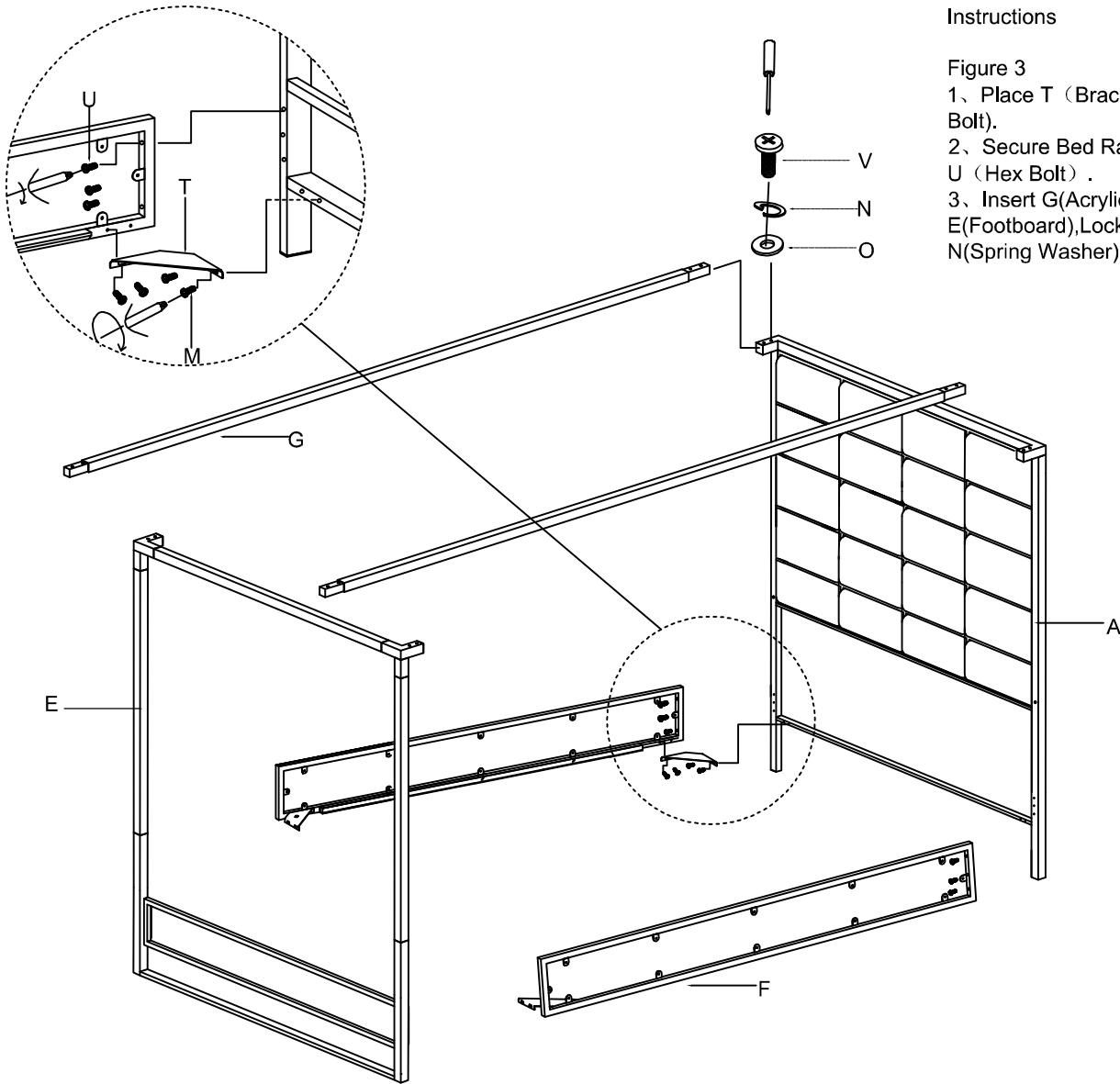


Figure 3

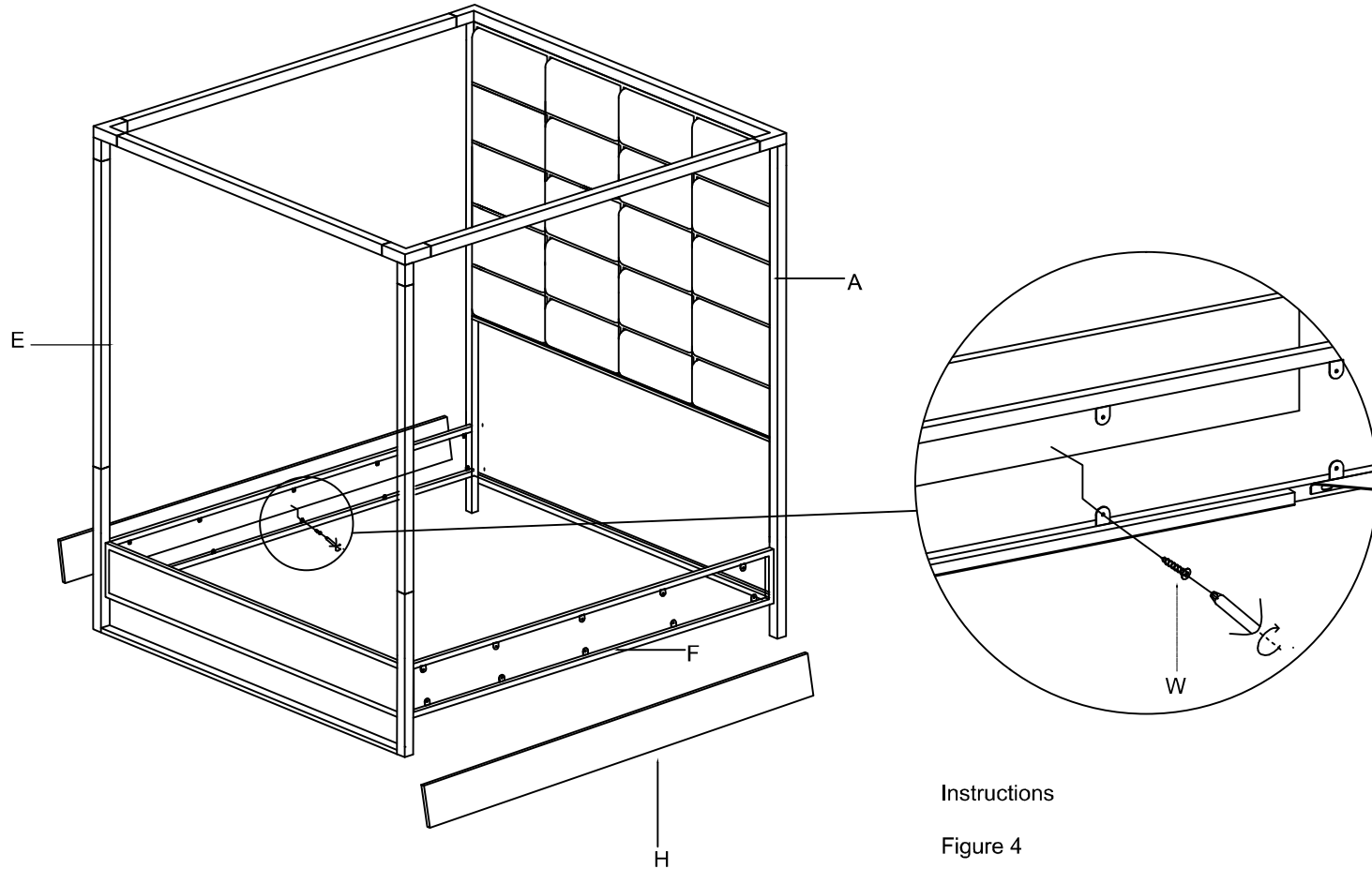


Instructions

Figure 3

- 1、 Place T (Bracket) at each corner of Bed by inserting M(Hex Bolt).
- 2、 Secure Bed Rail Frames to Headboard/Footboard with U (Hex Bolt) .
- 3、 Insert G(Acrylic Canopy) into A(Headboard) and E(Footboard),Lock it from the Top by inserting O(Flat Washer)& N(Spring Washer) & V(Hex Bolt).

Figure 4



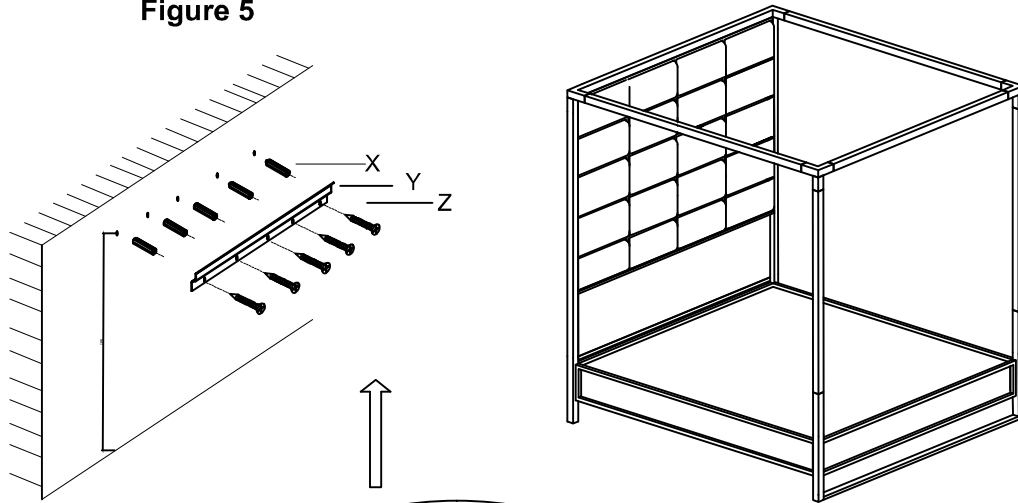
Instructions

Figure 4

1. Secure H (Bed Rail Panel) into F (Rail Frame) by inserting W (Wood Screw) and tighten up.

Optional

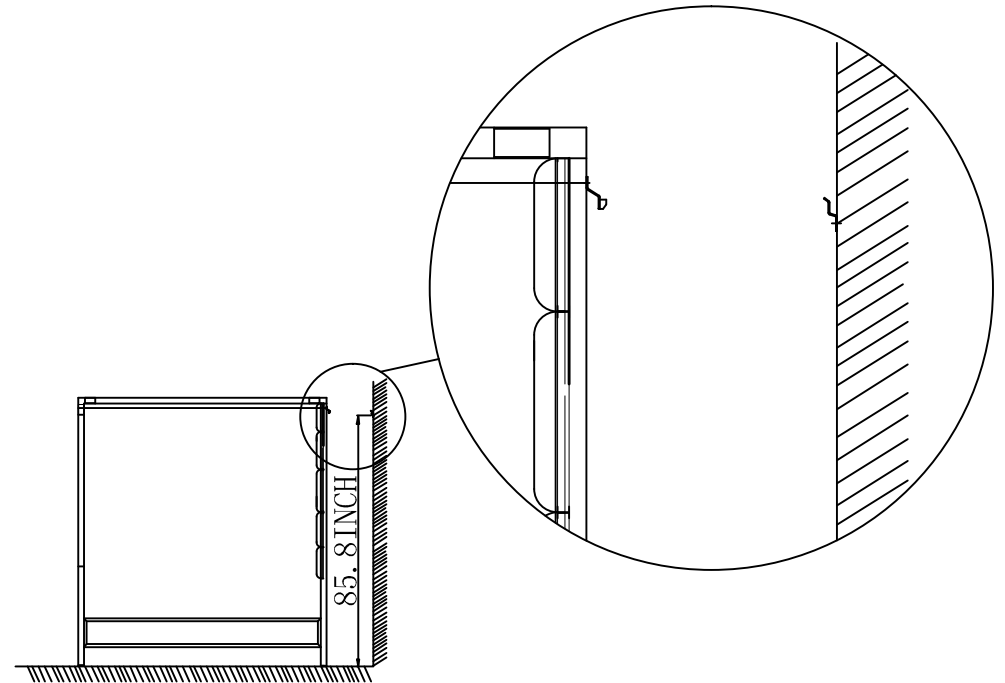
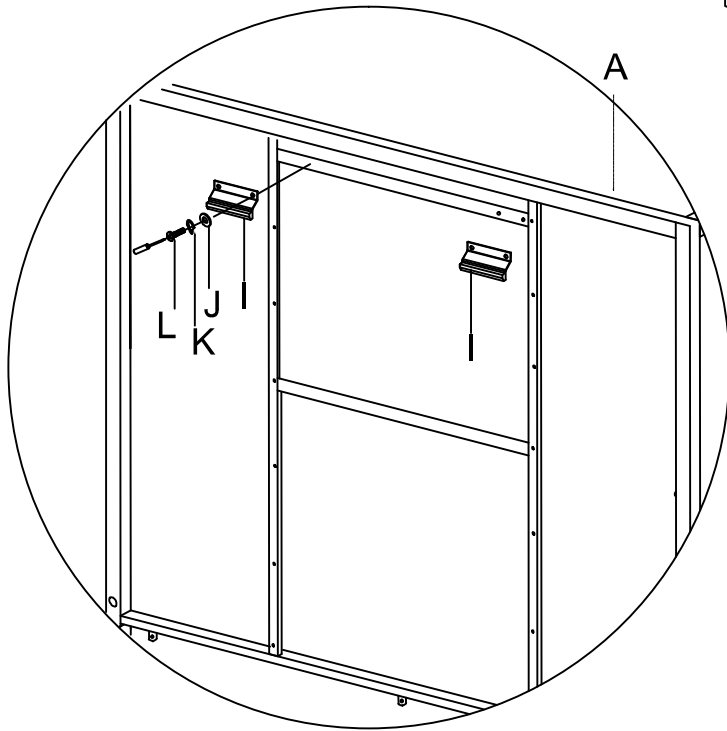
Figure 5



Instructions

Figure 5

1. Place I (Bracket) on A by inserting K (Spring Washer) & L (Hex Bolt) & M (Hex Bolt) and tighten up.
2. Drill holes on the wall and secure X (Screw) into the holes.
3. Fix Y (Hanging Bracket) on the wall by inserting Z (Wood screw).
4. Hanging A (Top Headboard Frame) into Y (Hanging Bracket).



Slat System

Figure 1

1、 Adjust 3 slats to fit inside of Bed Frame

Figure 2

1、 Insert A(Length Feet) and B(Length Feet) into D(Leg Bracket).

2、 Insert F(Bolt) through D(Leg Bracket) and C(Metal Foot) and fasten with G(Wing Nut).

3、 Adjust E(Adjustable Glide) to approximately 1/4" off floor before installing box spring and mattress.

Figure 1

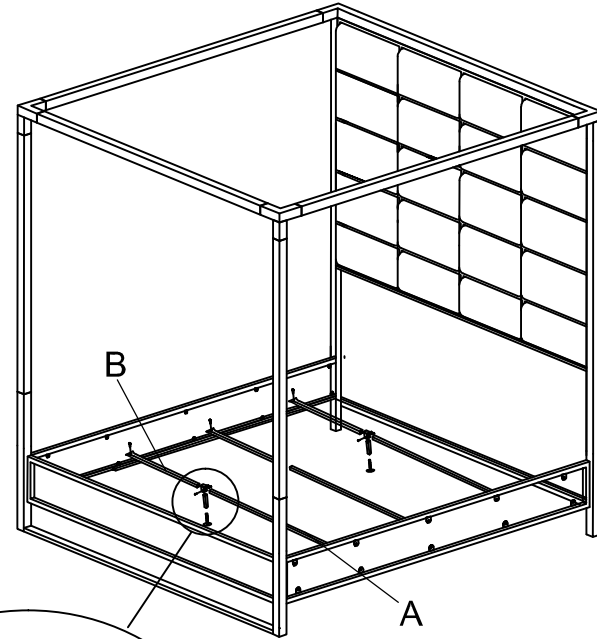
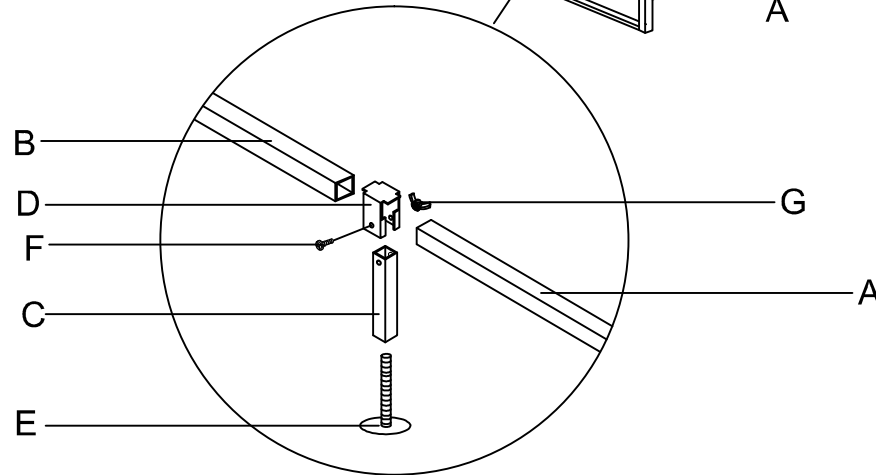

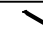








Figure 2



Metal Bed		
A		3
B		3
C		3

Assembly Hardwares				
D	Leg Bracket		55*43*28	3
E	Adjustable Glide		φ50*5-m6*80	3
F	Bolt		M6*35	3
G	Wing Nut		M6	3
H	Wood Screw		ST4*20	6

NOTE: Inspect all packing material for small parts, which may have come loose during shipment, identify and compare all parts against the parts list.