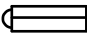












DIY Pipe Shelf Assembly Instruction
SKU: PIPE-DIY-SHELF-60



Please check all packing material carefully before discarding, as some parts may be encased in the packing material.adults assembly is recommended.

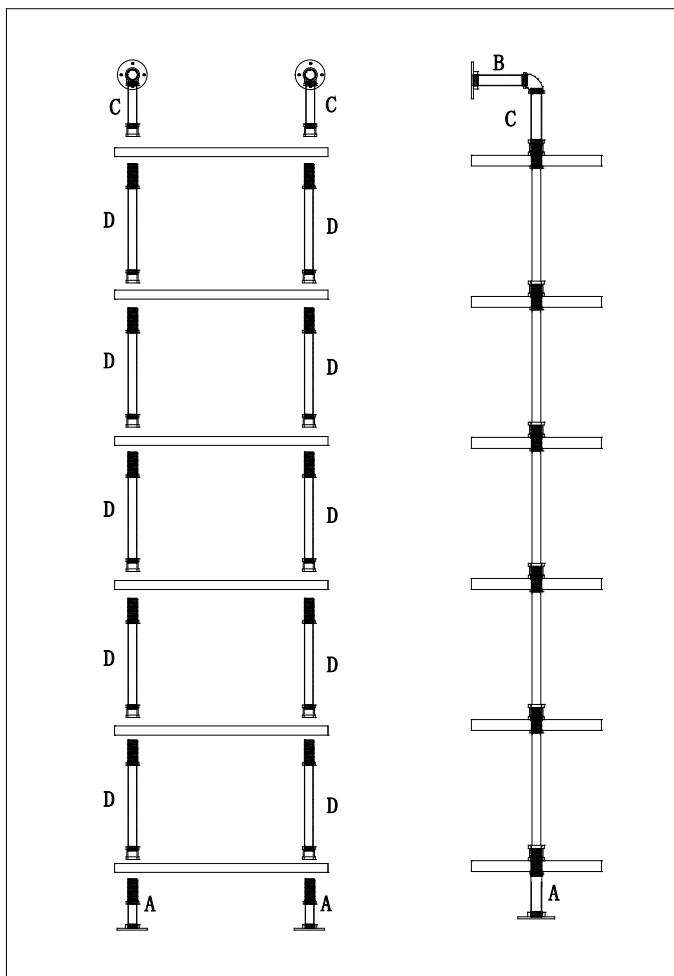
Parte:

 Expansion rubber plug x 16pcs	 Pan head tapping screw M5X30X16pcs	 Flange plate x 4pcs	 Straight connect plate x 12pcs	 90° Knee-joint x 2pcs
 Wooden board x 6pcs		 Positioning support x12pcs	A  Pipe $\phi 32 \times 135 \text{mm}$ X 2pcs	B  Pipe $\phi 32 \times 110 \text{mm}$ X 2pcs
C  Pipe $\phi 32 \times 130 \text{mm}$ X 2pcs	D  Pipe $\phi 32 \times 305 \text{mm}$ X 10pcs			

Steps:

- 1) Assemble the shelf step by step according to the diagram in the instruction manual.
- 2) Connect the pipes together.
- 3) Fix the position and mark by a pen on the wall.
- 4) Use an electric drill to drill the 4 holes on the wall for each flange plate,the size of the hole is $\varnothing 7 \times 25 \text{mm}$.
- 5) Place an expansion rubber plug into each hole on the wall, the size of the plug is $8 \times 25 \text{mm}$.
- 6) Use a pan head tapping screw to screw the flange plate to the hole on the wall, the size of the screw is M5 X 30mm.

The warning sticker on the furniture is a mandatory requirement in Australia,and it can be removed by wet cloth.

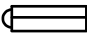








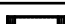
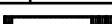


DIY Pipe Shelf Assembly Instruction
SKU: PIPE-DIY-SHELF-60



Please check all packing material carefully before discarding, as some parts may be encased in the packing material.adults assembly is recommended.

Parte:

 Expansion rubber plug x 16pcs	 Pan head tapping screw M5X30X16pcs	 Flange plate x 4pcs	 Straight connect plate x 12pcs	 90° Knee-joint x 2pcs
 Wooden board x 6pcs		 Positioning support x12pcs	A  Pipe $\phi 32 \times 135 \text{mm}$ X 2pcs	B  Pipe $\phi 32 \times 110 \text{mm}$ X 2pcs
C  Pipe $\phi 32 \times 130 \text{mm}$ X 2pcs	D  Pipe $\phi 32 \times 305 \text{mm}$ X 10pcs			

Steps:

- 1) Assemble the shelf step by step according to the diagram in the instruction manual.
- 2) Connect the pipes together.
- 3) Fix the position and mark by a pen on the wall.
- 4) Use an electric drill to drill the 4 holes on the wall for each flange plate,the size of the hole is $\varnothing 7 \times 25 \text{mm}$.
- 5) Place an expansion rubber plug into each hole on the wall, the size of the plug is $8 \times 25 \text{mm}$.
- 6) Use a pan head tapping screw to screw the flange plate to the hole on the wall, the size of the screw is M5 X 30mm.

The warning sticker on the furniture is a mandatory requirement in Australia,and it can be removed by wet cloth.

