



Designart Chair-D Instructions

Thank you for your order!

Please note that each and every sale of DesignArt artwork, be it an oil painting, canvas art print, metal art, wood art, bedding, curtains, decorative chairs, bar-stools, cushions, decorative ottomans, designed clock or one of our textile items supports an artist and allows them to live through their passion.

Every DesignArt creation started with an artist's inspiration. A vision of what could be where nothing currently is. The deep desire to express one's own creativity and share it with the world. Through our many product lines, DesignArt allows artists and designers to express their ideas and creativity across many mediums.

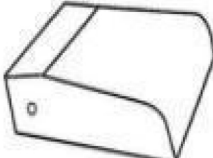
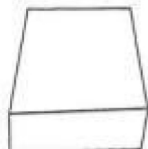
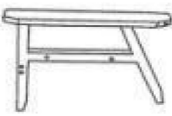
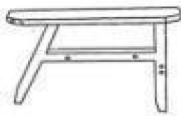


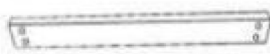


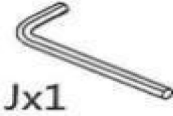


IMPORTANT – FOR CHAIR FABRIC CARE

PLEASE ONLY USE AN UPHOLSTERY CLEANER ON THE CHAIR

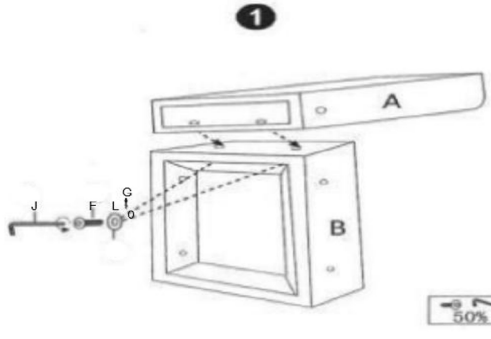
FABRIC 😊

SHARING IS CARING

WIN A FREE DESIGNART PRODUCT OF YOUR CHOICE!

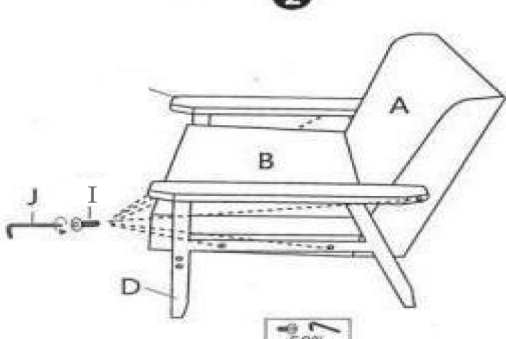
<p>Ax1</p> 	<p>Bx1</p> 	<p>Cx1</p> 	<p>Dx1</p> 	<p>L x 2</p> 	<p>G x 2</p> 
<p>E x 1</p> 	<p>I x 6 M8 x 50</p> 	<p>K x 4 M6 x 30</p> 	<p>Jx1</p> 	<p>H x 10</p> 	<p>F x 2 M8 x 60</p> 

1



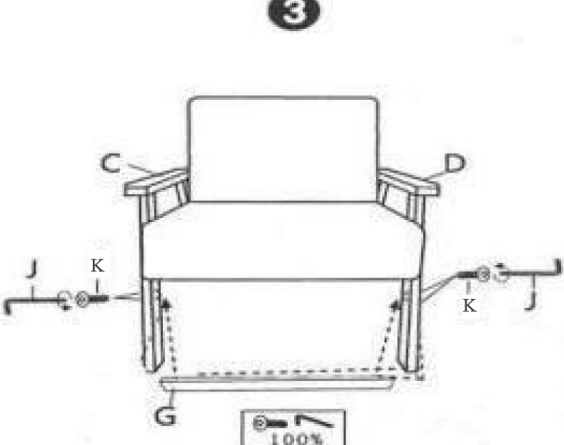
PLEASE ONLY TIGHTEN THE SCREW 50% UNTIL STEP 3 IS

2



PLEASE ONLY TIGHTEN THE SCREW 50% UNTIL STEP 3 IS

3



PLEASE ADD **PART - F** AND THEN TIGHTEN ALL SCREWS FROM STEP 1, 2 & 3 TO A 100%

4



5

