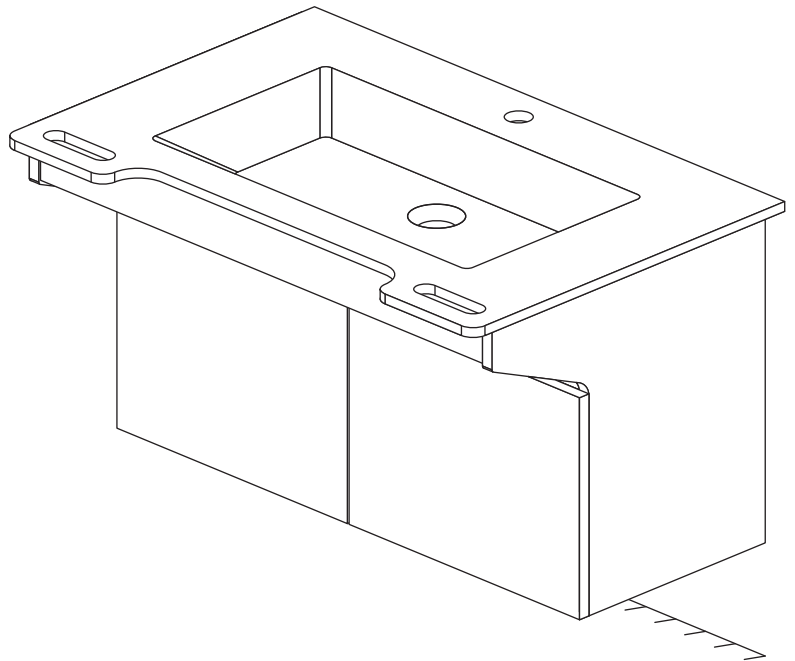


# Bathroom Vanity

Easy to install with all holes are pre-drilled.

PLEASE READ THROUGH THIS INSTALLATION GUIDE CAREFULLY BEFORE INSTALLING THIS PRODUCT.



	<p>This product contains small items that could be a choking hazard if swallowed. Please keep items away from young children.</p>
	<p><b>Wear Safety Goggles</b> Refer to manufacturer's safety instructions when operating any tools.</p>

**Part List** | Thank you for purchasing our product. In the package, you will find items as below.

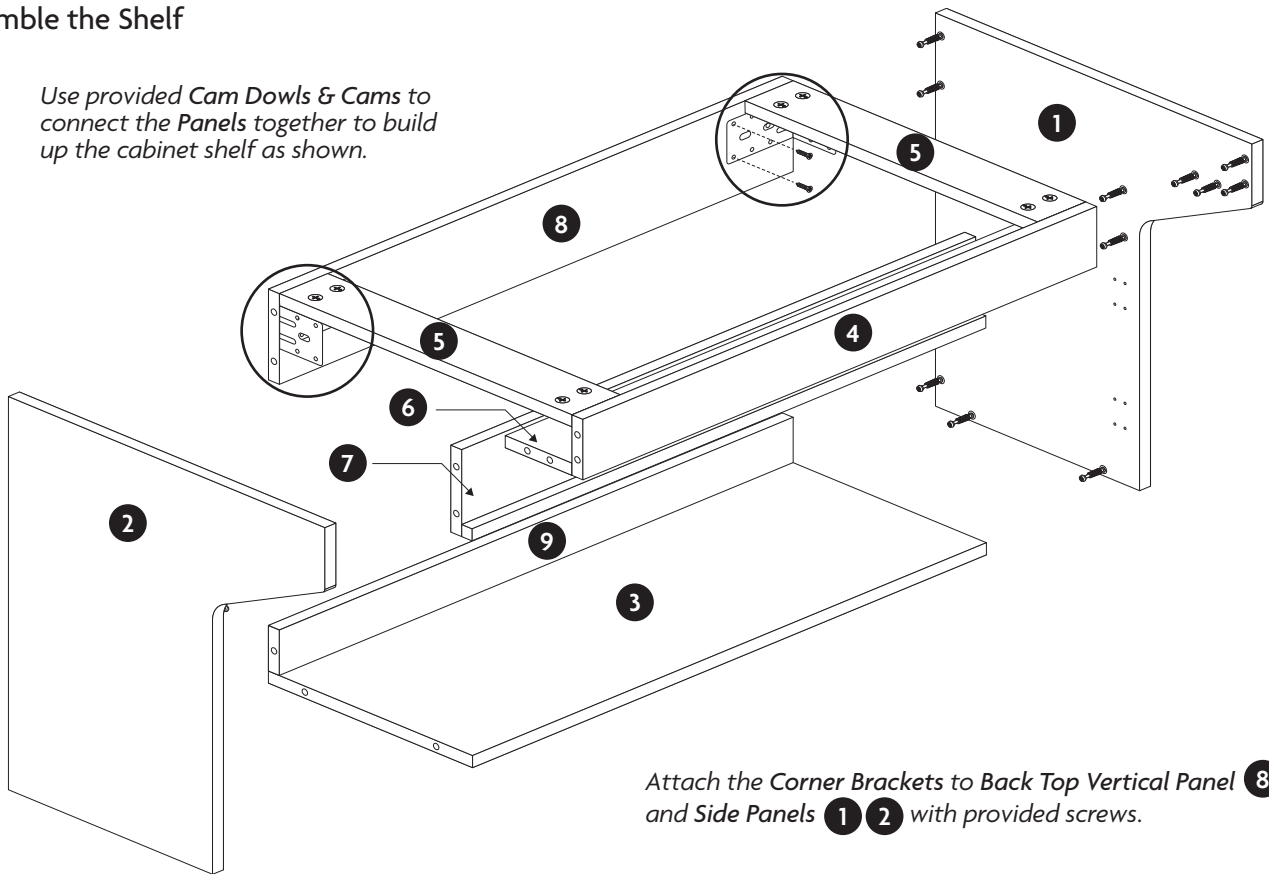
<b>0</b>	<b>1</b>	<b>2</b>	<b>3</b>	<b>4</b>	
Door Vertical Panel x2	Side Right Vertical Panel x1	Side Left Vertical Panel x1	Bottom Horizontal Panel x1	Front Top Vertical Panel x1	
<b>5</b>	<b>6</b>	<b>7</b>	<b>8</b>	<b>9</b>	
Side Top Horizontal Panel x2	Front Top Horizontal Panel x1	Front Middle Vertical Panel x1	Back Top Vertical Panel x1	Back Bottom Vertical Panel x1	
Top Vanity x1	Cam&Cam Dowel x34	Corner Bracket x2	Door Hinge x4	Screw x44	Expansion Bolt x2

# Assemble the Cabinet

## 1.1 Assemble the Shelf



Use provided Cam Dowls & Cams to connect the Panels together to build up the cabinet shelf as shown.

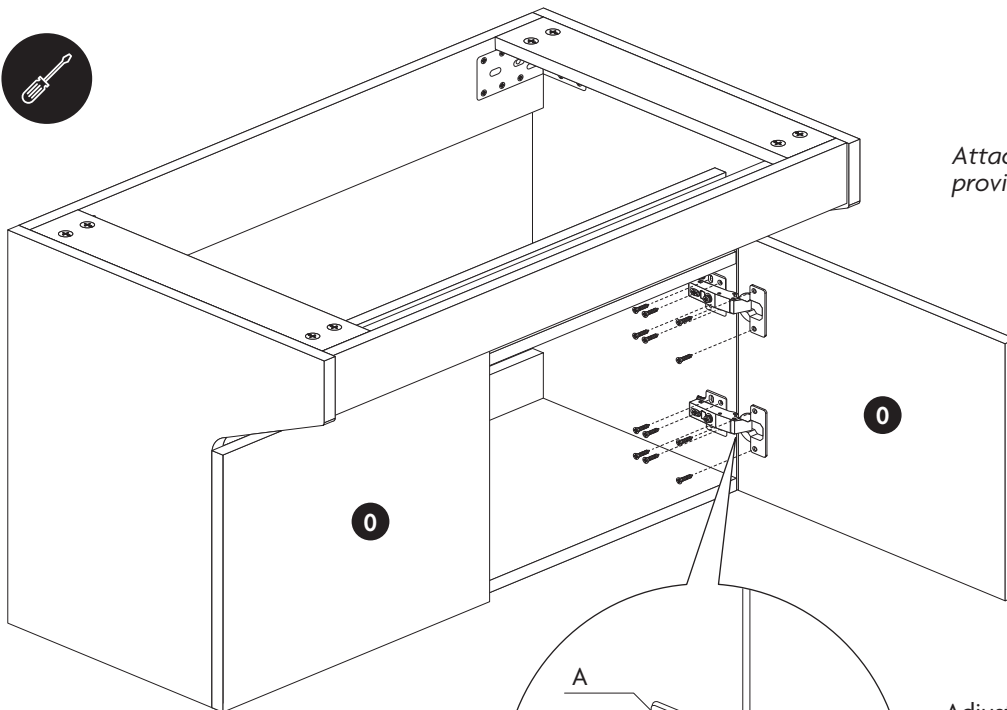


Attach the Corner Brackets to Back Top Vertical Panel **8** and Side Panels **1** **2** with provided screws.

## 1.2 Attach the Door Panel to Shelf



Attach the doors to the shelf by using provided Door Hinges and Screws.

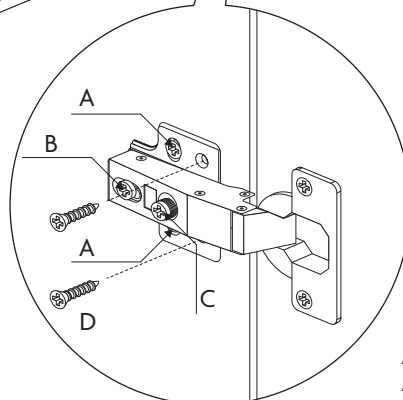


### B: DEPTH ADJUSTMENT

Loosen Screw B to move door inward or outward, then retighten.

### A: HEIGHT ADJUSTMENT

Loosen Screws A to move door up or down, then retighten.



Adjust the hinges to ensure the alignment by screwdriver.

### C: SIDE ADJUSTMENT

Turn Screw C clockwise or anticlockwise to move door sideways or level.

After the Height/Depth/Side Adjustment, tighten the Screws D.

## Mount the Cabinet to Wall

### 2.1 Attach the Cabinet to wall

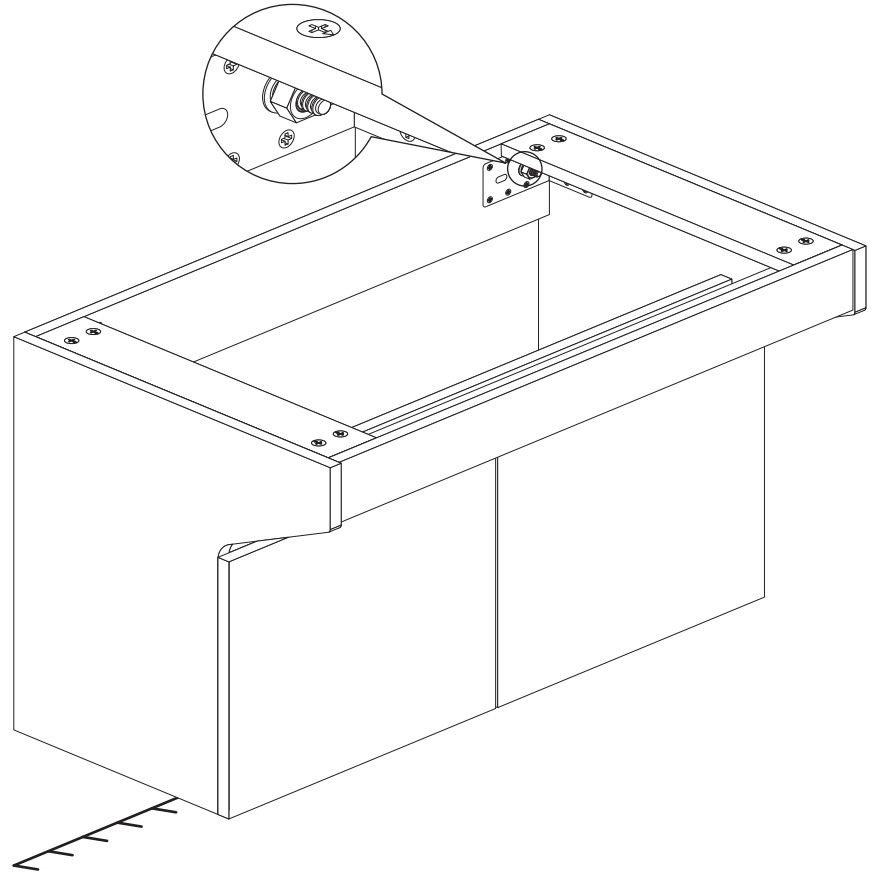


Mount the cabinet to the wall by using the provided Expansion Bolts through the 2 pre-drilled through holes on Back Top Vertical Panel.

Before mounting cabinet, using a spirit level to ensure that the cabinet will be level and plumb on all side.

Use a measure tape to determine the hole location marks spacing on the wall will be same as on cabinet.

**NOTICE:** as this vanity is ADA Compliant, please considering the height of the wheelchair pedals to determine the vanity mounting height.

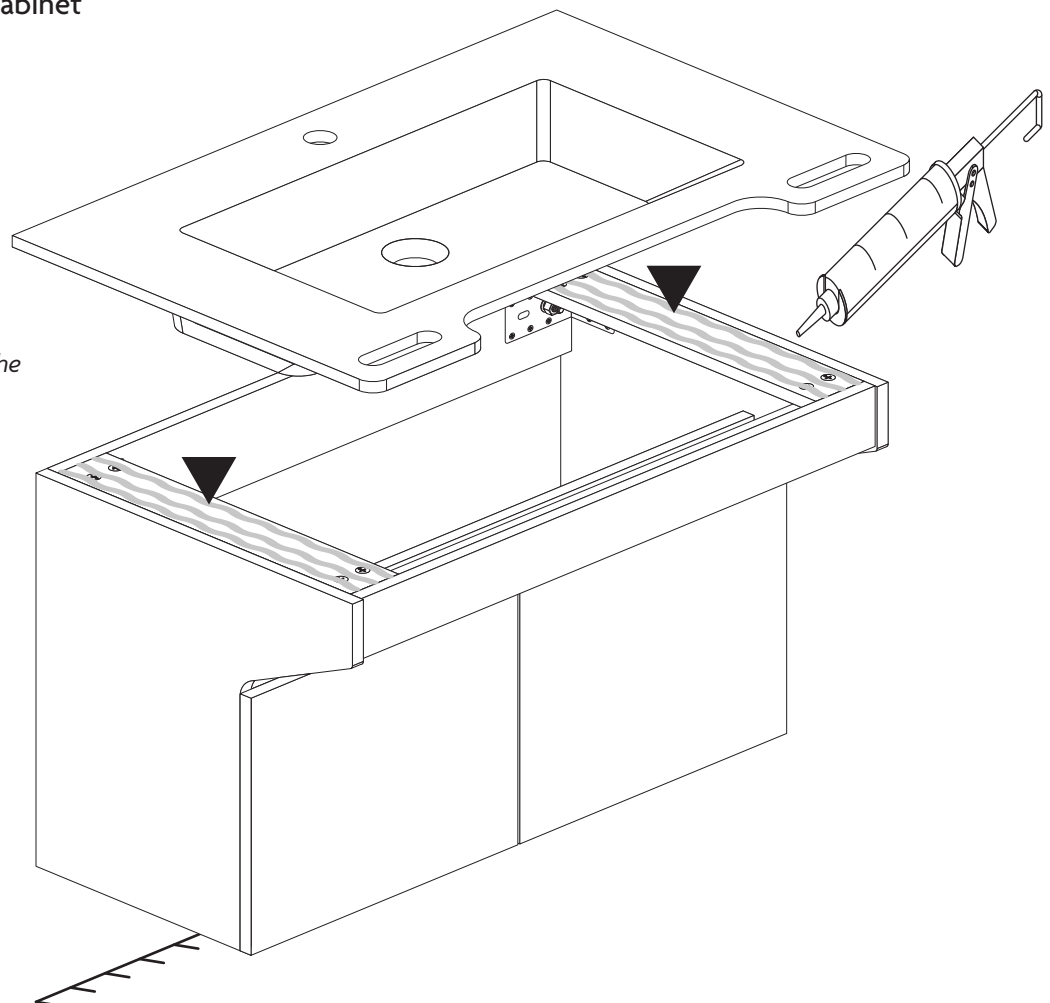


## Secure the Top Vanity

### 3.1 Secure the Top Vanity to Cabinet



Fit the Top to Cabinet by sealing the Side Top Horizontal Panels with a non-acidic silicone.



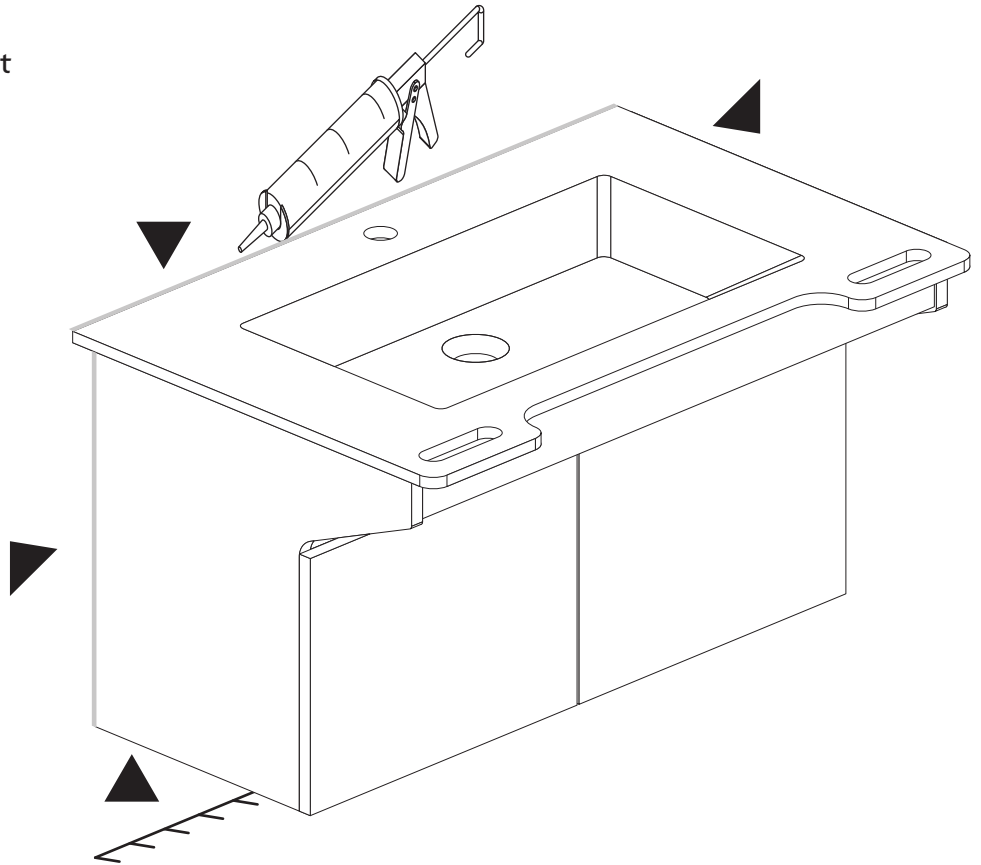
---

## Seal the Vanity to the Wall

### 3.1 Secure the Top Vanity to Cabinet



*Apply silicone on the seam between the edge of the vanity and the wall. Smooth the bead, and allow to cure before use.*



---

## Cleaning & Care

The best method of maintaining the finish is simply to wipe over with a clean, soft cloth. It is important that no abrasive cleaners or wax-based creams are used as this can result in a build-up of deposits/scratches that will detract from the appearance.

### Scratches

Avoid contact with hard, sharp objects. Should scratches occur on gloss lacquered cabinets, fine marks can be removed using a cutting compound normally used for car re-treatment, followed by buffing with a car polish and a clean, soft cloth.

### Chemical Damage

Spills of some products such as hair lacquer, after-shave lotion, nail polish and remover, mineral turpentine, white spirit, kerosene, aerosol propellants and insecticides should be removed immediately by cleaning the product with a soft cloth.

### Burns

Avoid placing hot objects, such as hair straighteners, curling tongs or lit cigarettes on any surface as these will cause discolouration and marking. Should slight accidental damage occur, it may be possible to remove marks with the same approach as for scratches.

### Discoloration

Hair dye, bleaches, boot polish and similar chemicals will discolour the surface if not removed immediately. Provided the discoloration is not severe, restore the surface as described for scratches.