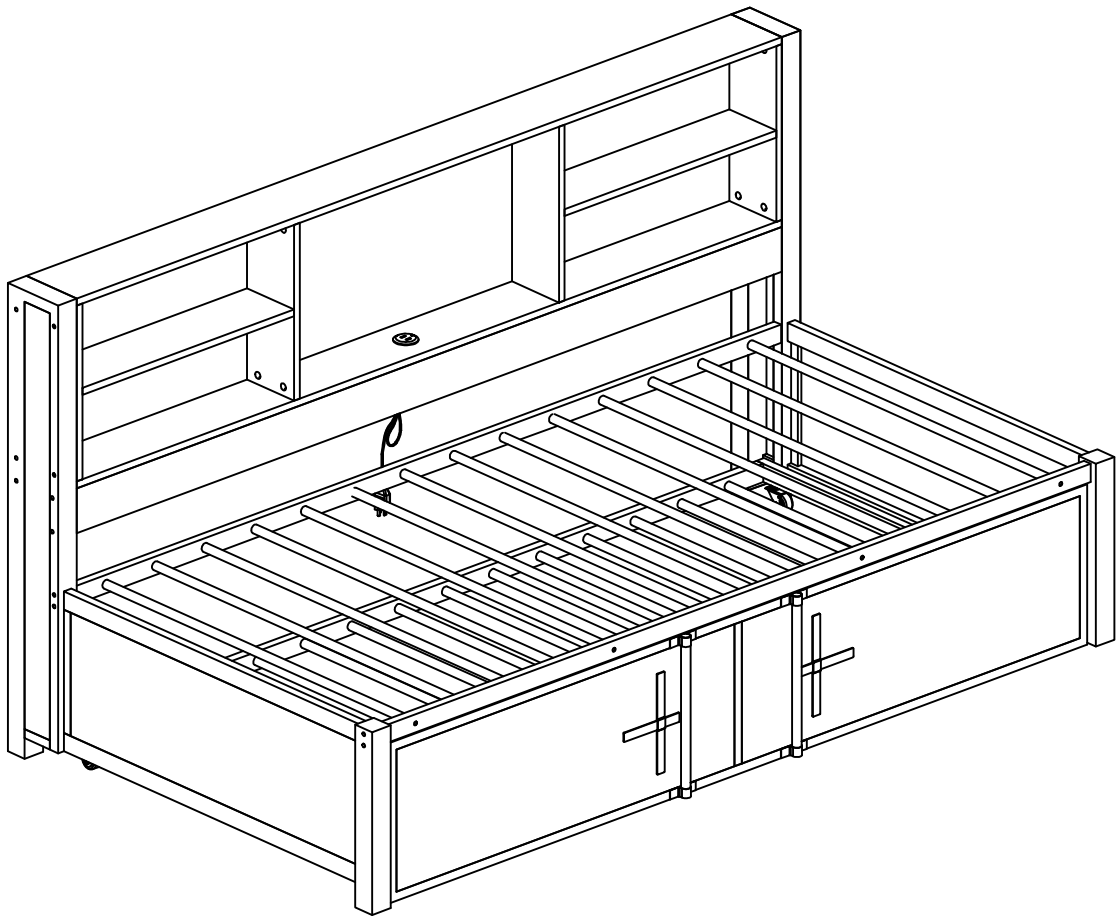
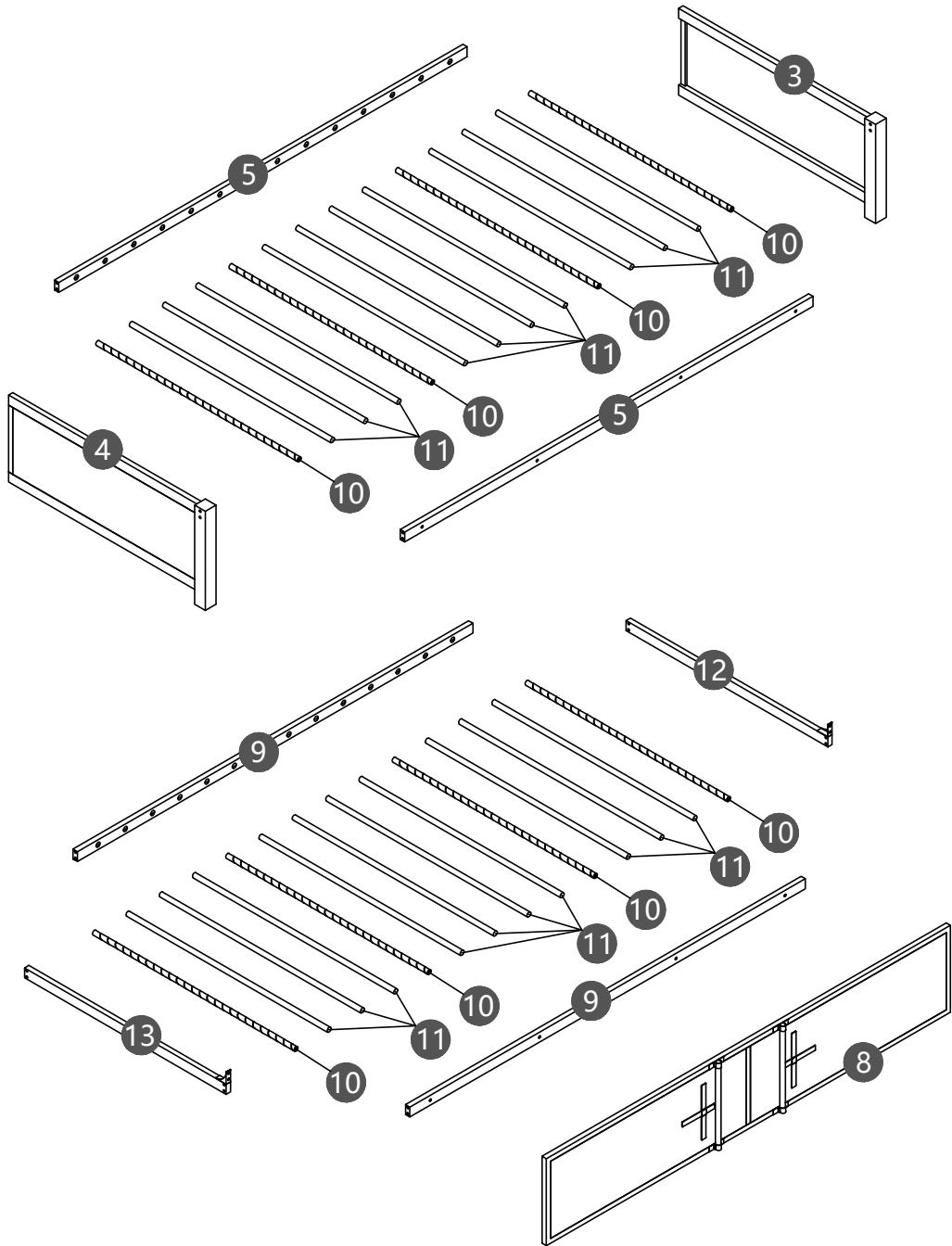
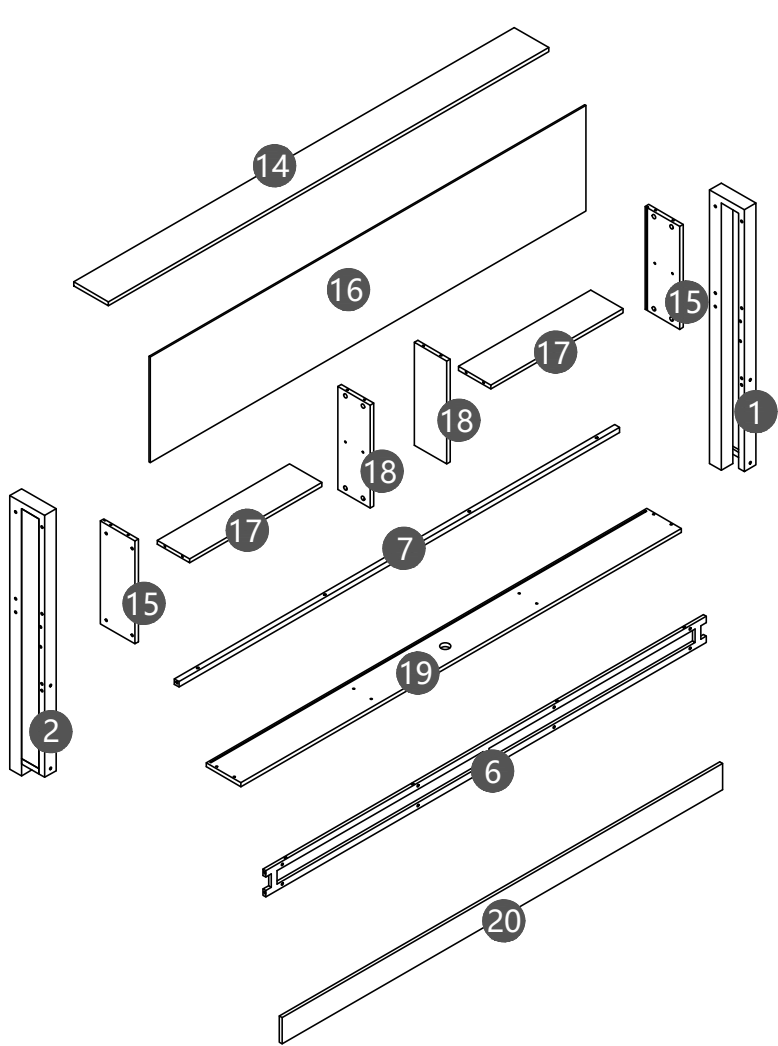


ASSEMBLY INSTRUCTIONS

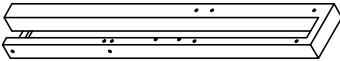
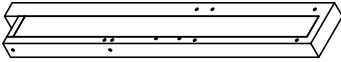
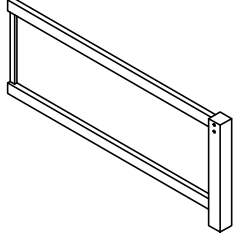
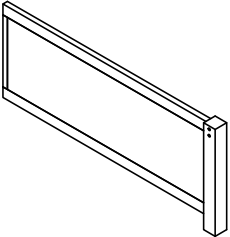
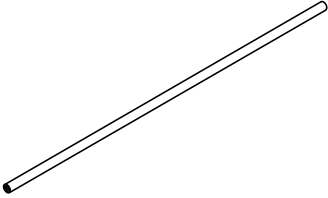
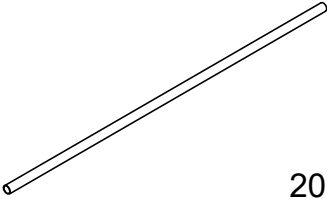
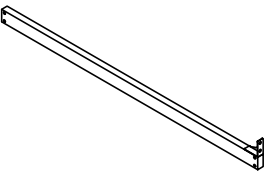
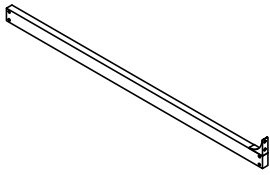
Twin Daybed With Storage



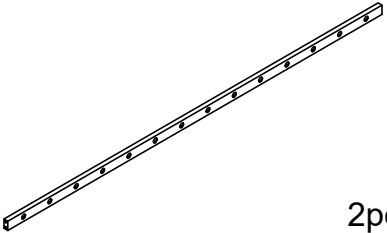
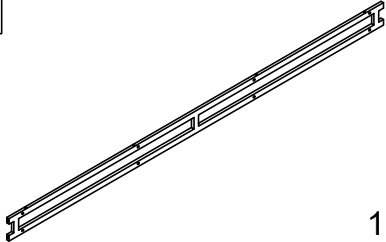
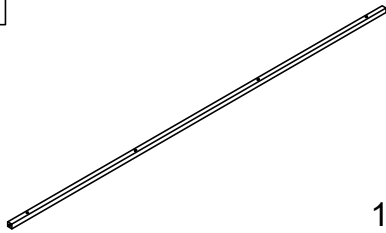
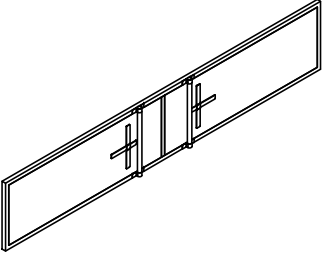
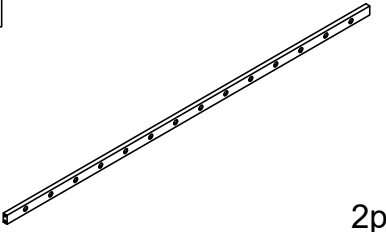
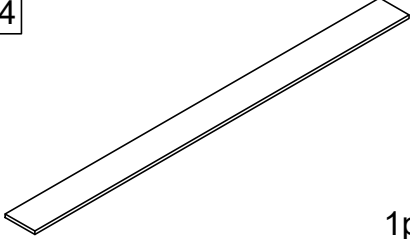

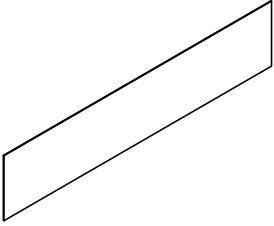
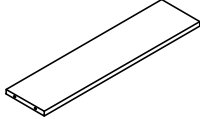
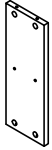
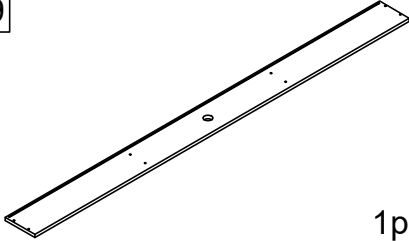
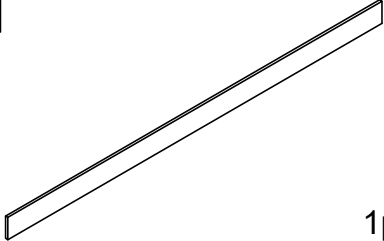
WF305543/WF305544






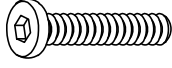
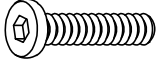
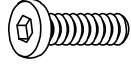
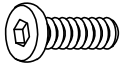
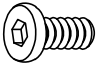

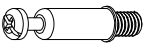
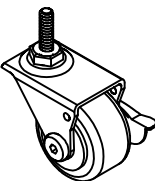
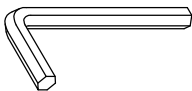
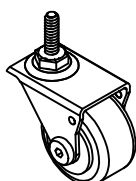

Parts List for WF305543

<p>1</p>  <p>1pc</p>	<p>2</p>  <p>1pc</p>	<p>3</p>  <p>1pc</p>
<p>4</p>  <p>1pc</p>	<p>10</p>  <p>8pcs</p>	<p>11</p>  <p>20pcs</p>
<p>12</p>  <p>1pc</p>	<p>13</p>  <p>1pc</p>	

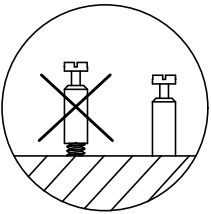
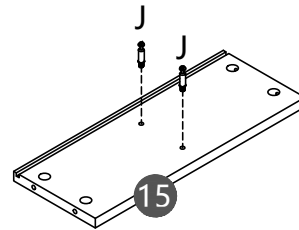
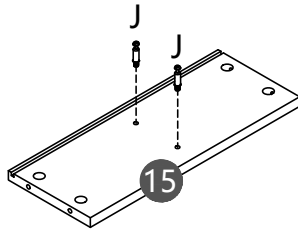
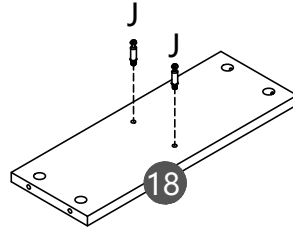
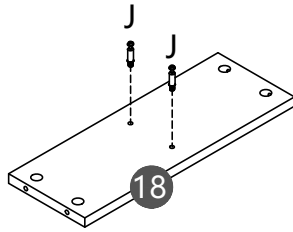
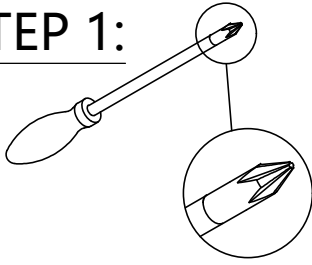
Parts List for WF305544

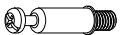
<p>5</p>  <p>2pcs</p>	<p>6</p>  <p>1pc</p>	<p>7</p>  <p>1pc</p>
<p>8</p>  <p>1pc</p>	<p>9</p>  <p>2pcs</p>	<p>14</p>  <p>1pc</p>
<p>15</p>  <p>2pcs</p>	<p>16</p>  <p>1pc</p>	<p>17</p>  <p>2pcs</p>
<p>18</p>  <p>2pcs</p>	<p>19</p>  <p>1pc</p>	<p>20</p>  <p>1pc</p>

Hardware List for WF305544

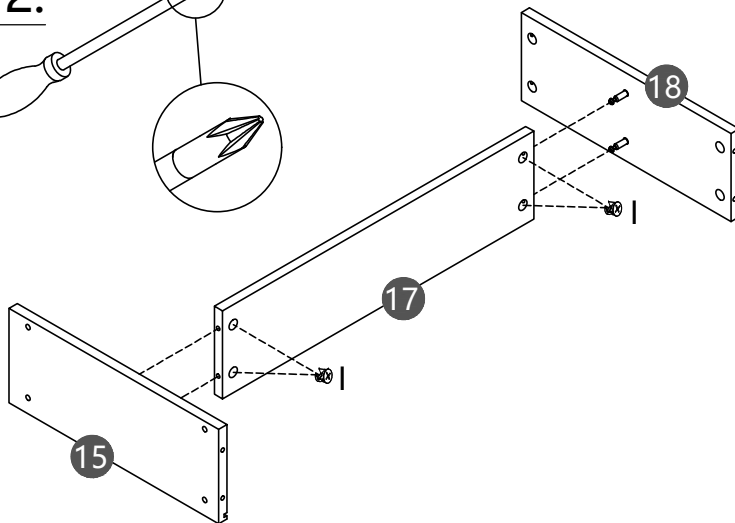
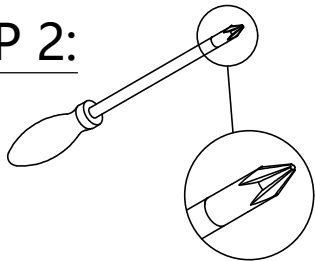
<p>A</p>  <p>M6*70mm 14pcs</p>	<p>B</p>  <p>M6*60mm 8pcs</p>	<p>C</p>  <p>M6*45mm 4pcs</p>
<p>D</p>  <p>M6*40mm 8pcs</p>	<p>E</p>  <p>M6*30mm 8pcs</p>	<p>F</p>  <p>M6*20mm 8pcs</p>
<p>G</p>  <p>M6*16mm 16pcs</p>	<p>H</p>  <p>M6*12mm 4pcs</p>	<p>I</p>  <p>24pcs</p>
<p>J</p>  <p>24pcs</p>	<p>K</p>  <p>2pcs</p>	<p>L</p>  <p>1pc</p>
<p>M</p>  <p>2pcs</p>	<p>N</p>  <p>1pc</p>	

STEP 1:



J

8PCS

STEP 2:



17


18

15

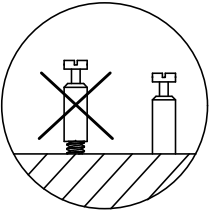
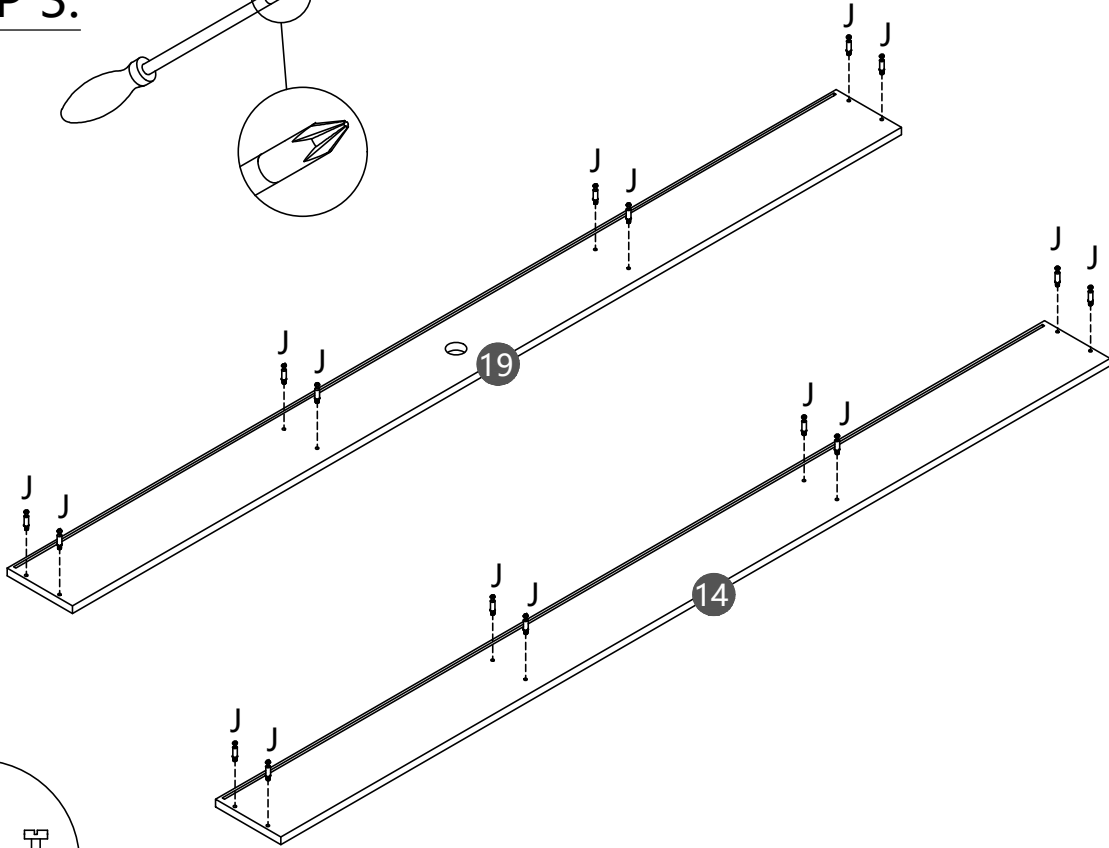
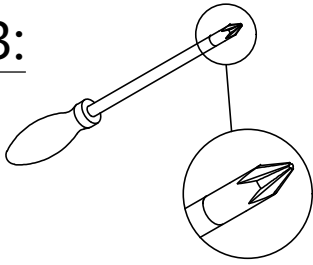
18

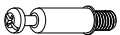
17

15

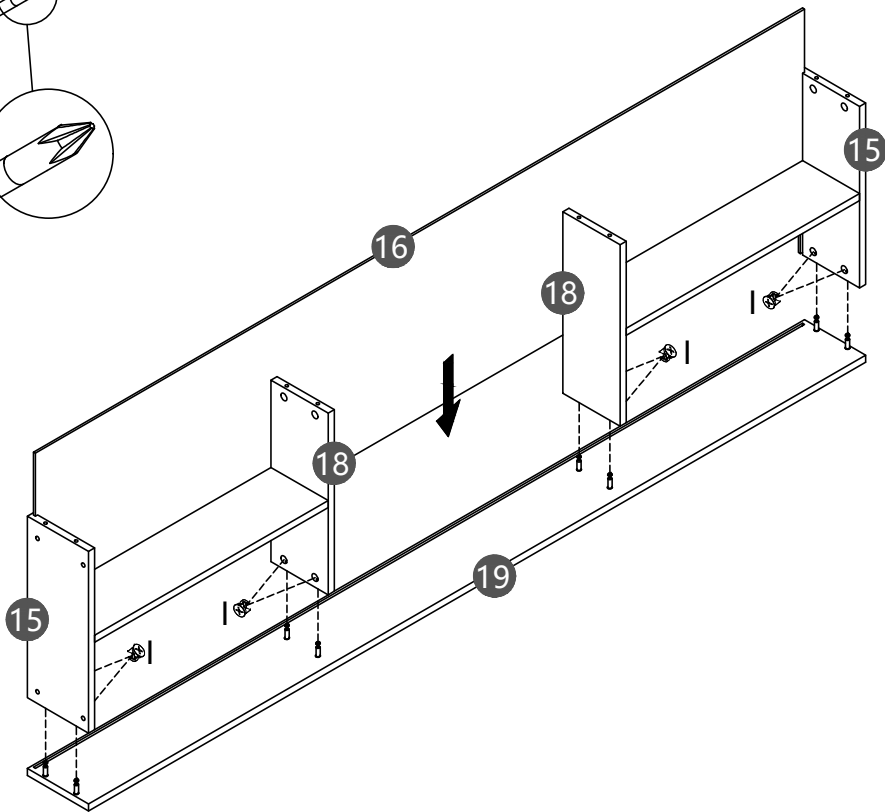
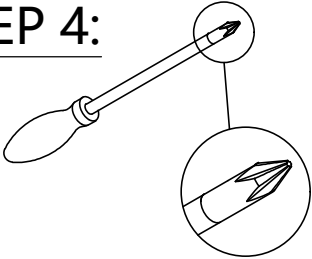
I

8PCS


STEP 3:



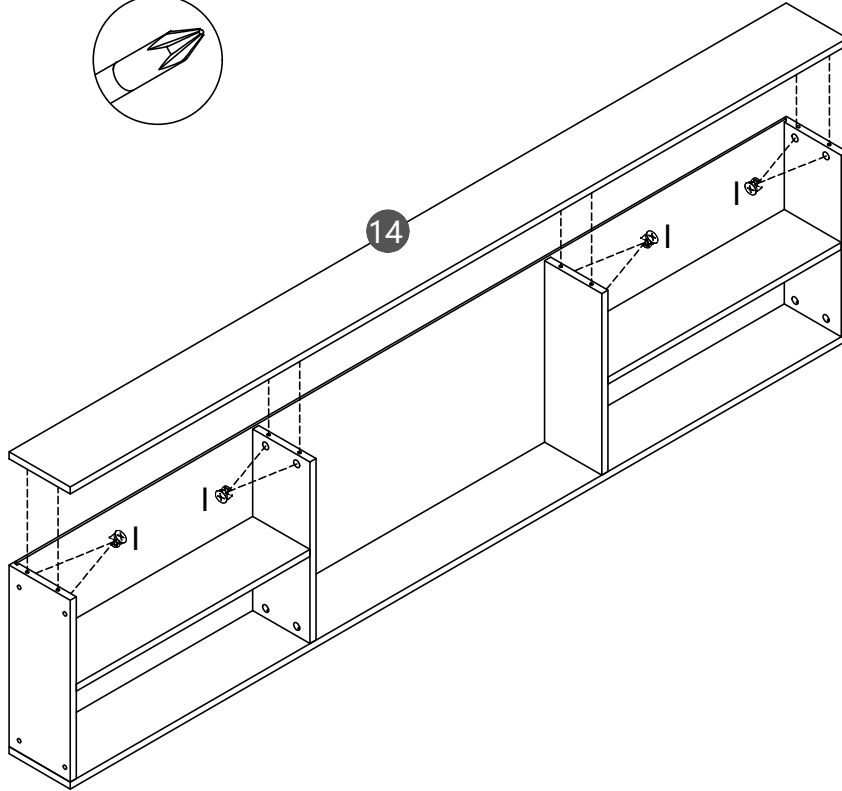
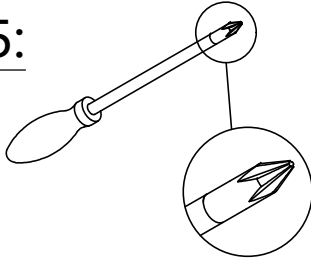
J

16PCS

STEP 4:



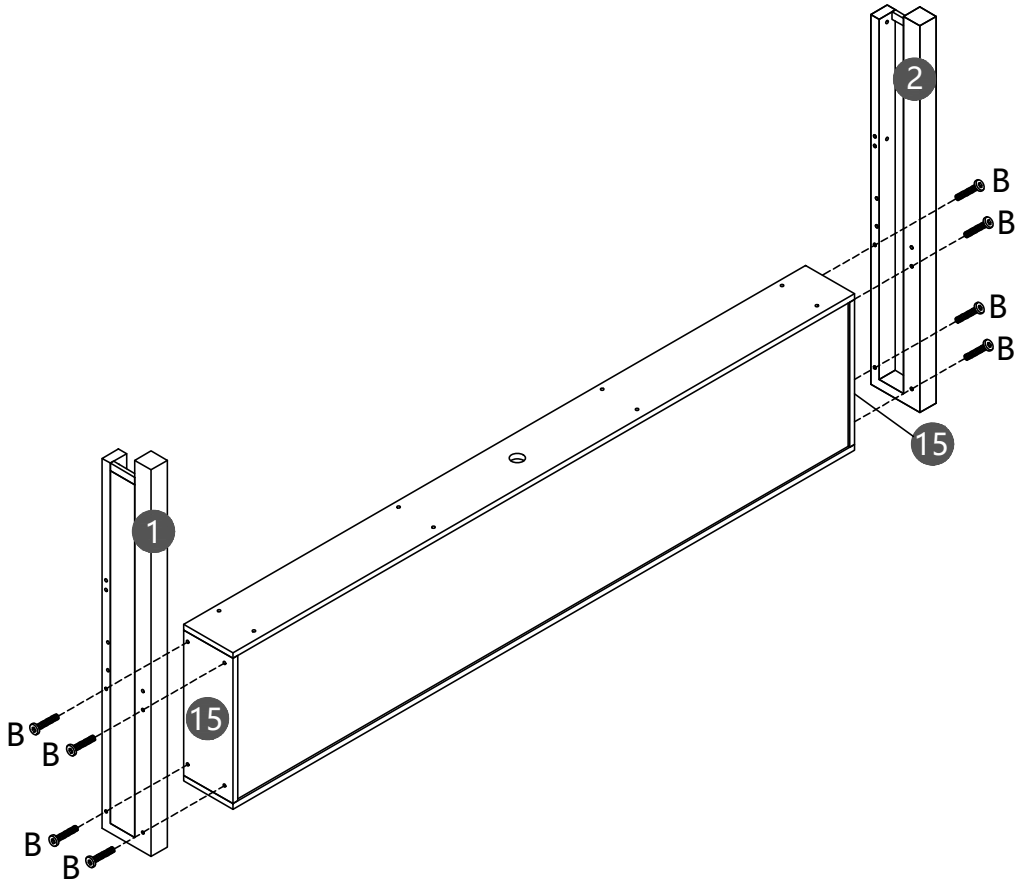
I

8PCS

STEP 5:

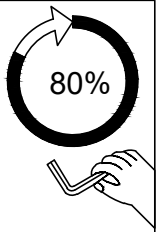


I
8PCS

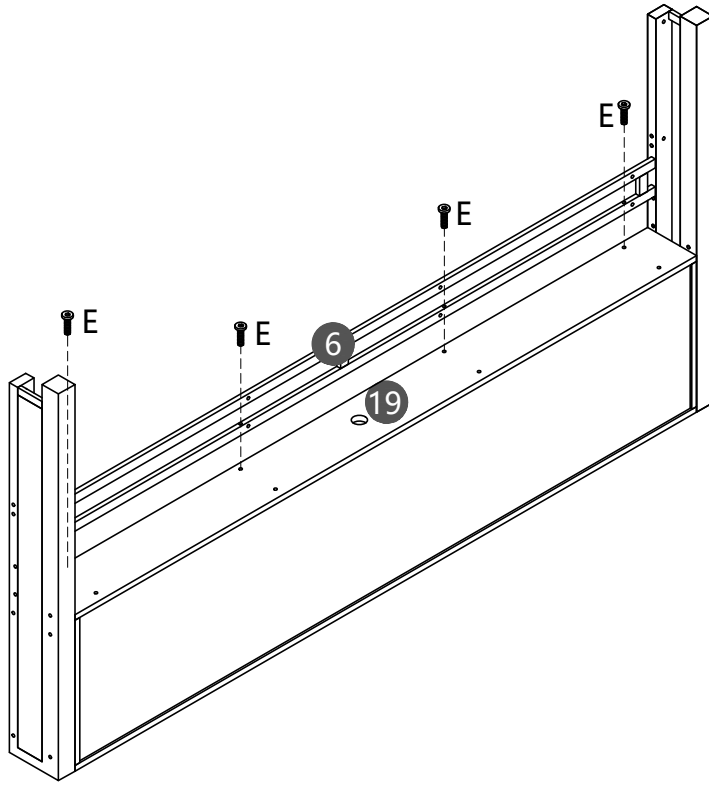
STEP 6:




B
M6*60mm
8PCS



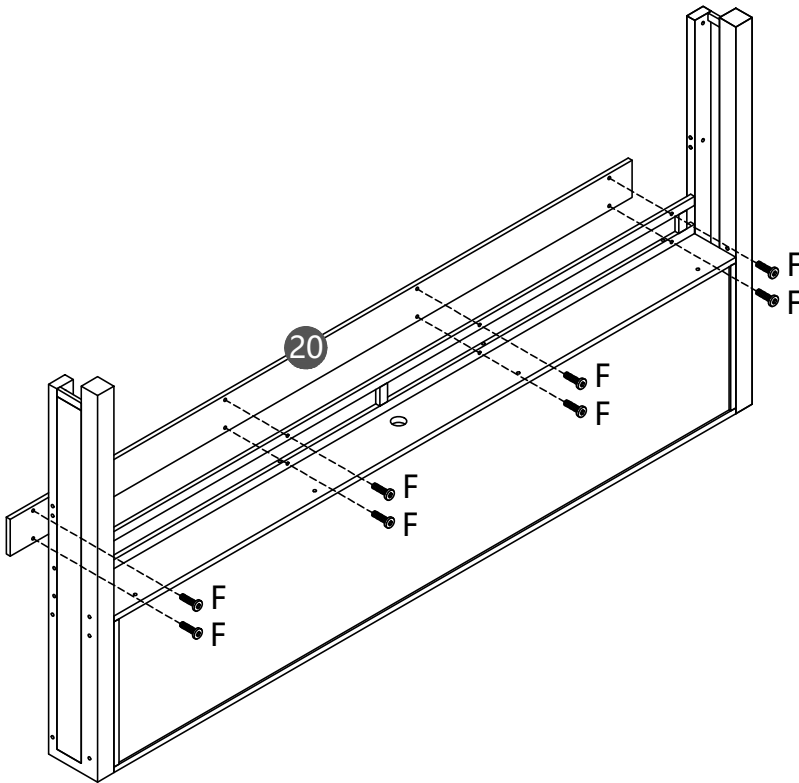
STEP 7:




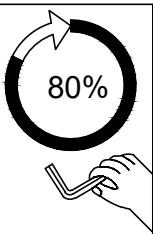
E

M6*30mm
4PCS



STEP 8:



F

M6*20mm
8PCS



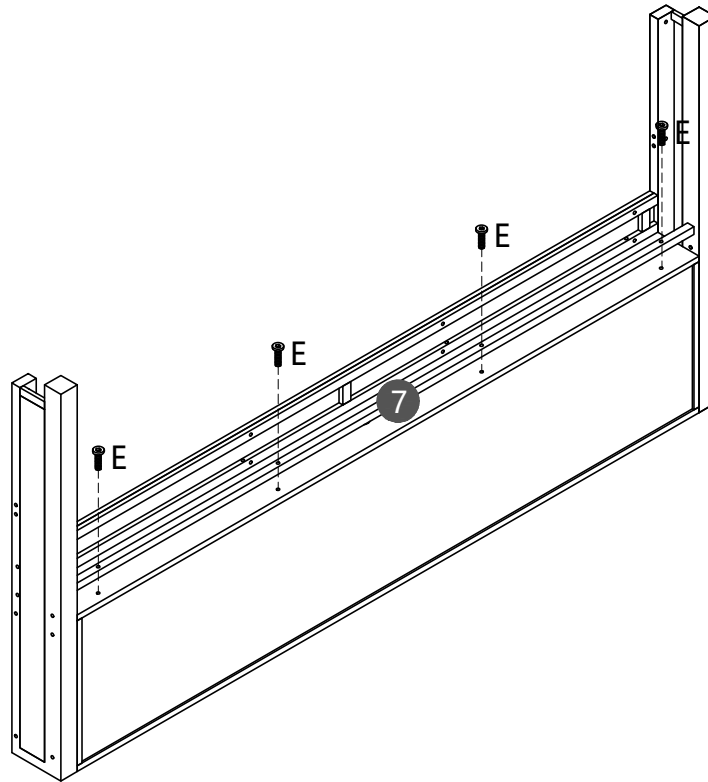
STEP 9:

E



M6*30mm

4PCS



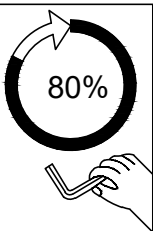
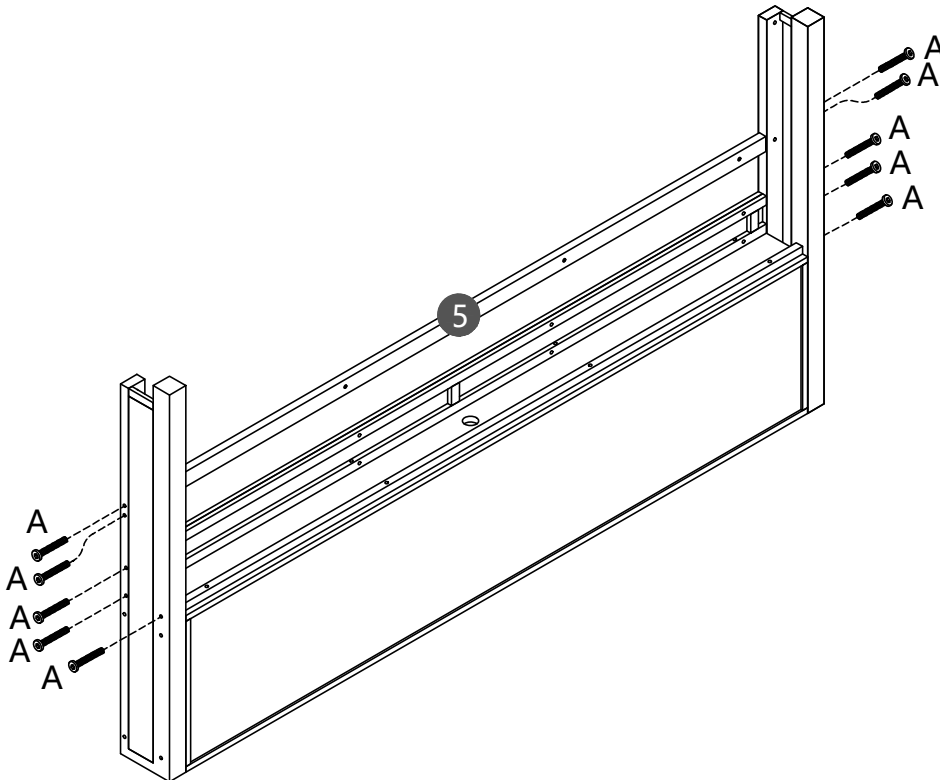
STEP 10:

A



M6*70mm

10PCS



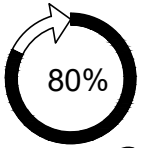
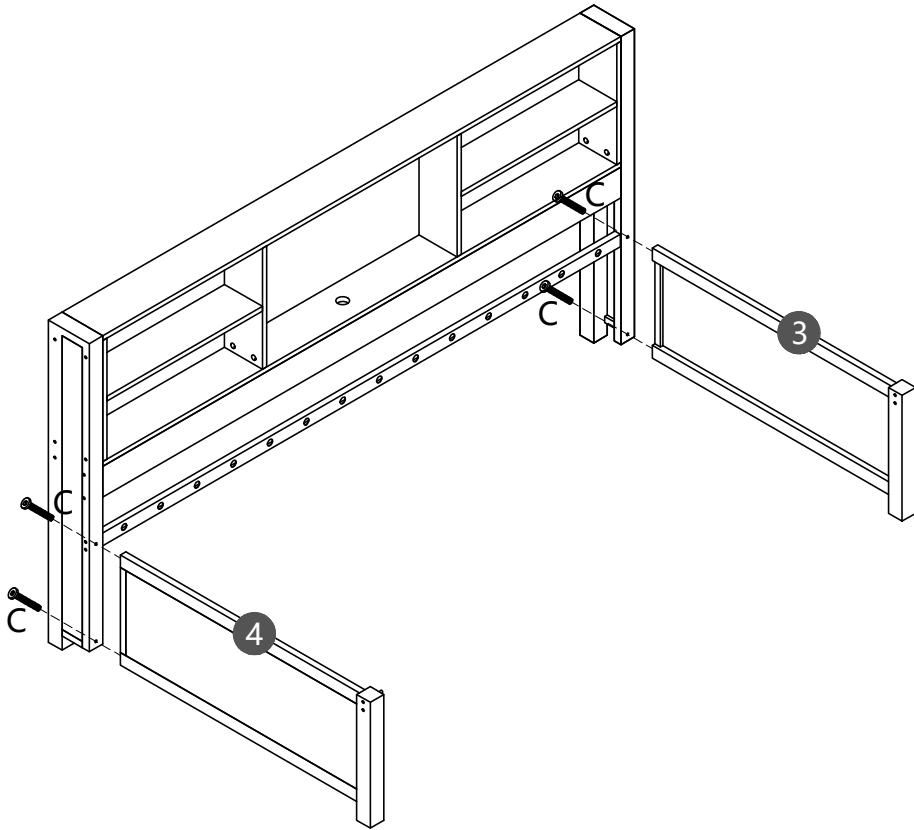
STEP 11:

C



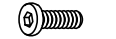
M6*45mm

4PCS



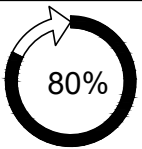
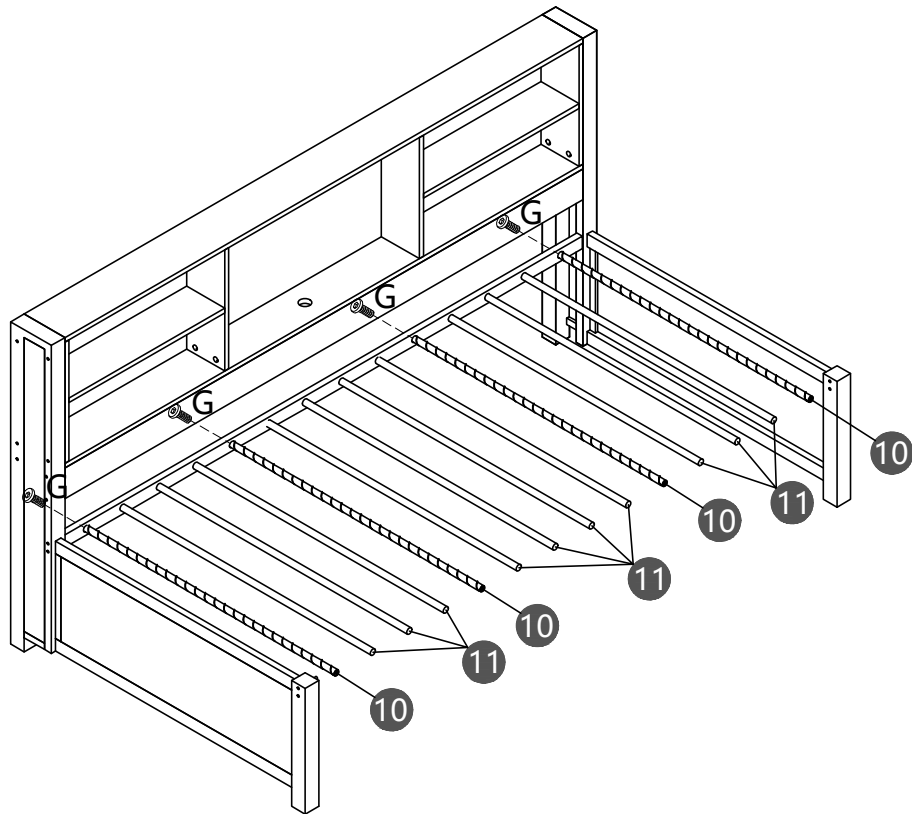
STEP 12:

G

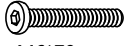
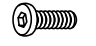


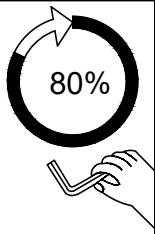
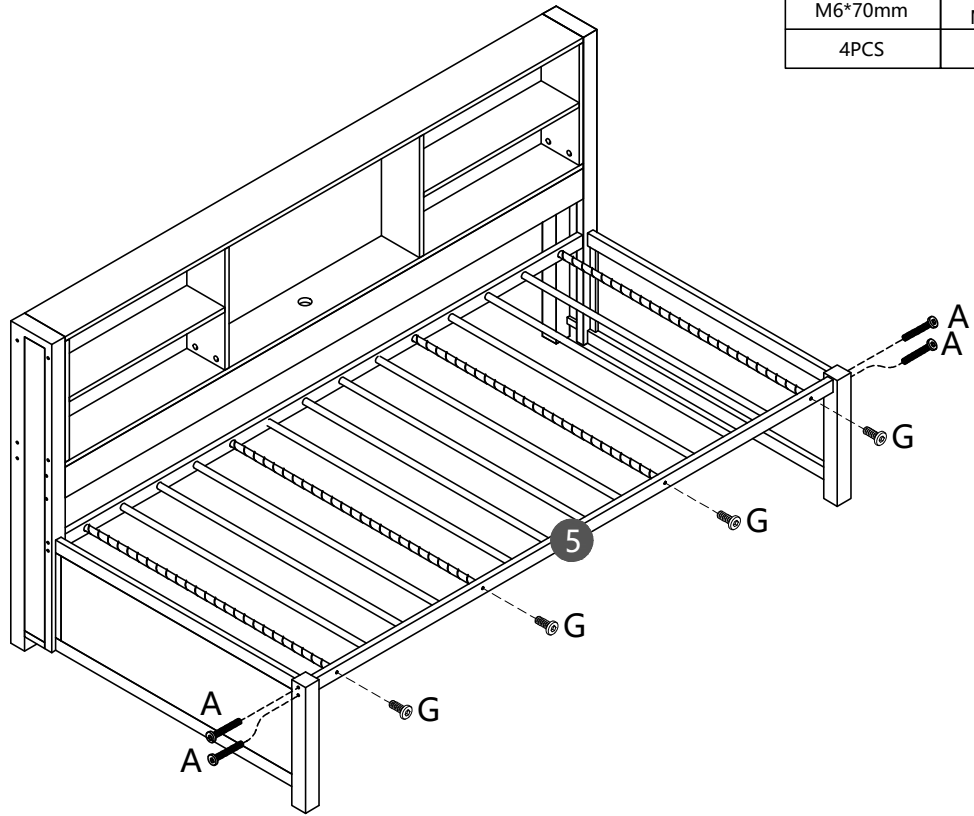
M6*16mm

4PCS

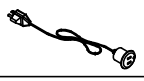


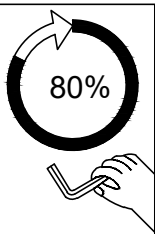
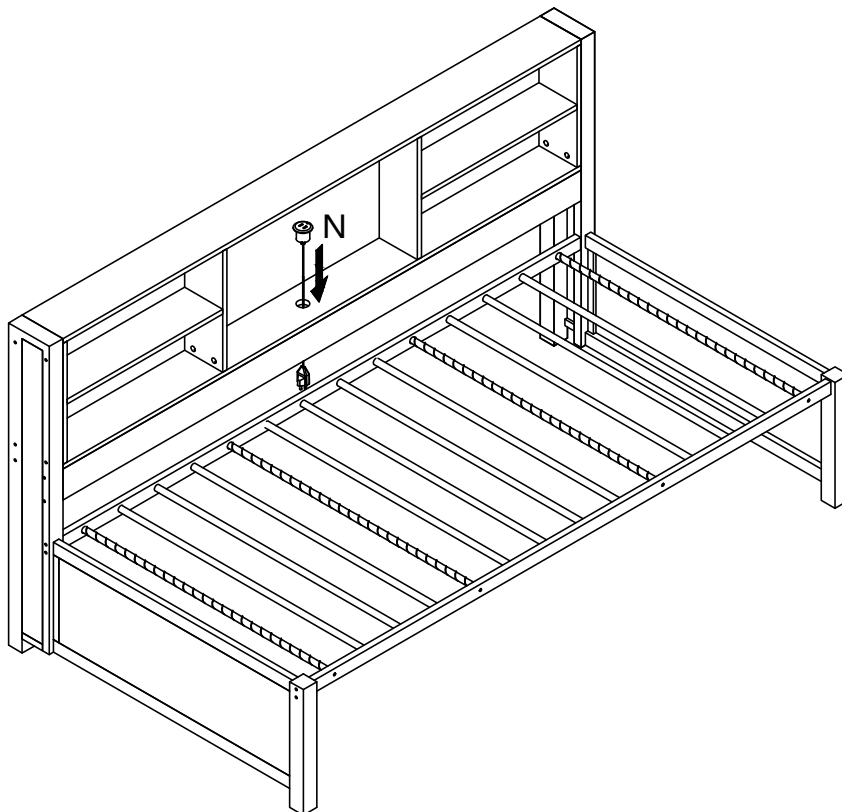
STEP 13:

A	G
 M6*70mm	 M6*16mm
4PCS	4PCS

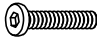
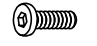


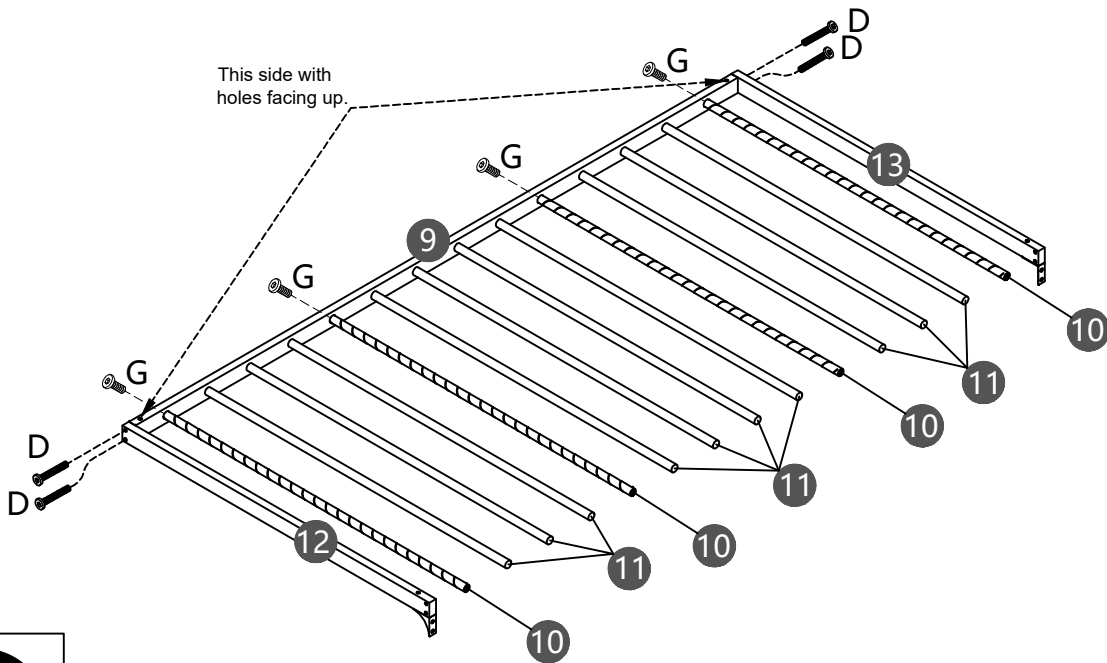
STEP 14:

N

1PC


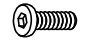


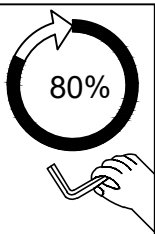
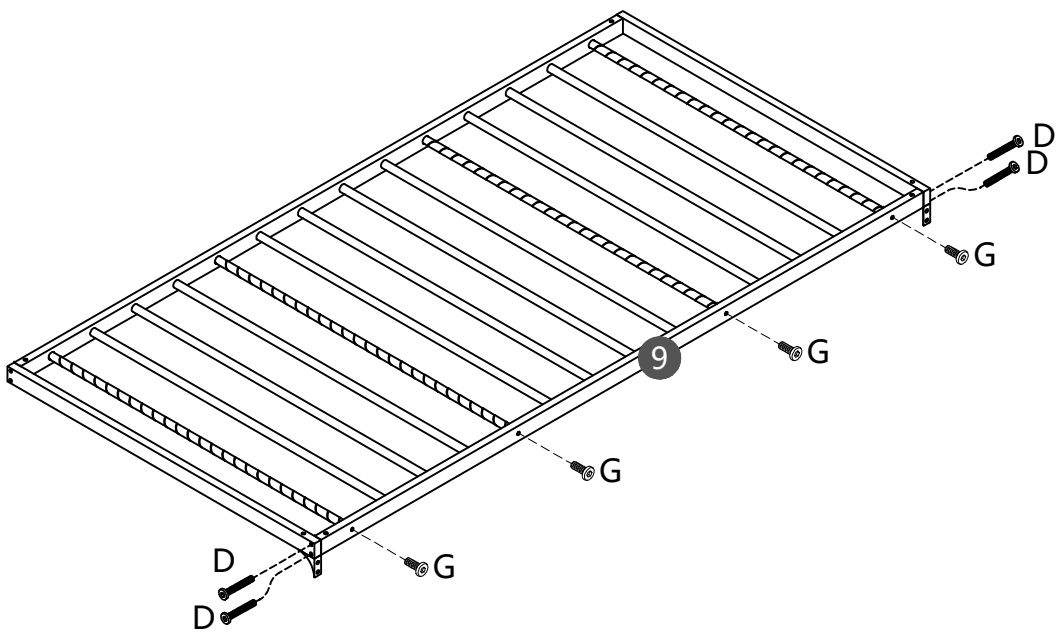
STEP 15:

D	G
 M6*40mm	 M6*16mm
4PCS	4PCS





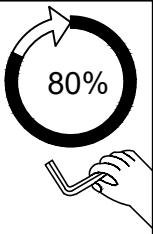
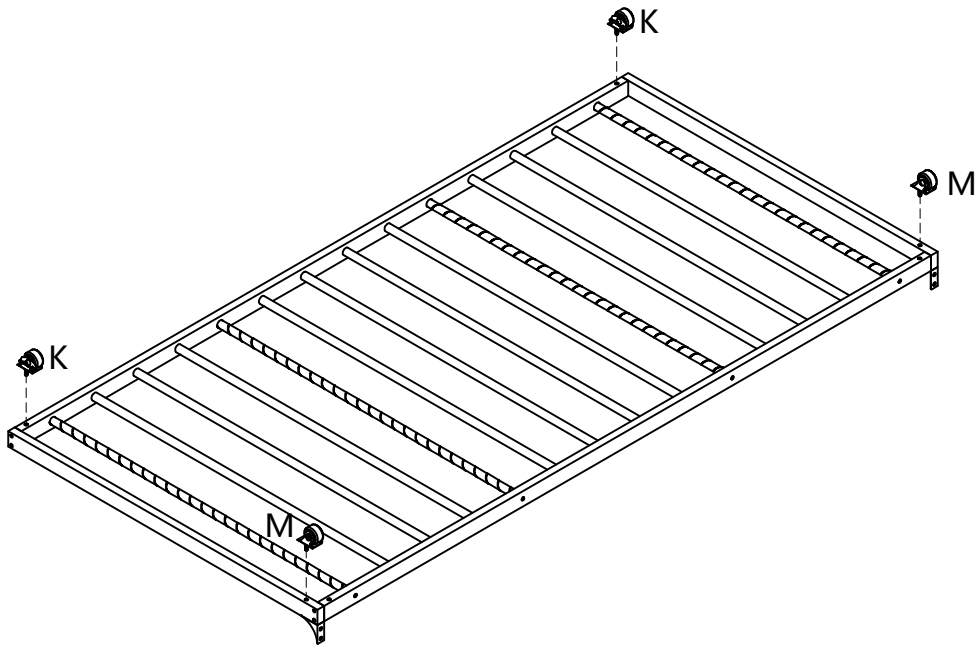
STEP 16:

D	G
 M6*40mm	 M6*16mm
4PCS	4PCS




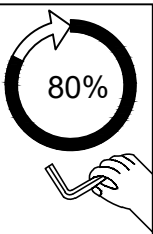
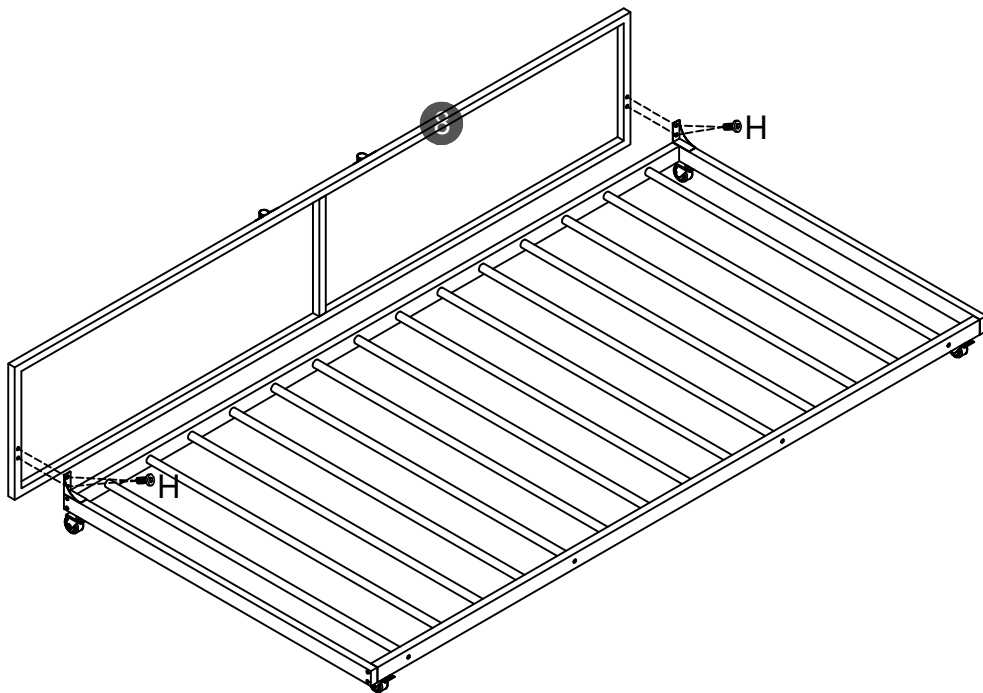
STEP 17:

K	M
	
2PCS	2PCS



STEP 18:

H

M6*12mm
4PCS



STEP 19:

