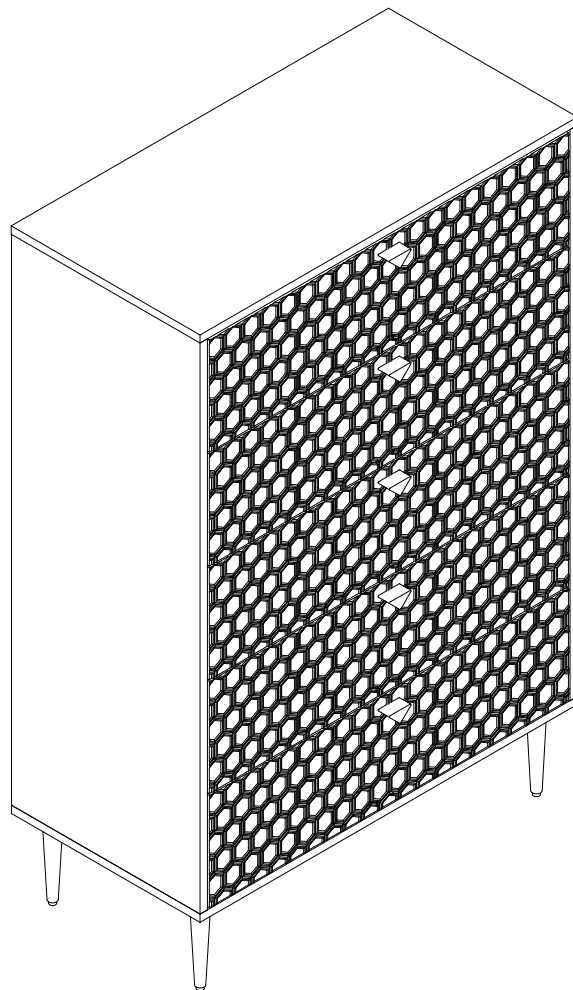


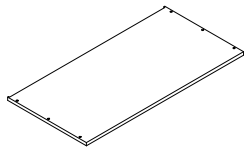
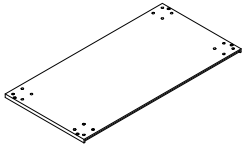
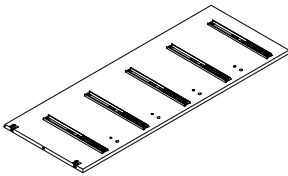
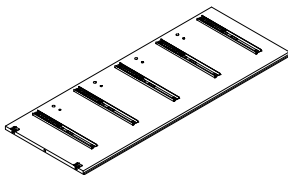
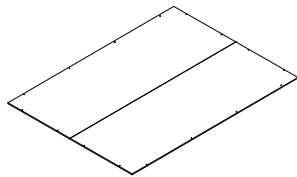
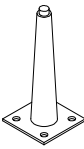
ASSEMBLY INSTRUCTIONS

1. Before installation, please read the Assembly Instruction carefully.
2. Please check whether the Parts and Hardware are consistent with the list.
3. It is normal for the sealed environment to smell, not a product quality problem.

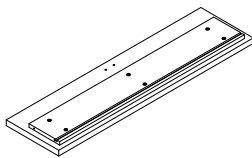
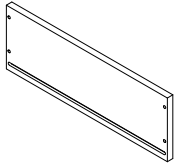
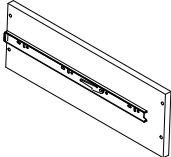
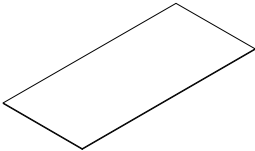
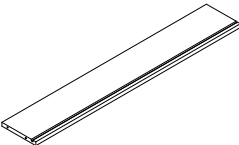
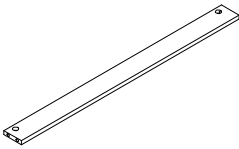


ASSEMBLY INSTRUCTIONS

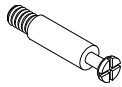






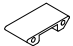
Part List:

ITEM	DESCRIPTION	PART	QTY
1	Top panel		1
2	Bottom panel		1
3	Left side panel		1
4	Right side panel		1
5	Back panel		1
6	Leg		4







Part List:

ITEM	DESCRIPTION	PART	QTY
7	Drawer front		5
8	Drawer right side		5
9	Drawer left side		5
10	Drawer bottom		5
11	Drawer back		5
12	Drawer baffle		4

Hardware List:

ITEM	DESCRIPTION	PART	QTY
A	Camlock bolt		8
B	Camlock		8
C	Wooden dowel	 Φ8*30mm	12
D	Bolt	 Φ1/4"*1/2"	16
E	Bolt	 Φ1/4"*1"	4
F	Allen wrench		1
G	Wood screw	 Φ4*30mm	40
H	Handle		5

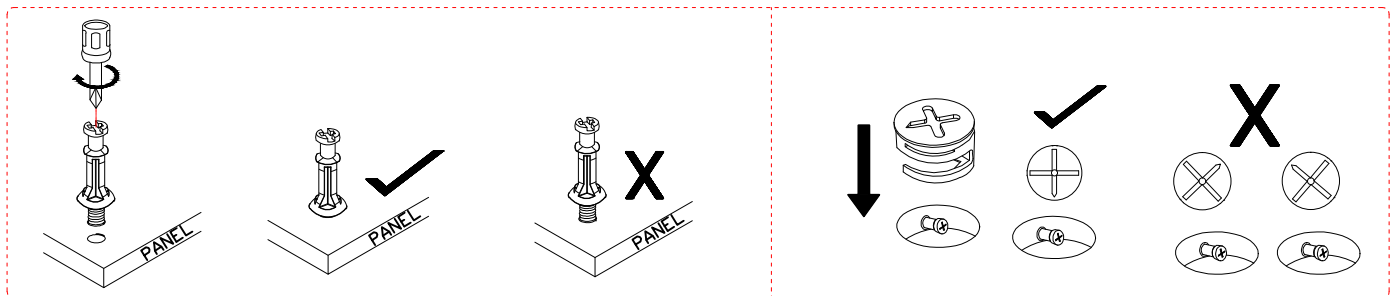
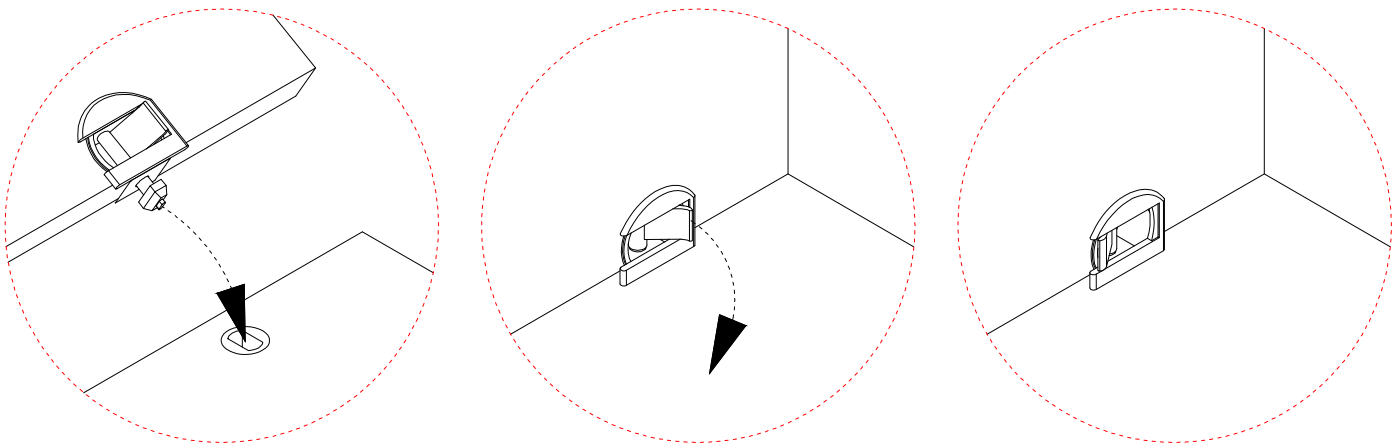
Hardware List:

ITEM	DESCRIPTION	PART	QTY
I	Machine screw	 Φ5/32"*1-1/8"	10
J	Back screw	 Φ3*16mm	16
K	Safety wall strap		2
L	Plastic anchor		2
M	Mounting screw	 Φ4*38mm	2
N	Washer		2

ASSEMBLY INSTRUCTION



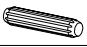
- * Required screwdriver & mallet, not included.
- * Before discarding packing materials, please check to make sure that all parts and hardware is present.
- * Two people needed for assembly.
- * Please follow the instructions closely; do not over tighten screws or bolts unless instructed.
- * After a few days from initial assembly, the product may have acclimated to the new environment. Please retighten the hardware.

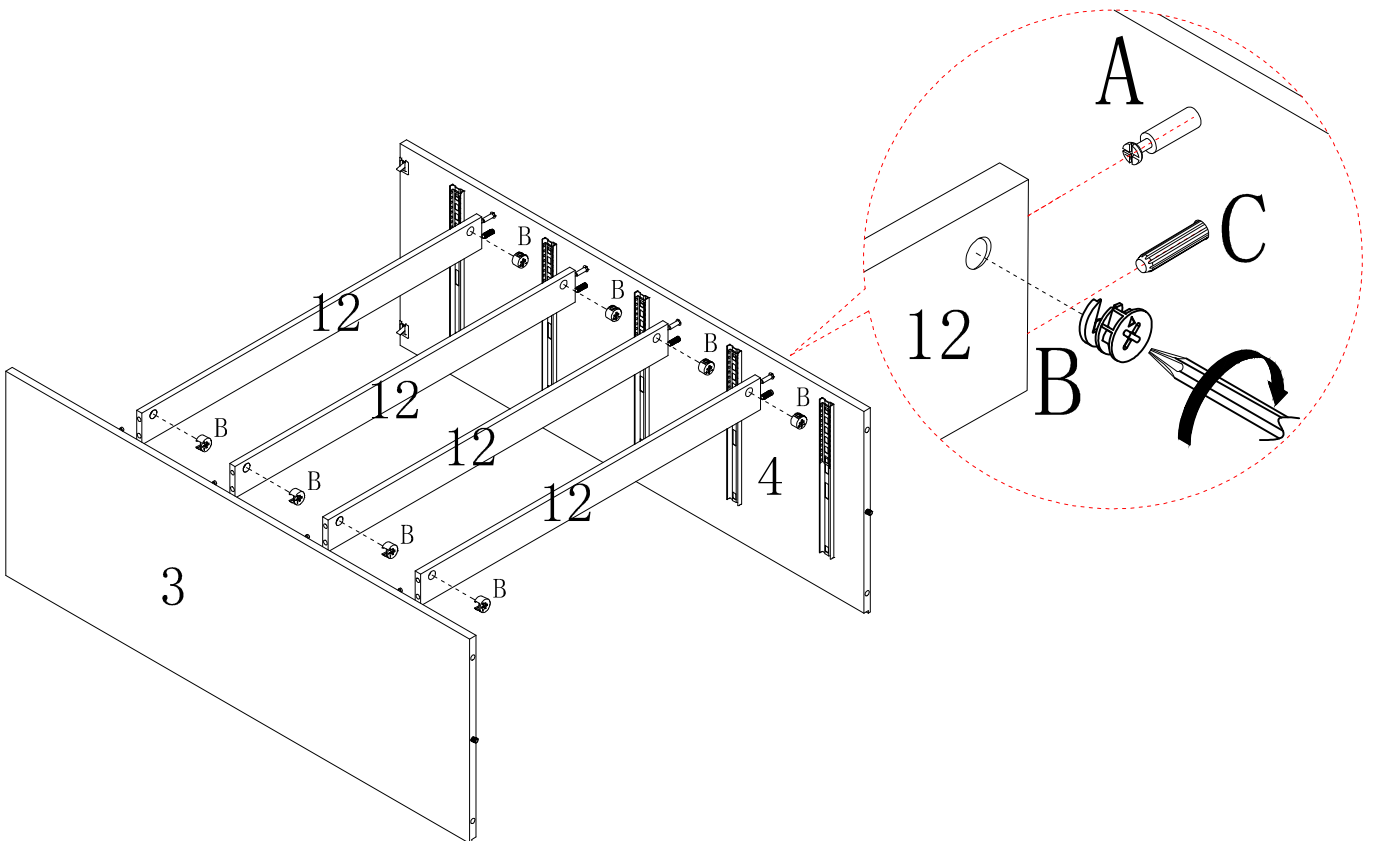
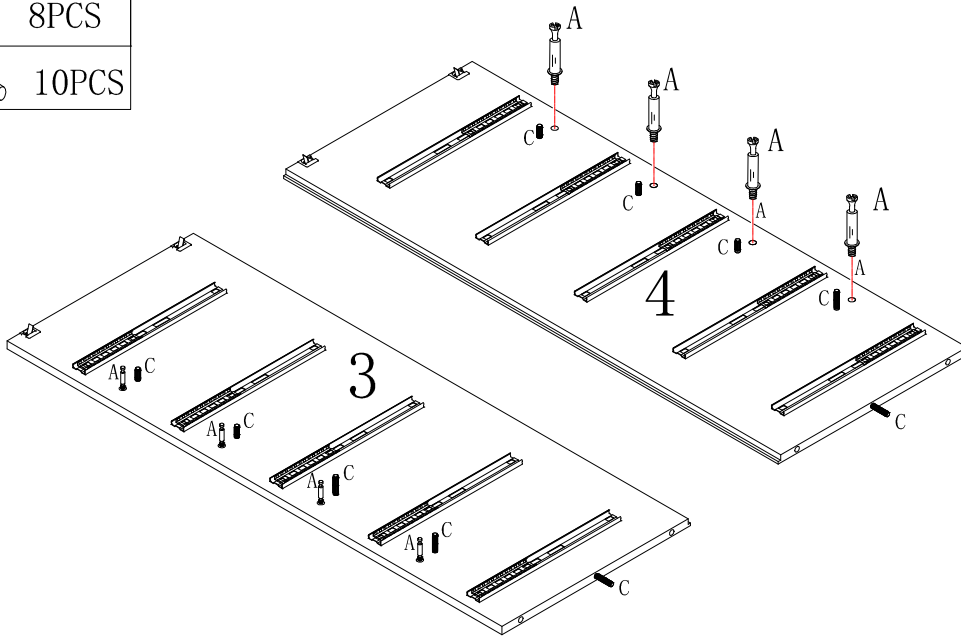
Connection Assembly Guidelines



ASSEMBLY INSTRUCTION



STEP 1

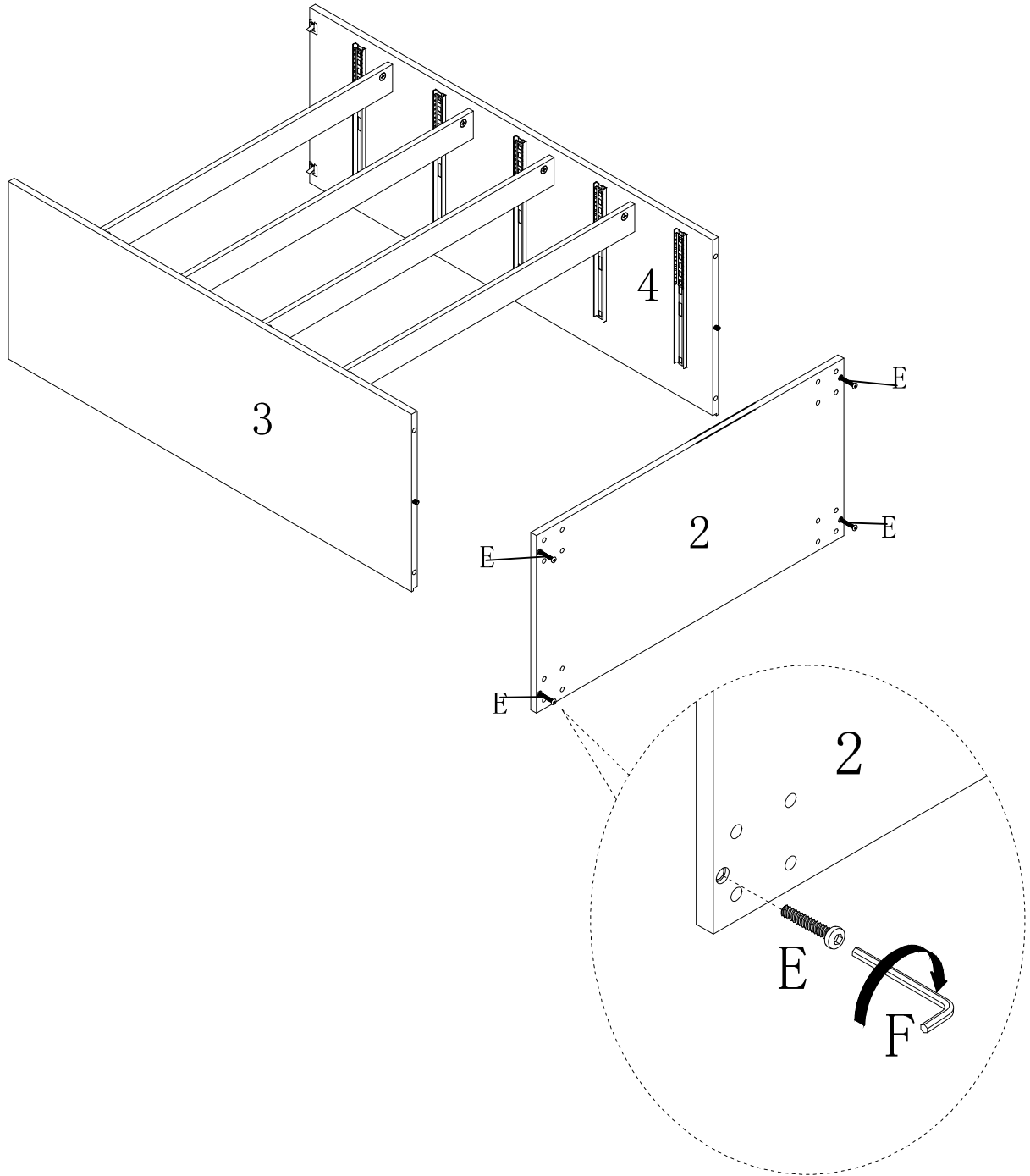
A:		8PC
B:		8PCS
C:		10PCS





ASSEMBLY INSTRUCTION

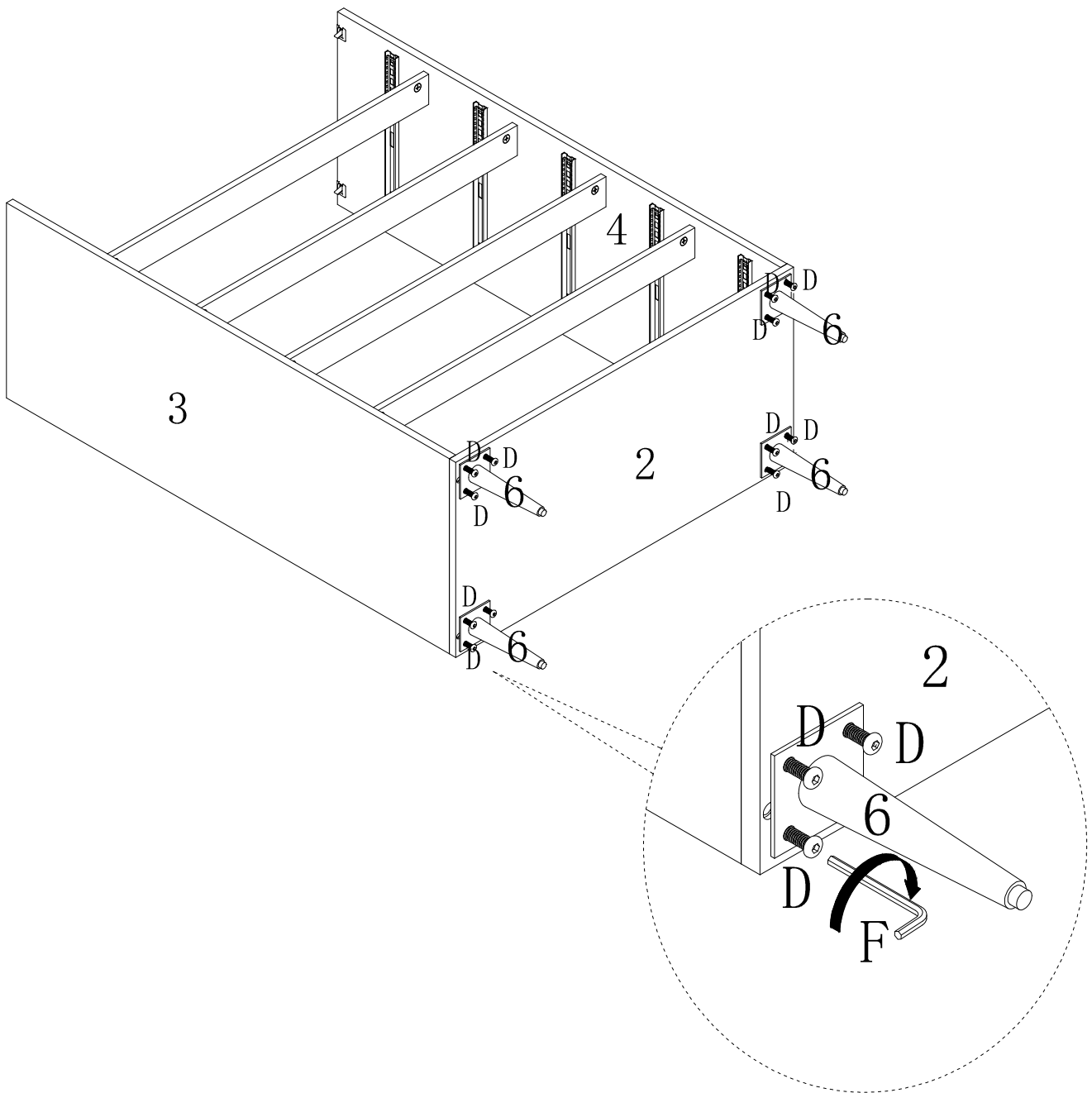
STEP 2

E:		4PCS
F:		1PC




STEP 3

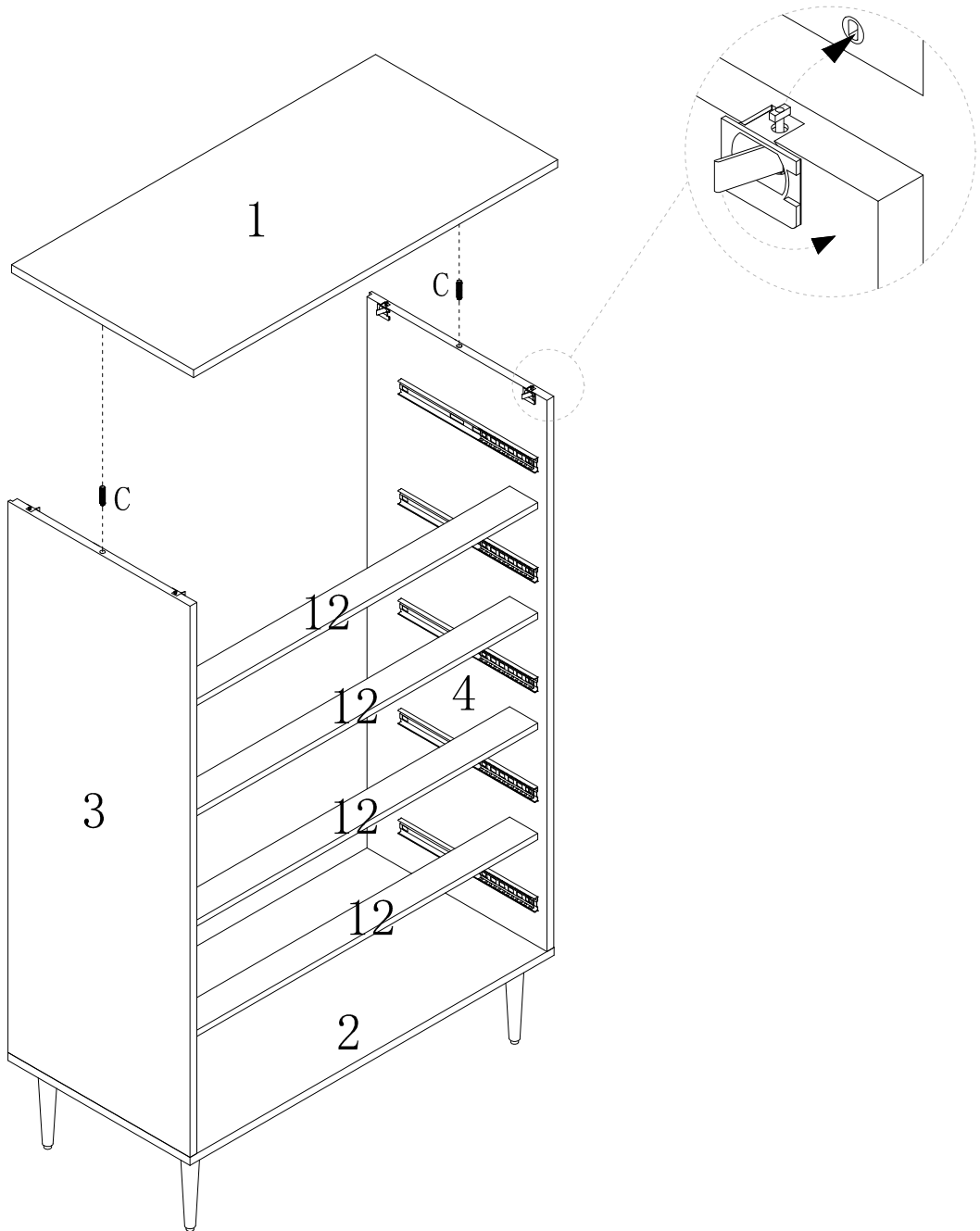
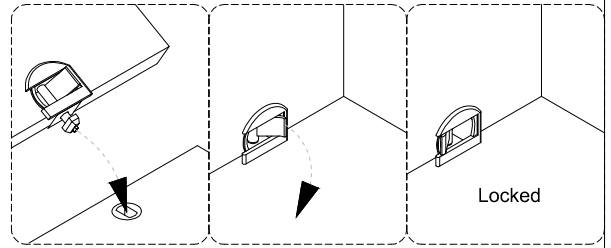
D:		16PCS
F:		1PC



ASSEMBLY INSTRUCTION



STEP 4

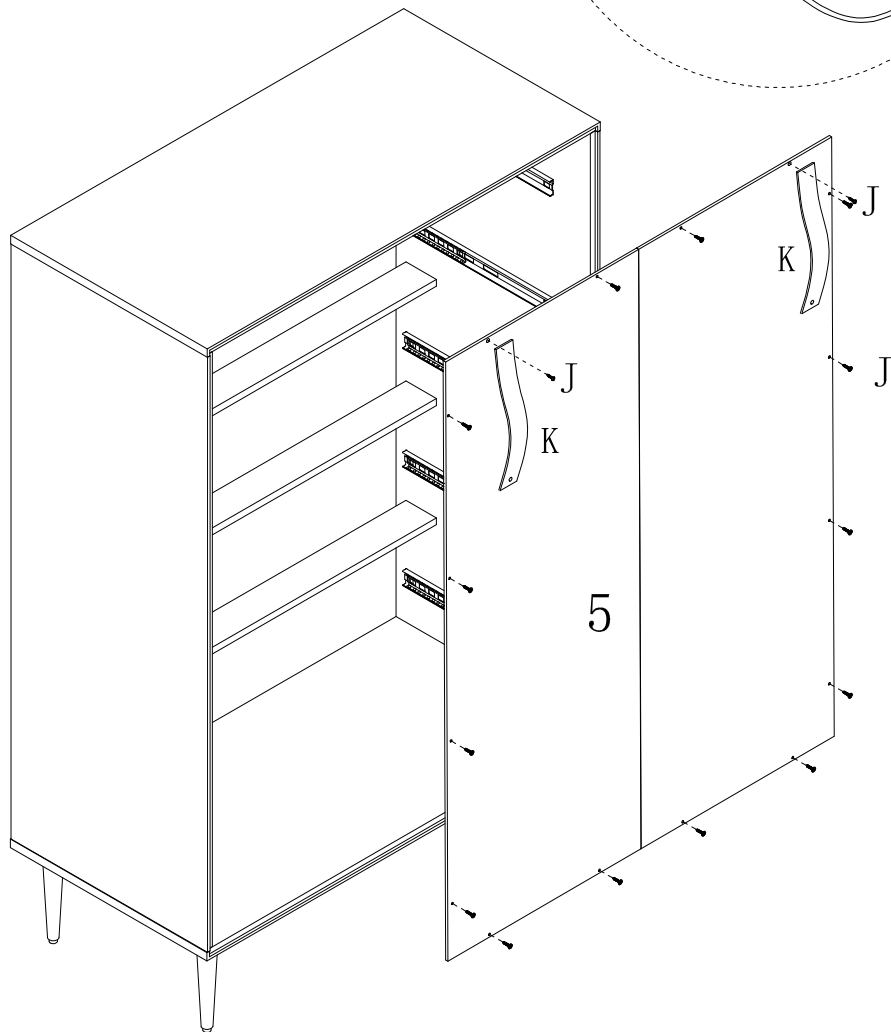
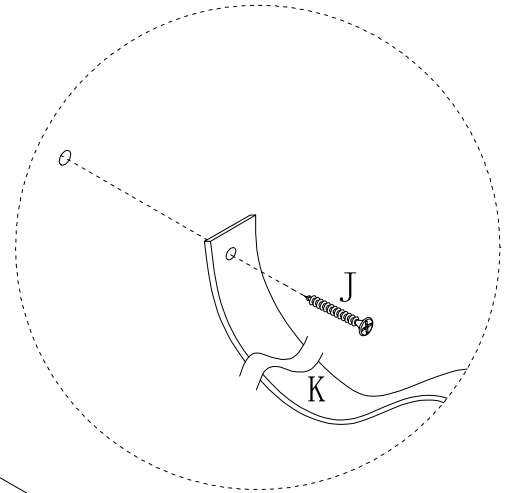
C:  2PCS



ASSEMBLY INSTRUCTION

STEP 5

J:		16PCS
K:		2 PCS


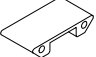
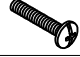


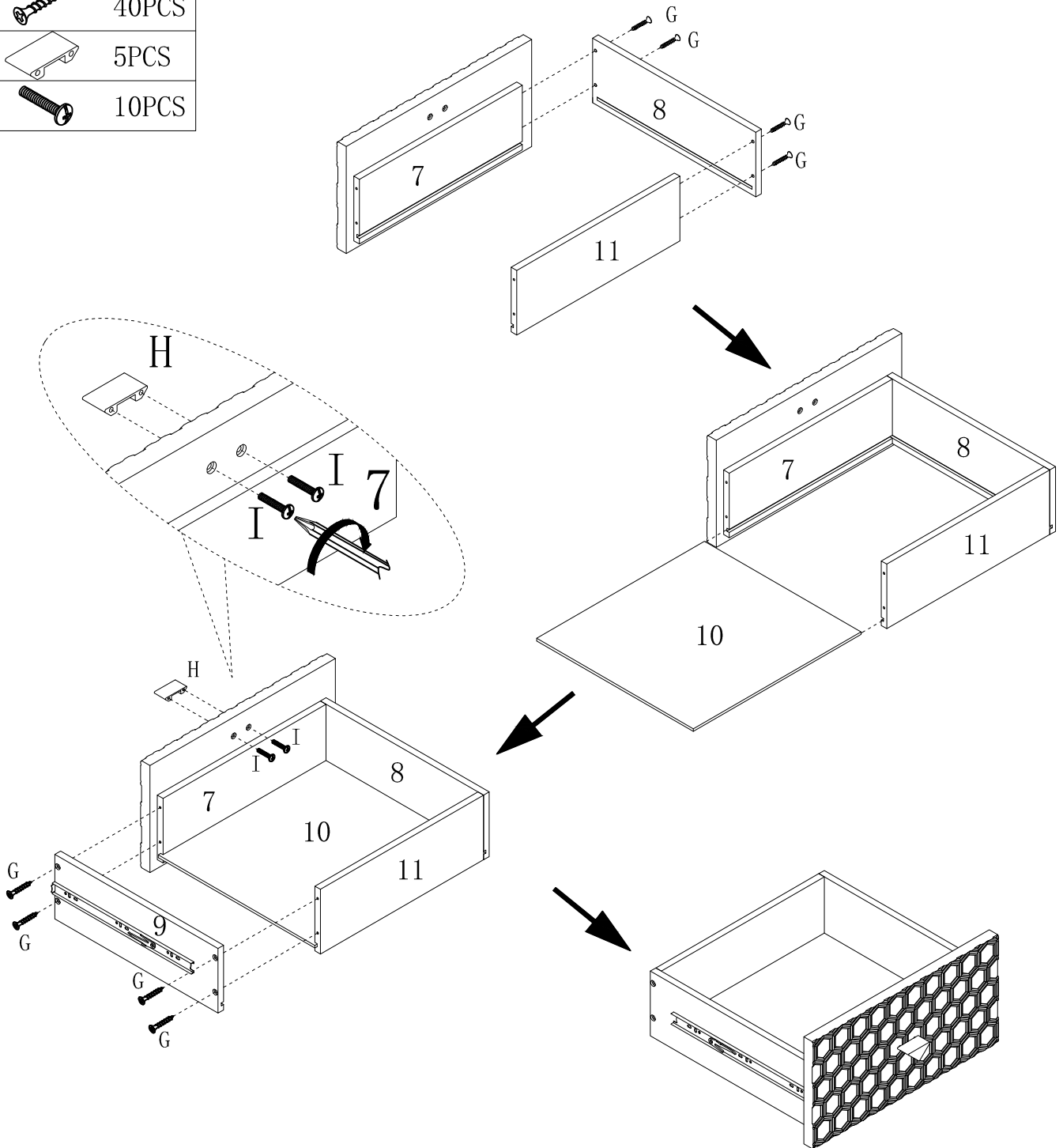
For safety reasons,
it is recommended to install safety wall strap to fix the item

ASSEMBLY INSTRUCTION

STEP 6

Do not lift up the drawer front panel before assemble drawer side panel.

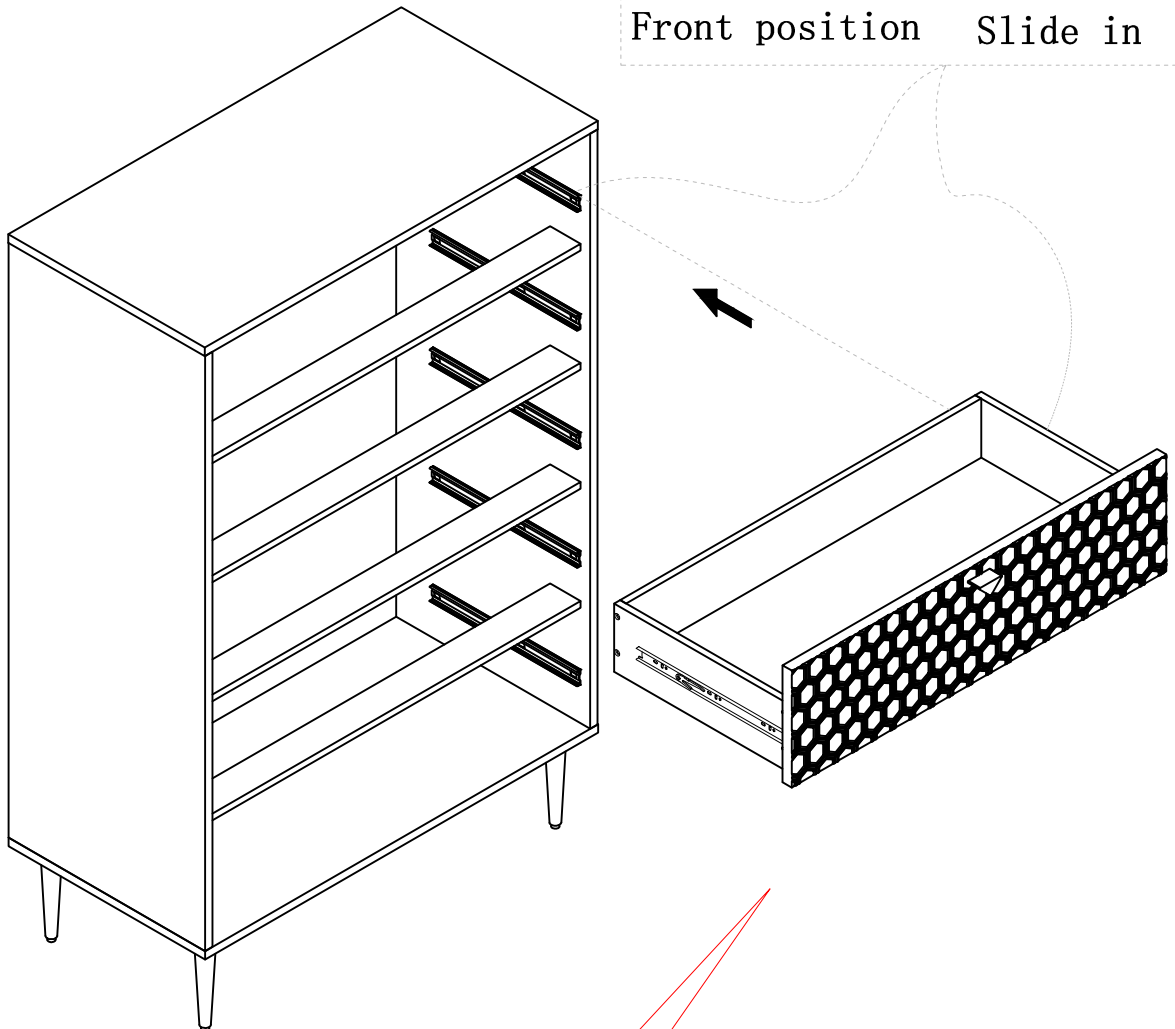
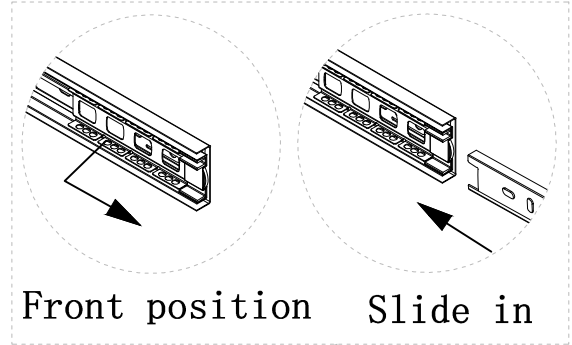
G:		40PCS
H:		5PCS
I:		10PCS



5 drawers are assembled in the same way

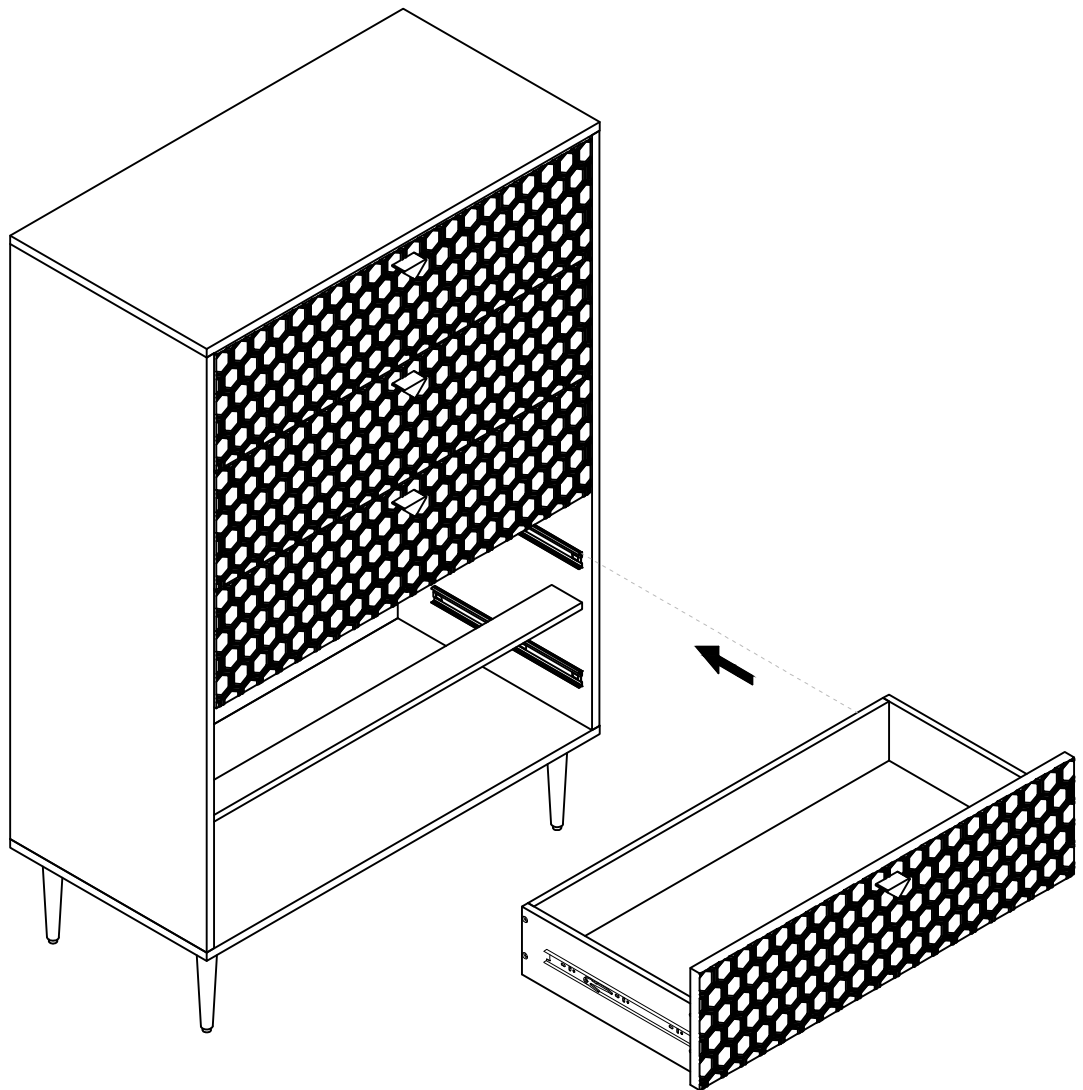
STEP 7

Note: Place the slidable part to the front position before sliding in



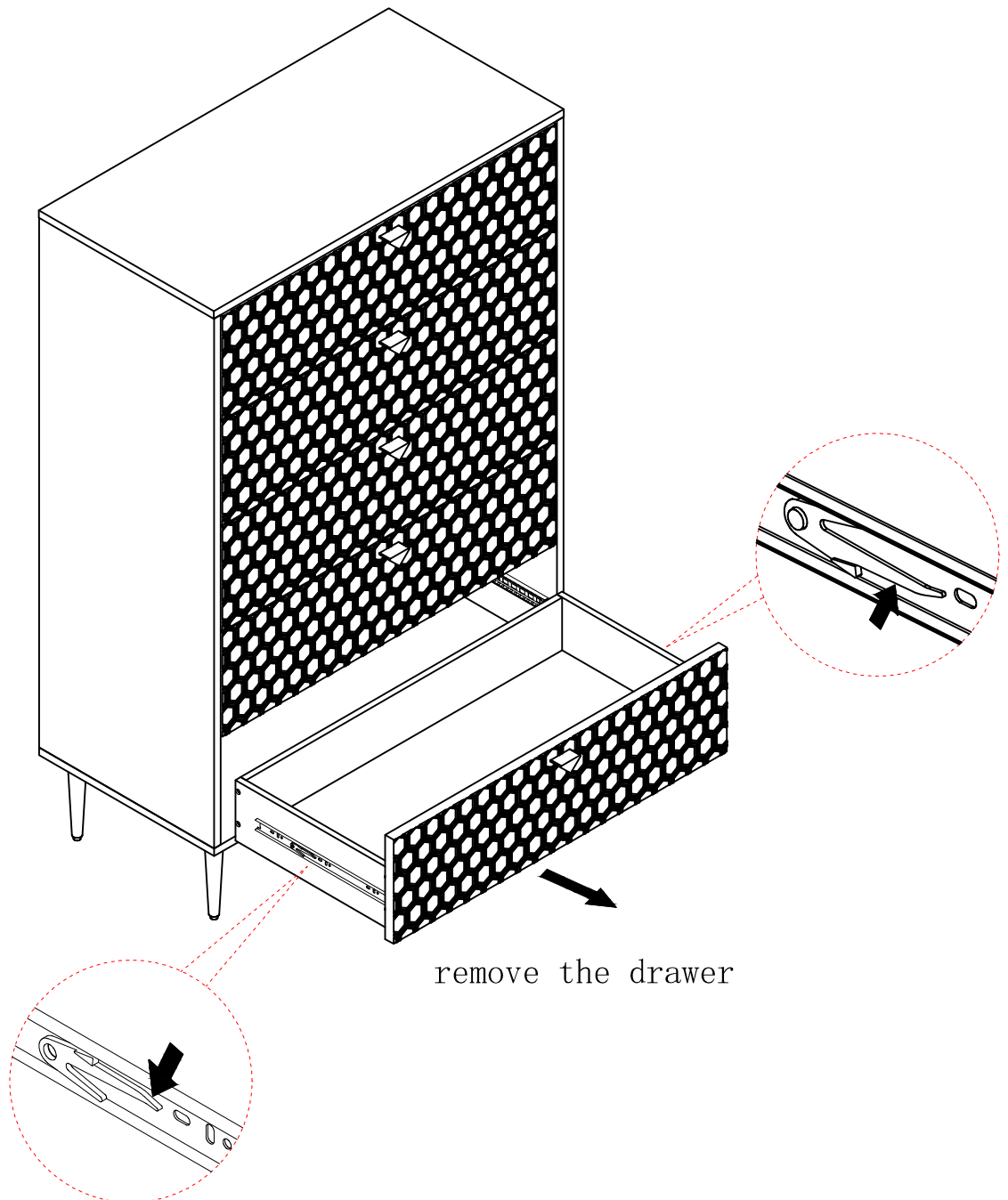
Reminder: If the front and both ends of the drawer are tilted, do not use force, You can refer to the above steps to smoothly insert the slide rail.

STEP 8



ASSEMBLY INSTRUCTION

STEP 9






remove the drawer

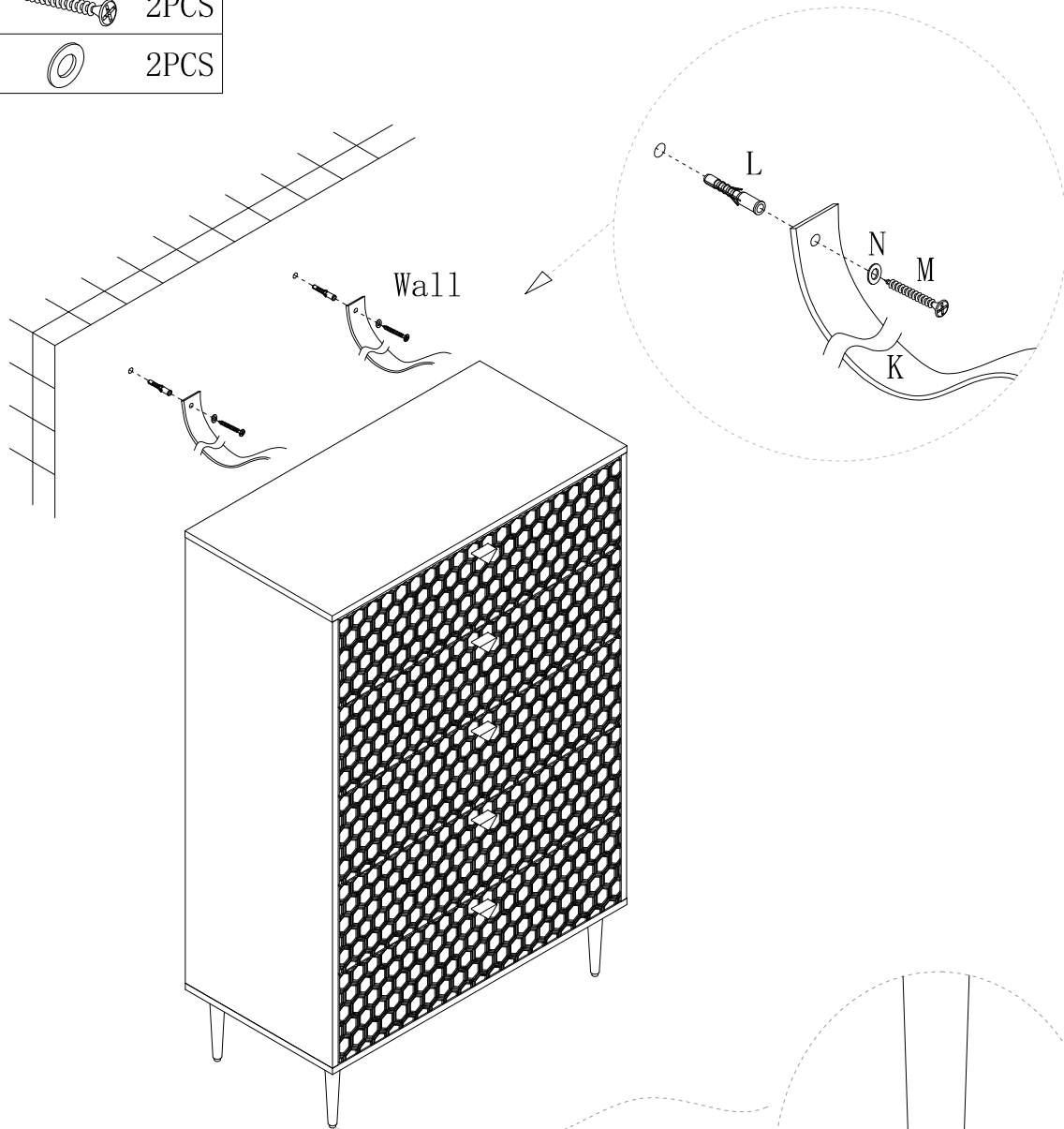
To remove the drawer. lift up on the left side buckle and press down on the right side buckle, operating both left and right at the same time, and move outward to remove it.

ASSEMBLY INSTRUCTION

STEP 10

L:		2PCS
M:		2PCS
N:		2PCS

For safety reasons,
it is recommended to install
safety wall strap to fix the item.



After installation, adjust the adjustable foot to keep the cabinet balanced and align the door.

