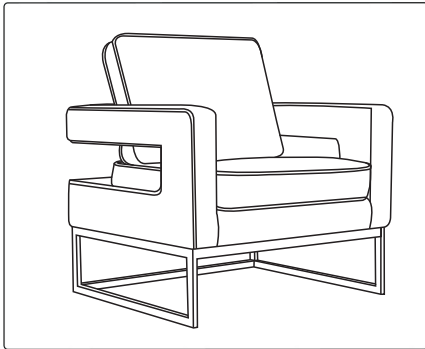


ASSEMBLY INSTRUCTIONS



+ Do Not Use Power Tools



+ Suggested Adults



NOTE:

- 1 Read instructions cover to cover.
- 2 Save all packaging until assembly is completed.

1 IMPORTANT SAFETY INFORMATION

Do not assemble the product if any of the following parts arrived damaged:

Part#-Chair set ①

Part#- Chair base ②

Do not assemble if any of the following hardware parts are missing:

Part#-Bolt Part#-Adjust

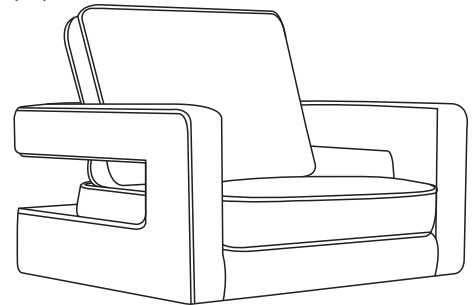
Part#-Allen key

2 IMPORTANT ASSEMBLY INFORMATION

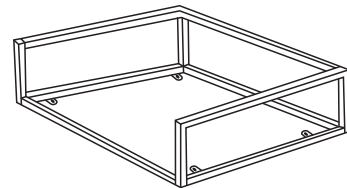
Assembly Step If loosening persists, please make sure to tighten all the bolts periodically, or use a thread locker adhesive.

+ Parts Included

- ① chair set (1pc)



- ② chair base (1pc)



+ Hardware Included

A



6mm

Allen Key
(1pc)

B



8mm

Bolt
(4pcs)

C

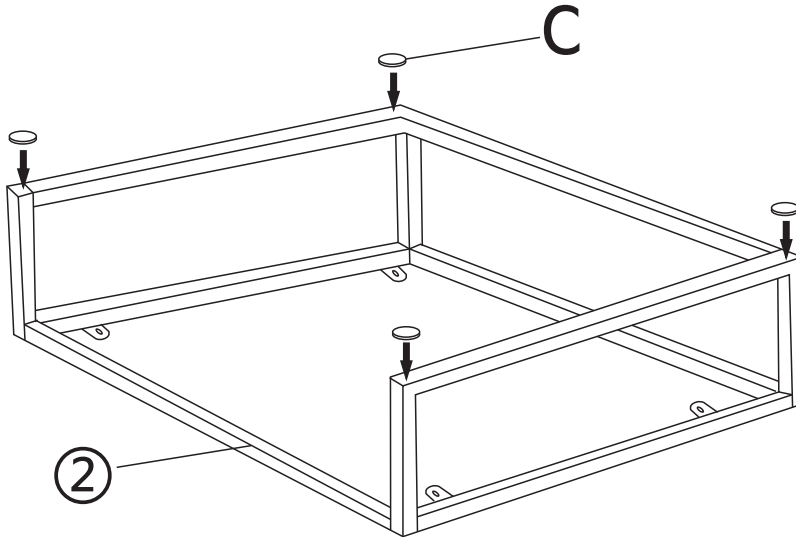


10

Adjust
(4pcs)

ASSEMBLY INSTRUCTIONS

1



2

