









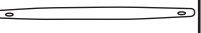





SAVOY COUNTERSTOOL ASSEMBLY INSTRUCTIONS

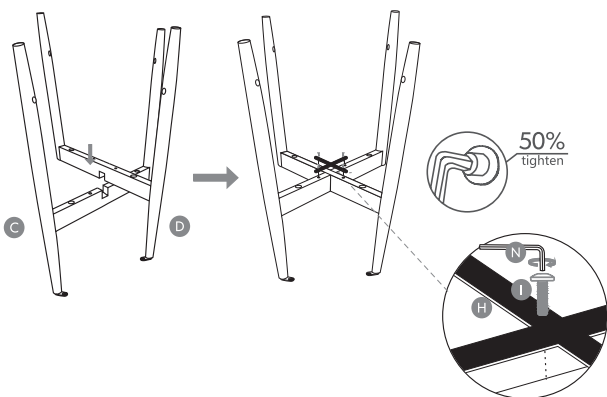
Parts List

Ref	Part Name	Part Image	QTY	Ref	Part Name	Part Image	QTY
A	Seat Cushion		1pc	H	X-Metal Plate		1pc
B	Back Cushion		1pc	I	M6*20mm Bolt		6pcs
C	Upper Leg		1pc	J	M6*50mm Bolt		4pcs
D	Lower Leg		1pc	K	M4*40mm Wood Screw		6pcs
E	Front Wood Strip		2pcs	L	Spring Washer		4pcs
F	Middle Wood Strip		1pc	M	Flat Washer		4pcs
G	Screwdriver		1pc	N	Allen Wrench		1pc

Step 1 – Assemble the Leg Frame

Attach each Upper Leg (C) to a Lower Leg (D). Place the X-Metal Plate (H) at the cross-connection of the legs. Secure with four M6 × 20mm Bolts (I) using the Allen Wrench (N). Tighten bolts halfway (50%) only.

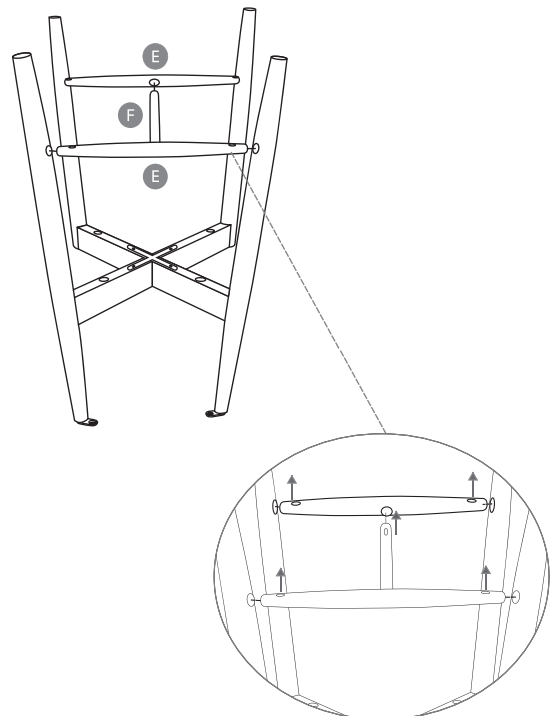
Note: Ensure the elliptical iron fittings on the legs face the correct direction (see diagram).



Step 2 – Attach the Strips

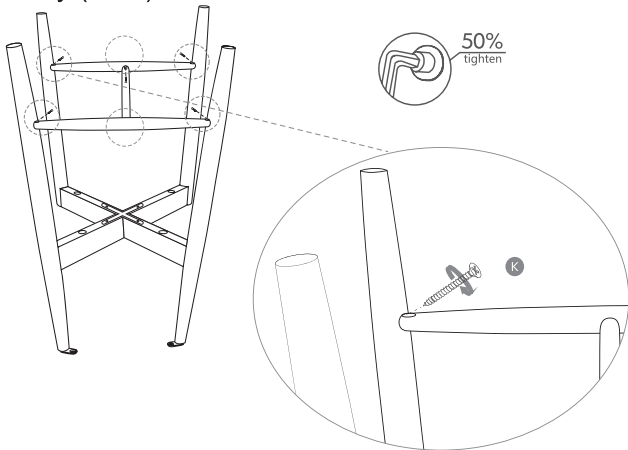
Connect the Front and Back Strips (E) and the Middle Strip (F) to the leg frame.

Note: Align the screw holes in the correct direction (see diagram).



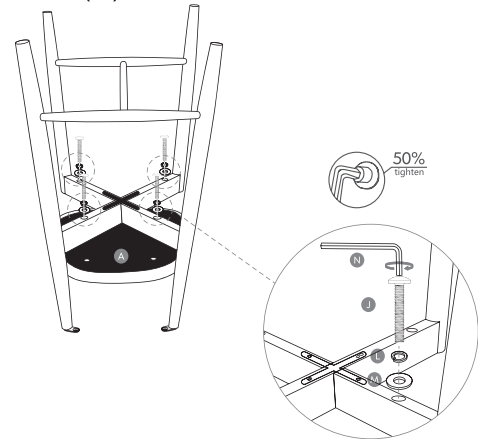
Step 3 – Secure the Strips

Insert six M4 × 40mm Wood Screws (K) into the screw holes. Use the Screwdriver (G) to tighten screws halfway (50%).



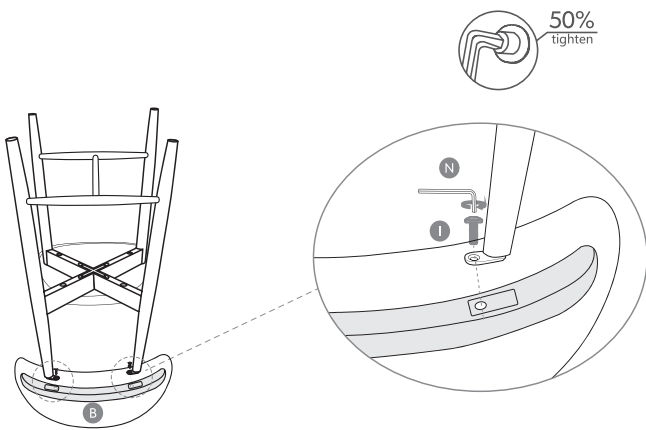
Step 4 – Attach the Seat Cushion

Place the Seat Cushion (A) on the assembled frame. Secure with four M6 × 50mm Bolts (J), four Spring Washers (L), and four Flat Washers (M). Tighten with the Allen Wrench (N) to 50%.



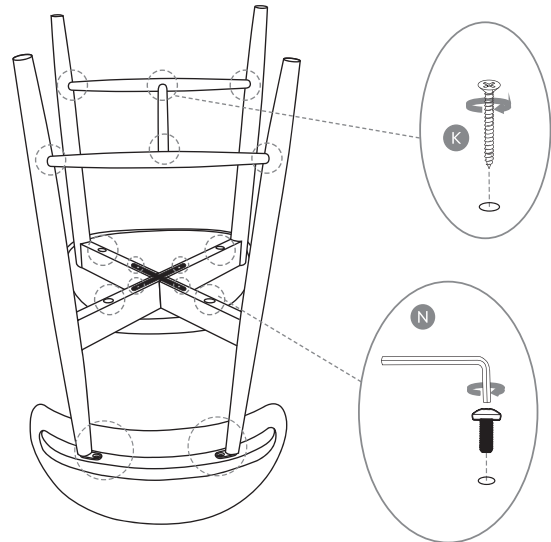
Step 5 – Attach the Back Cushion

Secure the Back Cushion (B) to the frame using two M6 × 20mm Bolts (I). Tighten with the Allen Wrench (N) to 50%.

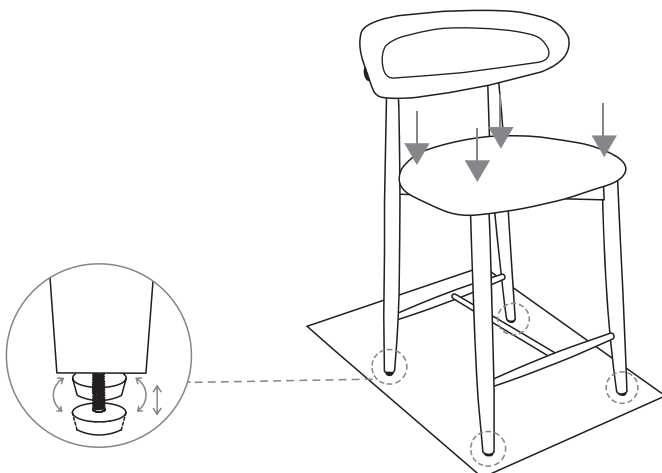


Step 6 – Final Tightening

Once all parts are in place, tighten all screws and bolts fully (100%).



Your Savoy Counterstool is now ready for use!



CAUTION - Important Information

- Check hardware and furniture parts list for guidance and ensure all parts are included before assembly
- Place all furniture parts on a clean, flat and soft surface to prevent scratches and damage
- Do not fully tighten bolts until all parts are safely assembled
- Do not over tighten bolts to avoid damage to threads