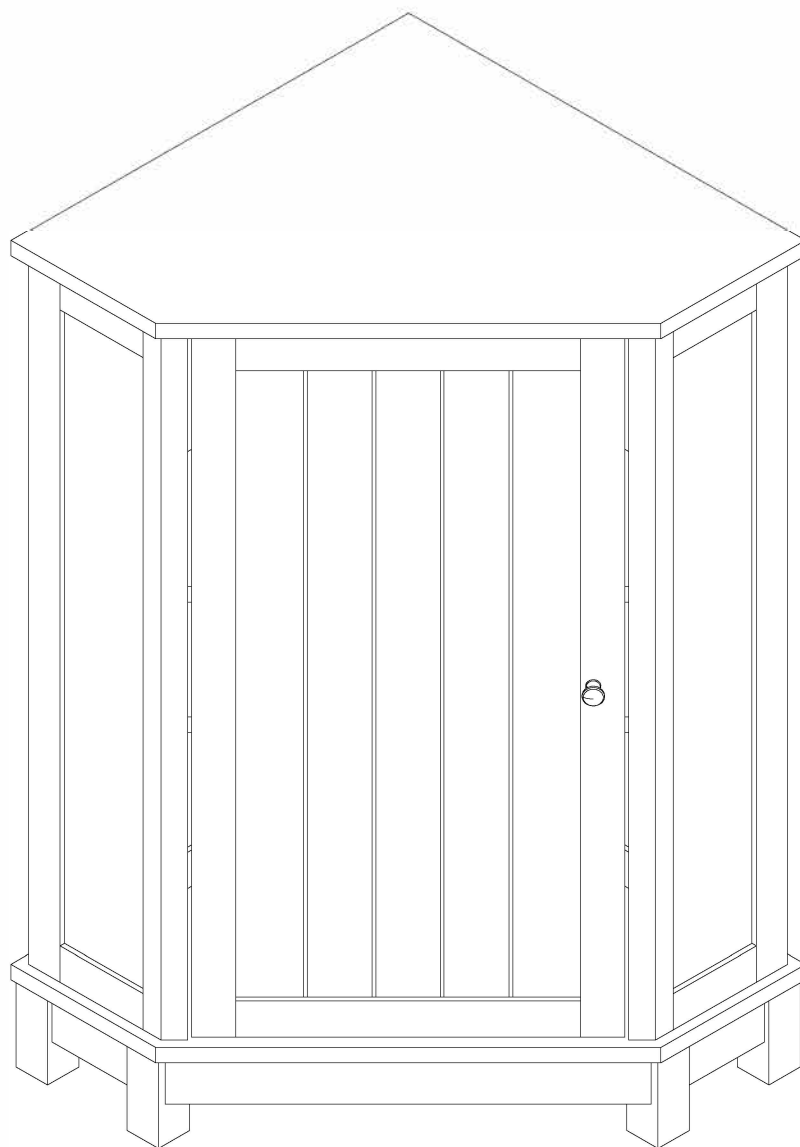
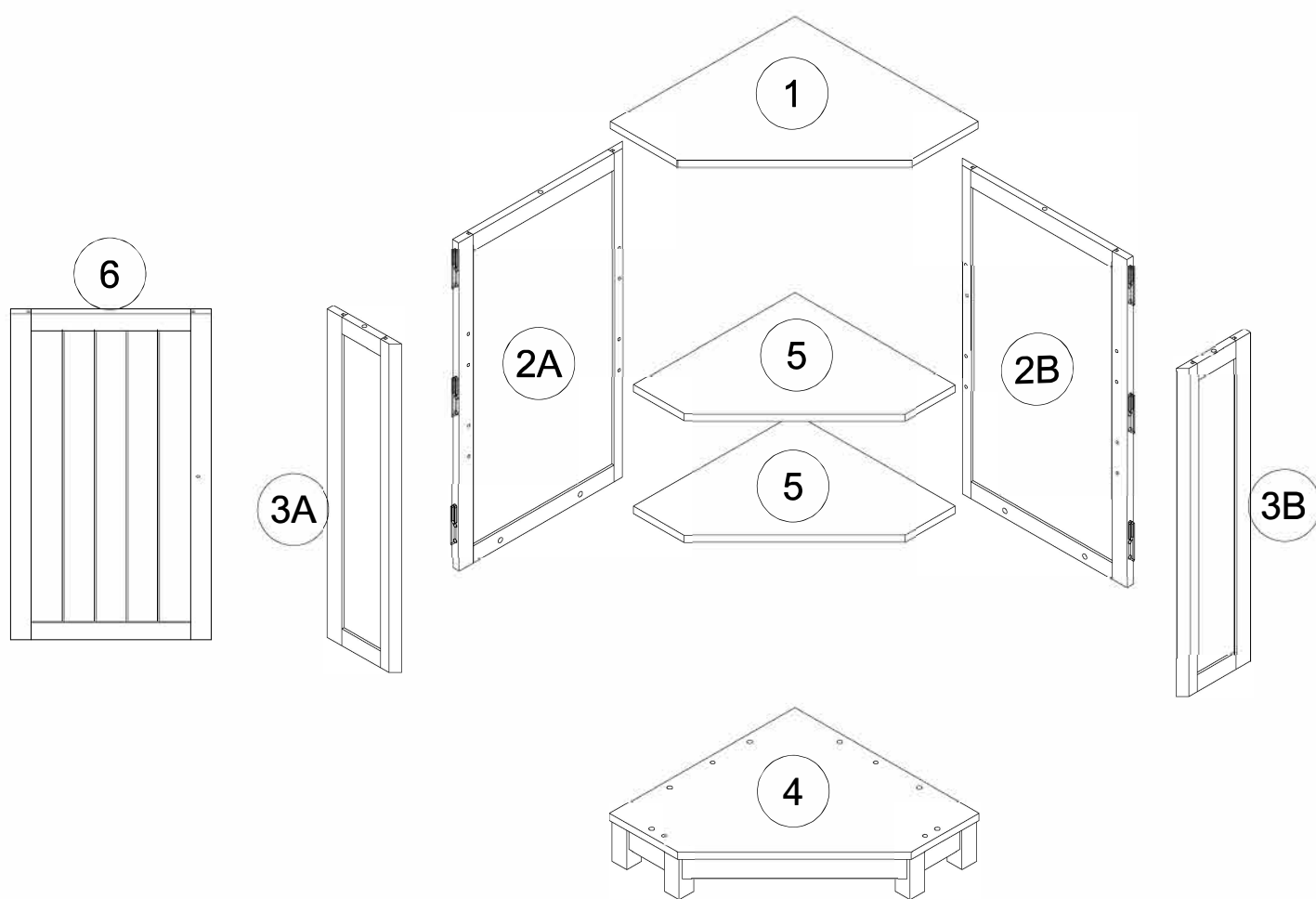


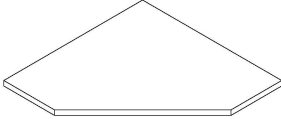
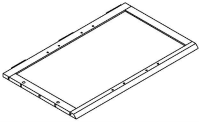
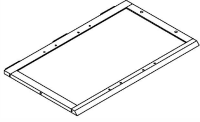
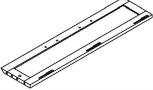
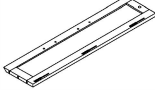
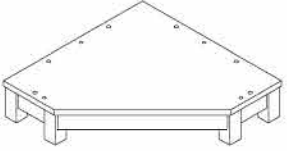
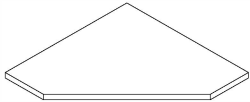
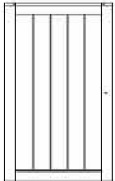
ASSEMBLY INSTRUCTIONS



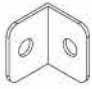

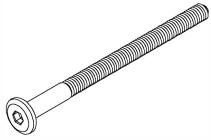
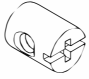
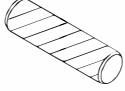
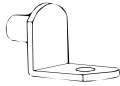


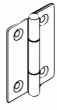

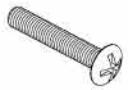



ASSEMBLY INSTRUCTIONS

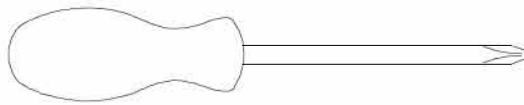


Part List

<p>1</p>  <p>Top of Cabinet - 1 pc</p>	<p>2A</p>  <p>Left side - 1 pc</p>	<p>2B</p>  <p>Right side - 1 pc</p>
<p>3A</p>  <p>Left side - 1 pc</p>	<p>3B</p>  <p>Right side - 1 pc</p>	<p>4</p>  <p>Bottom of the cabinet - 1 pc</p>
<p>5</p>  <p>Adjustable shelf - 2 pcs</p>	<p>6</p>  <p>Cabinet door - 1 pc</p>	

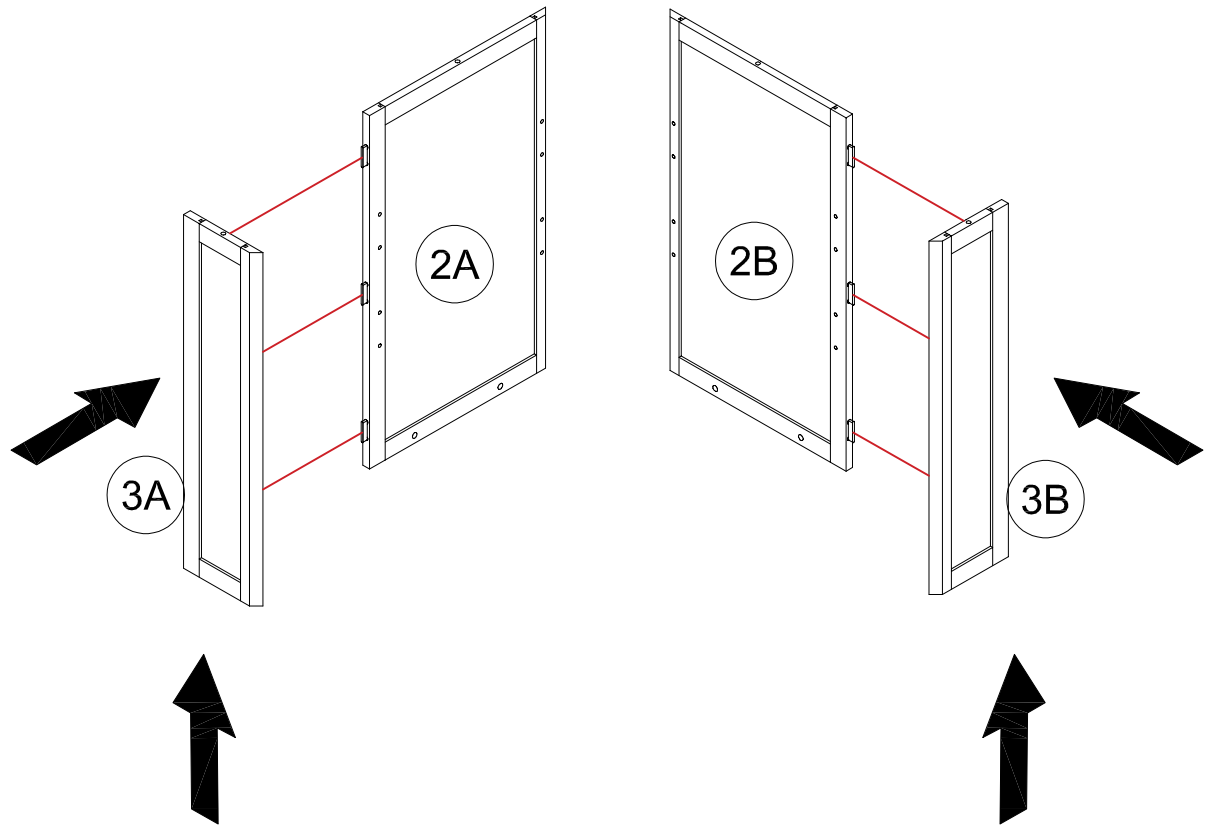
Hardware List

<p>A</p>  <p>Steel Bracket 11 pcs</p>	<p>B</p>  <p>M3.5 x 15 mm Wood Screws 30 pcs</p>	<p>C</p>  <p>1/4" x 80mm Hex-Head bolts 6 pcs</p>
<p>D</p>  <p>Ø10.5 x 12 mm Horizontal -Hole bolts 6 pcs</p>	<p>E</p>  <p>Ø8 x 30 mm Wood dowel 8 pcs</p>	<p>F</p>  <p>Shelf Pin 9mm 6 pcs</p>
<p>G</p>  <p>a b Magnetic catcher 1 set</p>	<p>H</p>  <p>M3.5 x 12mm Wood Screws 6 pcs</p>	<p>I</p>  <p>Hinge 2 pcs</p>
<p>J</p>  <p>M4 x 20 mm Wood Screws 4 pcs</p>	<p>K</p>  <p>M4 x 20 mm Truss Head Wood Screws 1 pc</p>	<p>L</p>  <p>Cabinet Door Handle 1 pc</p>
<p>M</p>  <p>1 2 3 4 5 Antifall 2 sets</p>	<p>N</p>  <p>Allen Key 1 pc</p>	

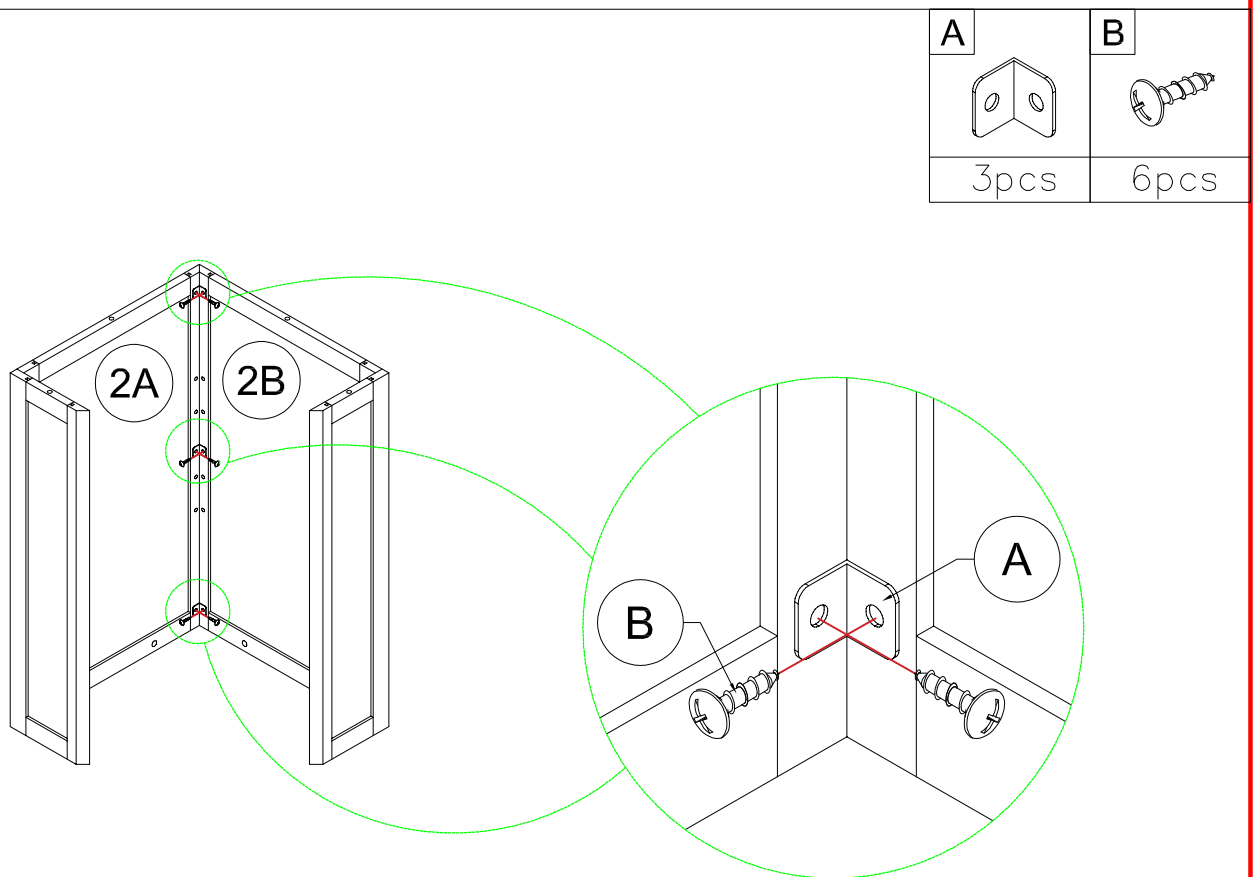


Assembly Tools Required (Not Included)

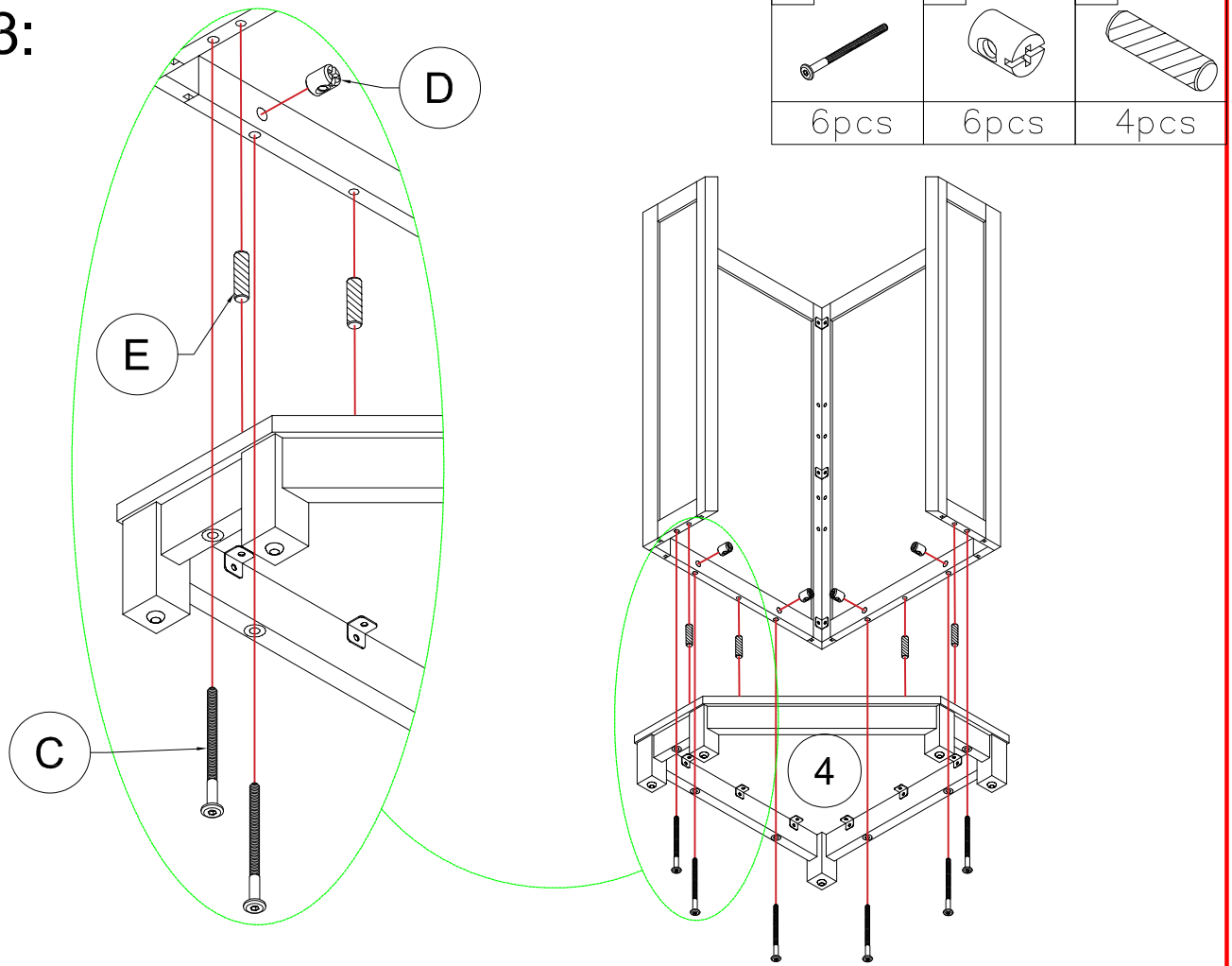
Step 1:



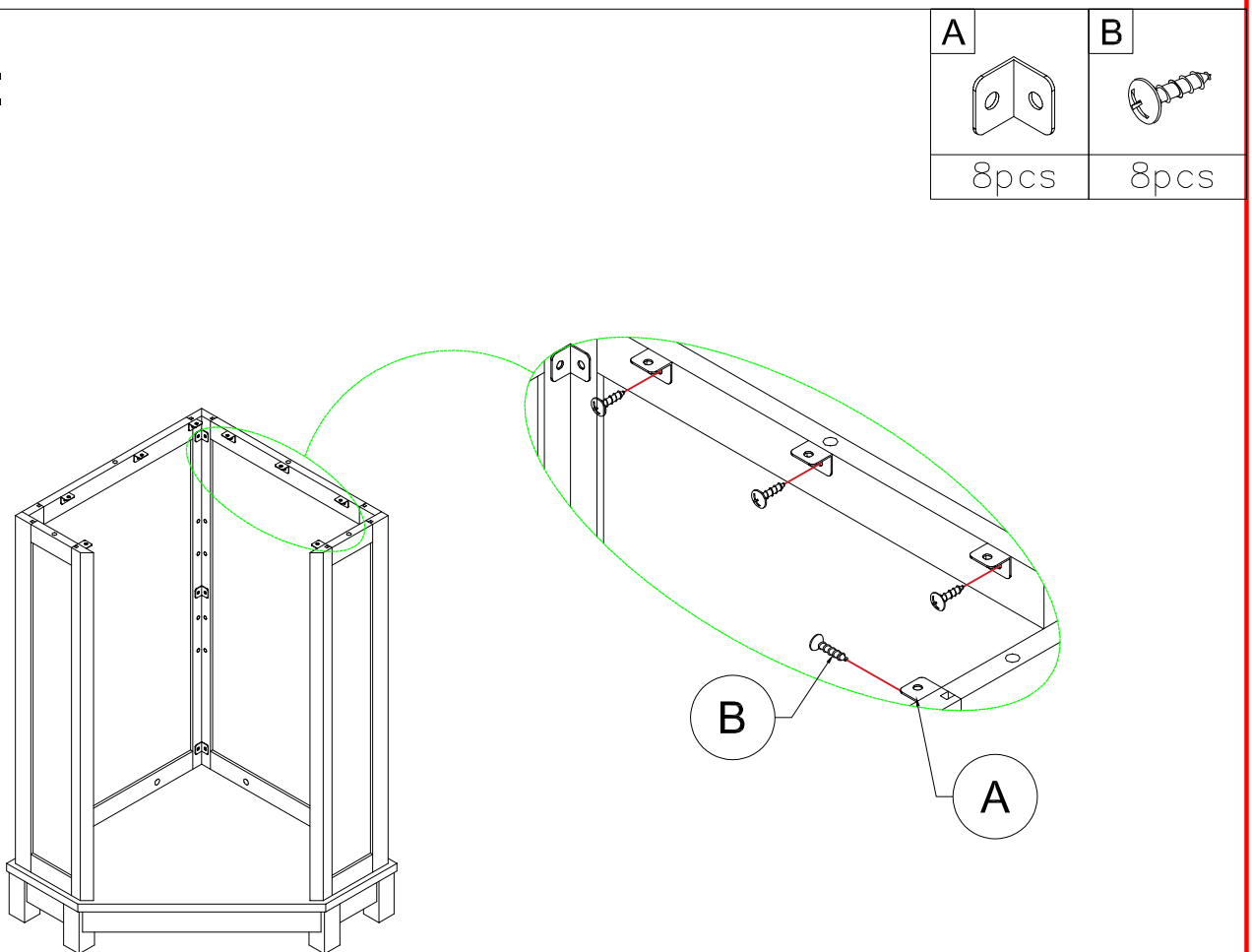
Step 2:



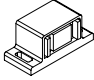
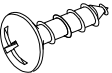
Step 3:

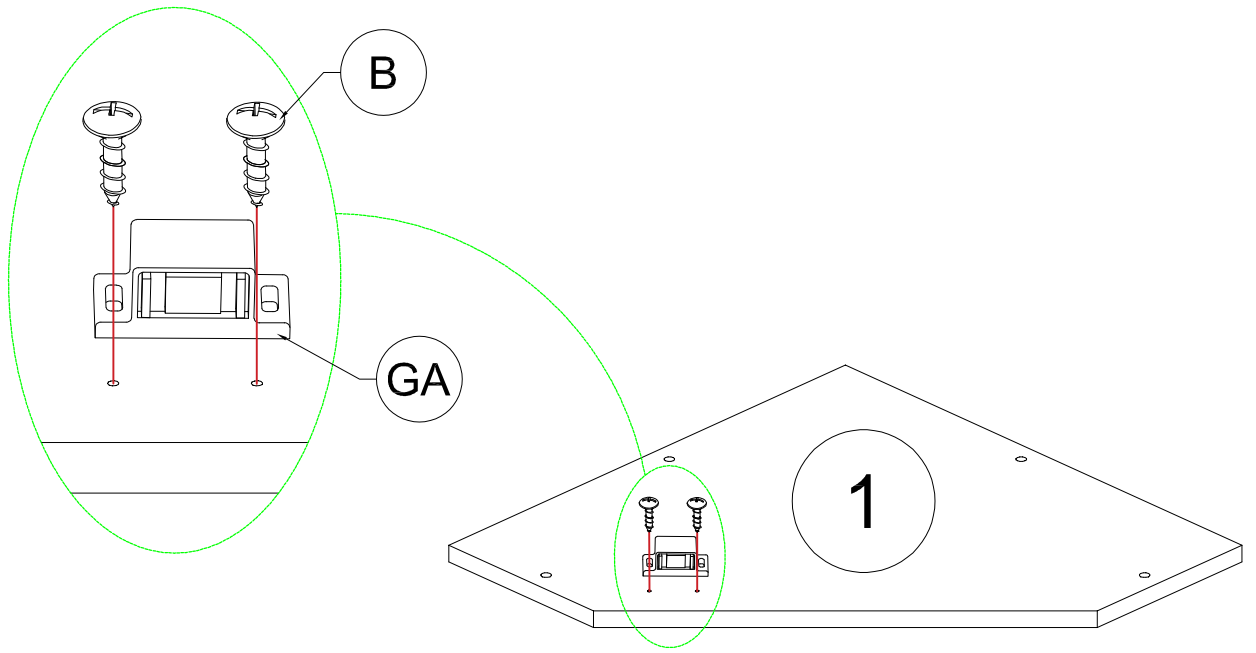


Step 4:

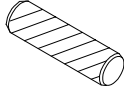



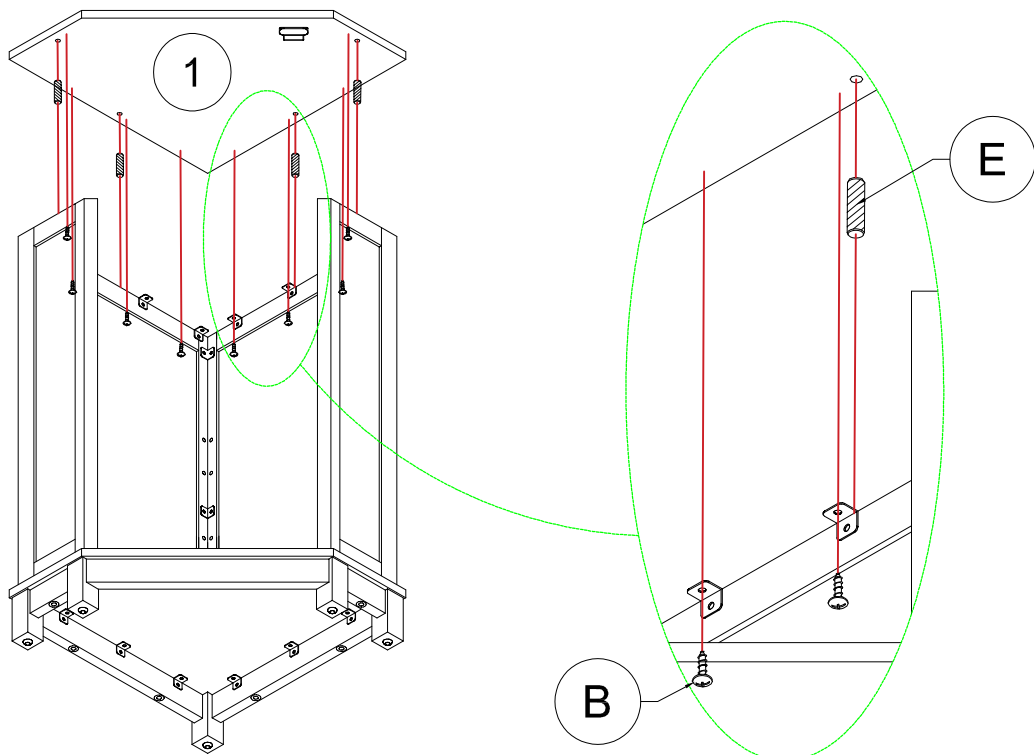
Step 5:

G-A	B
	
1pc	2pcs

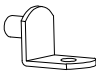
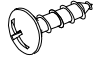


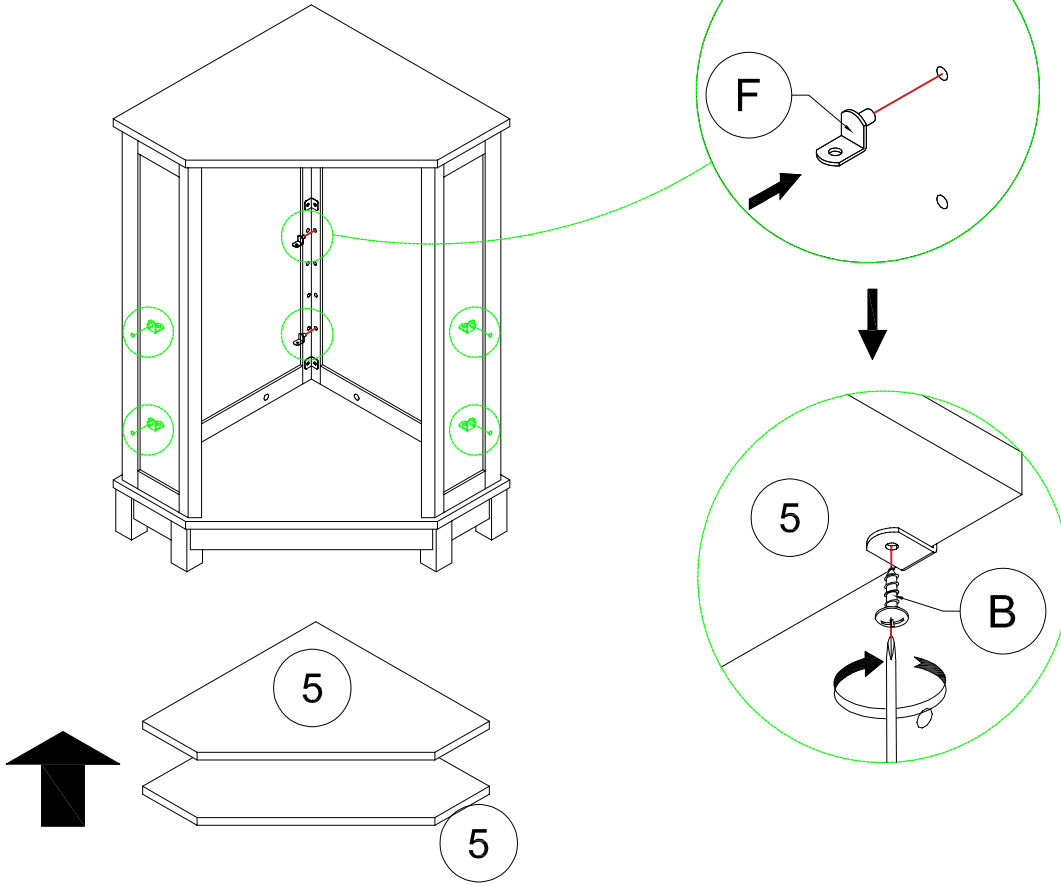
Step 6:

E	B
	
4pcs	8pcs


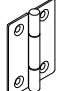
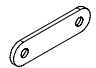



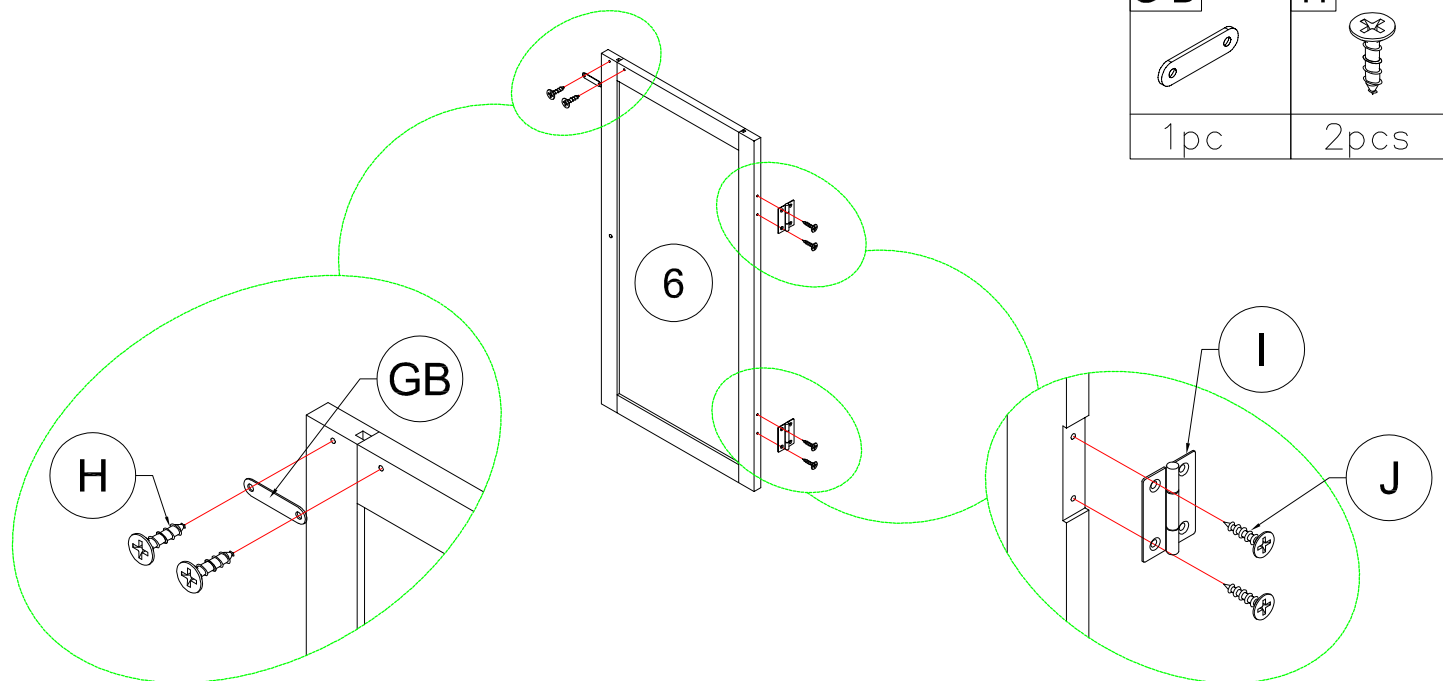
Step 7:

F	B
	
6pcs	6pcs

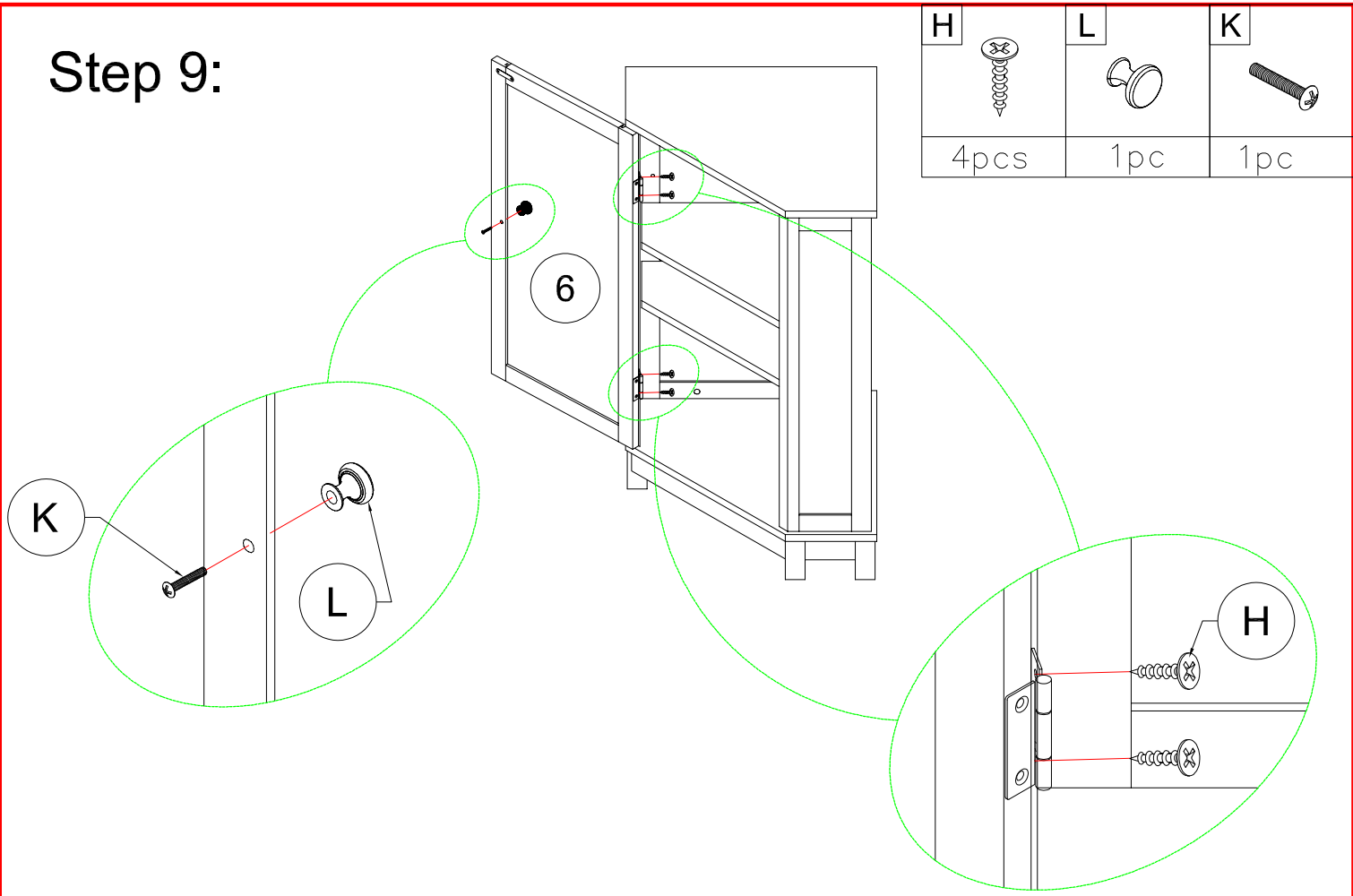


Step 8:

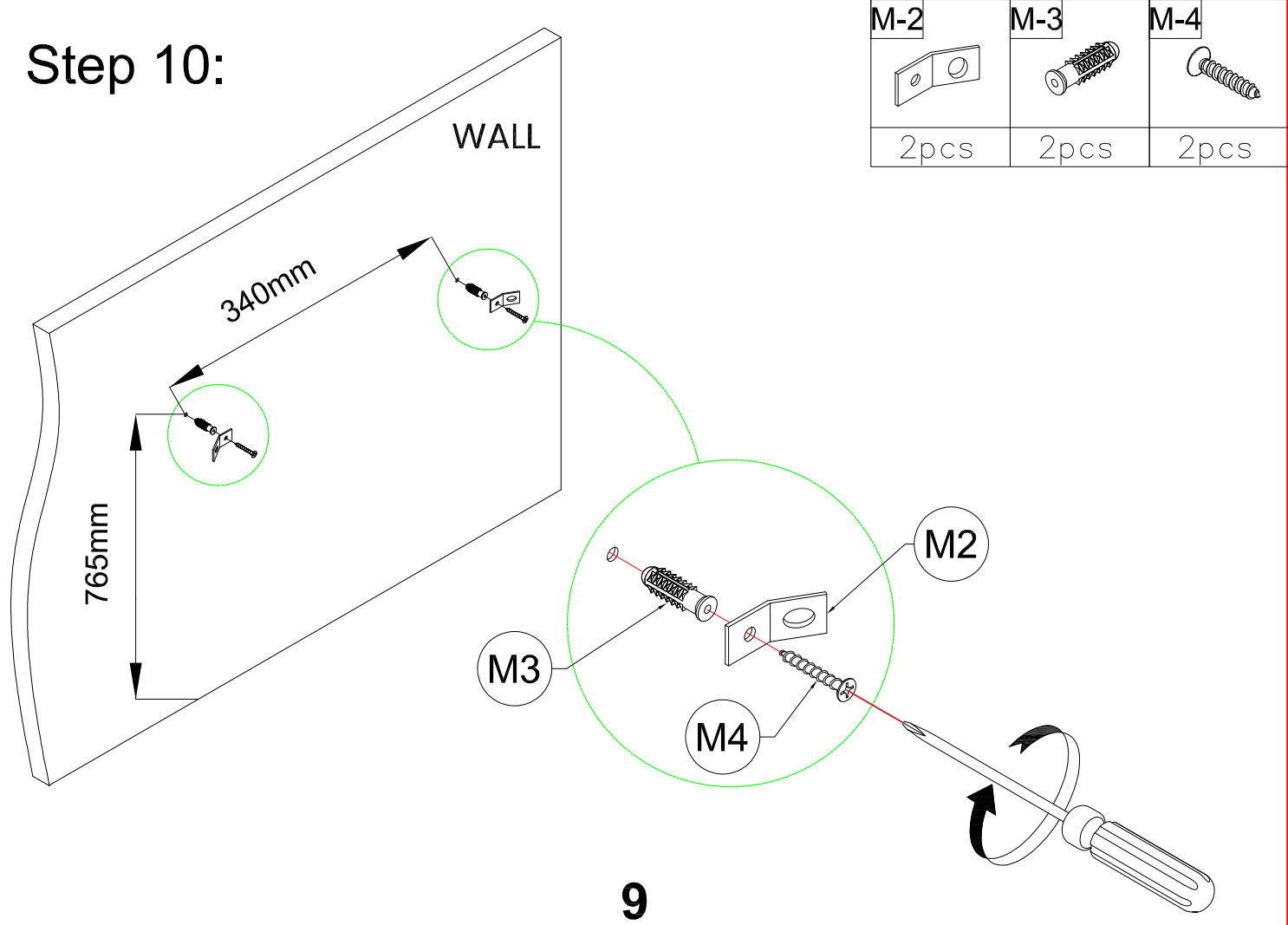
J	I
	
4pcs	2pcs
G-B	H
	
1pc	2pcs



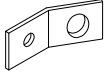

Step 9:

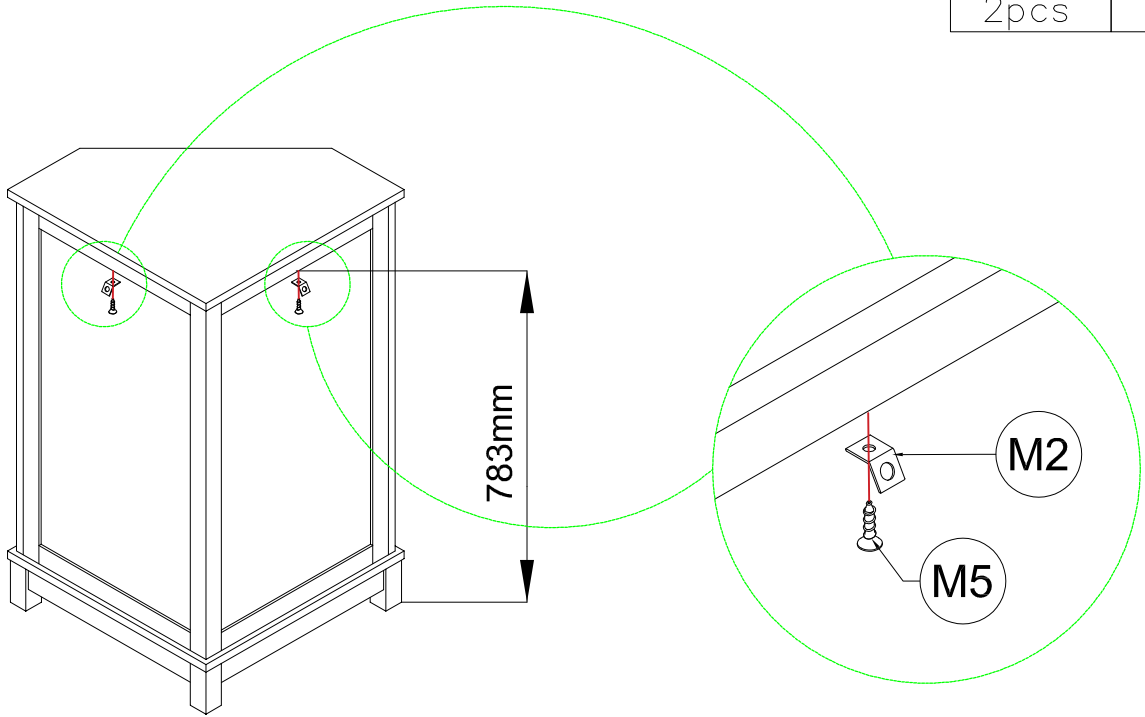


Step 10:




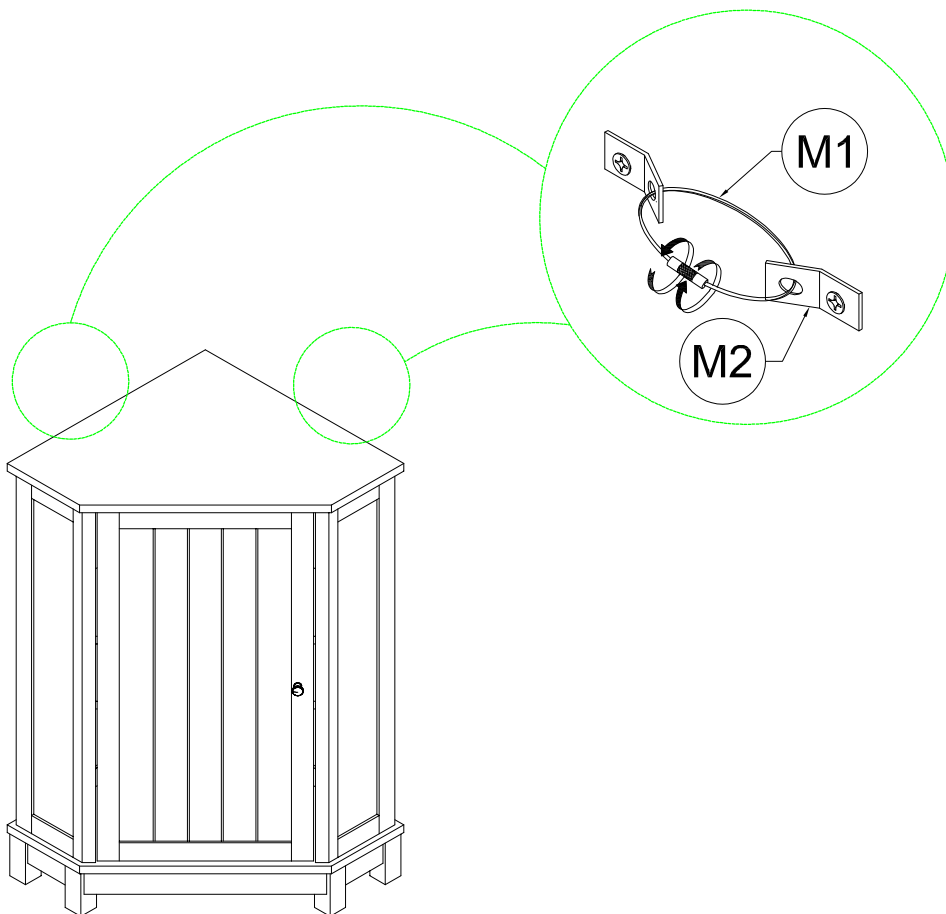
Step 11:

M-2	M-5
	
2pcs	2pcs



Step 12:

M-1

2pcs



FINISH

