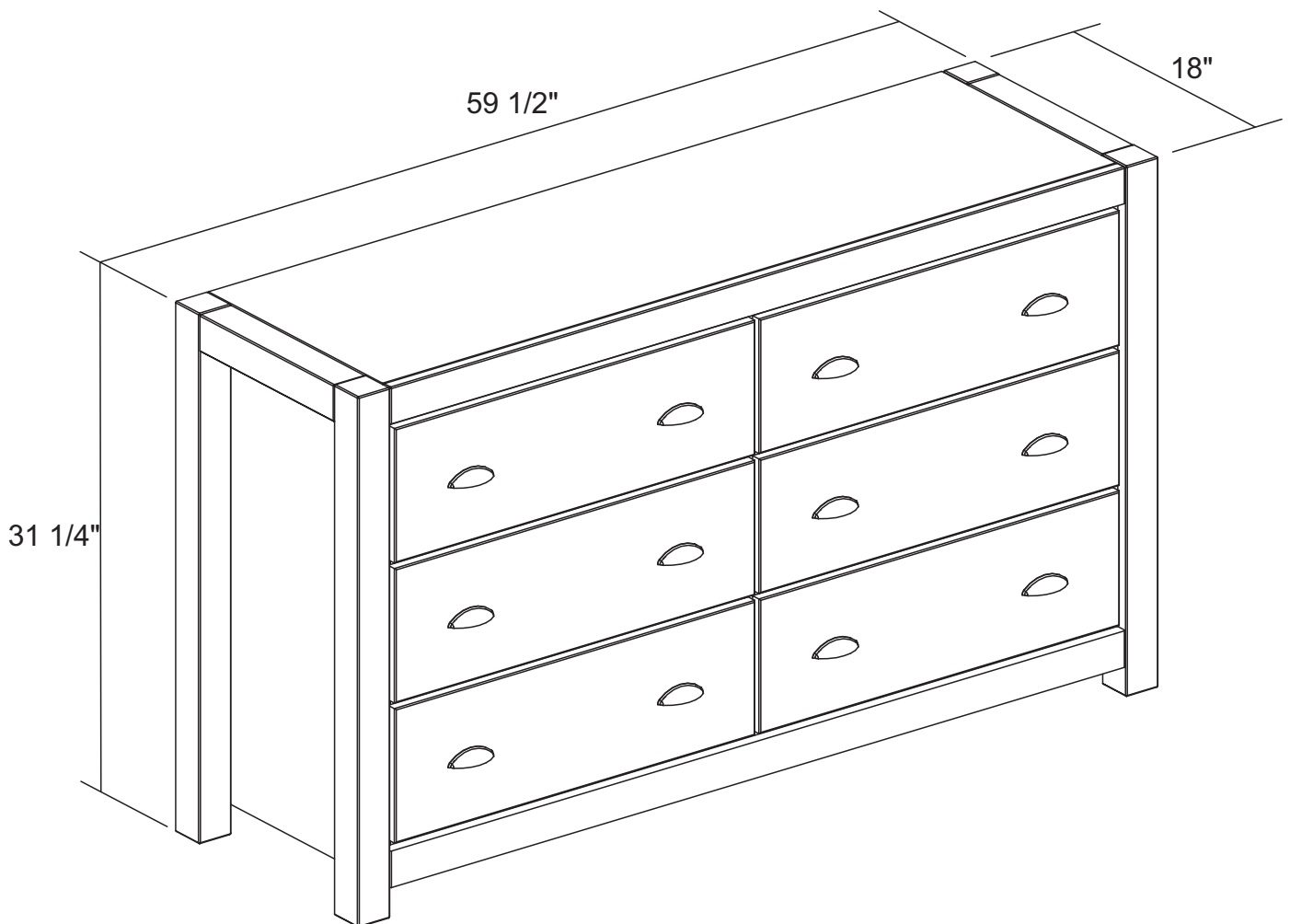


Assembly Instructions

Montauk Collection 6 Drawer Dresser



Thank you for purchasing our furniture, it's an honor to be in your home!

Every effort has been made to ensure your Wood Furniture is of the finest quality. If you have any questions or need any replacement parts, please do not hesitate to contact us at www.grainwoodfurniture.com.



www.grainwoodfurniture.com

				<table border="1"> <thead> <tr> <th>Model #</th> <th>Finish</th> </tr> </thead> <tbody> <tr> <td>MT0511</td> <td>Rustic Walnut</td> </tr> <tr> <td>MT0512</td> <td>Rustic Off-White</td> </tr> <tr> <td>MT0520</td> <td>Rustic Grey</td> </tr> <tr> <td>MT0524</td> <td>Driftwood</td> </tr> </tbody> </table>	Model #	Finish	MT0511	Rustic Walnut	MT0512	Rustic Off-White	MT0520	Rustic Grey	MT0524	Driftwood	<table border="1"> <thead> <tr> <th>Model #</th> <th>Finish</th> </tr> </thead> <tbody> <tr> <td>MT0511</td> <td>Rustic Walnut</td> </tr> <tr> <td>MT0512</td> <td>Rustic Off-White</td> </tr> <tr> <td>MT0520</td> <td>Rustic Grey</td> </tr> <tr> <td>MT0524</td> <td>Driftwood</td> </tr> </tbody> </table>	Model #	Finish	MT0511	Rustic Walnut	MT0512	Rustic Off-White	MT0520	Rustic Grey	MT0524	Driftwood
Model #	Finish																								
MT0511	Rustic Walnut																								
MT0512	Rustic Off-White																								
MT0520	Rustic Grey																								
MT0524	Driftwood																								
Model #	Finish																								
MT0511	Rustic Walnut																								
MT0512	Rustic Off-White																								
MT0520	Rustic Grey																								
MT0524	Driftwood																								

MADE IN BRAZIL

PLEASE READ BELOW BEFORE BEGINNING YOUR ASSEMBLY

Here are some tips on assembling your flat-pack furniture in order to minimize your assembly time and frustrations:

- Do Not throw away packaging material until assembly is complete.
- Assemble the item on a soft surface, such as cardboard or old blanket, to protect finish from possible dents or scratches.
- Choose a spacious, open area near where the piece will be located. It is easier to move parts than to relocate the furniture after it is fully assembled, depending on its size and weight.
- Organize everything and count it twice. If you organize the items by parts, you'll find it much easier to grab each piece as you build.
- Real Wood furniture may present imperfections such as wood knots, minor splits or cracks that are part of the natural aspect of the material. In few cases, also can be caused by variations of air moisture and temperature. Whenever stability of the piece of furniture is not compromised we recommend customers to perform cosmetic touch-ups by wax crayon fillers sold at all major hardware stores.
- It is best to use any tools the kit provides, such as a hex key, because they may be specially sized for that piece of furniture. We do not recommend the use of power drill, it can damage your furniture if not used correctly.
- Read the entire list of instructions, arranging your parts in order of use as you go.
- Finally, Enlist a help from friends and family since proper assembly of most items require 2 people.




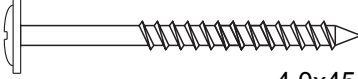


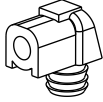

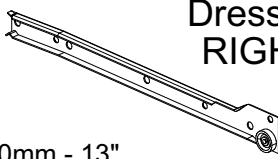
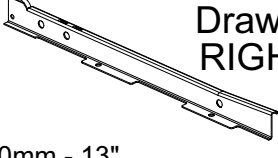
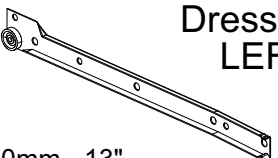
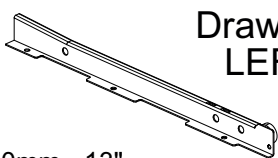
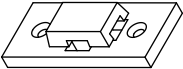

Wood Furniture Care:

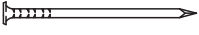
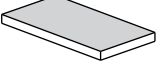

- *Clean with a cloth dampened with water or furniture polish following the pattern of the grain.*
- *Do NOT use solvents such as alcohol for cleaning.*
- *Avoid placing under direct sun light, to prevent UV damage.*
- *Avoid positioning very close to heaters or AC vents.*
- *Hot pads should always be used when placing warm serving dishes on your furniture.*
- *Very hot items such as a sauce pan or baking dish should never be placed on a tabletop, even with a hot pad.*
- *Place mats will help to protect the finish from dishes and silverware, and coasters will help protect your furniture from moisture.*

Enjoy your Real Wood Furniture!



HARDWARE LIST

A1	 4,0x30	69 + 2
A4	 3,5x14	25 + 1
A15	 M4x22	24 + 2
A40	 4,0x45	12
B31	 6,0x10	48 + 2
C2	 8,0x25	83 + 2
D21		06
D34		02
E13	 Dresser RIGHT 330mm - 13"	06
E13	 Drawer RIGHT 330mm - 13"	06
E14	 Dresser LEFT 330mm - 13"	06
E14	 Drawer LEFT 330mm - 13"	06
F8		02
F9		01

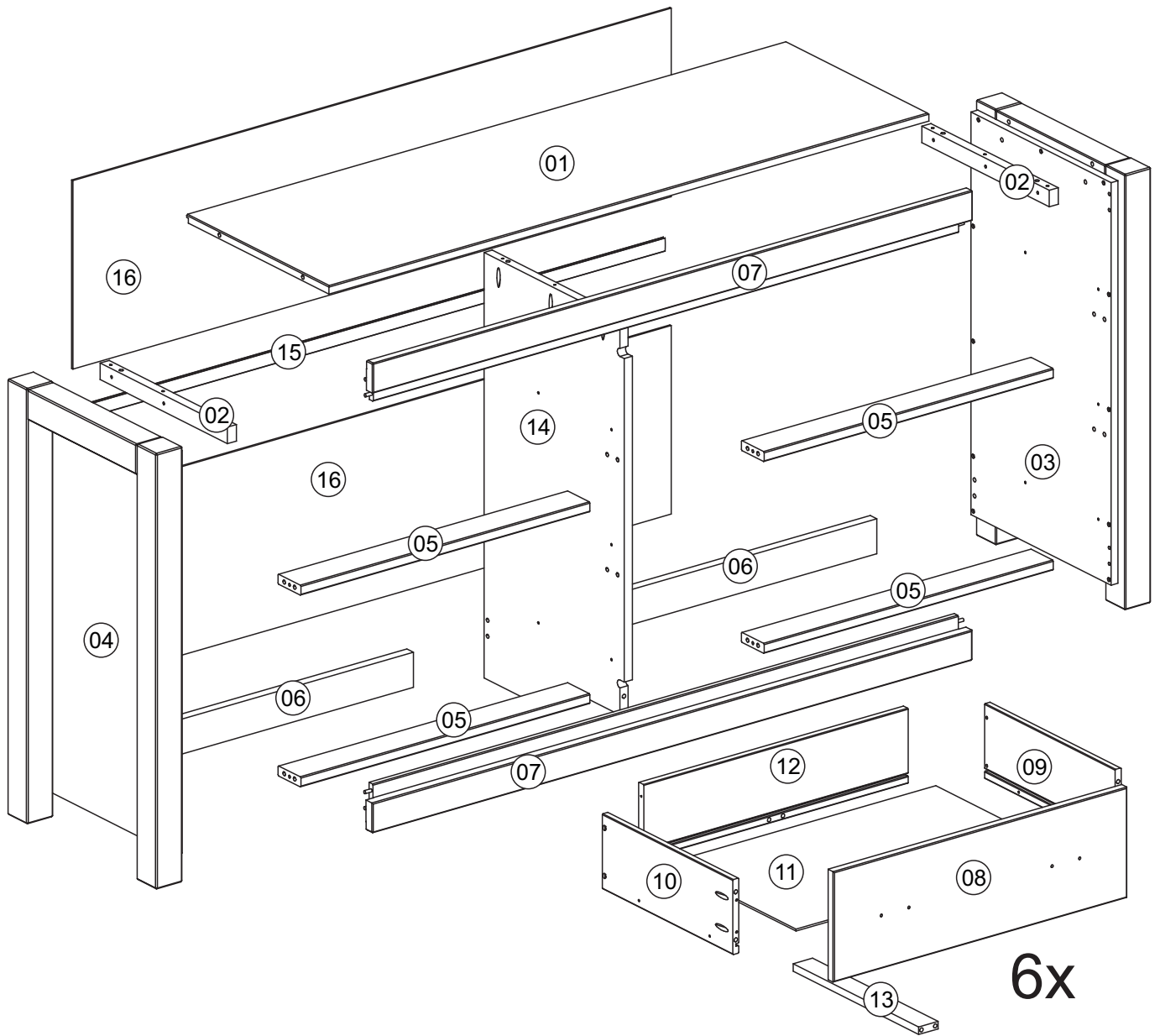
G1	 10x10	26
G11		06
H6	 Pz04	12

ATTENTION

Before starting assembly please verify if the hardware set is complete.

For missing hardware please contact us at
www.grainwoodfurniture.com

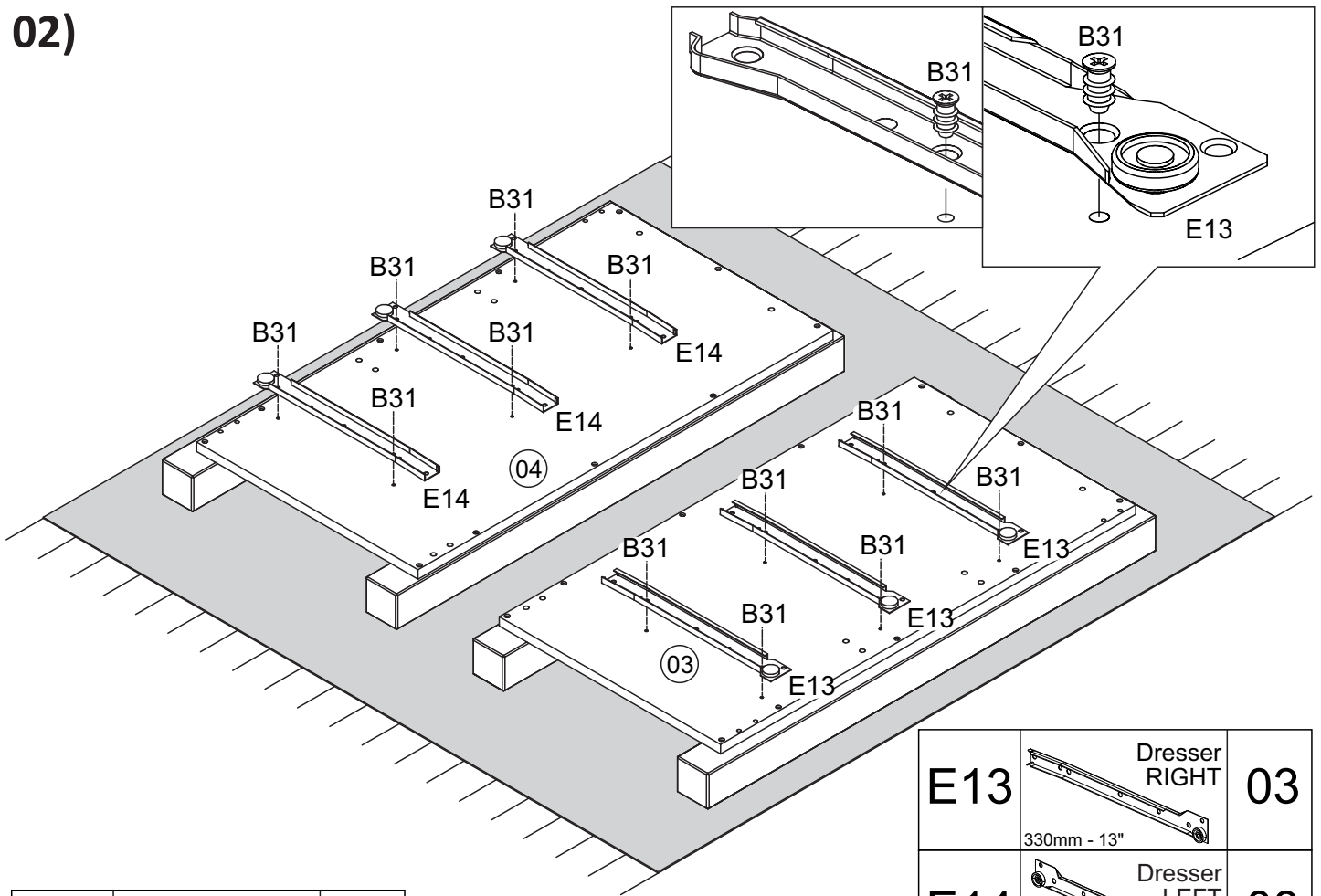
WARNING:
CHOKING HAZARD
- Small Parts, not for Children.
To be Assembled by an Adult.

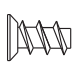


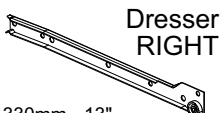
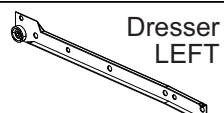
Parts list

Box 1			Box 2		
Part #	Description	qty	Part #	Description	qty
01	Top	1	02	Cleat	2
05	Middle crosspiece	4	03	Right side	1
06	Rear Crosspiece	2	04	Left side	1
07	Upper / Lower crosspiece	2	09	Drawer right side	6
08	Drawer front	6	10	Drawer Left side	6
11	Drawer bottom	6	12	Drawer back	6
15	Profile "H"	1	13	Drawer bottom support	6
16	Back panel	2	14	Division	1
				Hardware	1

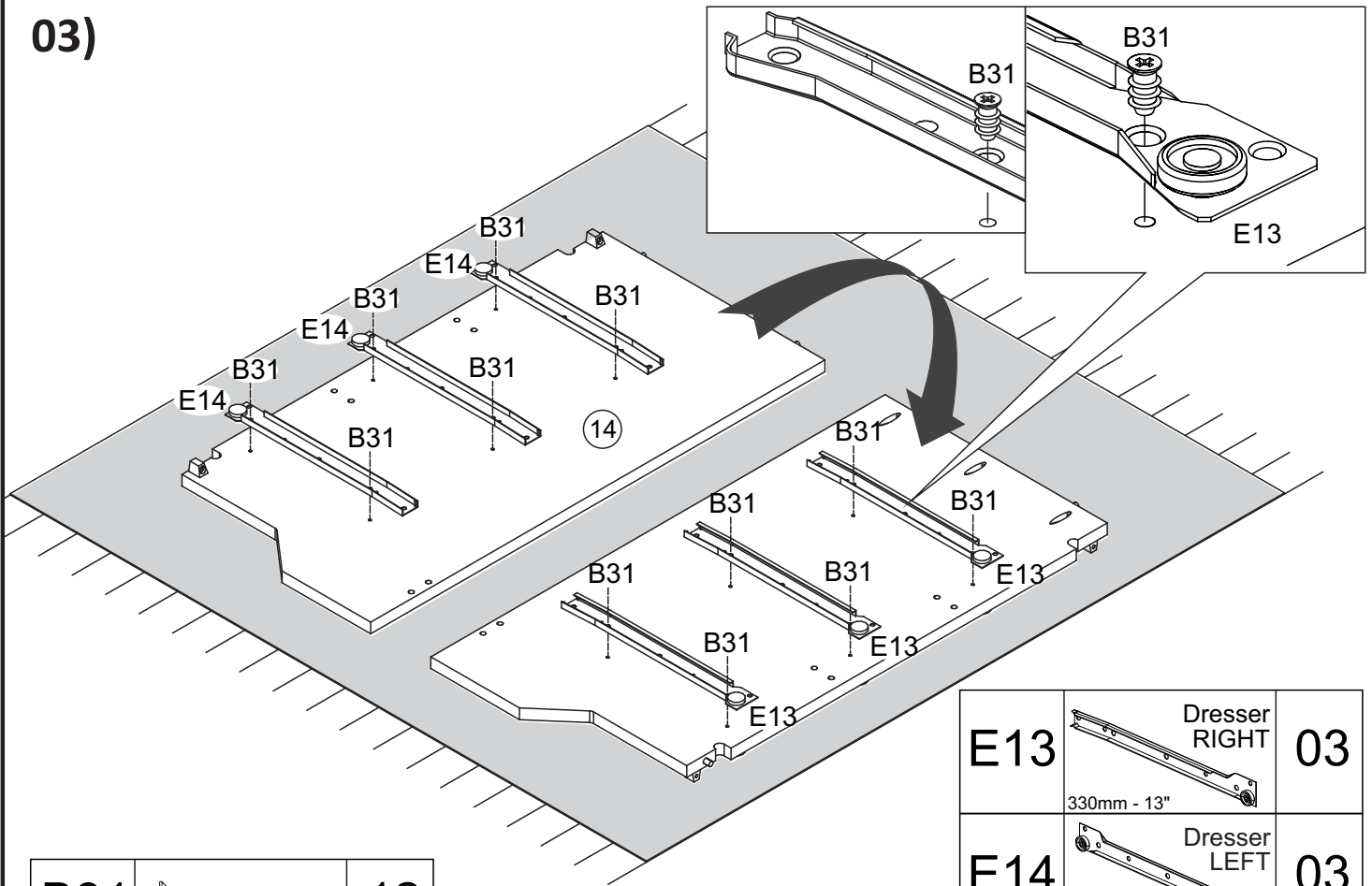
02)

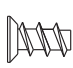


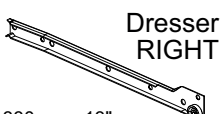
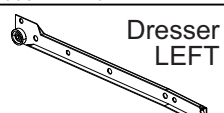
B31		12
6,0x10		

E13		Dresser RIGHT	03
330mm - 13"			
E14		Dresser LEFT	03
330mm - 13"			

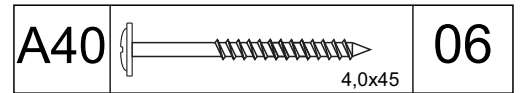
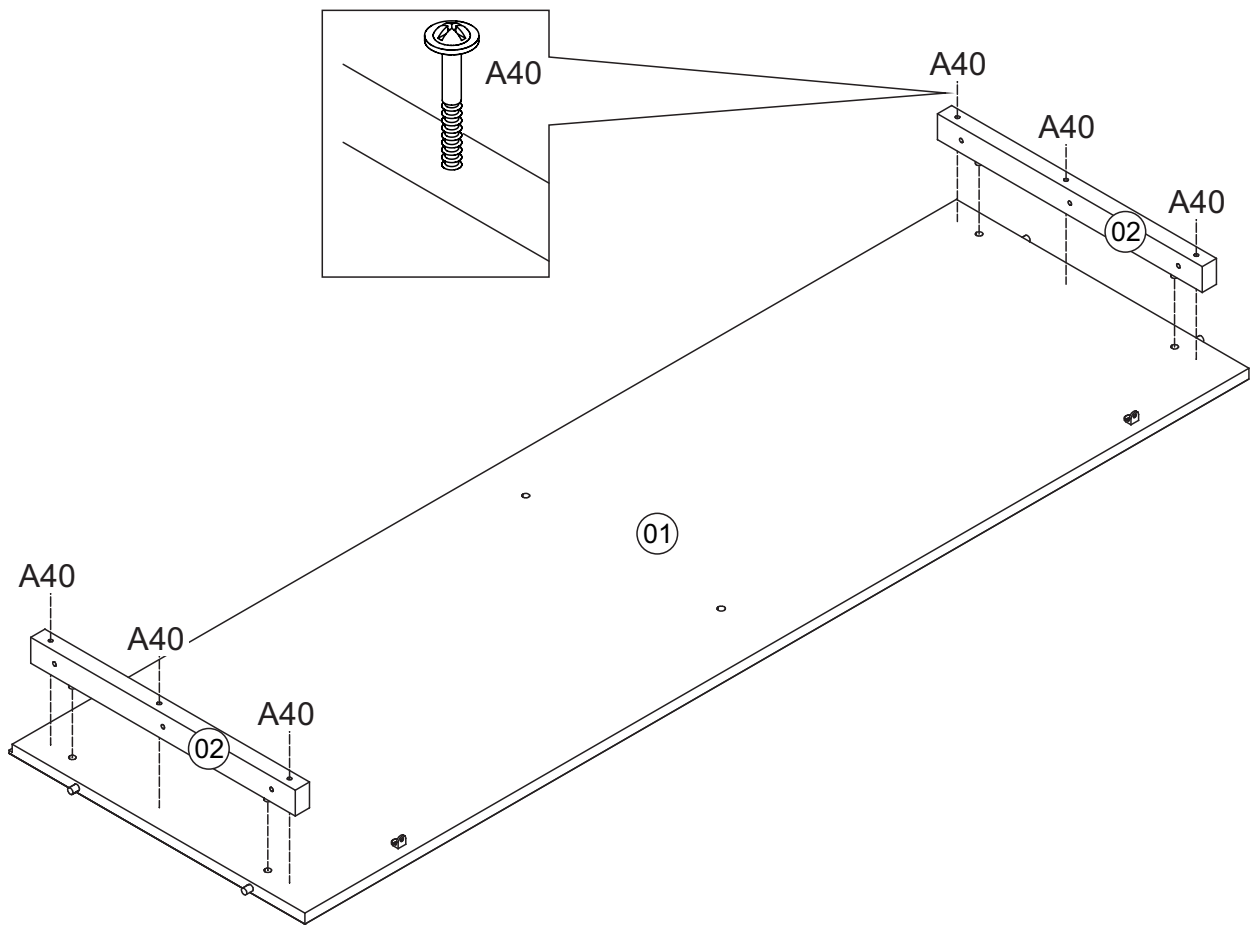
03)



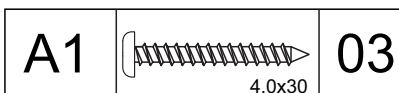
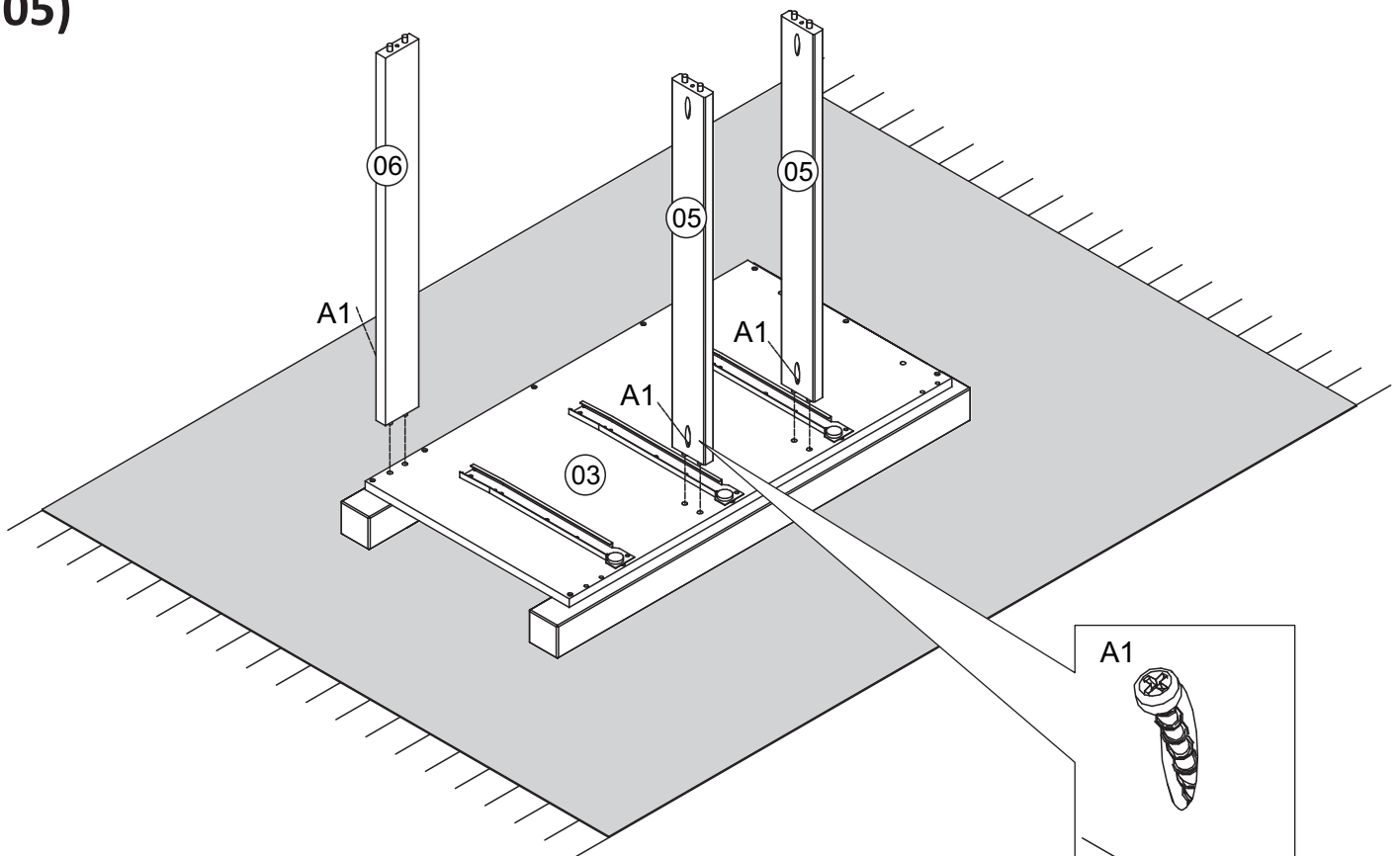
B31		12
6,0x10		

E13		Dresser RIGHT	03
330mm - 13"			
E14		Dresser LEFT	03
330mm - 13"			

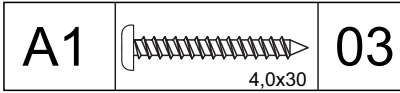
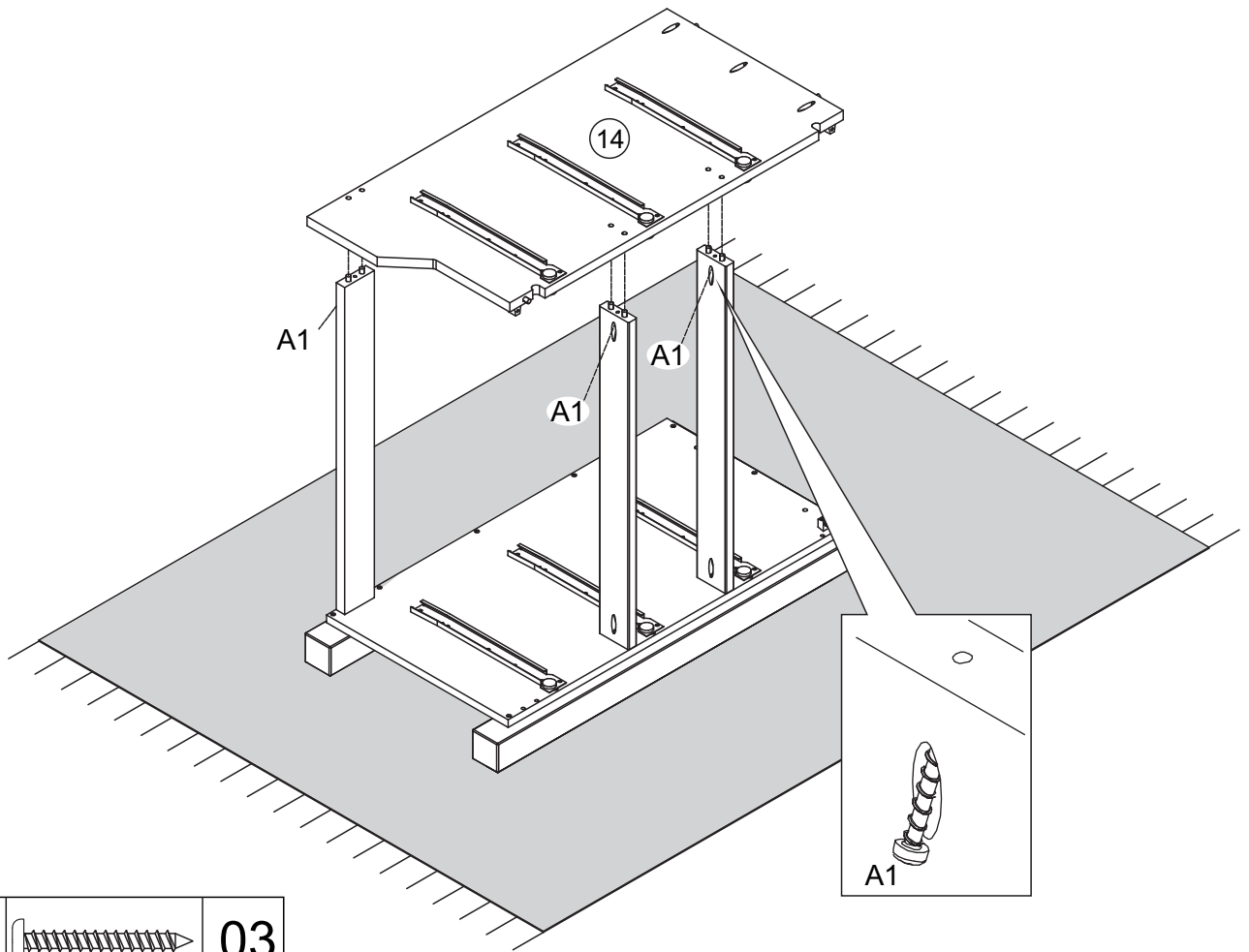
04)



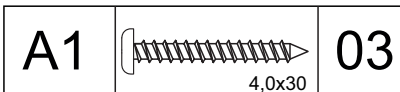
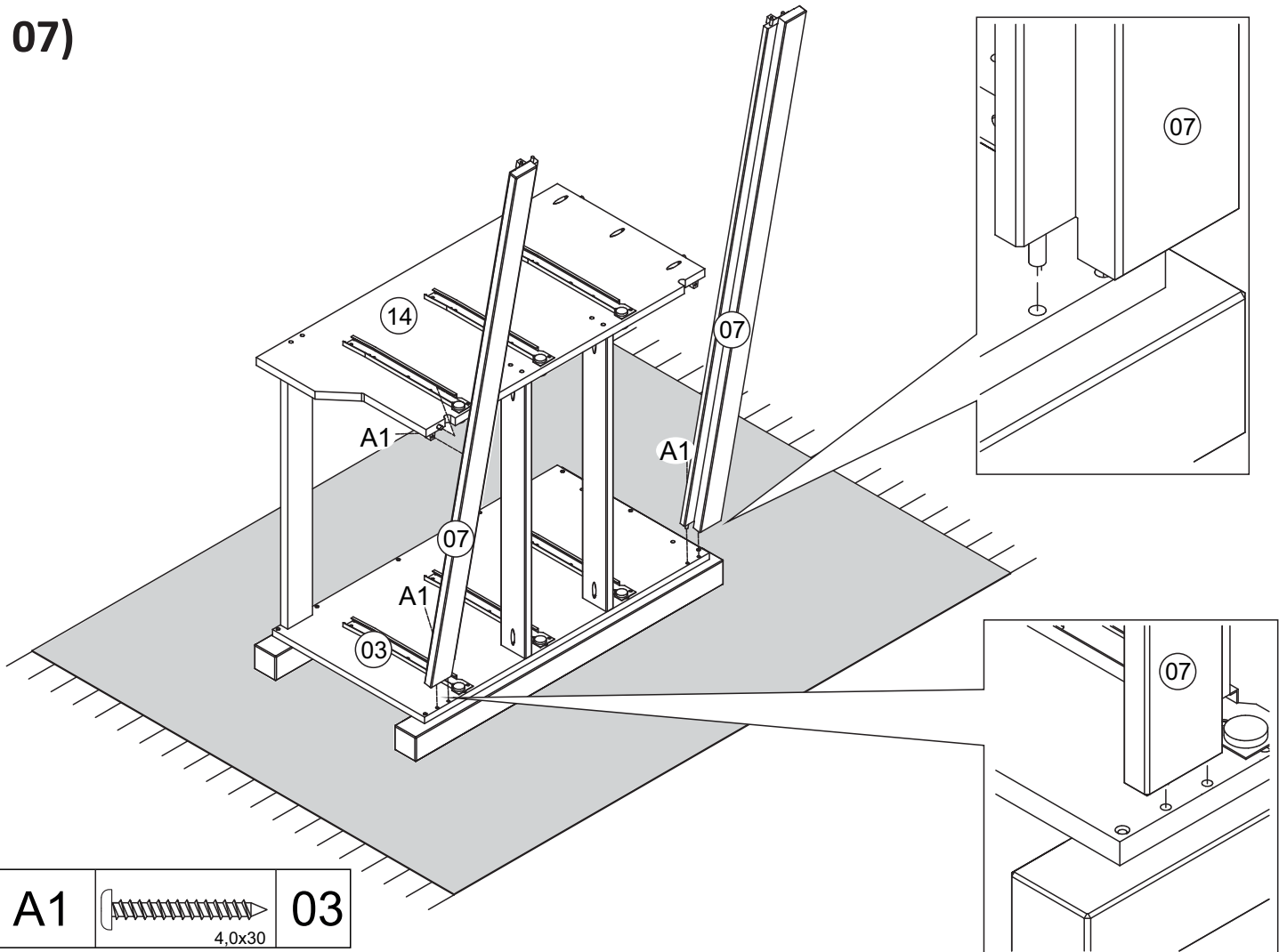
05)



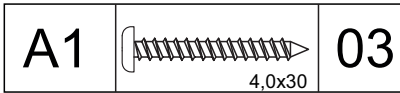
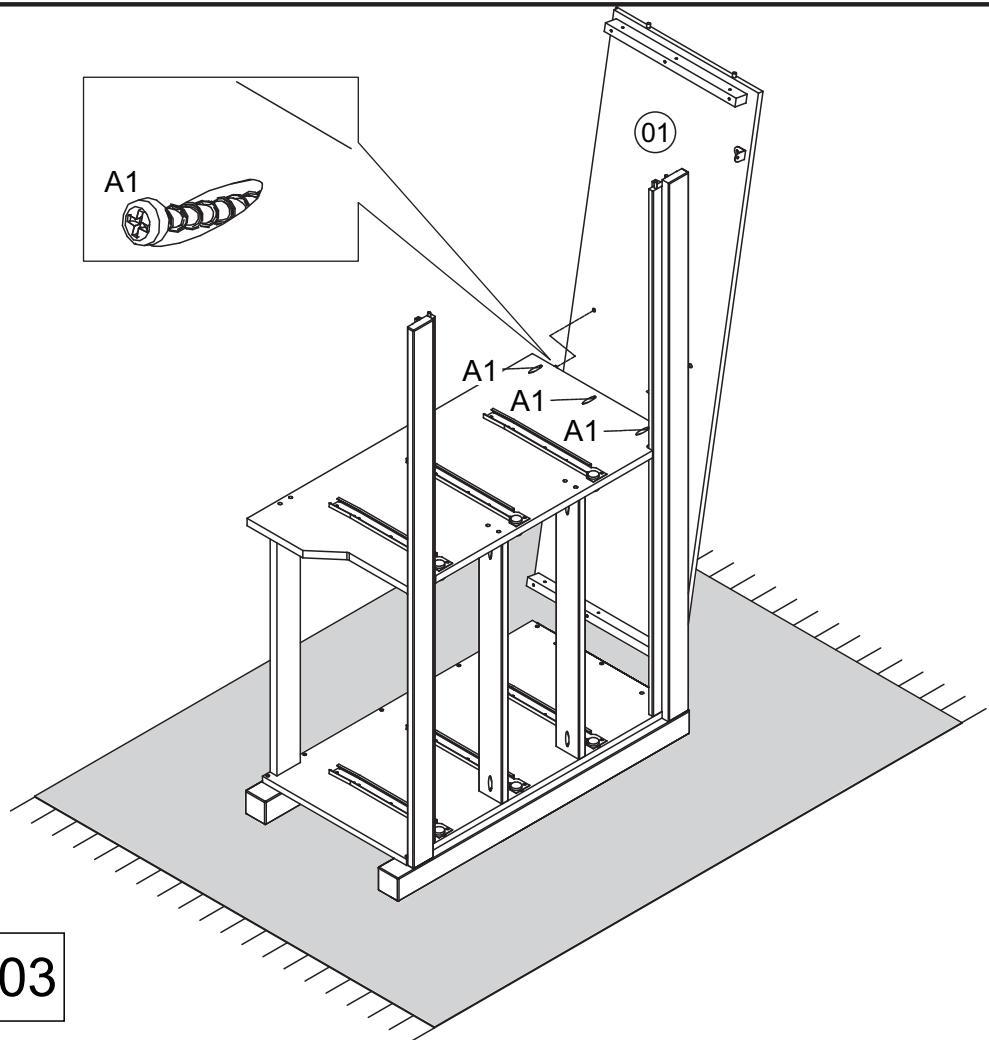
06)



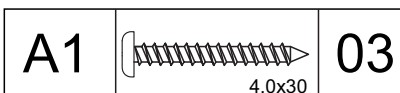
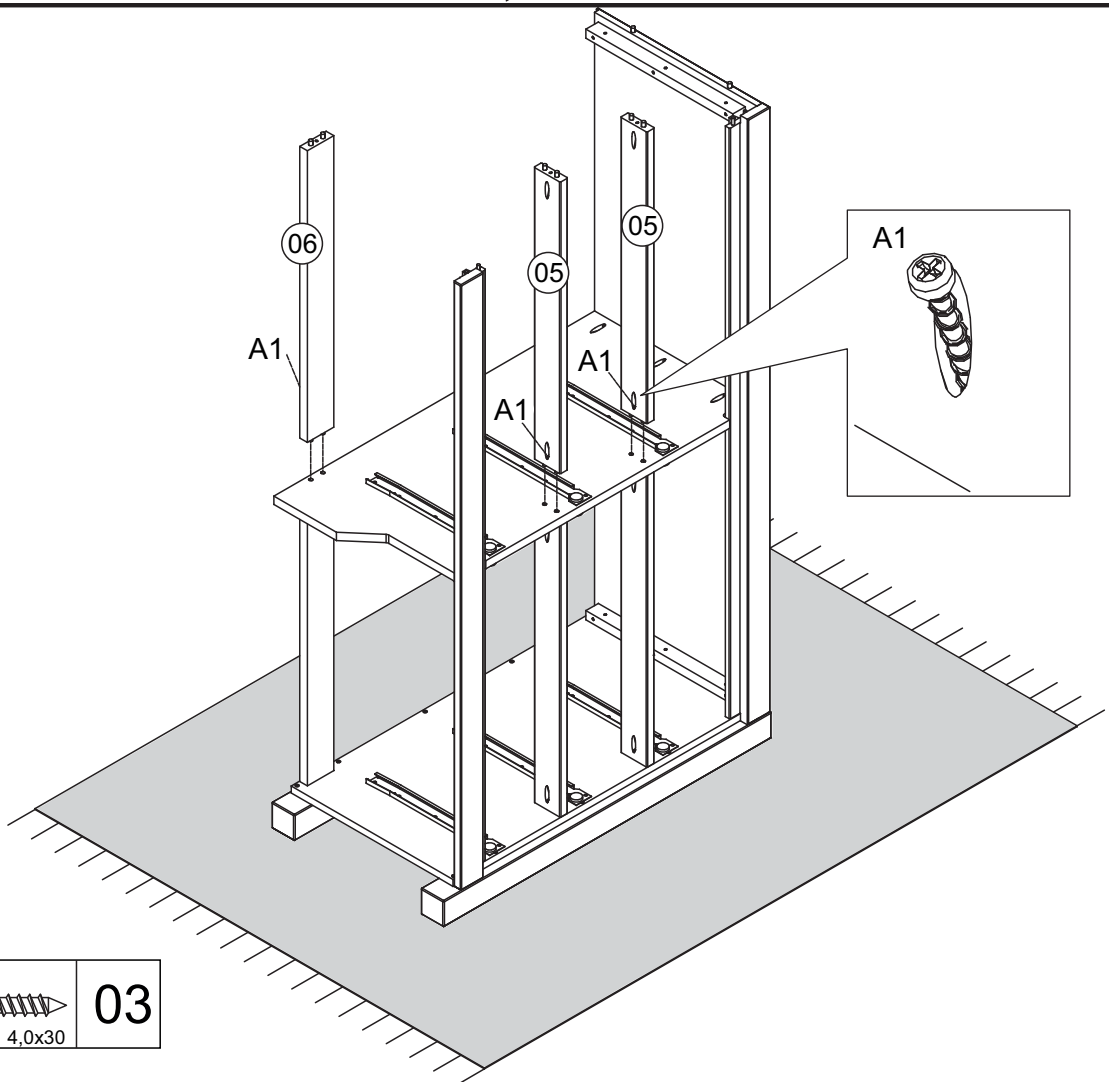
07)



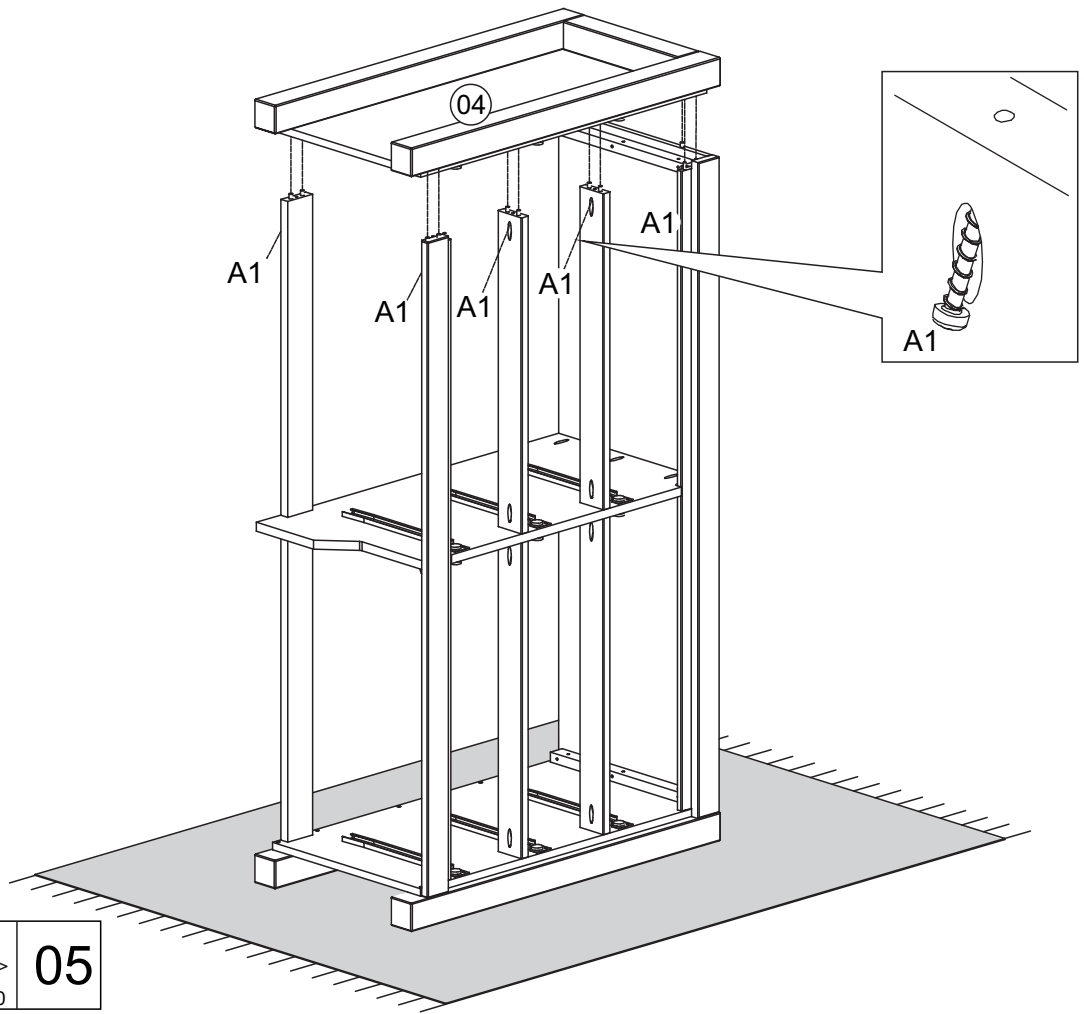
08)




09)

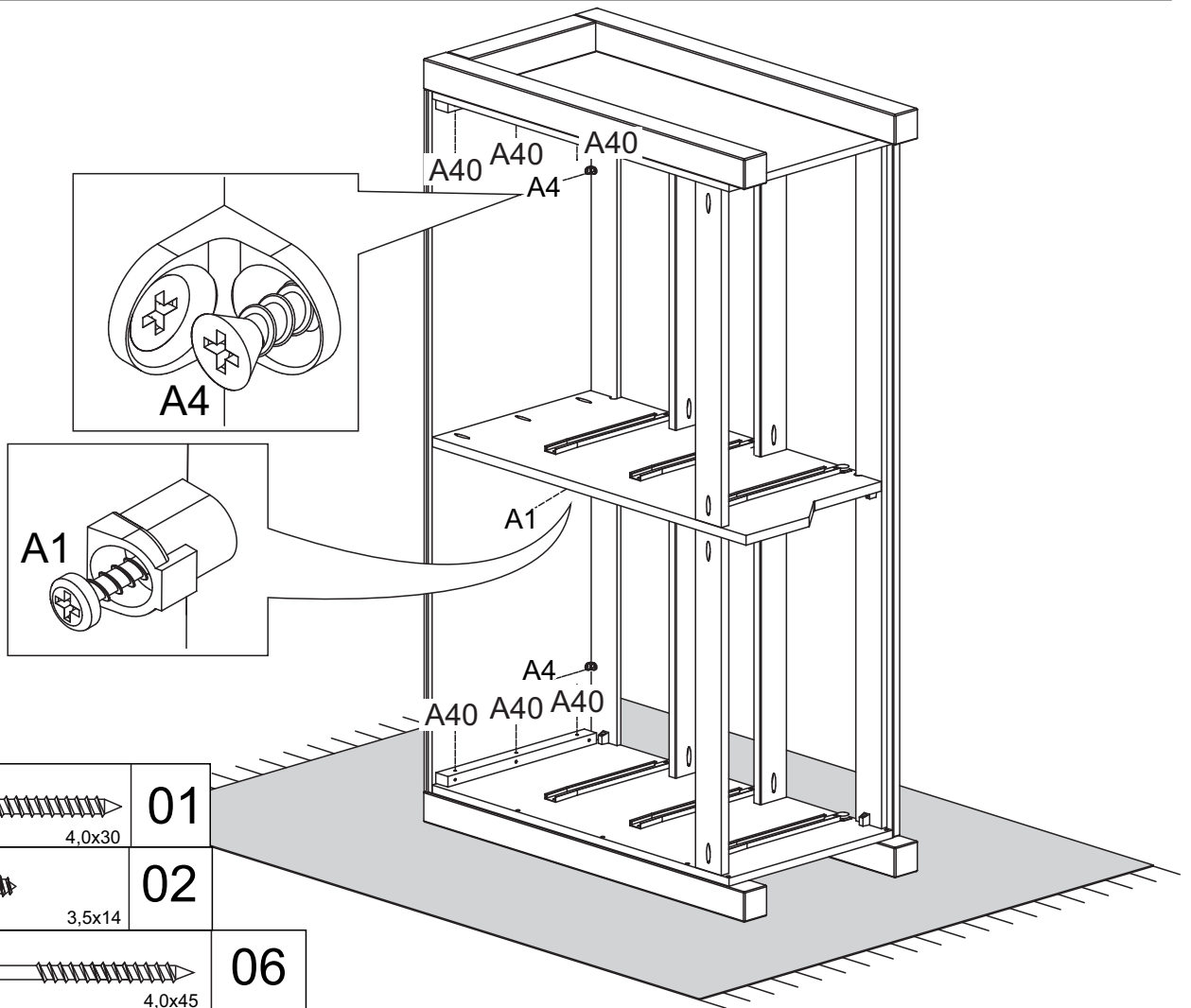


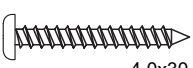
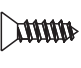

10)



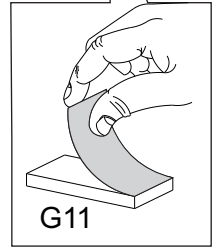
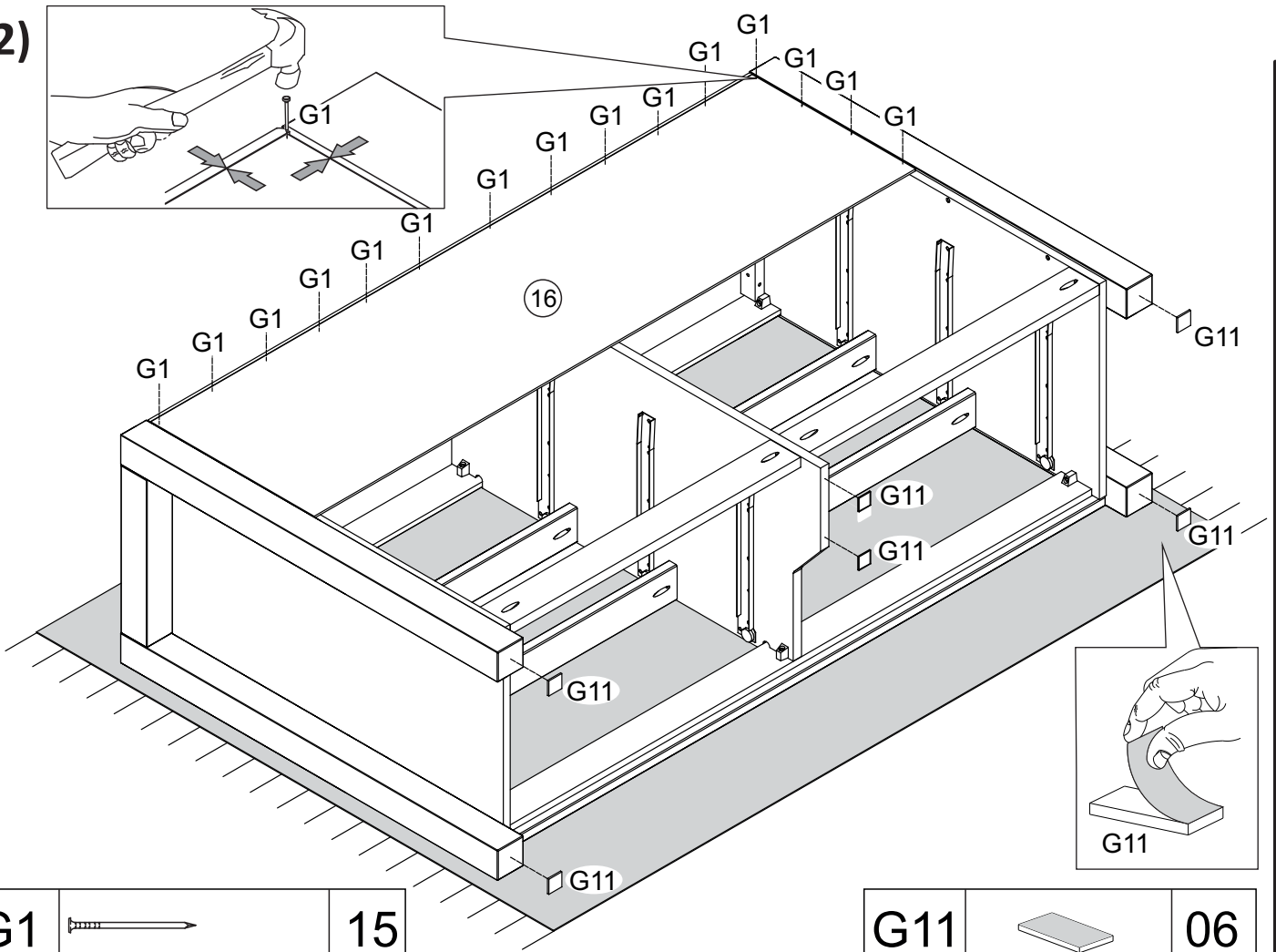
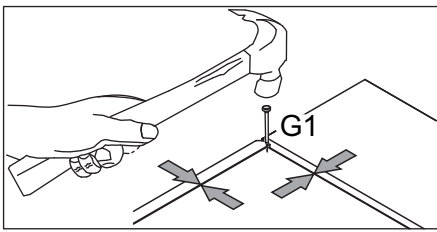
A1		05
	4,0x30	


11)




A1		01
	4,0x30	
A4		02
	3,5x14	
A40		06
	4,0x45	

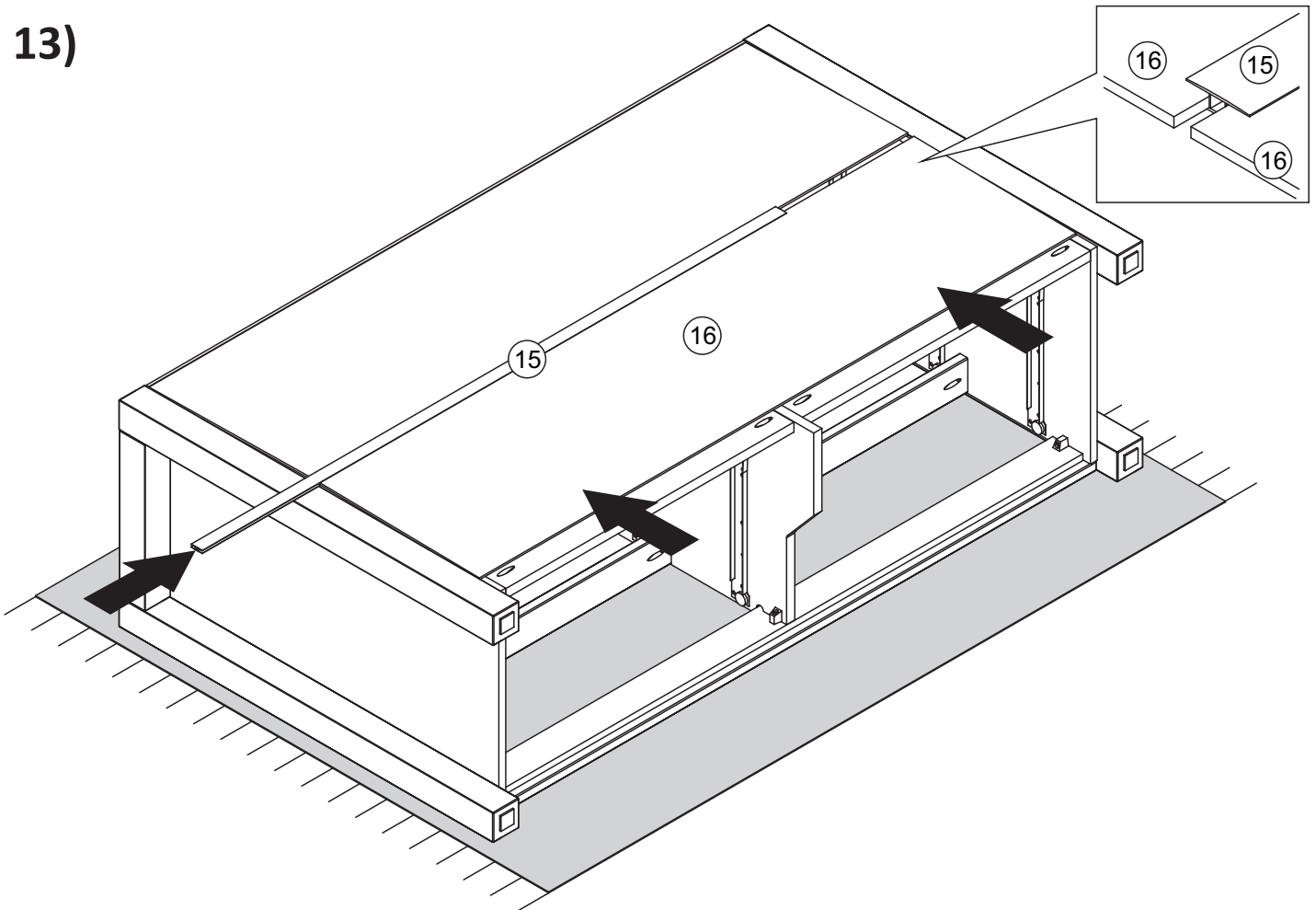
12)



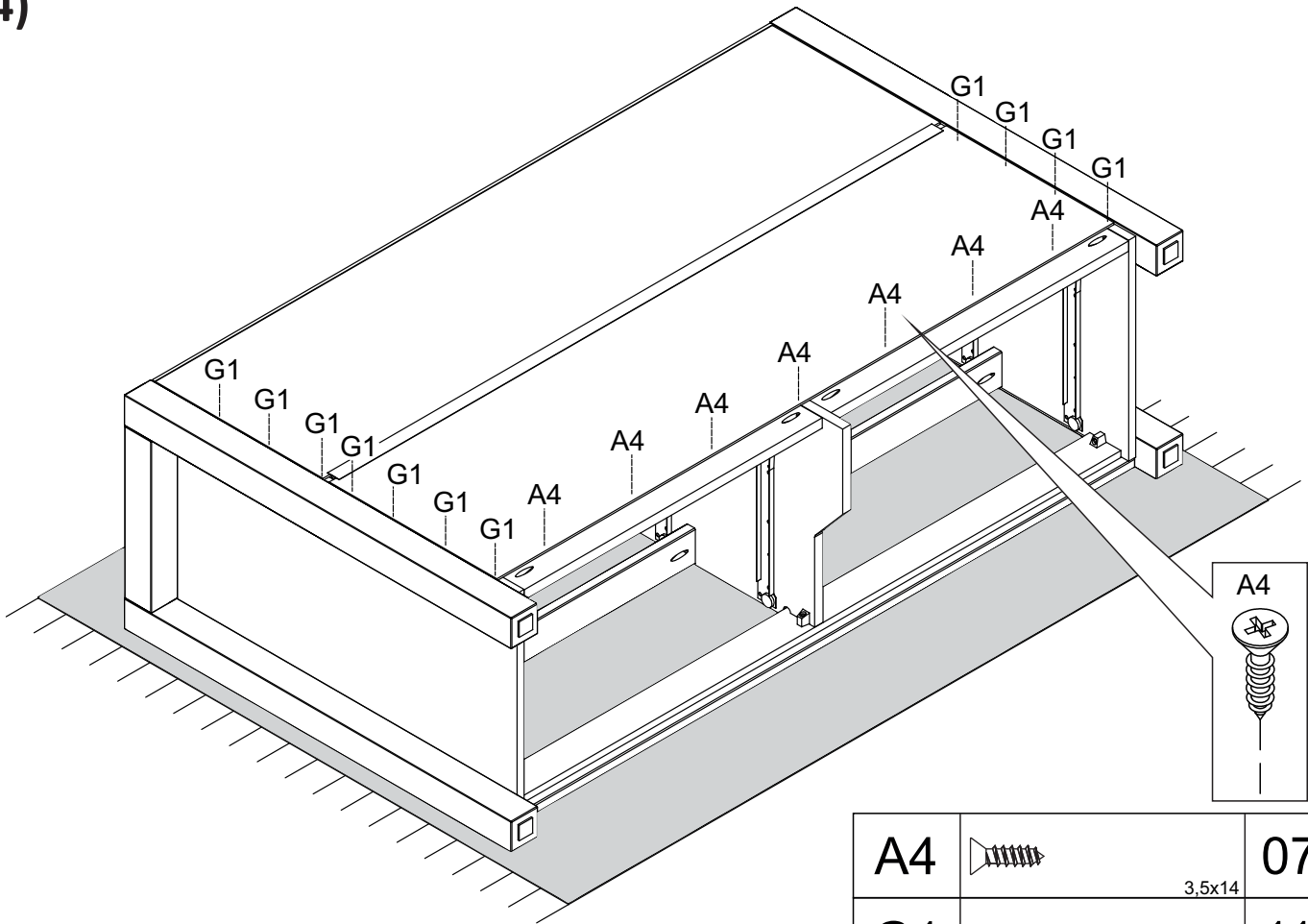
G1		15
<small>10x10</small>		

G11		06
------------	---	-----------

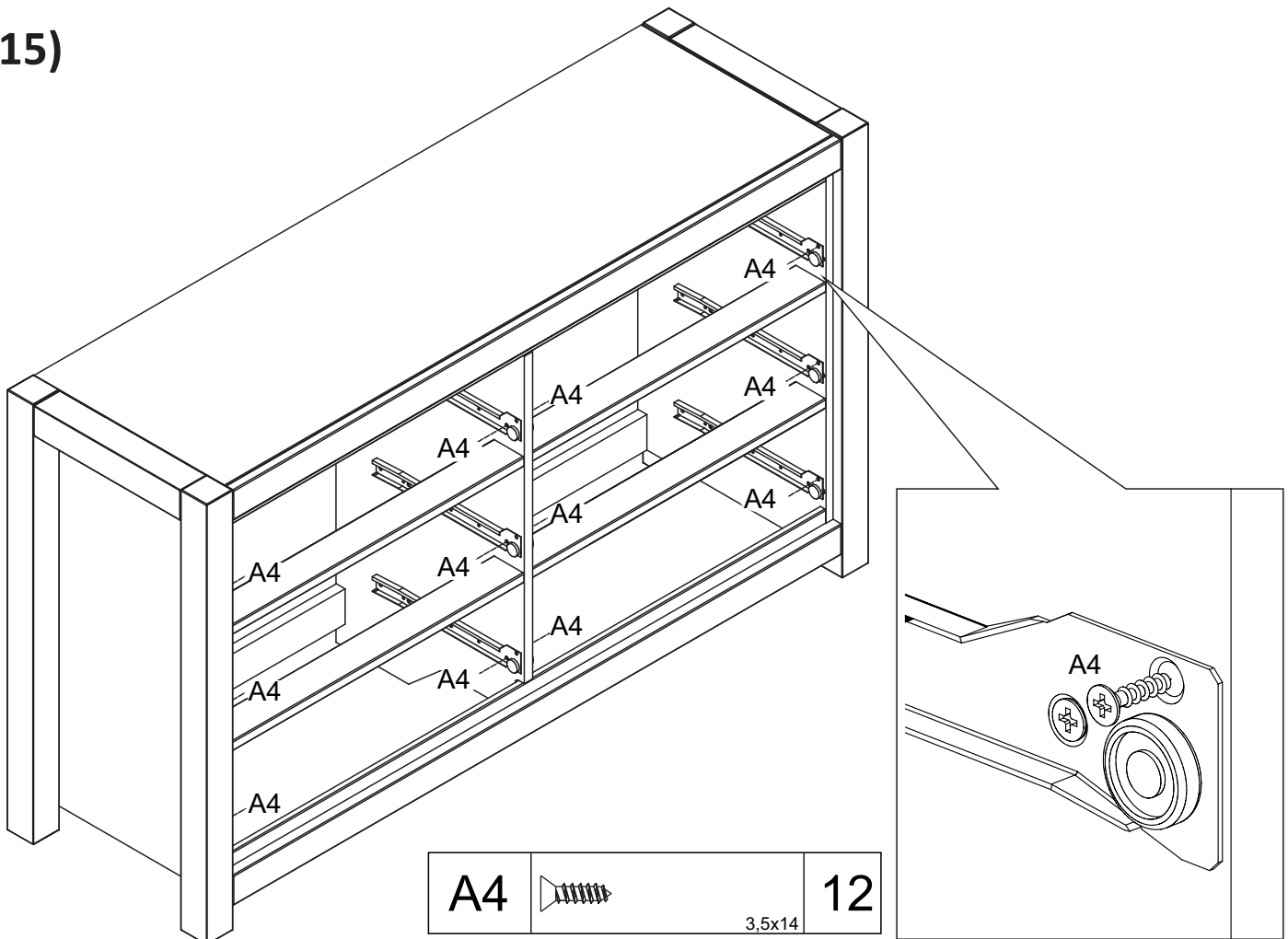
13)



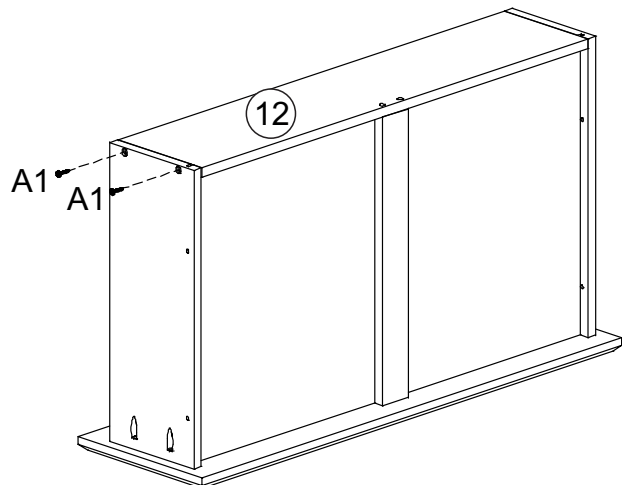
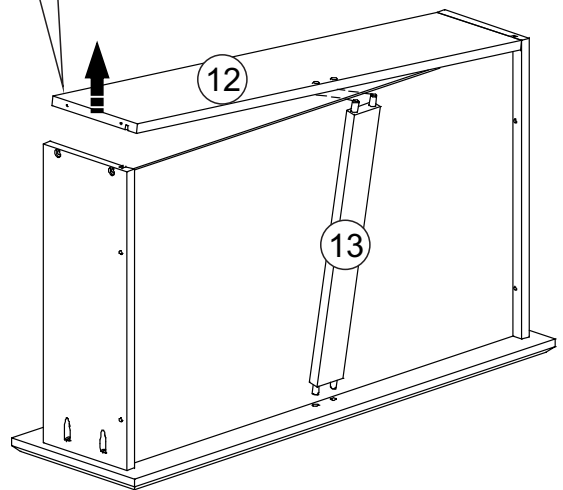
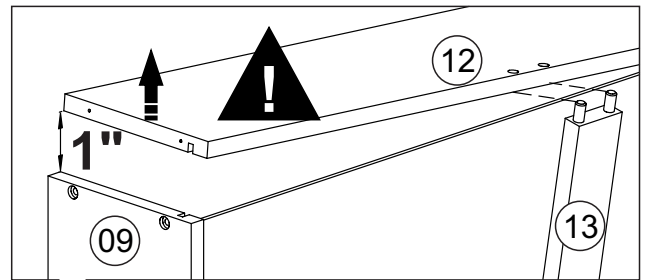
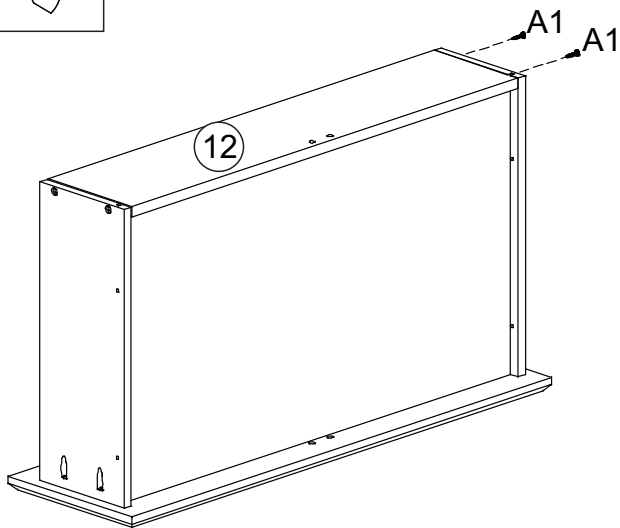
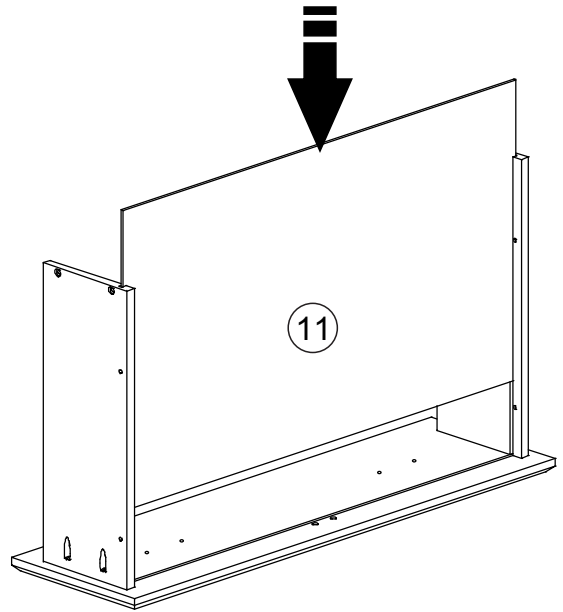
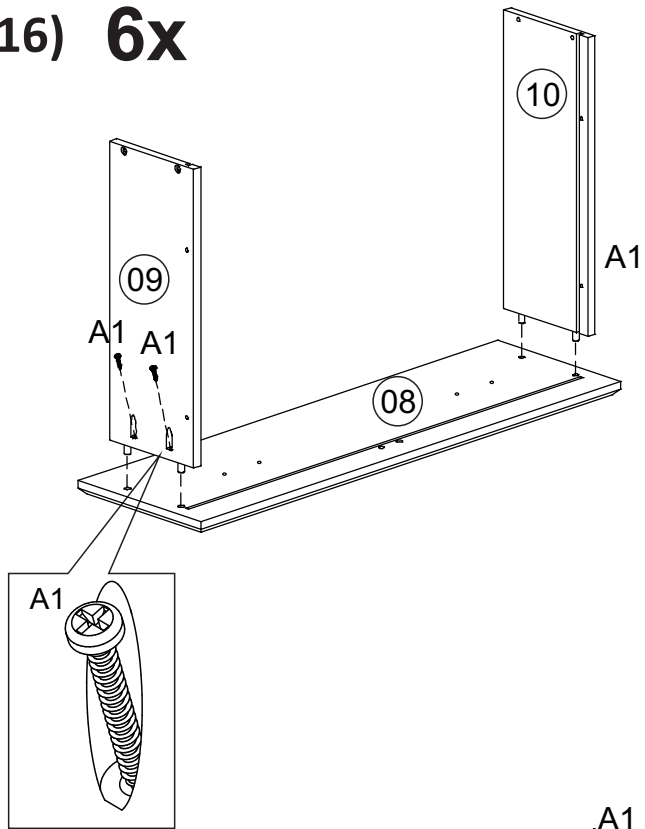
14)




15)

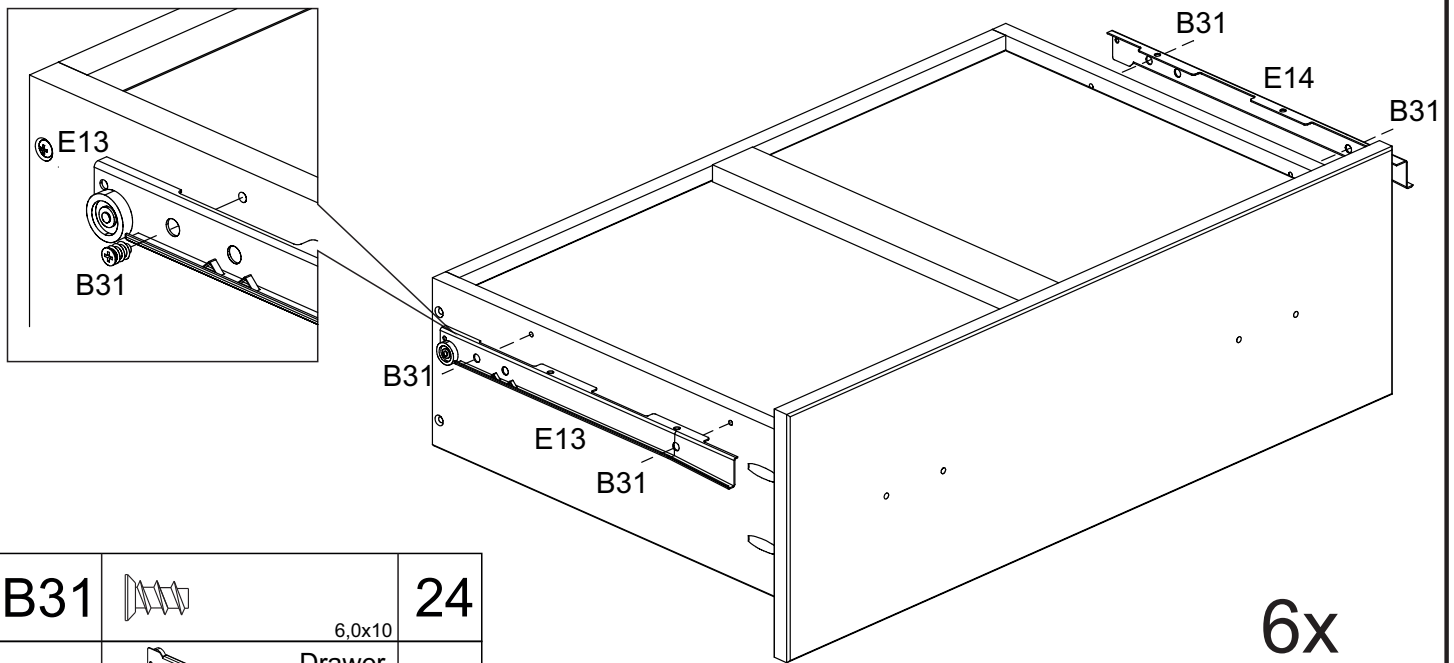


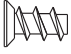
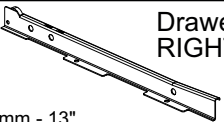
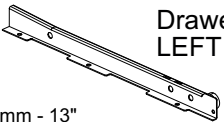
16) 6x



A1		48
		4,0x30

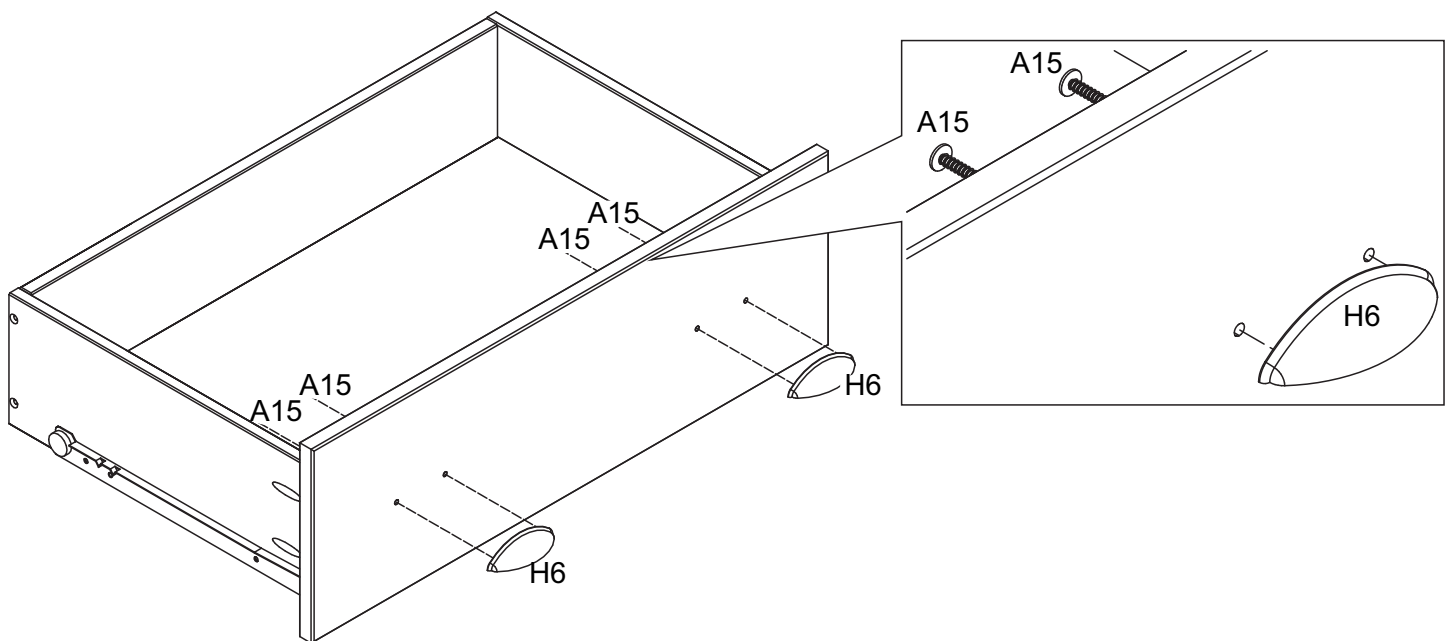
17) FLIP THE ASSEMBLED DRAWER
UPSIDE DOWN TO INSTALL GLIDES





B31		24
	6,0x10	
E13	 330mm - 13"	06
E14	 330mm - 13"	06

6x

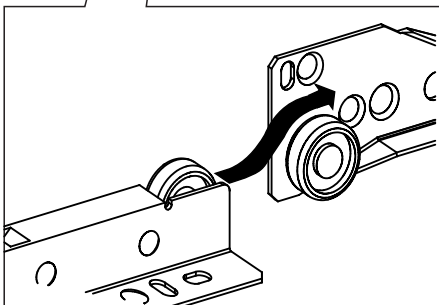
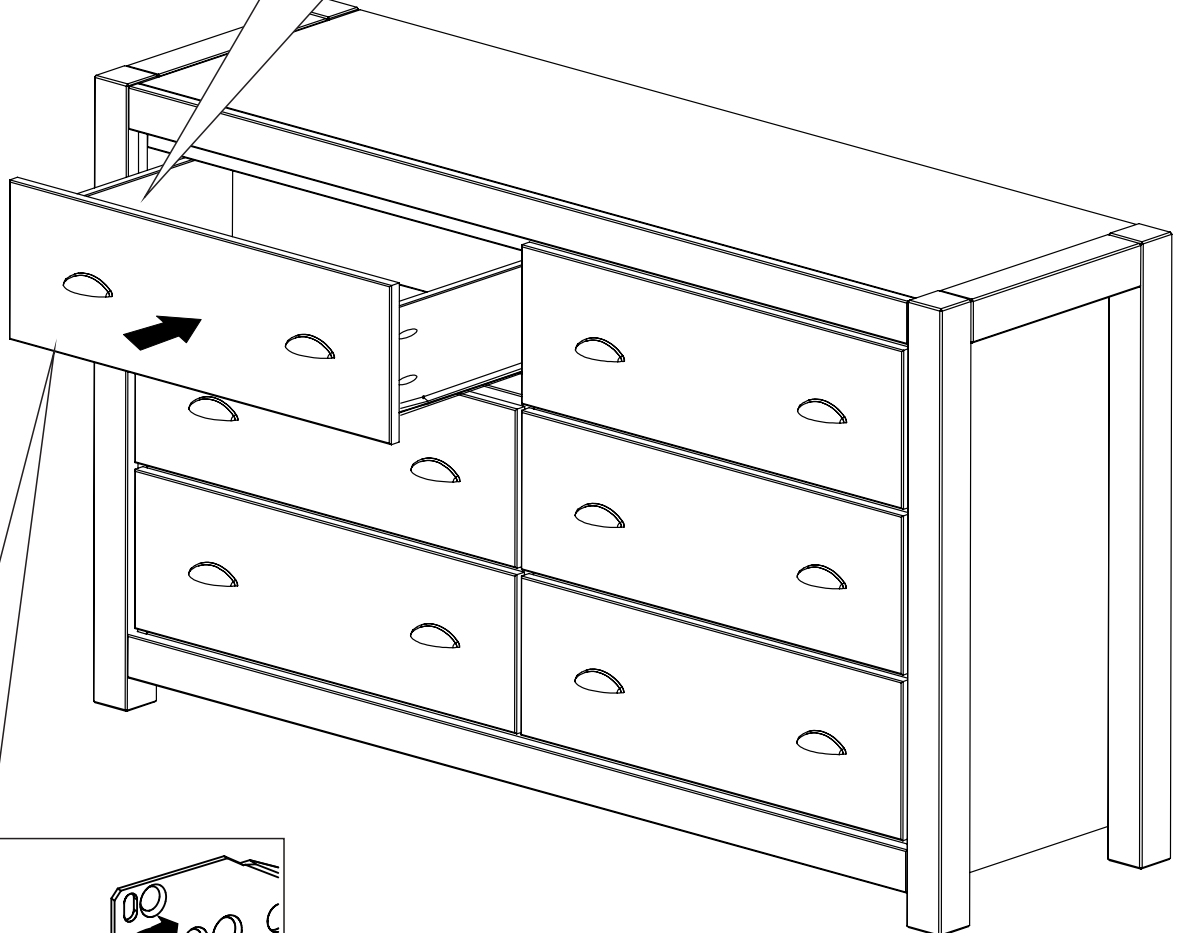
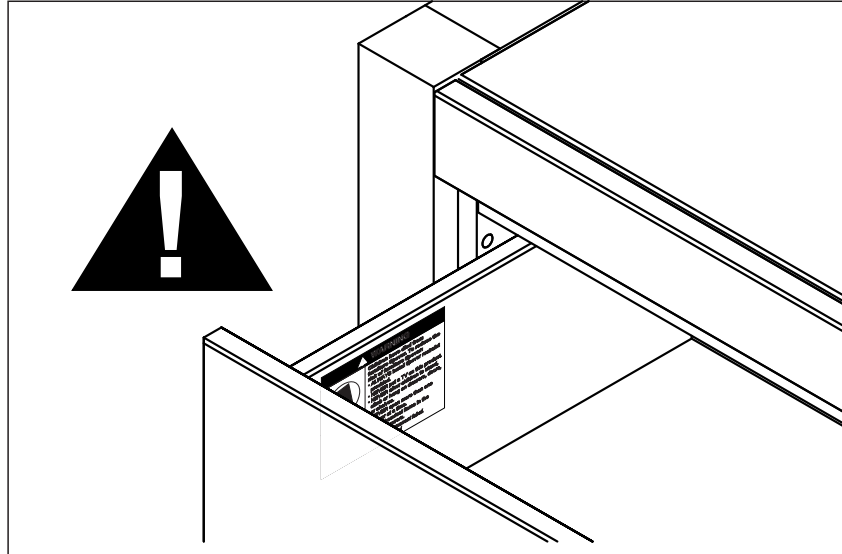
18) 6x



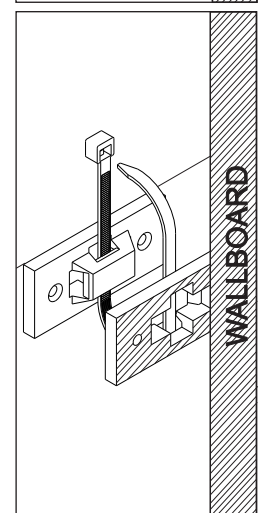
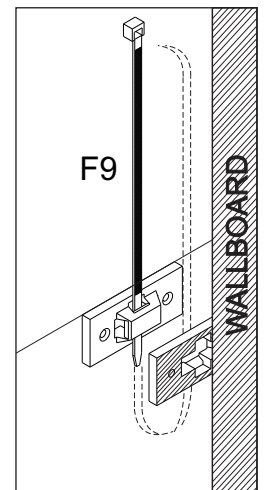
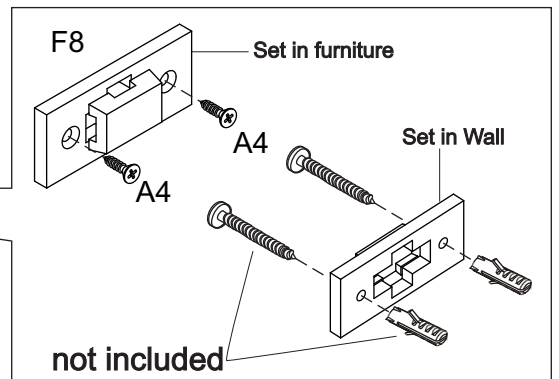
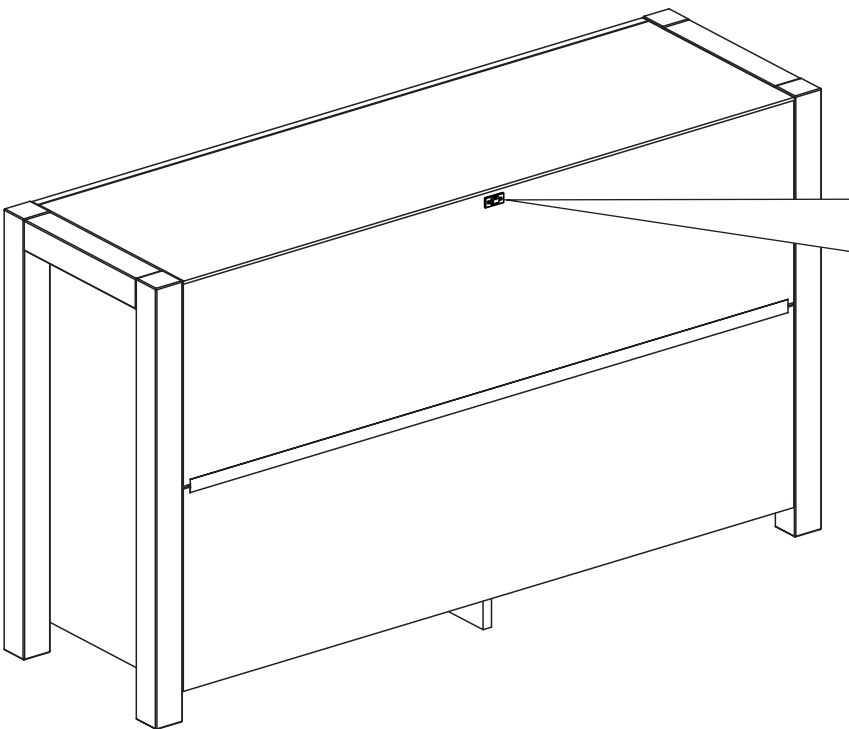
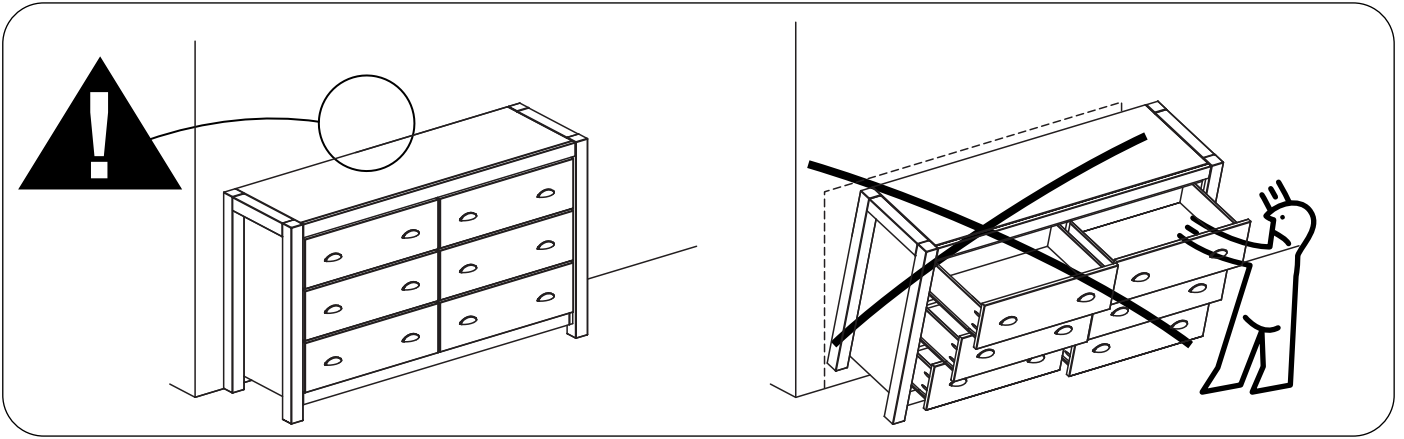
A15		24
	M4x22	
H6		12


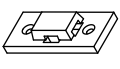

19)

Place the labeled drawer on the top position



20)



A4	 3,5x14	02
F8		02
F9		01