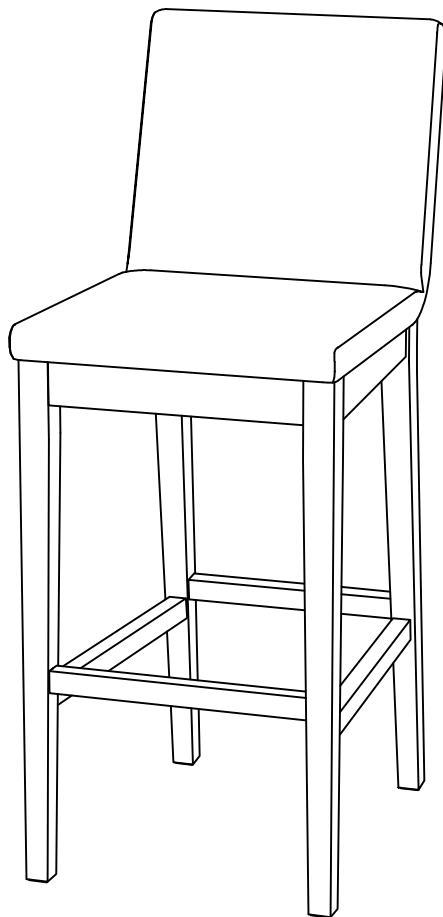
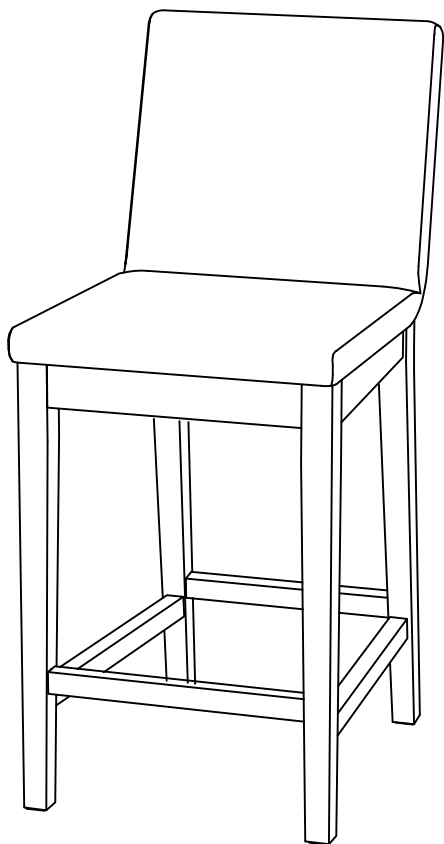
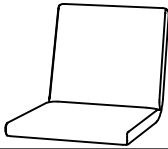
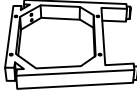
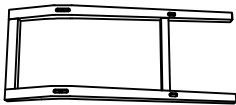
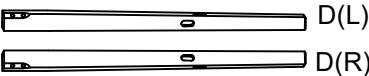
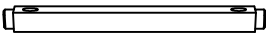
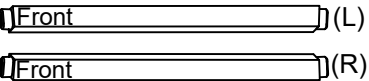


# ASSEMBLY INSTRUCTION



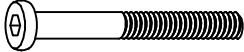



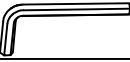
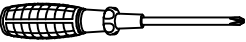
Counter chair & Bar chair

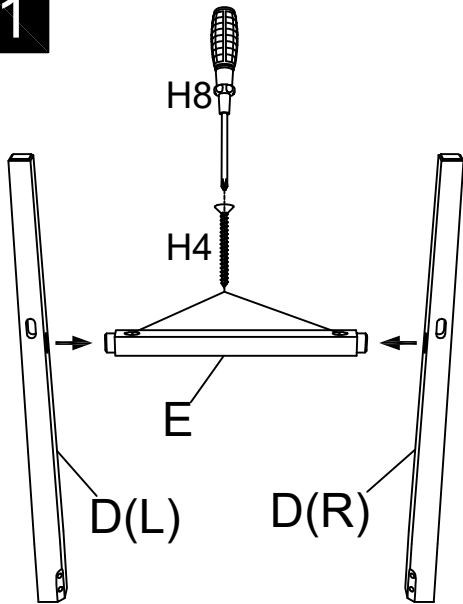


# Component List

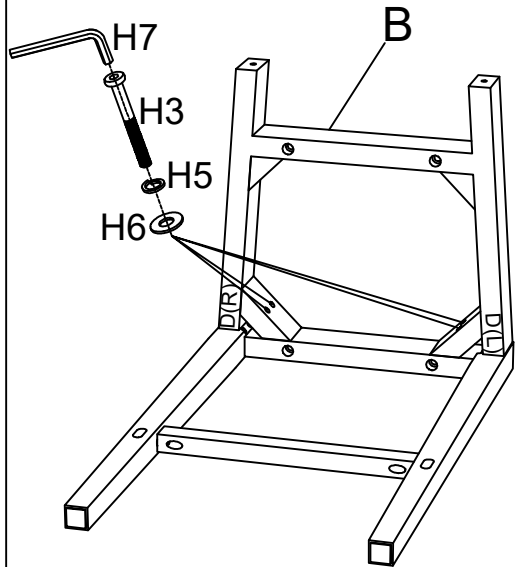
LABEL		DESCRIPTION	QTY
A		Seat	1
B		Seat frame	1
C		Back leg	1
D		Front leg	2
E		Front footrest	1
F		Side footrest	2

# Hardware List

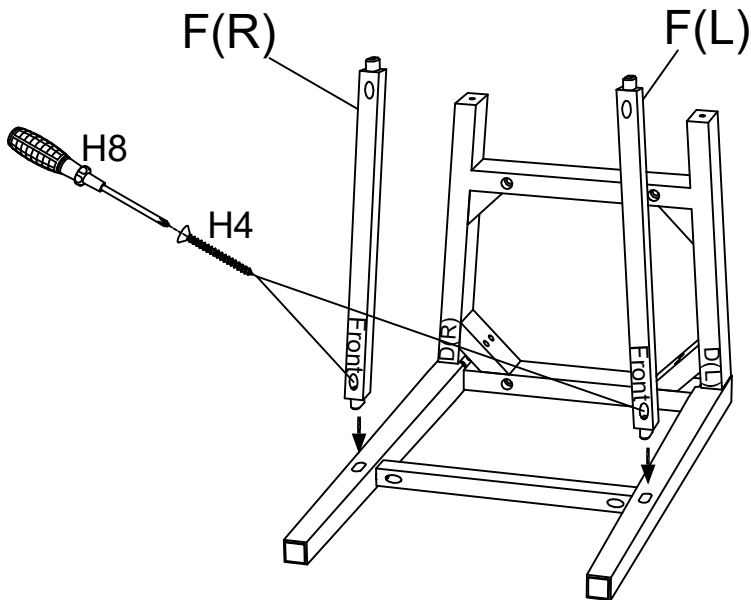
LABEL		DESCRIPTION	QTY
H1		Bolts M6×50mm	2
H2		Bolts M6×65mm	4
H3		Bolts M8×75mm	4
H4		Self-tapping screw M4×40mm	6
H5		Spring washer M8	4
H6		Flat washer M8×22×1.5mm	4
H7		Allen key M6	1
H8		Screwdriver	1

**1**

Tighten the self-tapping screws to 80% tightness.

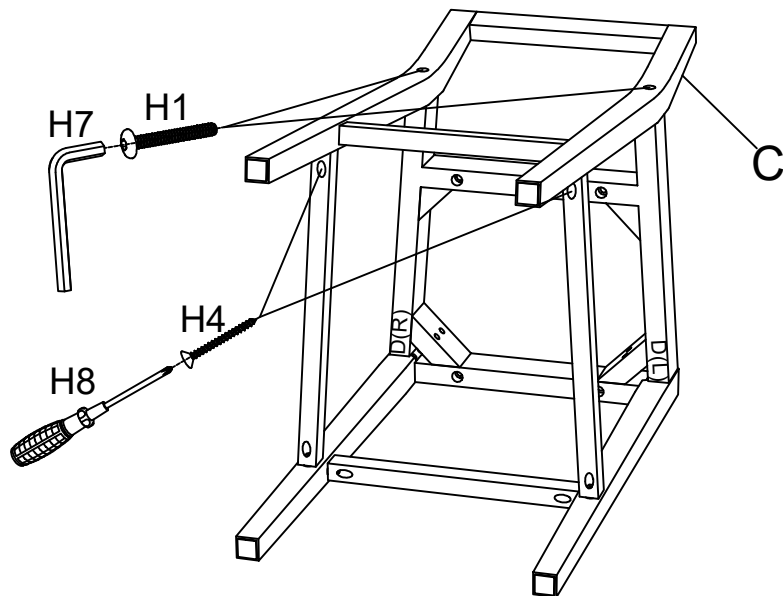
**2**

Tighten the bolts to 80% tightness.

**3**

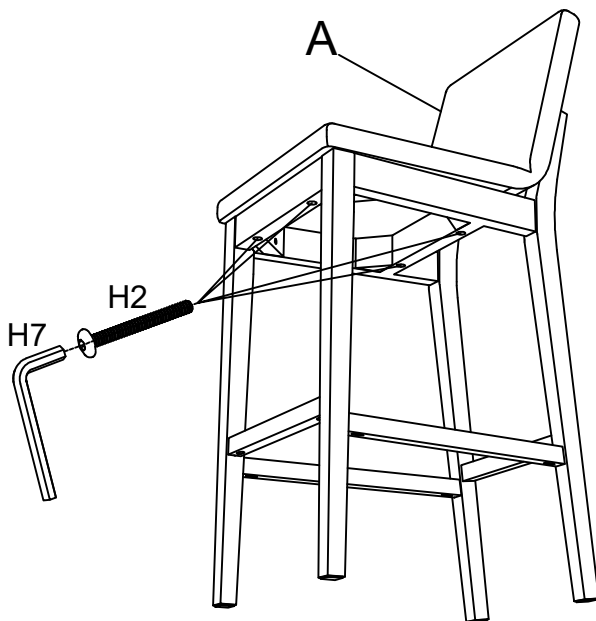
Tighten the self-tapping screws to 80% tightness.

4



Tighten the bolts & self-tapping screws to 80% tightness.

5



Adjust the chair so that it is leveled, then fully tighten all the bolts & self-tapping screws.