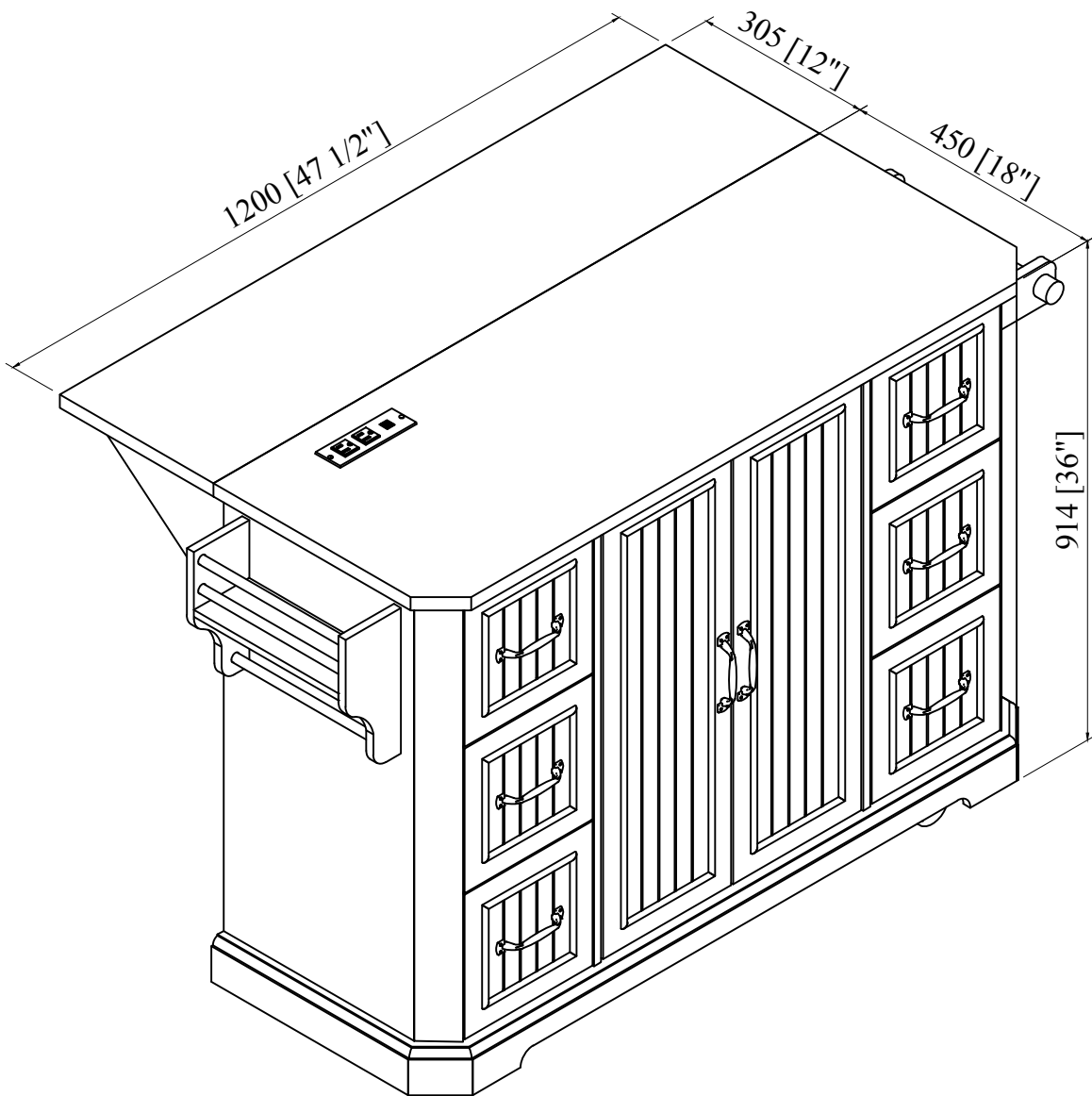


Kitchan Island Cart

Assembly Instructions - Please keep for future reference



Important - Please read these instructions fully before starting assembly



Safety and Care Advice

Important – Please read these instructions fully before starting assembly

- Check you have all the components and tools listed on the following pages.
- Remove all fittings from the plastic bags and separate them into their groups.
- Keep children and animals away from the work area, small parts could choke if swallowed.
- Make sure you have enough space to layout the parts before starting.

- During assembly do not stand or put weight on the product, this could cause damage.
- Assemble the item as close to its final position (in the same room) as possible.
- Assemble on a soft level surface to avoid damaging the unit or your floor.
- Parts of the assembly will be easier with 2 people.



power drill is set on a low torque setting.

- To reduce the likelihood of damaging your product please ensure that your

Care and maintenance

- Only clean using a damp cloth and mild detergent, do not use bleach or abrasive cleaners.
- From time to time check that there are no loose screws on this unit.
- This product should not be discarded with household waste. Take to your local authority waste disposal centre.

Handy Hints

- Assemble all parts and bolts loosely during assembly, only once the product is complete should you fully tighten the bolts
- Regularly check and ensure that all bolts and fittings are tightened properly.

WARNING
In order to help prevent overturning – please follow these instructions


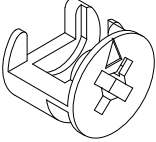

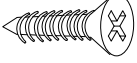
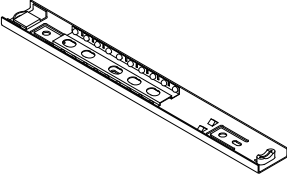
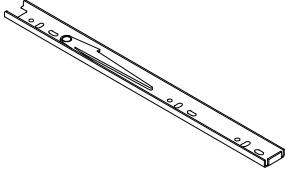
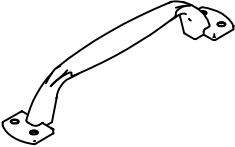
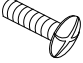

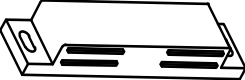
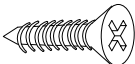
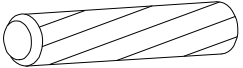
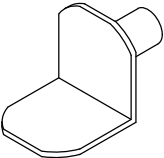
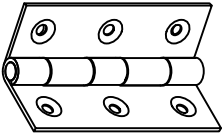
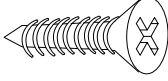
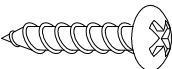
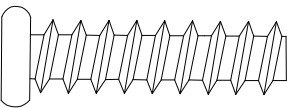
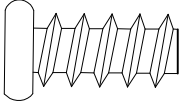
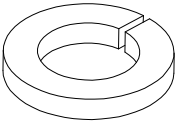
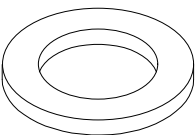
To help prevent product toppling over please follow the below steps:-

- Use the anti tip stap or wall fixing method provided (if applicable)
- Do not allow children to climb or hang on the furniture
- Do not open more than one drawer at a time
- Do not place heavy items in the top drawers
- Do not place heavy items on top of the furniture, unless the furniture has been designed for this purpose

Components - Fittings

Please check you have all the panels listed below

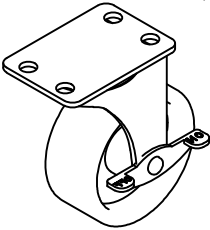
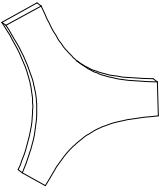

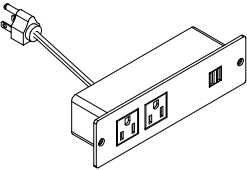
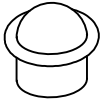
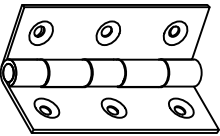
Note: The quantities below are the correct amount to complete the assembly. In some cases, more fittings may be supplied than required.

<p>A QTY: 64</p> 	<p>B QTY: 64</p> 	<p>C QTY: 22</p>  <p>Ø8*30mm</p>	<p>D QTY: 74</p>  <p>Ø6*12mm</p>
CAM BOLT	CAM LOCK	WOOD DOWEL	FLAT HEAD SCREW
<p>E QTY: 12</p> 	<p>F QTY: 12</p> 	<p>G QTY: 8</p> 	<p>H QTY: 16</p>  <p>Ø8*15mm</p>
BALL BEARING GLIDE	BALL BEARING GLIDE	HANDLE	BOLT
<p>I QTY: 26</p>  <p>Ø6*25mm</p>	<p>J QTY: 1</p> 	<p>K QTY: 2</p>  <p>Ø6*12mm</p>	<p>L QTY: 12</p>  <p>Ø6*25mm</p>
FLAT HEAD SCREW	MAGNET	ROUND HEAD SCREW	WOOD DOWEL
<p>M QTY: 4</p> 	<p>N QTY: 7</p> 	<p>O QTY: 66</p>  <p>Ø7*15mm</p>	<p>P QTY: 8</p>  <p>Ø7*15mm</p>
SHELF PIN	HINGES	FLAT HEAD SCREW	ROUND HEAD SCREW
<p>Q QTY: 8</p>  <p>Ø1/4*38mm</p>	<p>R QTY: 16</p>  <p>Ø1/4*15mm</p>	<p>S QTY: 24</p> 	<p>T QTY: 24</p> 
BOLT	BOLT	SPRING WASHER	FLAT WASHER

Components - Fittings

Please check you have all the panels listed below

Note: The quantities below are the correct amount to complete the assembly. In some cases, more fittings may be supplied than required.

<p>U QTY: 4</p> 	<p>V QTY: 1</p> 	<p>X QTY: 1</p> 	<p>Y QTY: 1</p> 
<p>LOCK CASTER</p>	<p>CAM TOOL</p>	<p>ALLEN WRENCH</p>	<p>SOCKET</p>
<p>Z QTY: 2</p> 	<p>W QTY: 4</p> 		
<p>SPRING BALL LATCH</p>	<p>HINGES</p>		

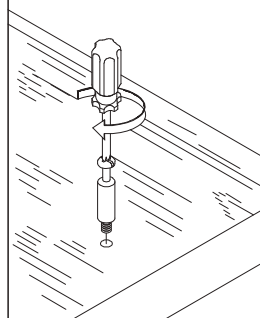
Using Camlocks

Step 1

Connect the male camlock as directed in the assembly instructions using a screwdriver.

1

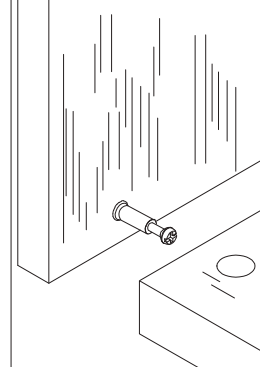
DO NOT OVER TIGHTEN.
NE PAS SERRER EXCESSIVEMENT.



Step 2

Push the male camlock into the entry hole.

2

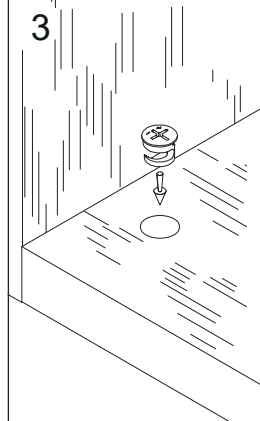


Step 3

Insert the female camlock as shown in the instruction.

Note: ensure that the arrow on the top of the camlock points towards the entry hole for the male camlock.

3



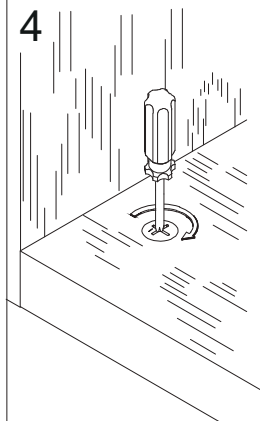
Step 4

Turn the female camlock clockwise with a screwdriver.

You should feel a click when the camlock is locked in place.

The joint is now secure.

4



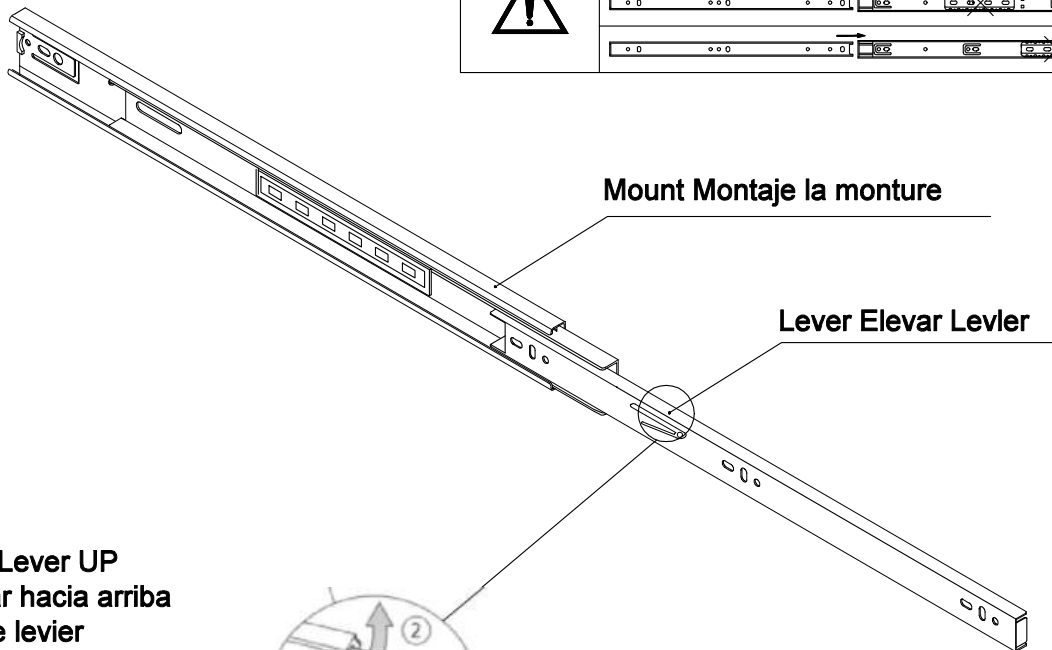
**Slides Must Be Separated Before Assembly.
After Separated, Set Aside Until Needed for Assembly.**

Las diapositivas deben separarse antes del montaje.
Después de la separación, déjelo a un lado hasta que sea necesario.

Les glissières doivent être séparées avant l'assemblage.
Après la séparation, mettez de côté jusqu'au moment de l'assemblage.

**Pay attention when connecting !
The sliding module must be at the front end.**

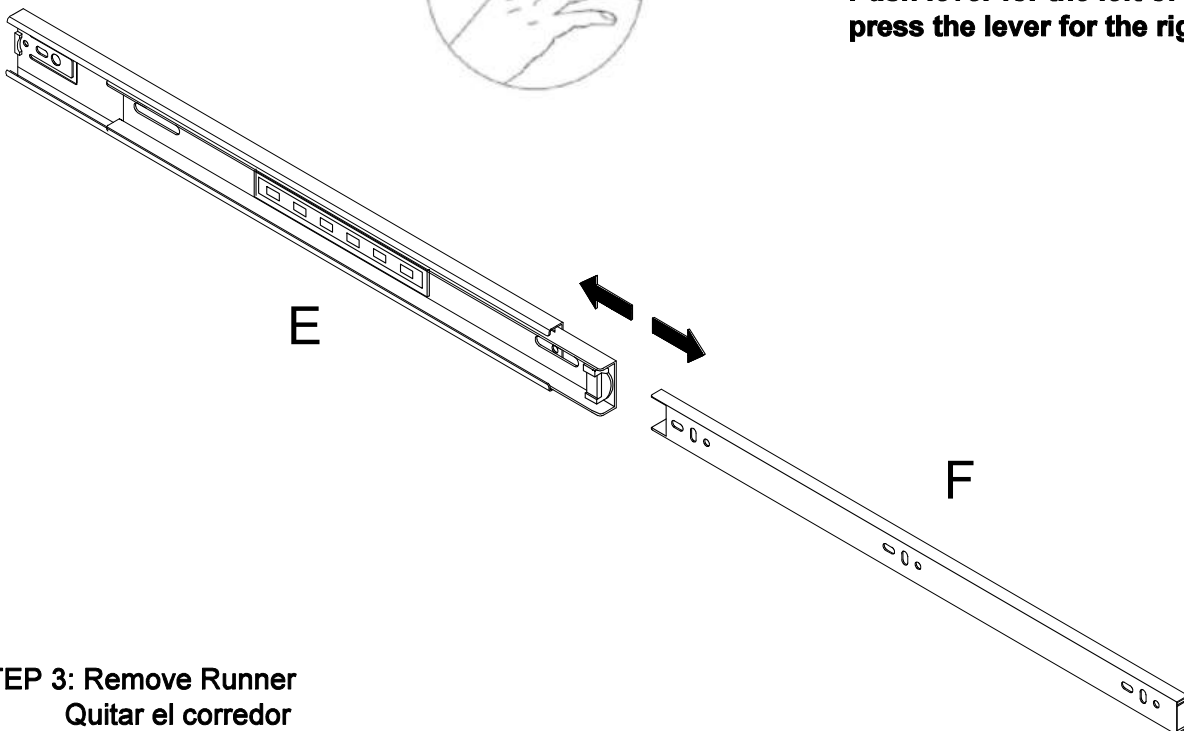
**STEP 1 : Extend Slide
Extender la diapositiva**



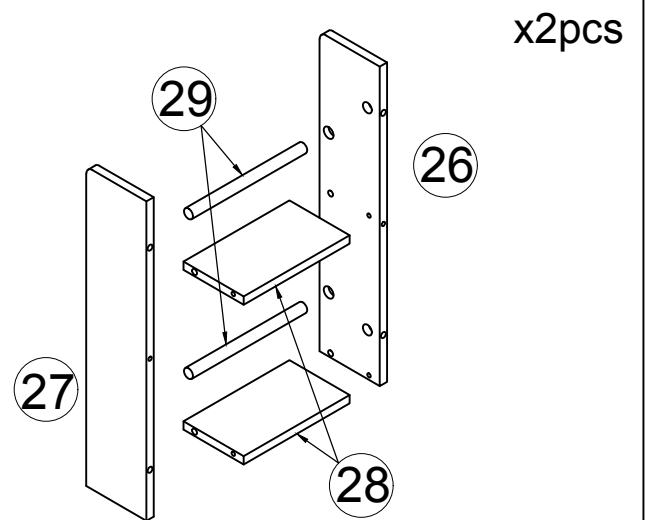
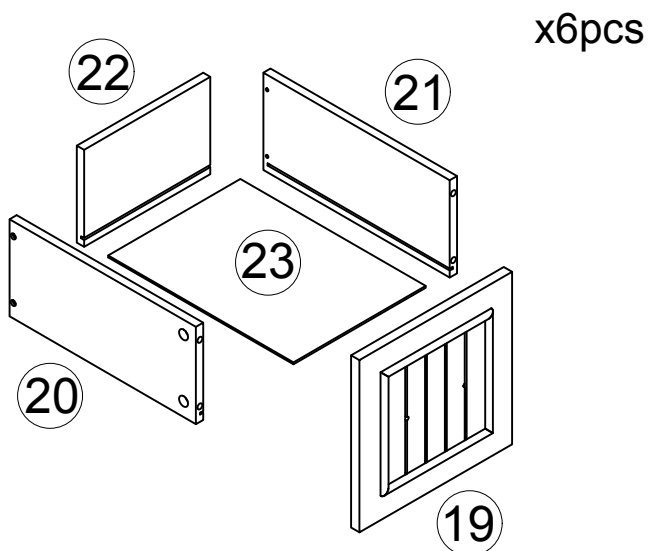
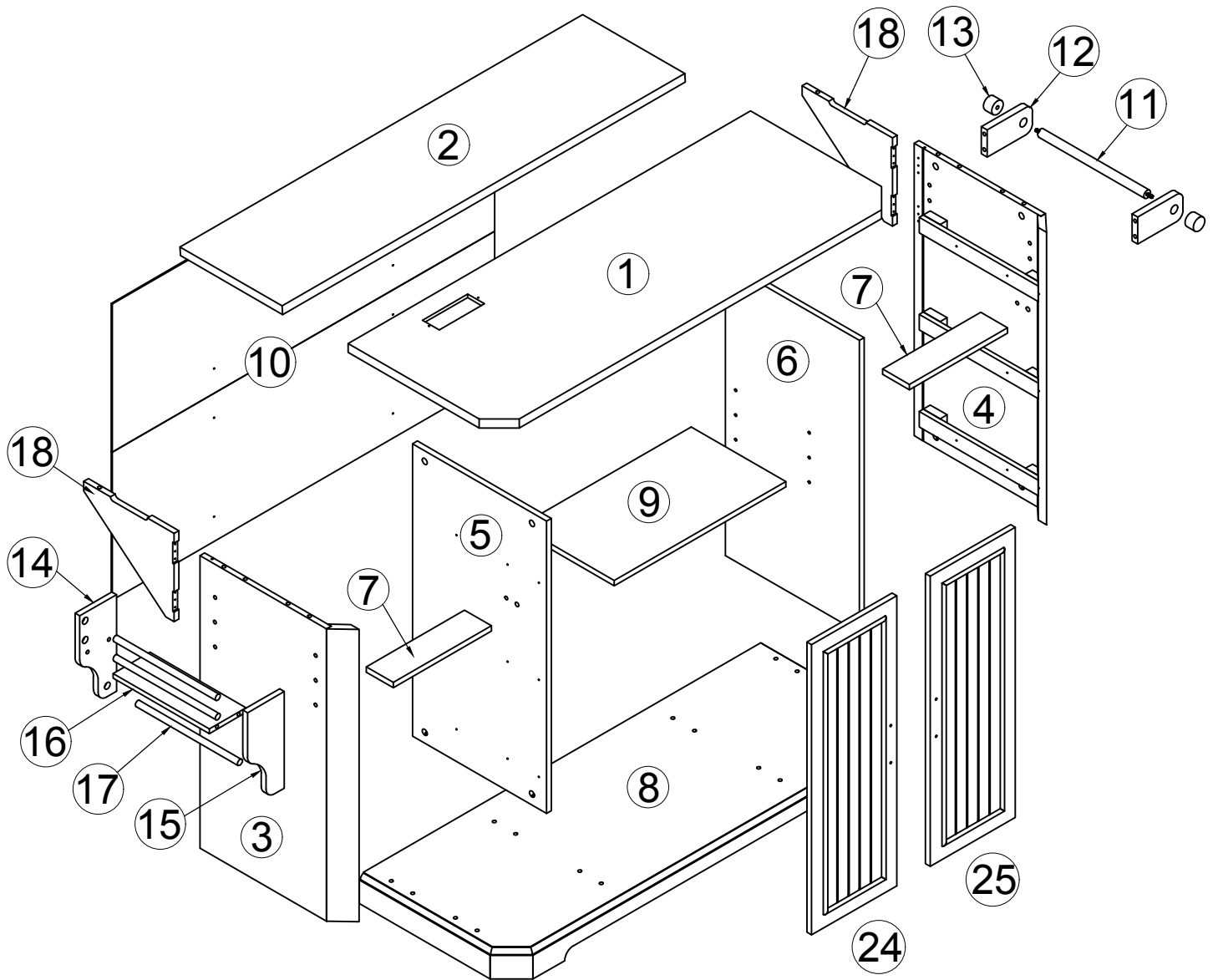
**STEP 2: Push Lever UP
Empujar hacia arriba
Lever le levier**



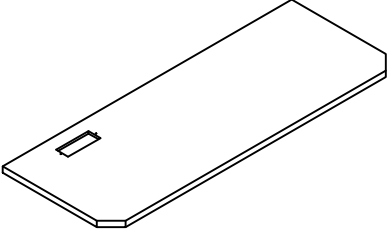
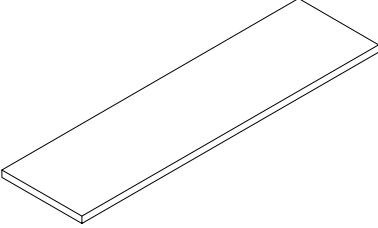
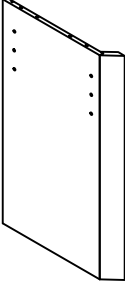
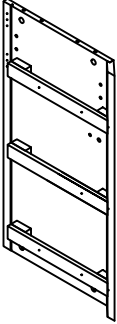
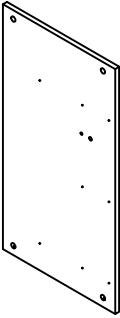
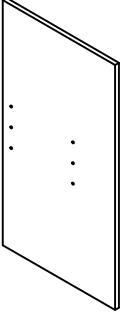
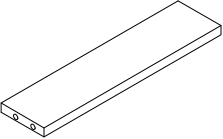
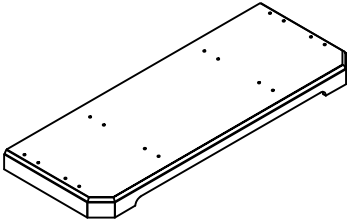
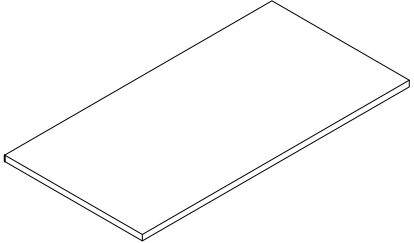
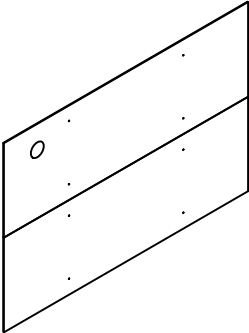
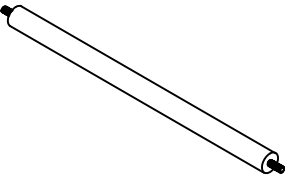
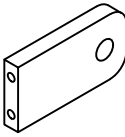

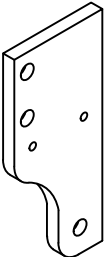

**Push lever for the left of drawer ,
press the lever for the right of drawer.**



**STEP 3: Remove Runner
Quitar el corredor
Enever le coureur**

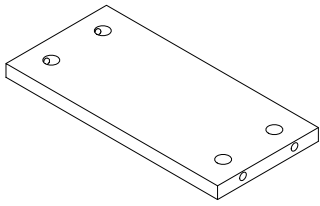


COMPONENTS - KEY DIAGRAM

<p>1</p> 	<p>2</p> 	<p>3</p> 
<p>TOP PANEL QTY: 1</p>	<p>EXTENDED TOP PANEL QTY: 1</p>	<p>LEFT FRAME QTY: 1</p>
<p>4</p> 	<p>5</p> 	<p>6</p> 
<p>RIGHT FRAME QTY: 1</p>	<p>STAND LEFT PANEL QTY: 1</p>	<p>STAND RIGHT PANEL QTY: 1</p>
<p>7</p> 	<p>8</p> 	<p>9</p> 
<p>FRONT PANEL QTY: 2</p>	<p>BOTTOM PANEL QTY: 1</p>	<p>SHELF PANEL QTY: 1</p>
<p>10</p> 	<p>11</p> 	<p>12</p> 
<p>BACK PANEL QTY: 1</p>	<p>RIGHT PULL BAR QTY: 1</p>	<p>RIGHT BRACKET QTY: 2</p>
<p>13</p> 	<p>14</p> 	<p>15</p> 
<p>KNOB QTY: 2</p>	<p>BRACKET - LEFT QTY: 1</p>	<p>BRACKET - RIGHT QTY: 1</p>

COMPONENTS - KEY DIAGRAM

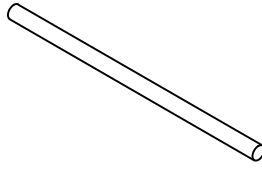
16



BOTTOM BASKET

QTY: 1

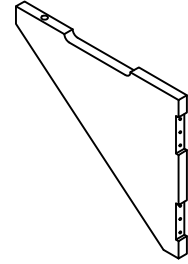
17



LEFT PULL BAR

QTY: 3

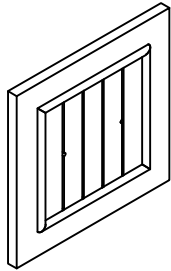
18



EXTENDED SUPPORT

QTY: 2

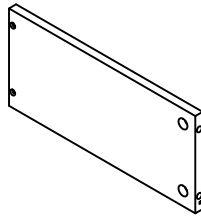
19



DRAWER FRONT

QTY: 6

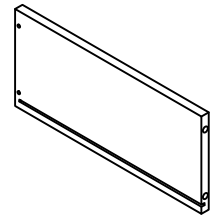
20



DRAWER SIDE - LEFT

QTY: 6

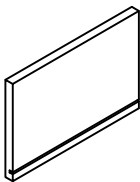
21



DRAWER SIDE - RIGHT

QTY: 6

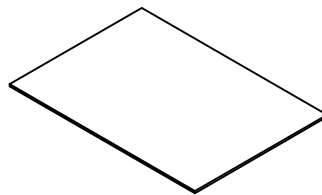
22



DRAWER BACK

QTY: 6

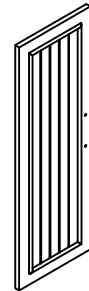
23



DRAWER BOTTOM

QTY: 6

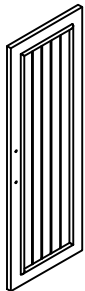
24



LEFT DOOR

QTY: 1

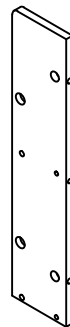
25



RIGHT DOOR

QTY: 4

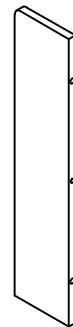
26



LEFT STAND SHELF DOOR

QTY: 2

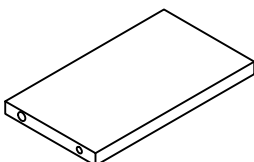
27



RIGHT STAND SHELF DOOR

QTY: 2

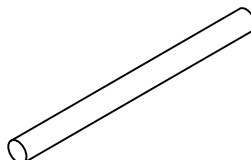
28



BOTTOM SHELF DOOR

QTY: 4

29

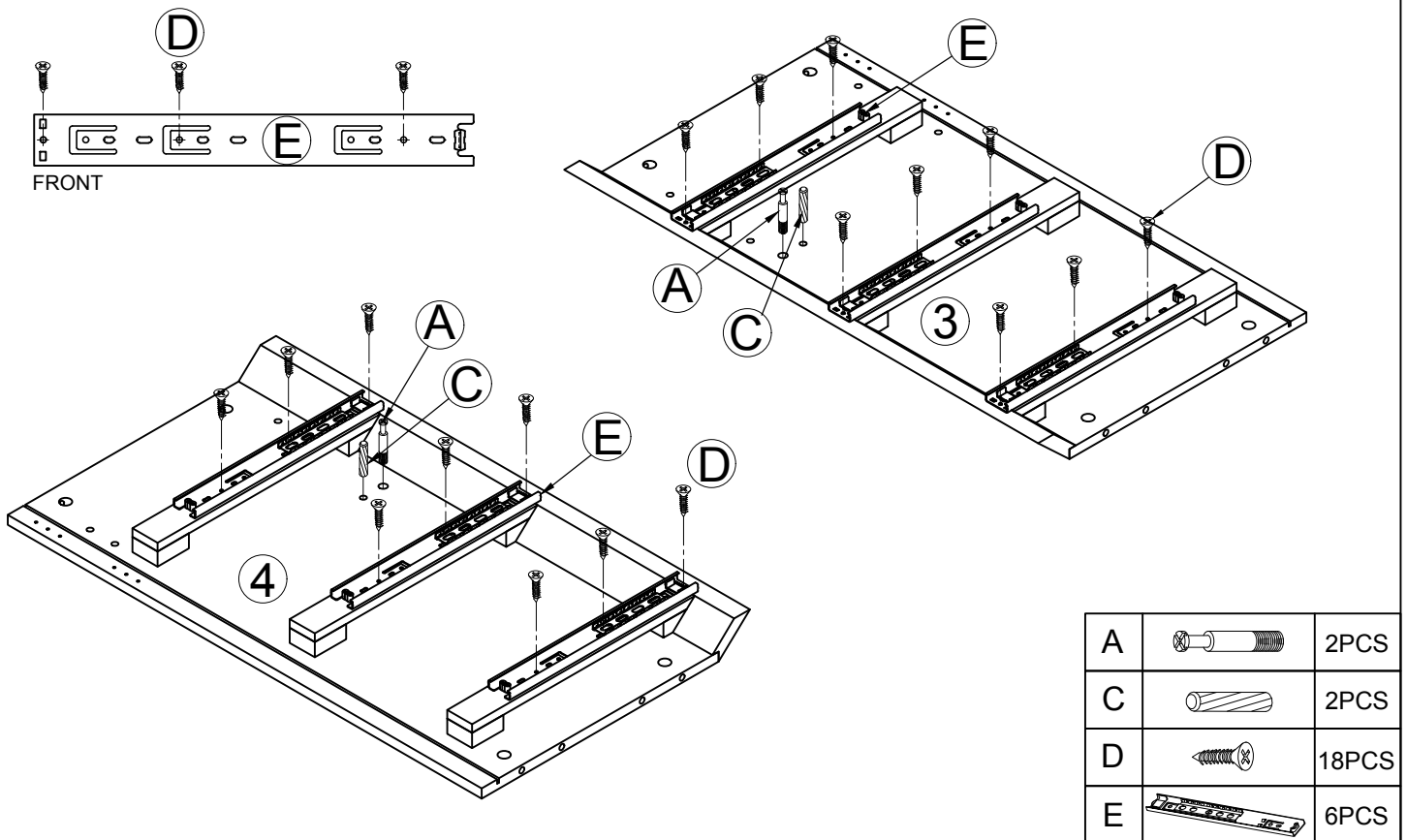


PULL BAR SHELF DOOR

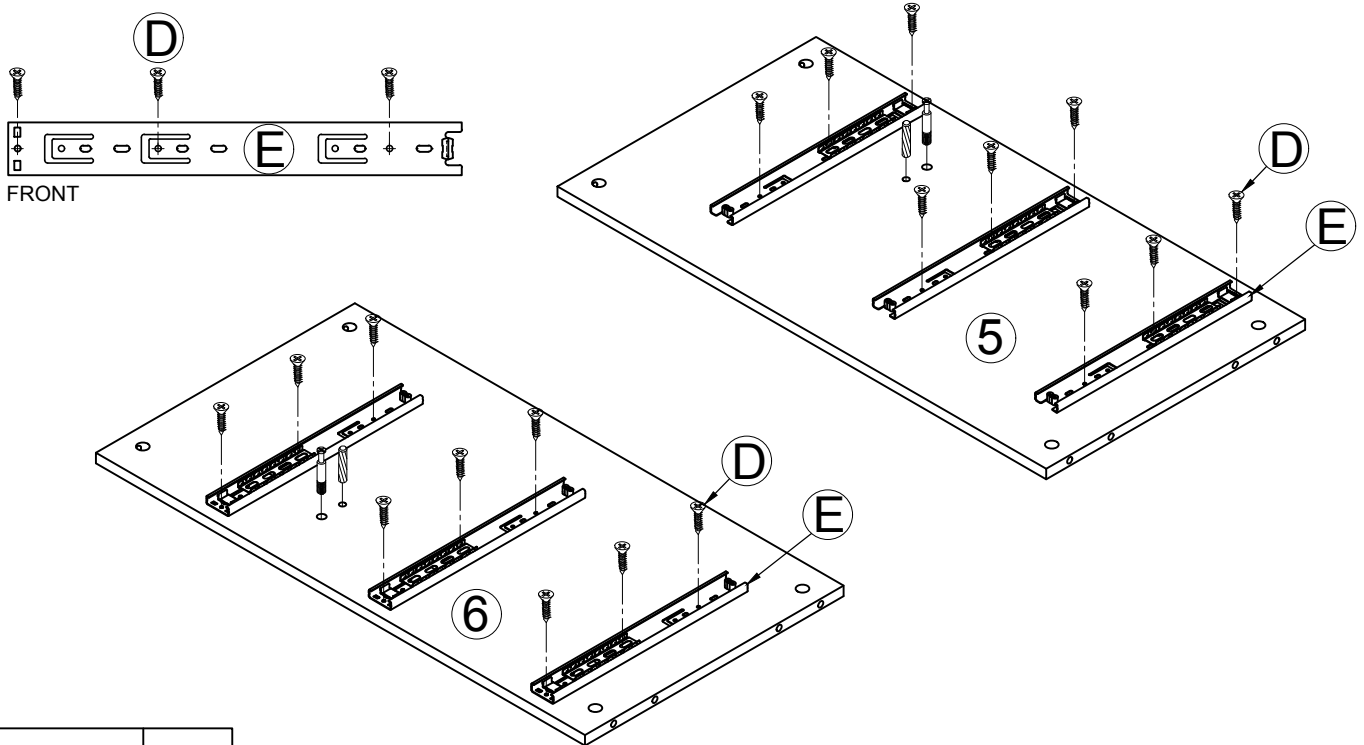
QTY: 4

ASSEMBLY INSTRUCTIONS

STEP 1

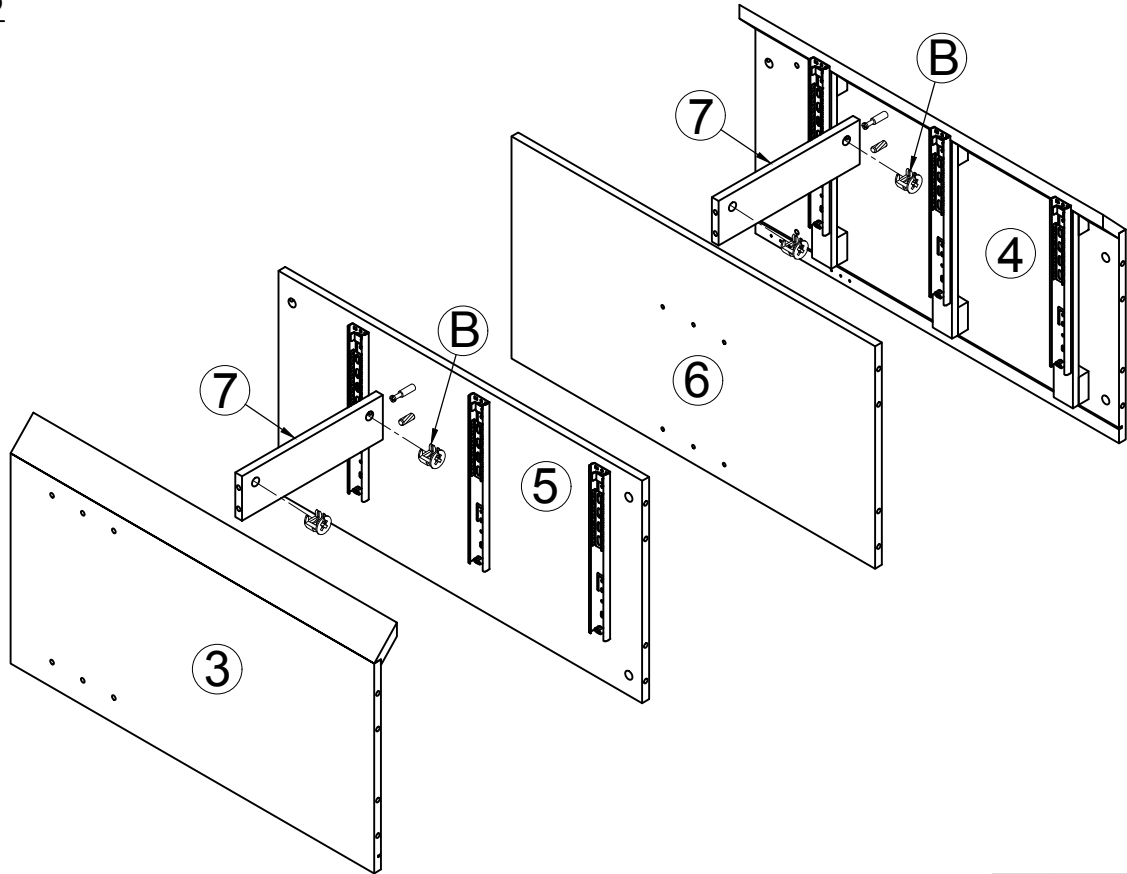


STEP 2



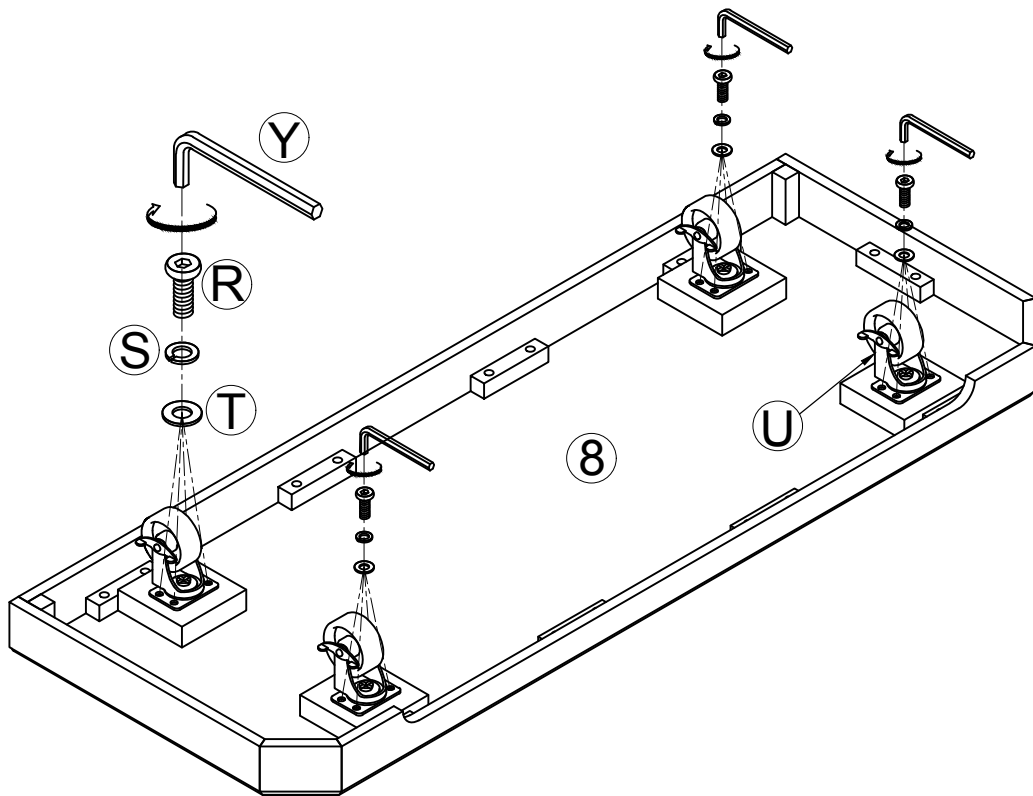
ASSEMBLY INSTRUCTIONS

STEP 3



B		4PCS
---	--	------

STEP 4

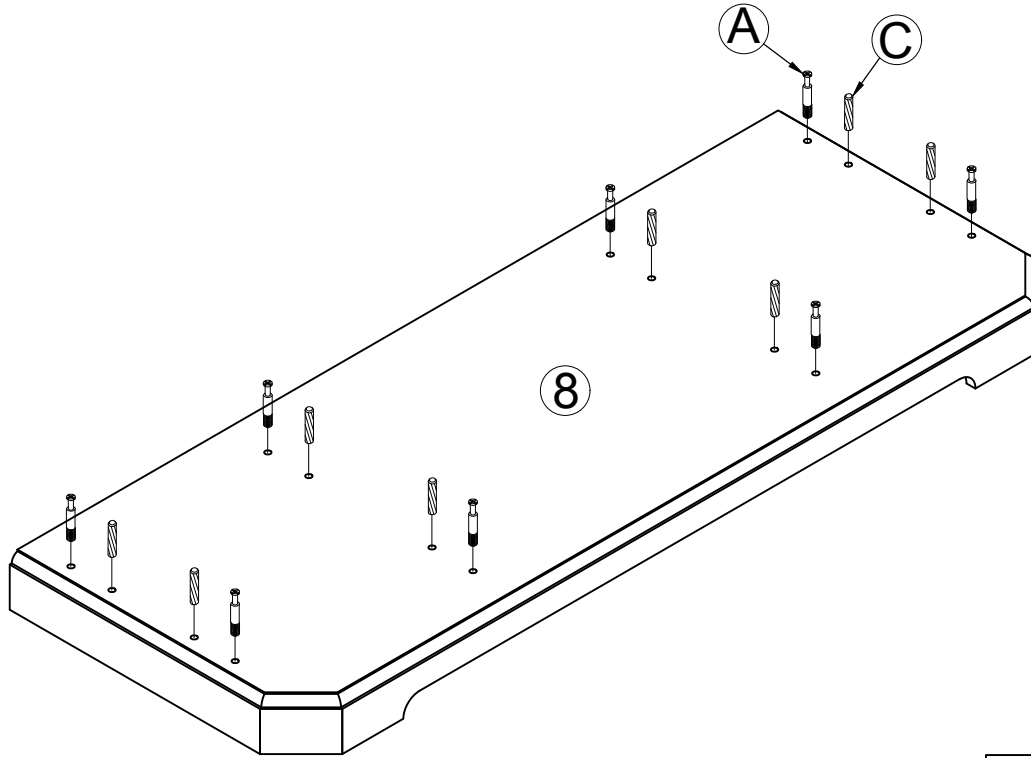


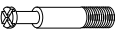

R		16PCS
S		16PCS
T		16PCS

U		4PCS
X		1PC

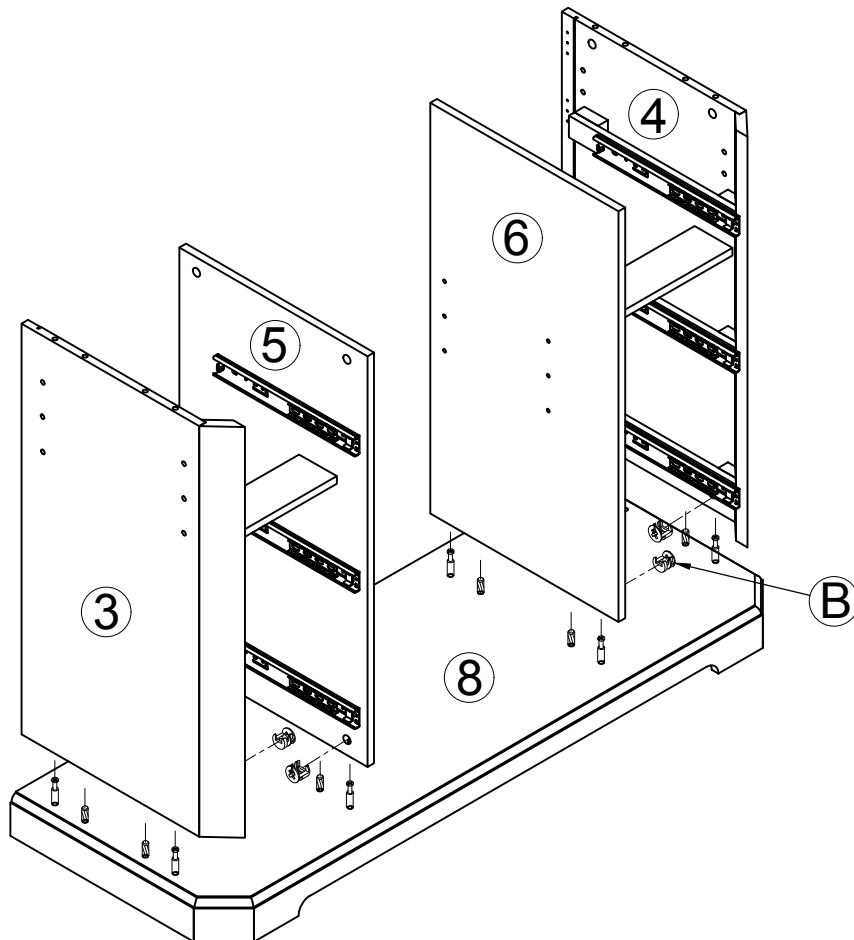
ASSEMBLY INSTRUCTIONS

STEP 5



A		8PCS
C		8PCS

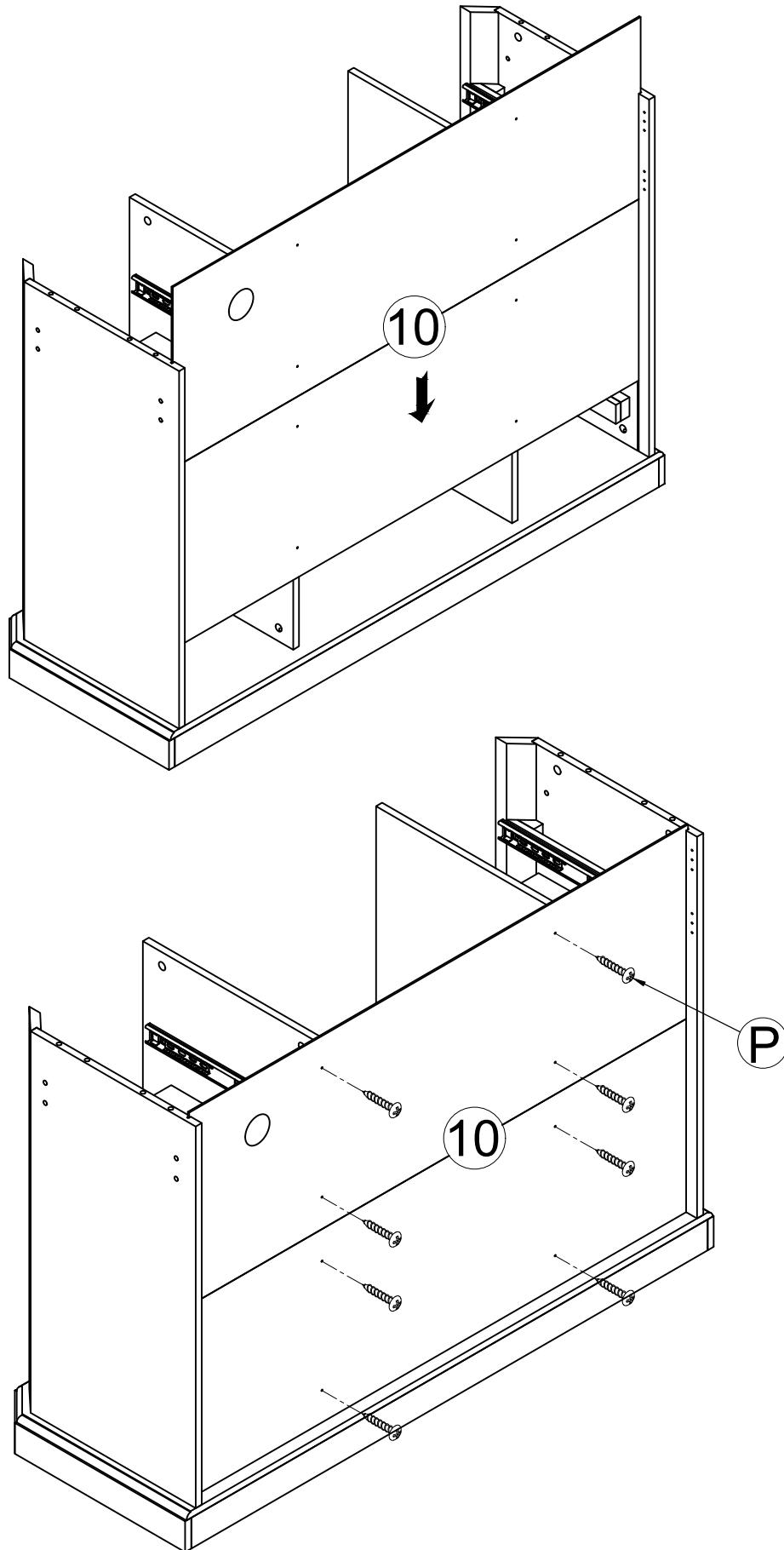
STEP 6



B		8PCS
---	---	------

ASSEMBLY INSTRUCTIONS

STEP 7



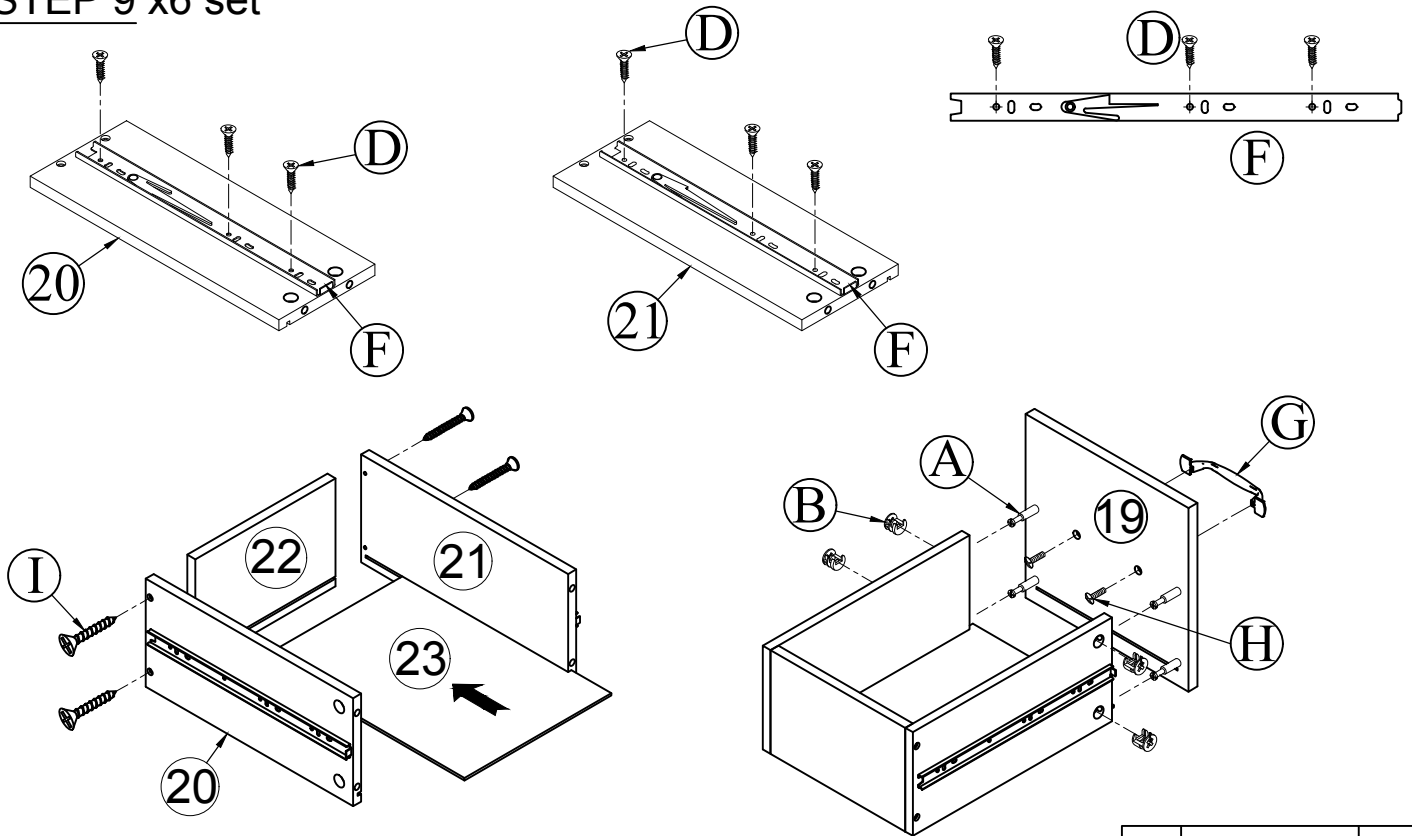
P



8PCS

ASSEMBLY INSTRUCTIONS

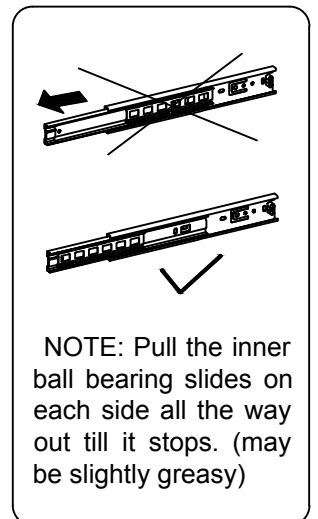
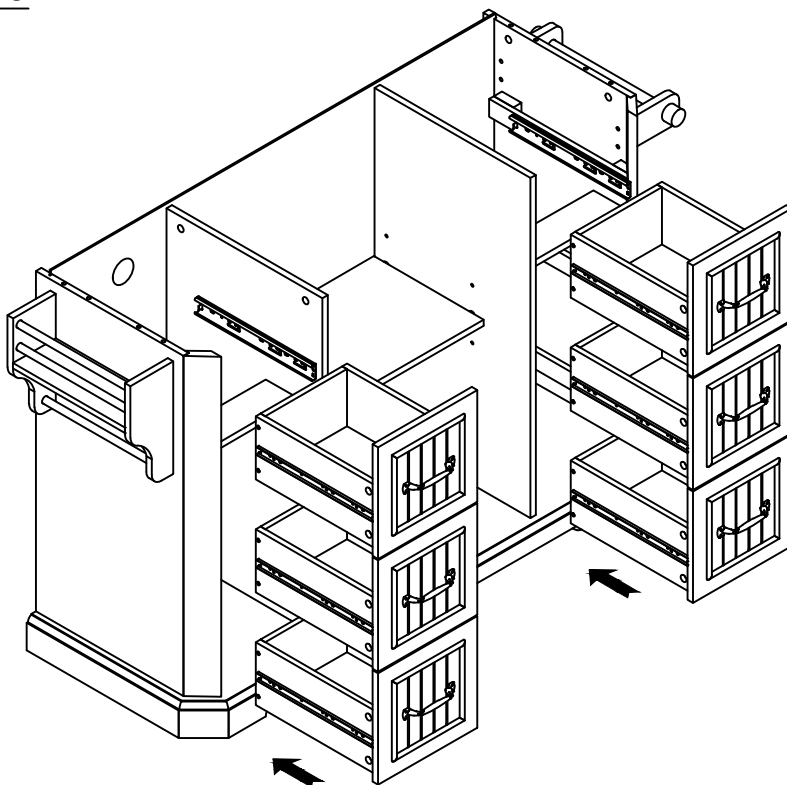
STEP 9 x6 set



I		24PCS
D		36PCS
F		12PCS

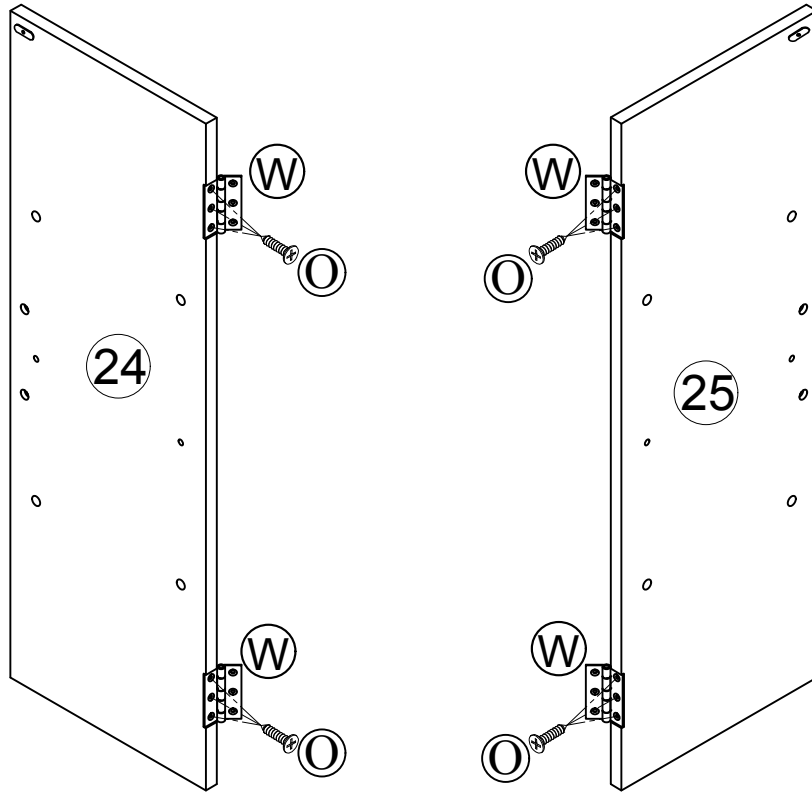
A		24PCS
B		24PCS
G		6PCS
H		12PCS


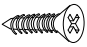
STEP 10



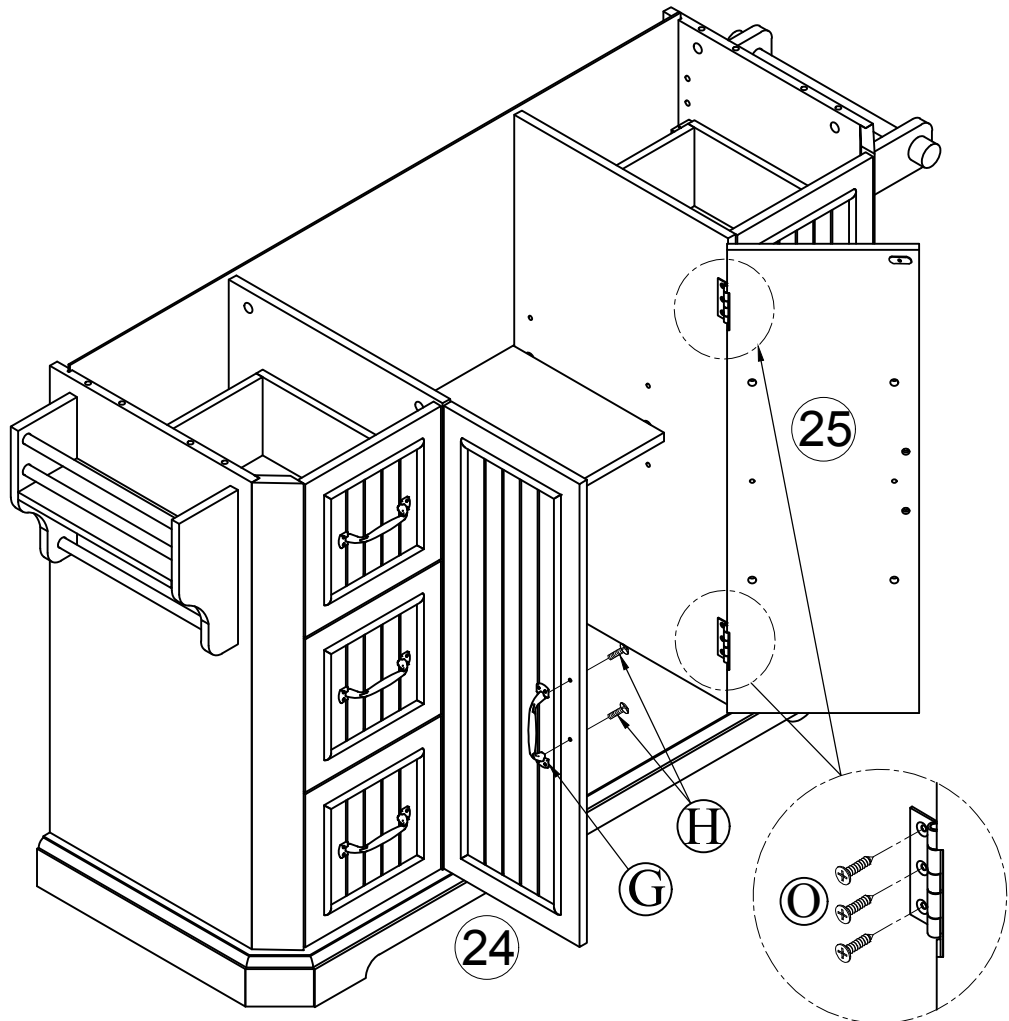
ASSEMBLY INSTRUCTIONS

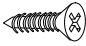


STEP 11



W		4PCS
O		12PCS

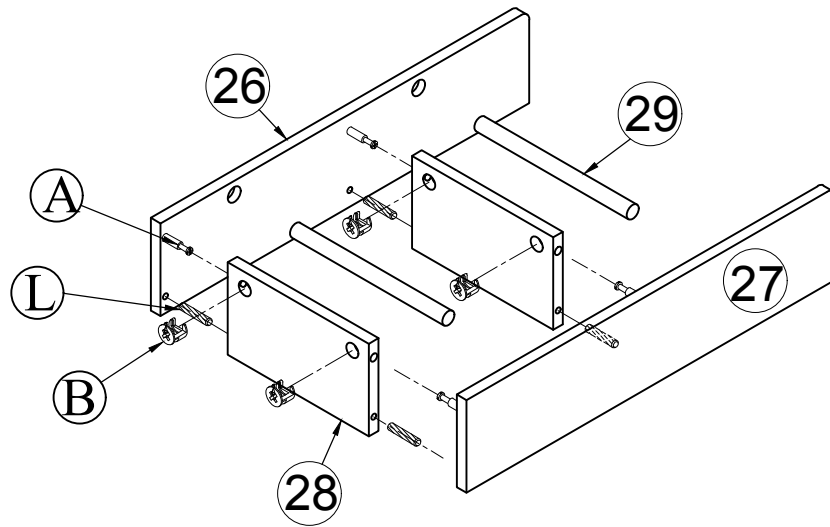
STEP 12

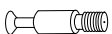




O		12PCS
G		2PCS
H		4PCS

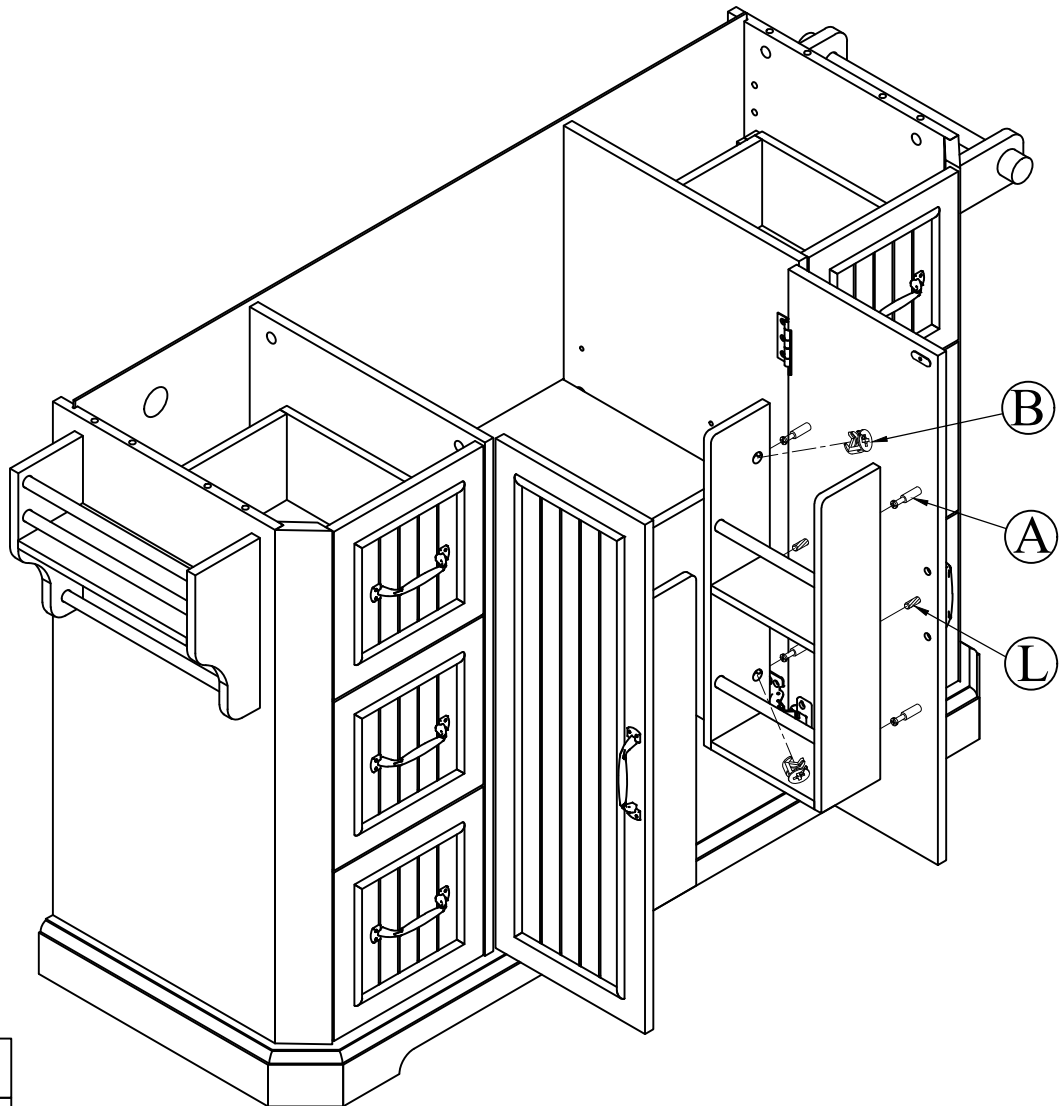
ASSEMBLY INSTRUCTIONS

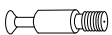


STEP 13 x2set



A		8PCS
B		8PCS
L		8PCS

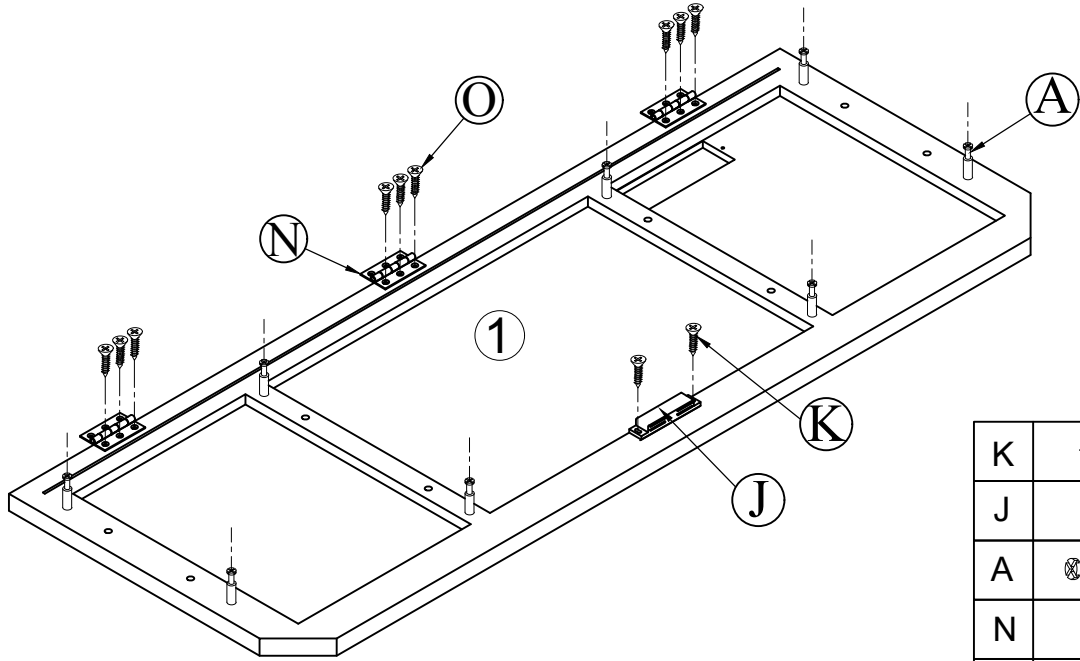
STEP 14



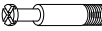

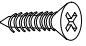


A		8PCS
B		8PCS
L		4PCS

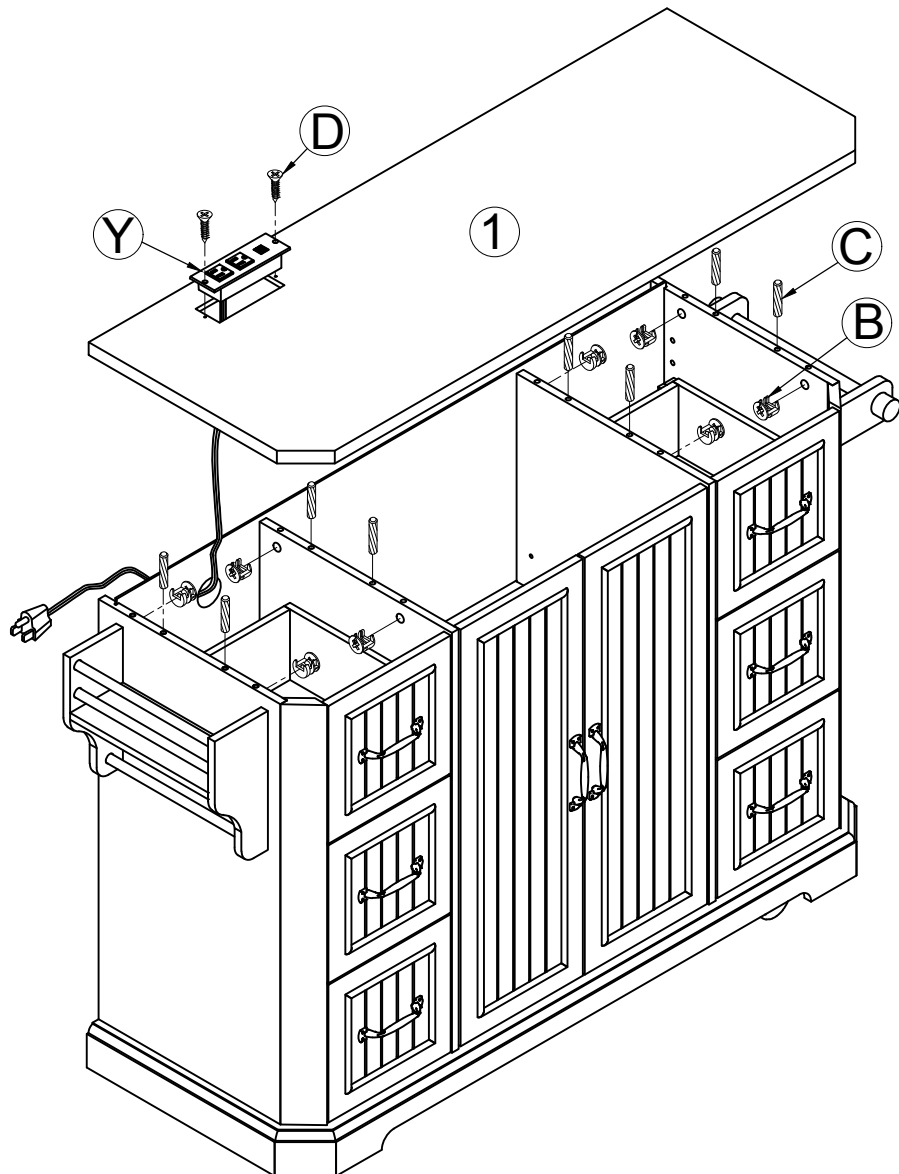
ASSEMBLY INSTRUCTIONS


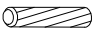


STEP 15



K		2PCS
J		1PC
A		8PCS
N		3PCS
O		9PCS

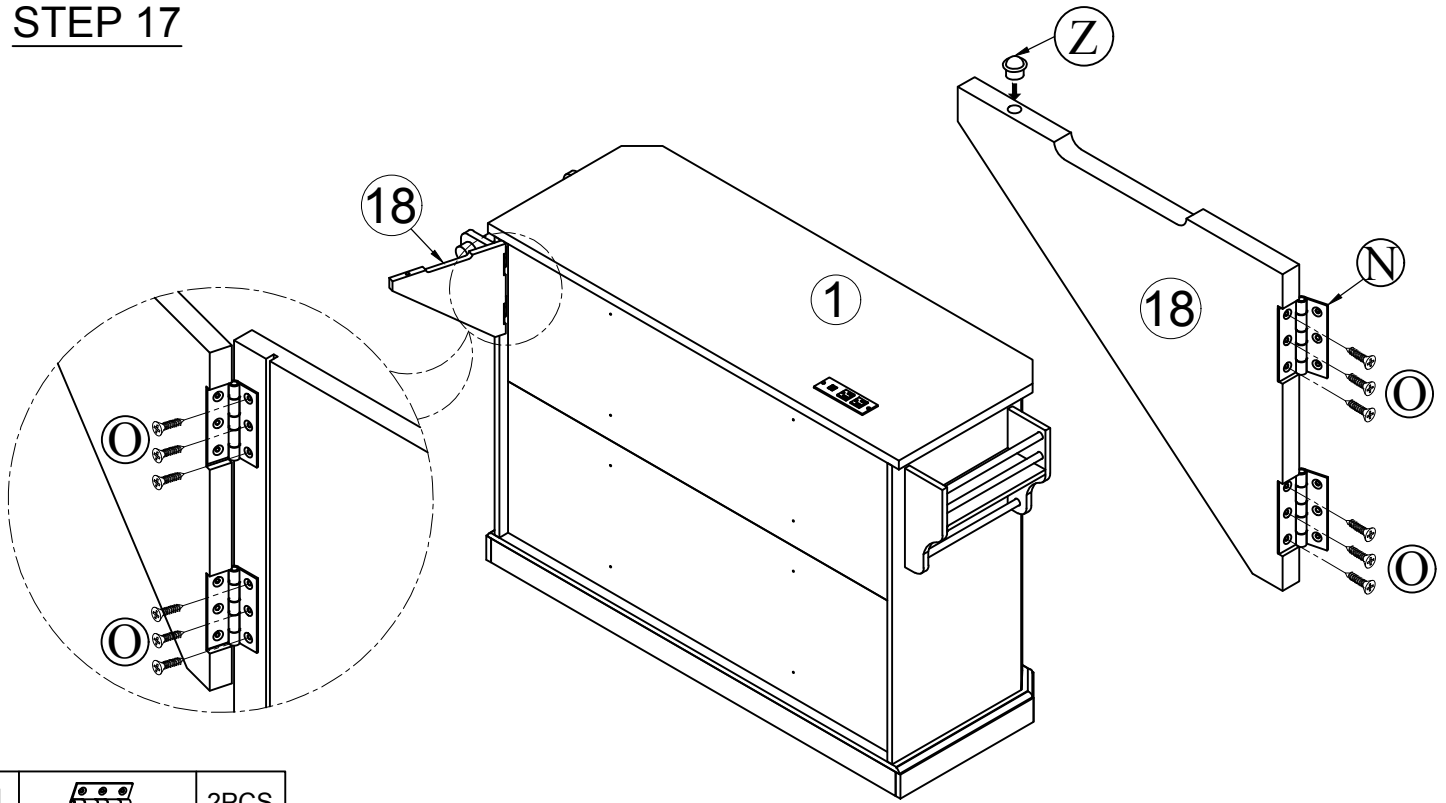
STEP 16


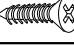



B		8PCS
C		8PCS
D		2PCS
Y		1PC

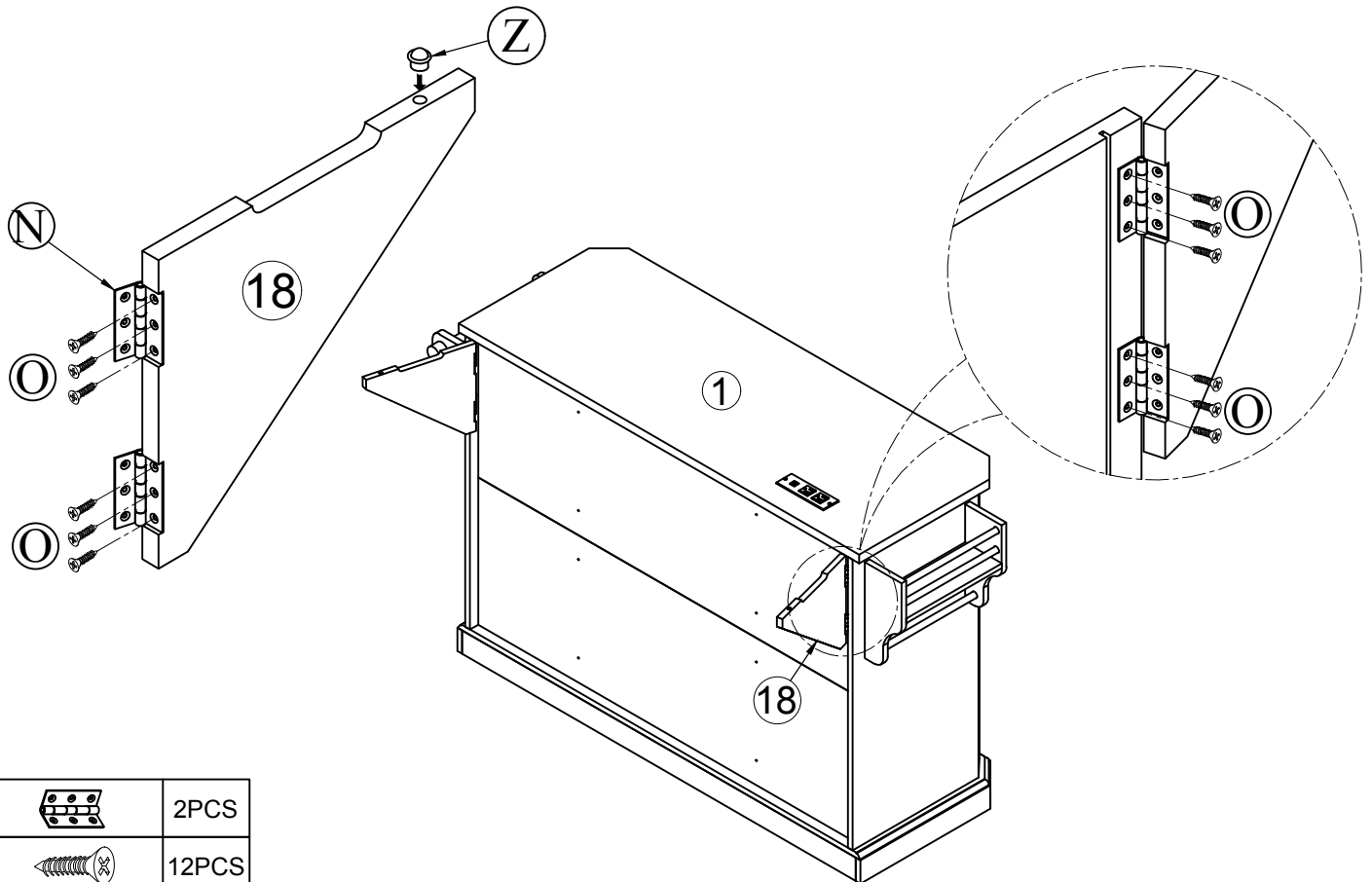
ASSEMBLY INSTRUCTIONS

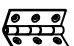
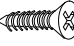

STEP 17



N		2PCS
O		12PCS
Z		1PCS

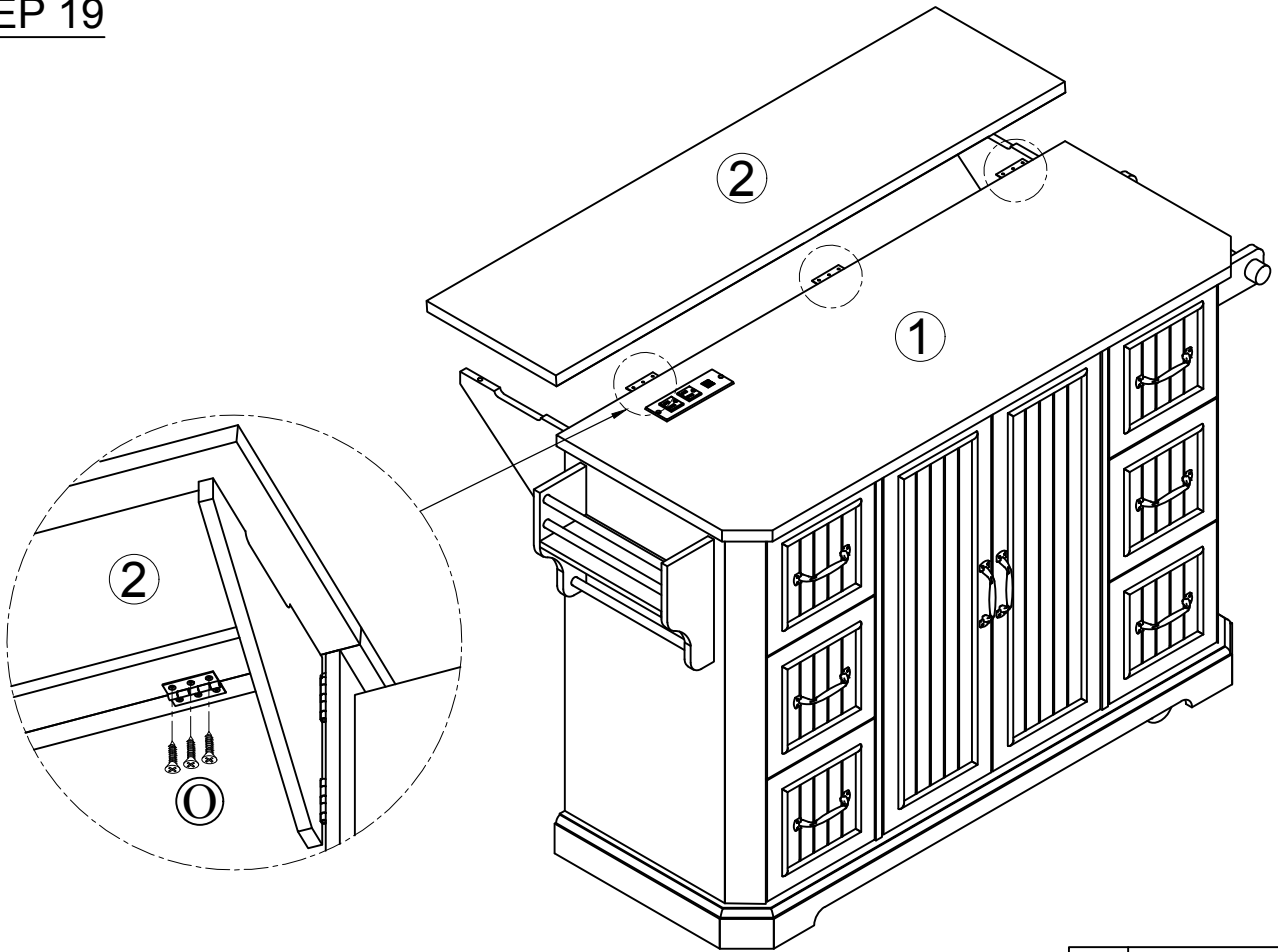
STEP 18

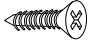


N		2PCS
O		12PCS
Z		1PCS

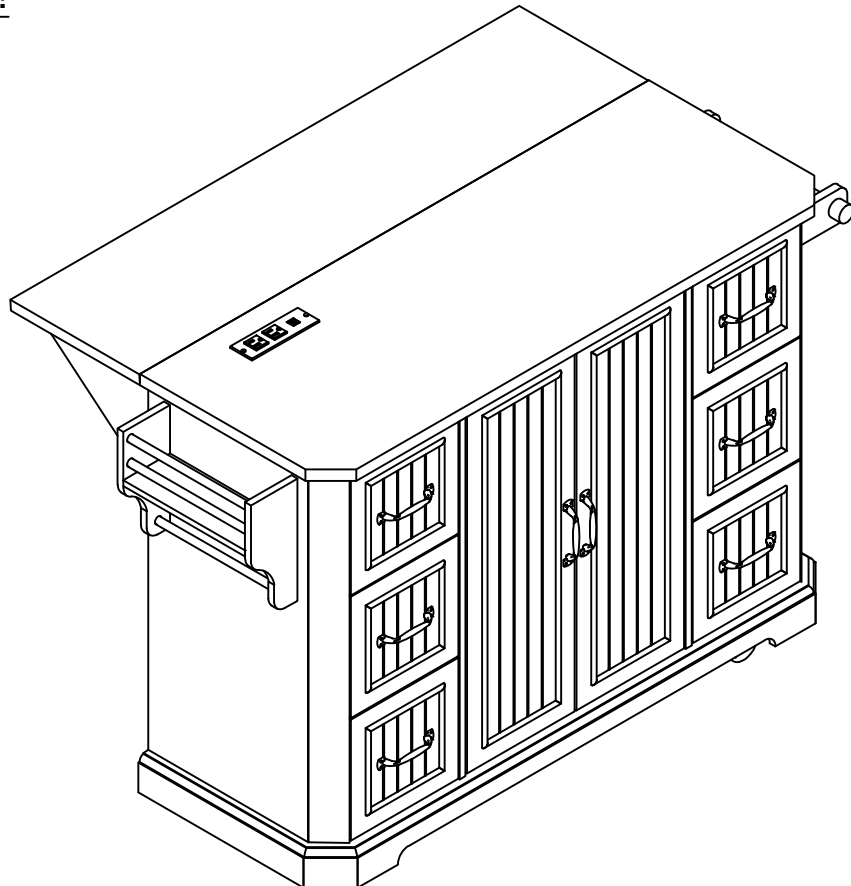
ASSEMBLY INSTRUCTIONS

STEP 19

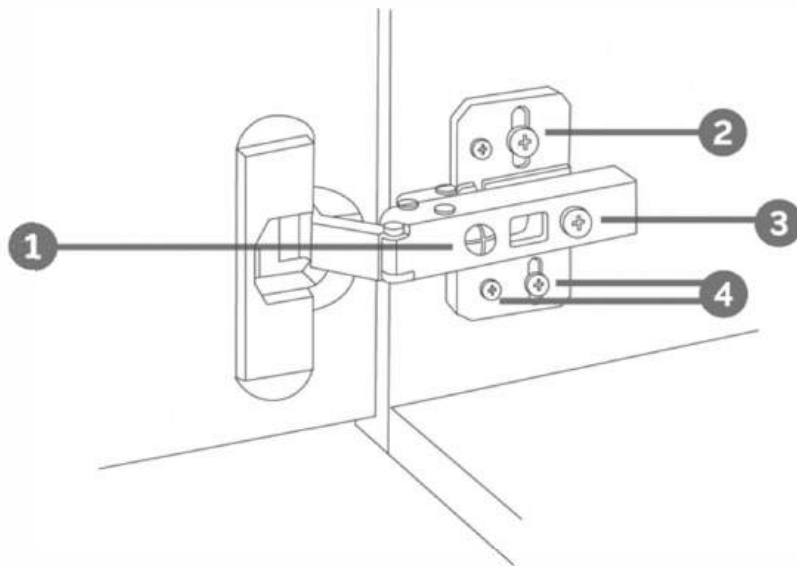


O		9PCS
---	---	------

COMPLETED !

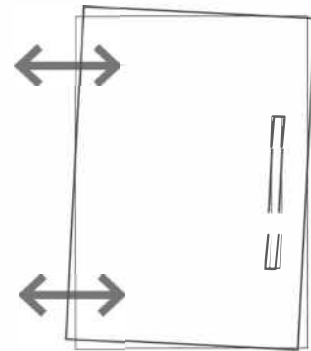


HINGE ADJUSTMENTS



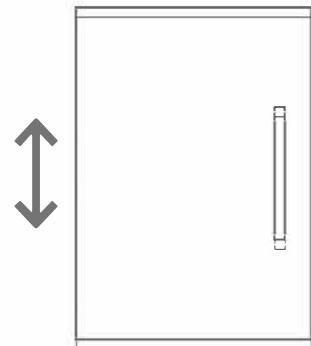
1 Sideways / Tilt adjustment

Turn the screw
clockwise to move the door further away from
the side of the cabinet
anticlockwise to move the door closer to the
side of the cabinet



2 4 Height adjustment

While supporting the weight of the door, turn the
screws
clockwise to move the door up
anticlockwise to move the door down



3 Forward and back adjustment

If the gap between the back of the door and the
cabinet is too small, and the door may not close
fully. Turn the screw
clockwise to decrease the gap between the
door and the cabinet
anticlockwise to increase the gap between the
door and the cabinet

