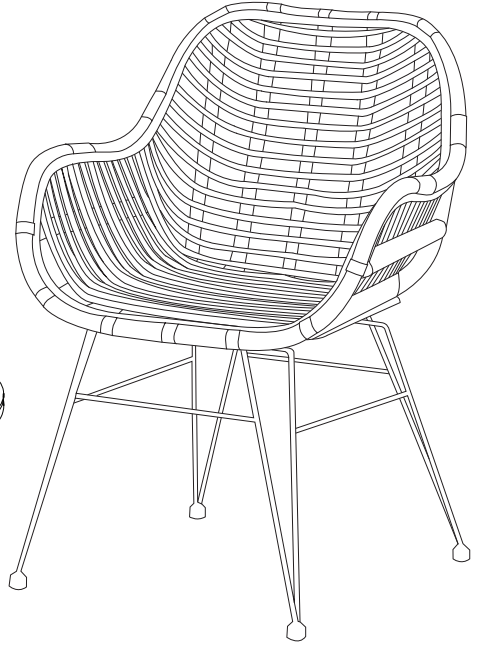


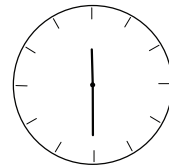
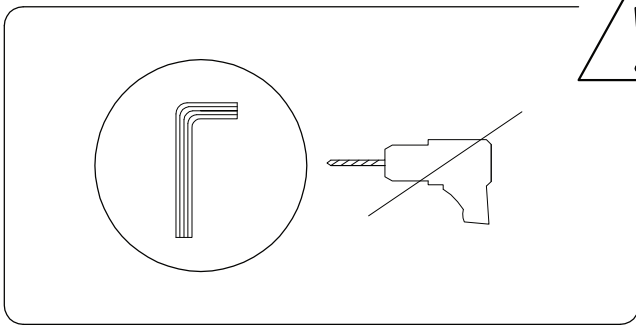
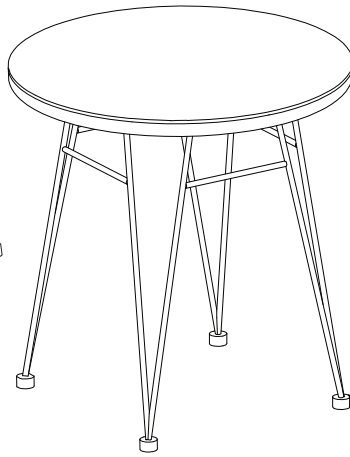
A



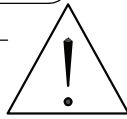
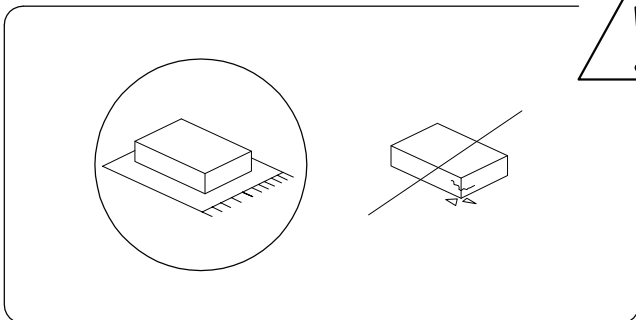
A



B



30'

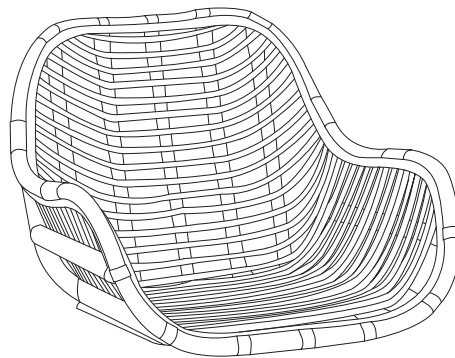


1

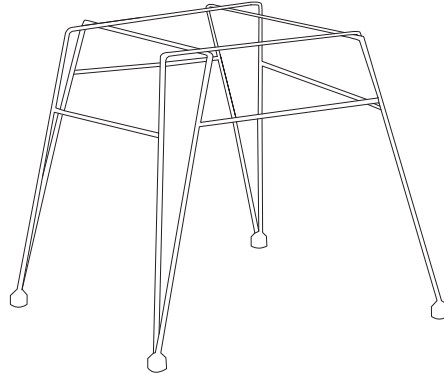
# A x 2





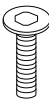
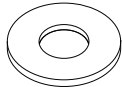

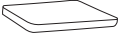
6







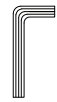
2

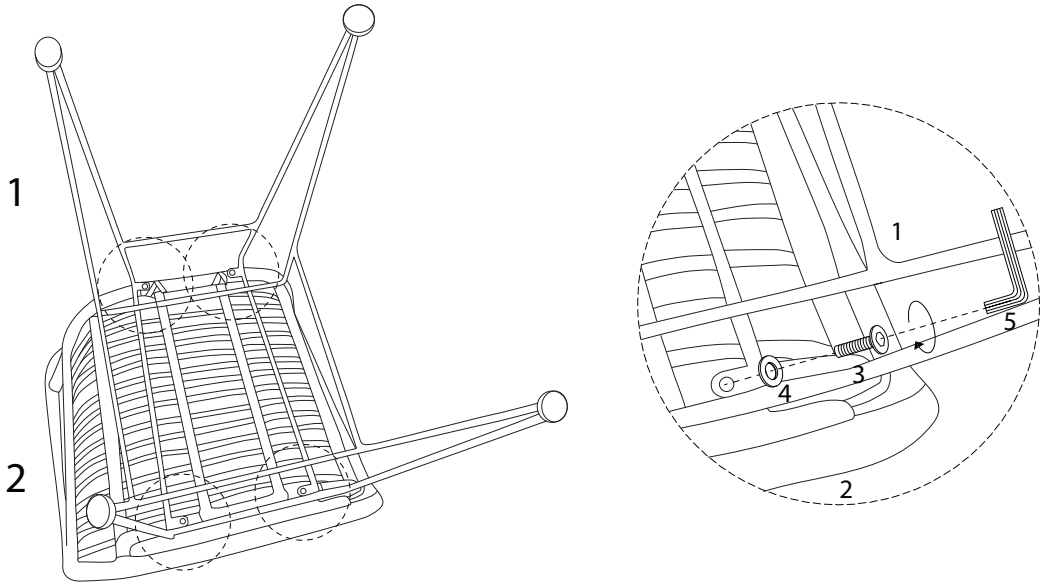


1

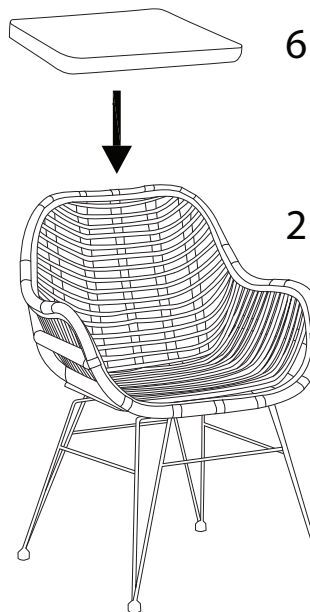
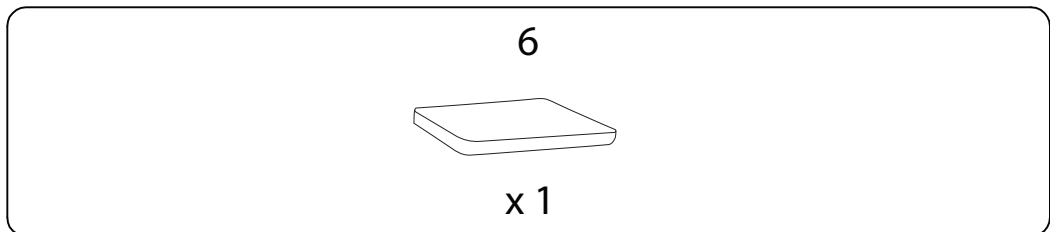
1	2	3	4	5	6
		 M6 x 20			
x 1	x 1	x 4	x 4	x 1	x 1

1

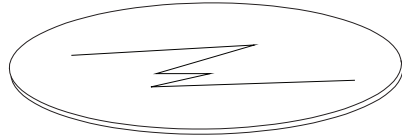
<p>1</p>  <p>x 1</p>	<p>2</p>  <p>x 1</p>	<p>3</p> <p>M6 x 20</p>  <p>x 4</p>	<p>4</p>  <p>x 4</p>	<p>5</p>  <p>x 1</p>
---	---	--	---	---



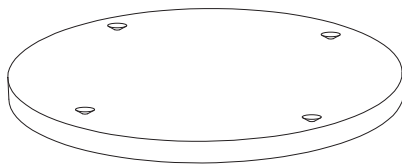
2



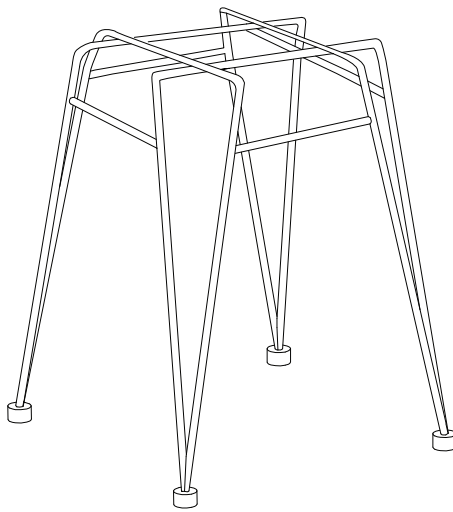
# B



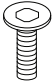
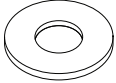
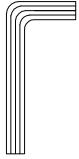



C





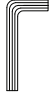


A

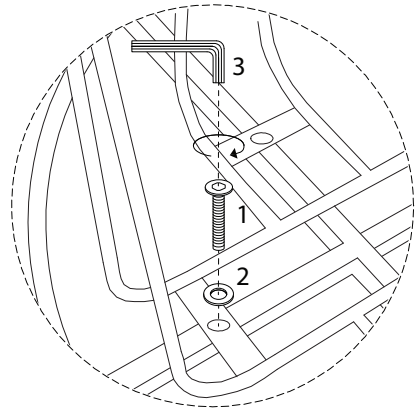
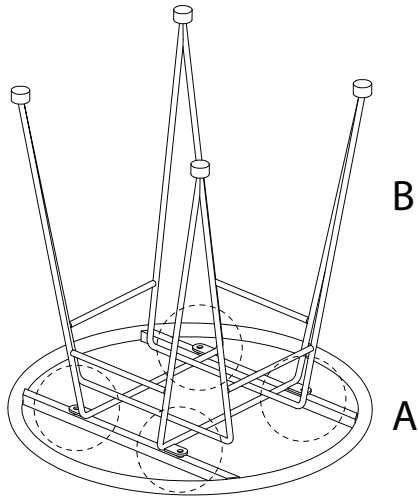


B

1	2	3	A	B	C
 M6 x 15					
x 4	x 4	x 1	x 1	x 1	x 1

1

<p>1</p>  <p>M6 x 15</p> <p>x 4</p>	<p>2</p>  <p>x 4</p>	<p>3</p>  <p>x 1</p>	<p>A</p>  <p>x 1</p>	<p>B</p>  <p>x 1</p>
--	---	---	---	---



2

