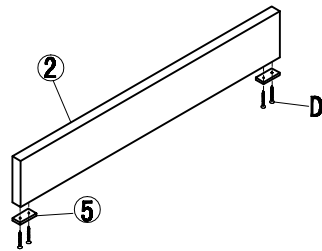
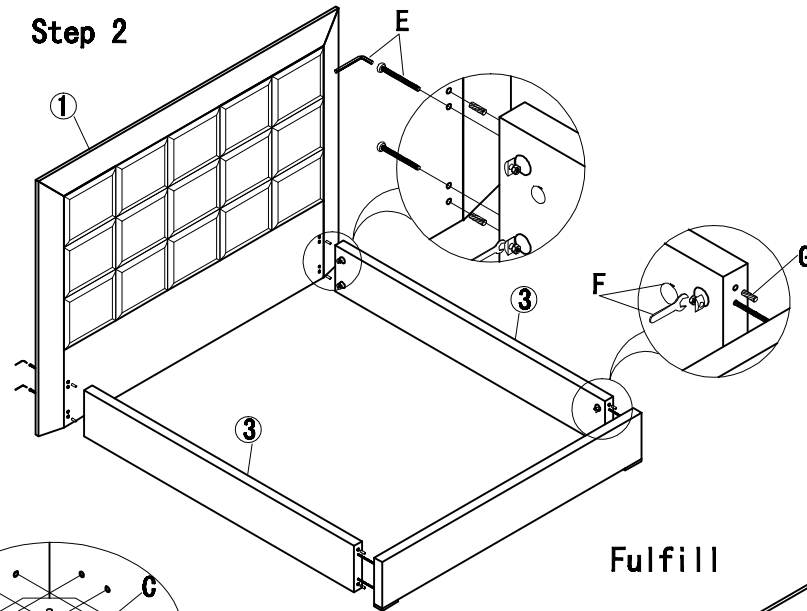


| NO. | PARTS LIST | QYT |
|-----|---------------------------|-------|
| 1 | Head board(2246*60*1650) | 1 pcs |
| 2 | Bottom panel(1942*300*60) | 1 pcs |
| 3 | Side pana(2020*300*60) | 2 pcs |
| 4 | Leg(235*60*60) | 2 pcs |
| 5 | Ornament plate(120*50*16) | 2 pos |

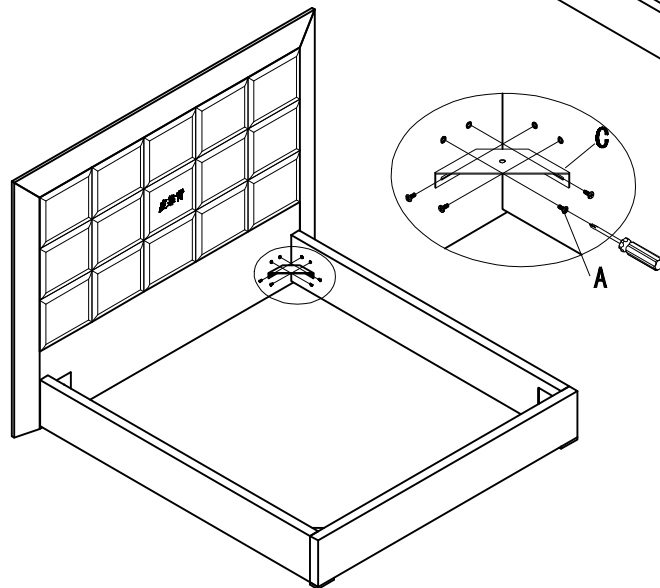
Step 1



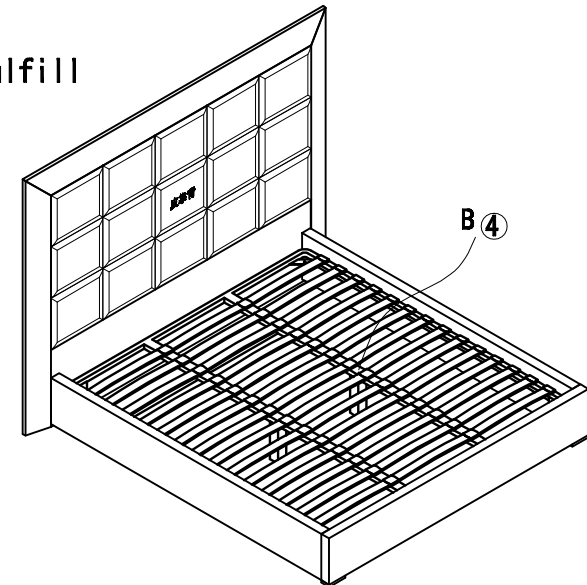
Step 2



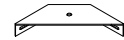






Step 3



Fulfill



| | | | | | | | | | |
|---------------------------------------------------------------------------------------------------------------------------|--------------------------------------------------------------------------------------------------------------------------|----------------------------------------------------------------------------------------------------------------------------------------|--------------------------------------------------------------------------------------------------------------------------|----------------------------------------------------------------------------------------------------------------------------|----------------------------------------------------------------------------------------------------------------------|------------------------------------------------------------------------------------------------------------------------------------|--|-------------------------|-------------------------------|
| <p>A</p>  <p>Screw 6*15 16 PCS</p> | <p>B</p>  <p>Screw 8*40 2 PCS</p> | <p>C</p>  <p>Angle bracket 168*168*35 4 PCS</p> | <p>D</p>  <p>Screw 4*30 4 PCS</p> | <p>E</p>  <p>Screw 8*110 4 PCS</p> | <p>F</p>  <p>KD parts 4 set</p> | <p>G</p>  <p>wooden tenon 10*30 8 pcs</p> | | <p>NAME</p> <p>SIZE</p> | <p>Bed</p> <p>L2020*W1820</p> |
|---------------------------------------------------------------------------------------------------------------------------|--------------------------------------------------------------------------------------------------------------------------|----------------------------------------------------------------------------------------------------------------------------------------|--------------------------------------------------------------------------------------------------------------------------|----------------------------------------------------------------------------------------------------------------------------|----------------------------------------------------------------------------------------------------------------------|------------------------------------------------------------------------------------------------------------------------------------|--|-------------------------|-------------------------------|