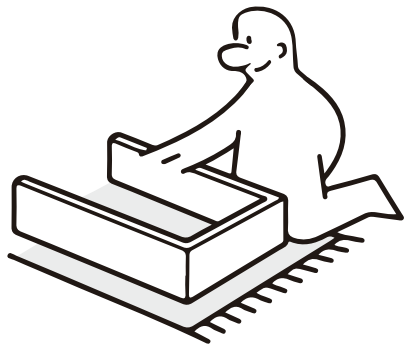
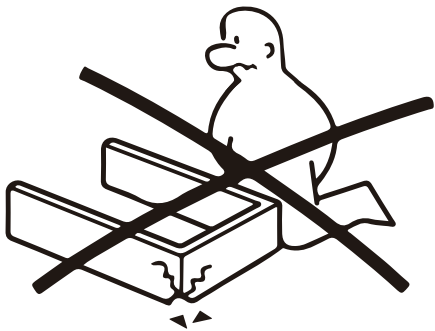
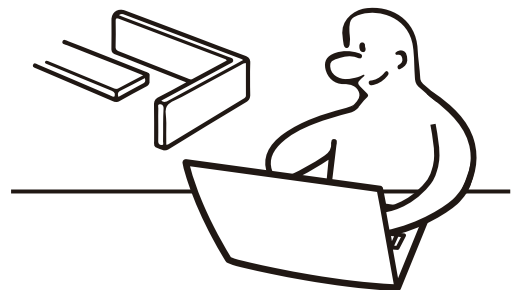
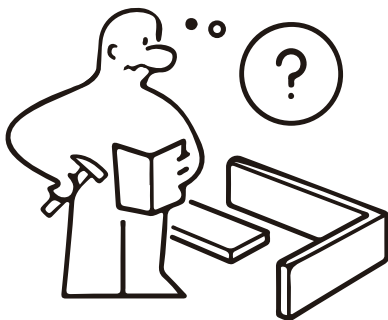


ATTENTION

※ **Stay Scratch-Free: Safeguard Your Furniture by Assembling on Carpet.**



※ **Stuck in Assembly Limbo? Check out our website or contact our support team for quick solutions!**

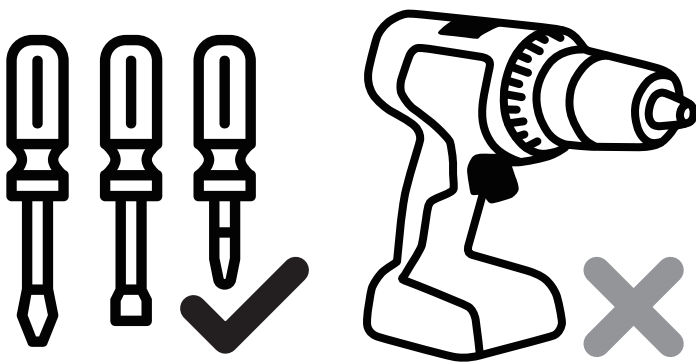


WARNING: ASSEMBLY NOTICE

Attention

Important Instructions for Assembling Your Furniture To ensure the longevity and integrity of your MDF furniture, please adhere to the following guidelines:

DO NOT USE AN ELECTRIC DRILL



Using an electric drill can cause irreversible **damage to the MDF boards**, leading to compromised structural integrity and potential voiding of your warranty.

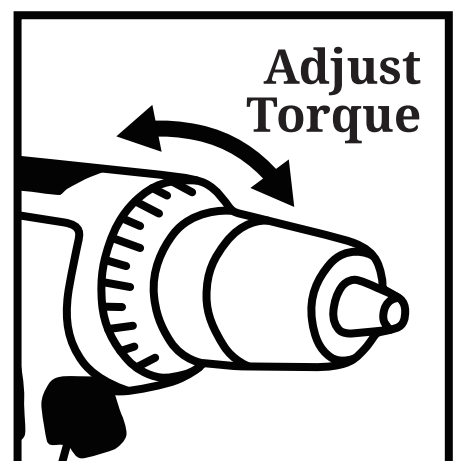
IF AN ELECTRIC DRILL MUST BE USED

- **Set to Lowest Torque Setting :**

Ensure your drill is set to the lowest possible torque setting to avoid over-tightening and damaging the material.

- **Proceed with Caution :**

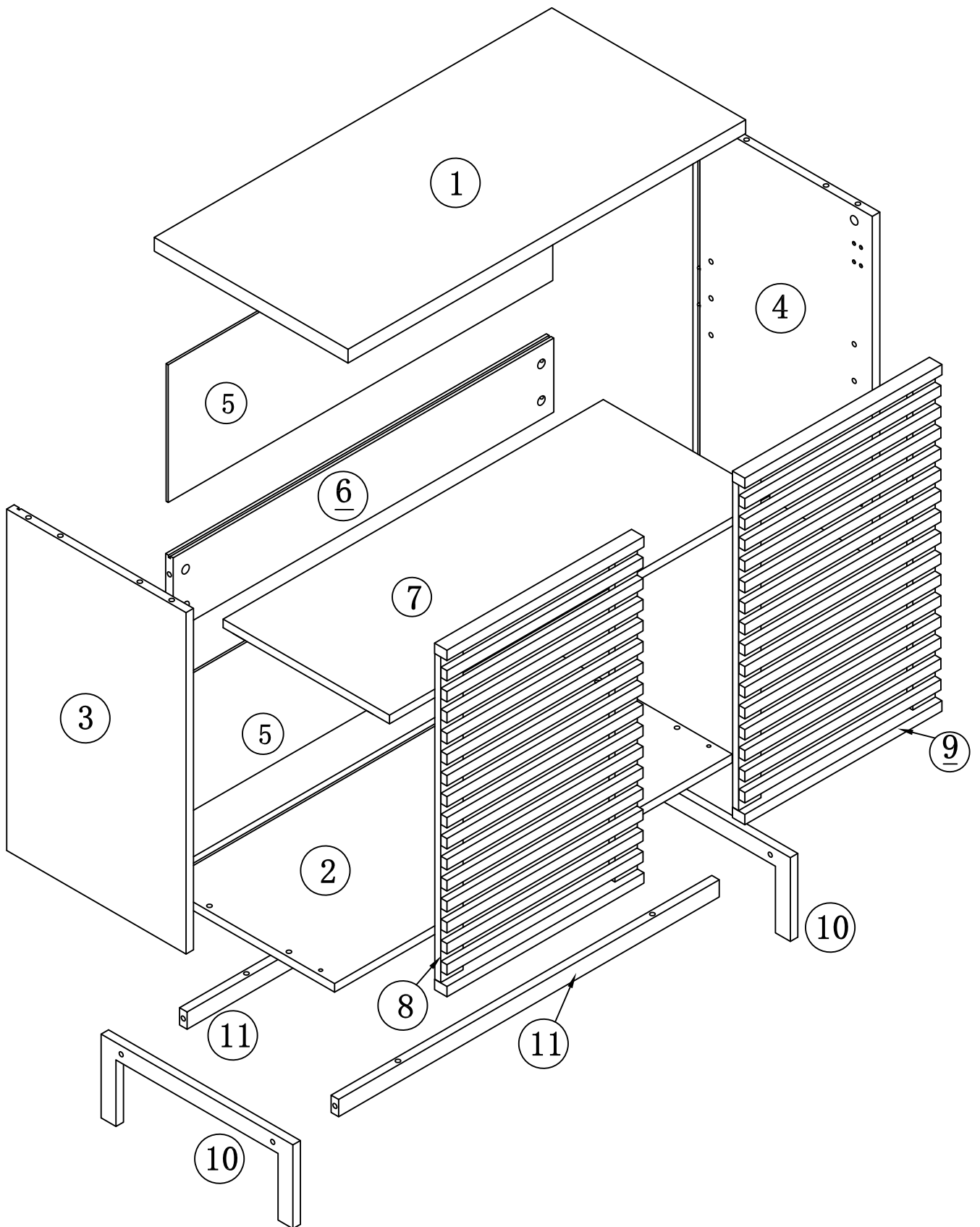
Carefully monitor the drilling process to prevent excessive force and damage.



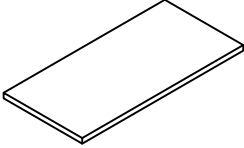
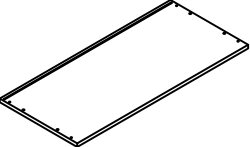
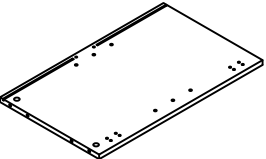
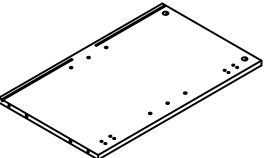
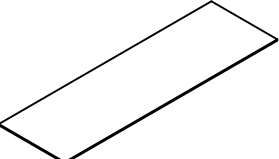
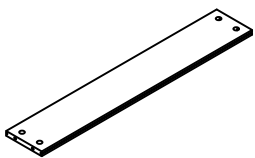
For best results and to avoid any damage, we highly recommend using the provided manual tools or a handheld screwdriver.

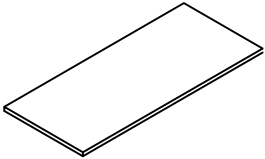
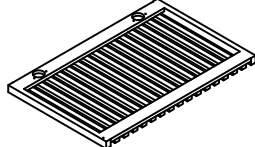
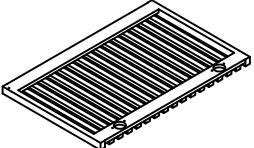
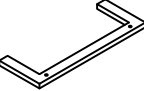
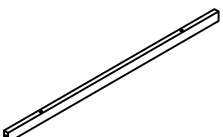
Thank you for your attention and understanding.

PARTS LIST

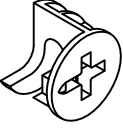
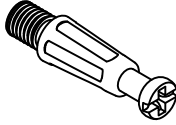
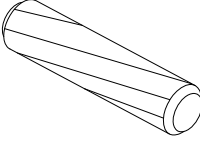
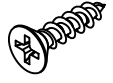
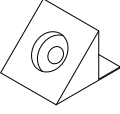

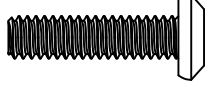
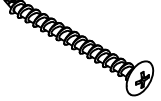
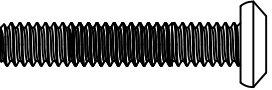
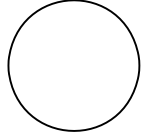


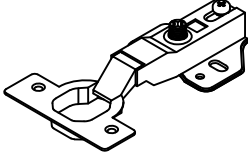
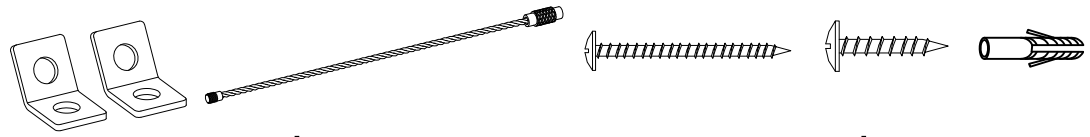
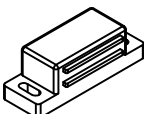




PARTS LIST

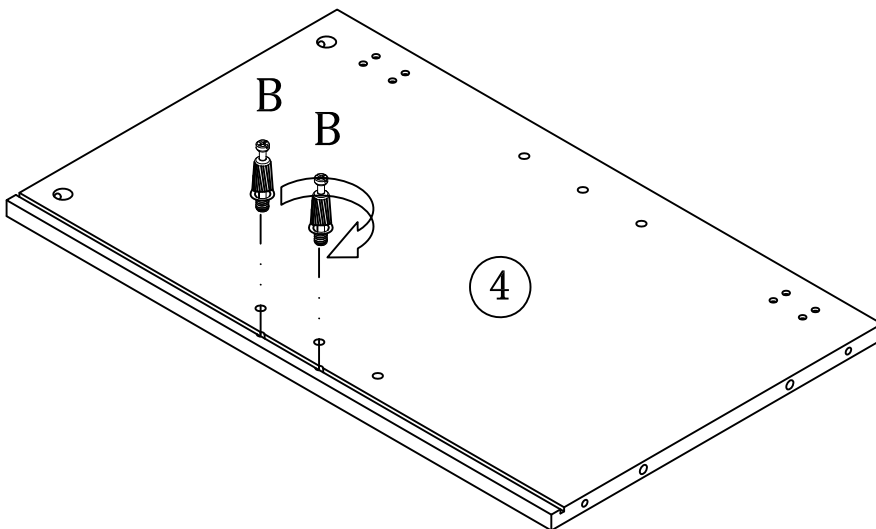
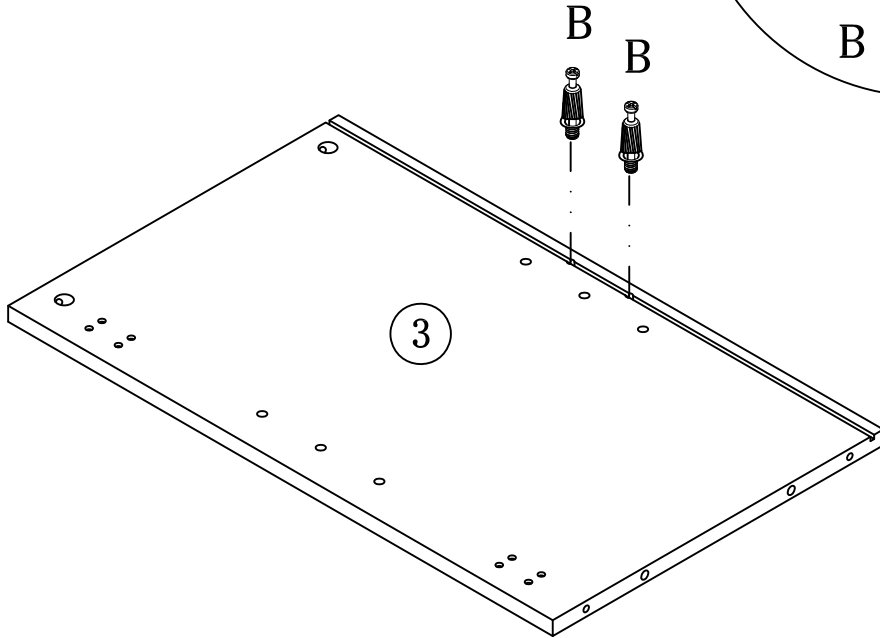
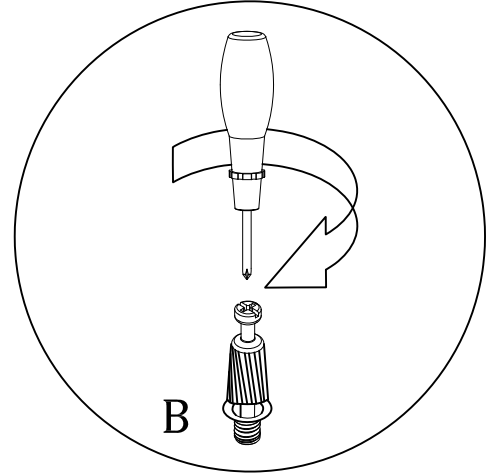
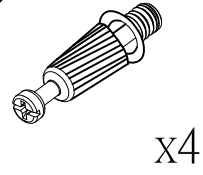
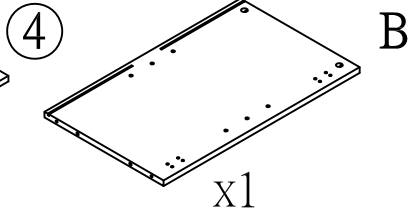
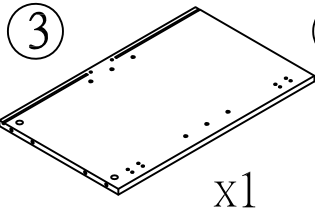
Item	Reference Image	Qty
1		x1
2		x1
3		x1
4		x1
5		x2
6		x1

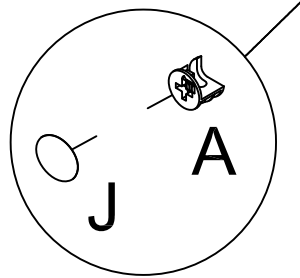
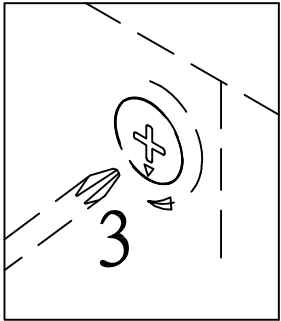
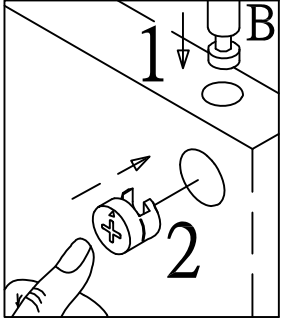
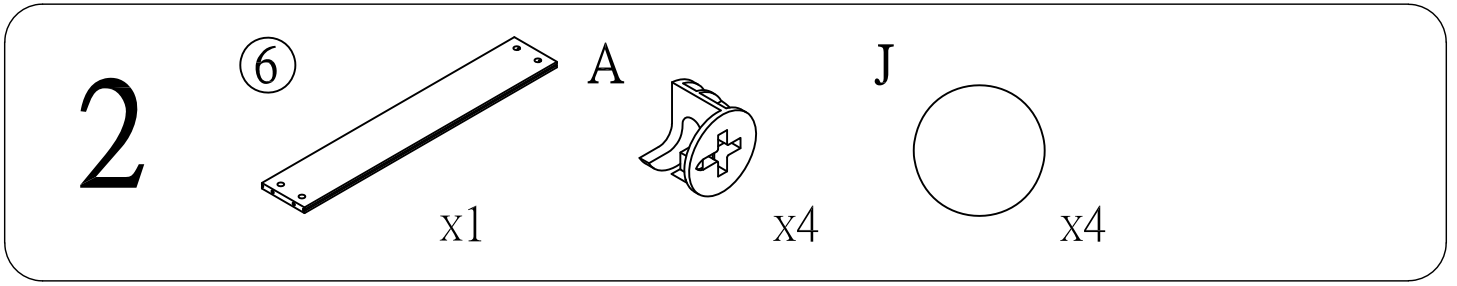
Item	Reference Image	Qty
7		x1
8		x1
9		x1
10		x2
11		x2

HARDWARE LIST

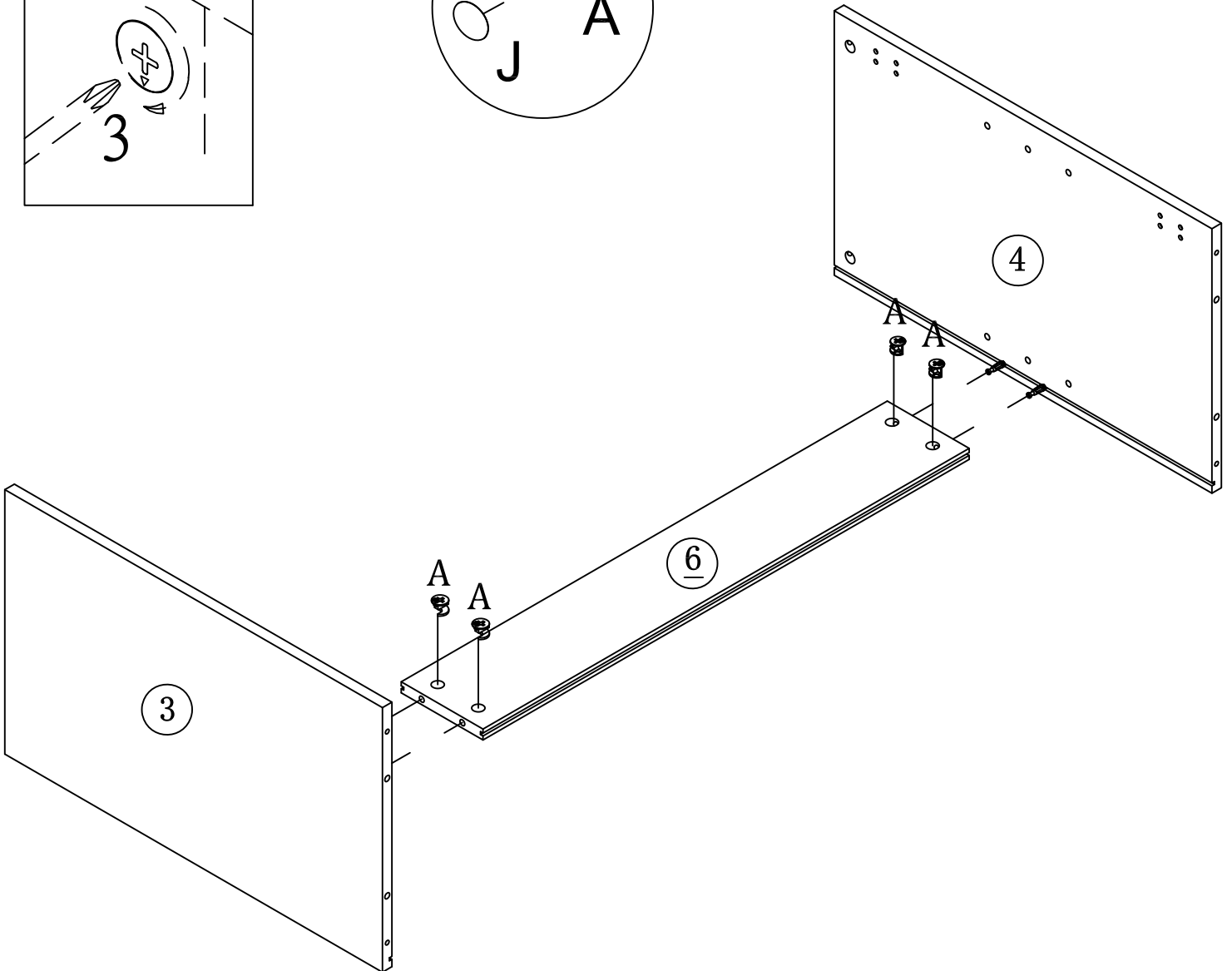
<p>A</p>  <p>x8</p>	<p>B</p>  <p>x8</p>	<p>C</p>  <p>x8</p>	<p>D</p>  <p>∅4x14mm x24</p>
<p>E</p>  <p>x8</p>	<p>F</p>  <p>∅3x16mm x10</p>	<p>G</p>  <p>∅6x23mm x4</p>	<p>H</p>  <p>∅4x40MM x4</p>
<p>I</p>  <p>x4</p>	<p>J</p>  <p>x8</p>	<p>K</p>  <p>x1</p>	<p>L</p>  <p>x4</p>
<p>M</p>  <p>x4</p>	<p>N</p>  <p>a b c d e</p> <p>x1</p>		
<p>O</p>  <p>x1</p>	<p>P</p>  <p>x2</p>	<p>Q</p>  <p>x2</p>	

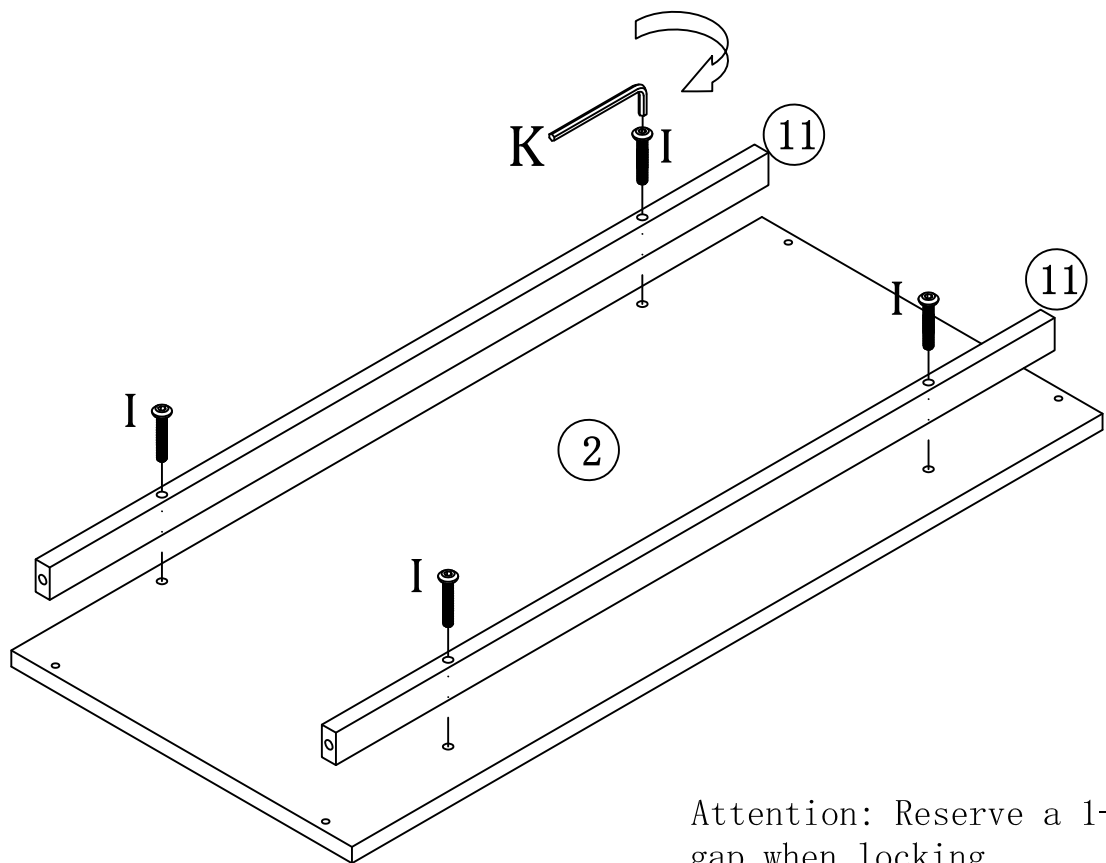
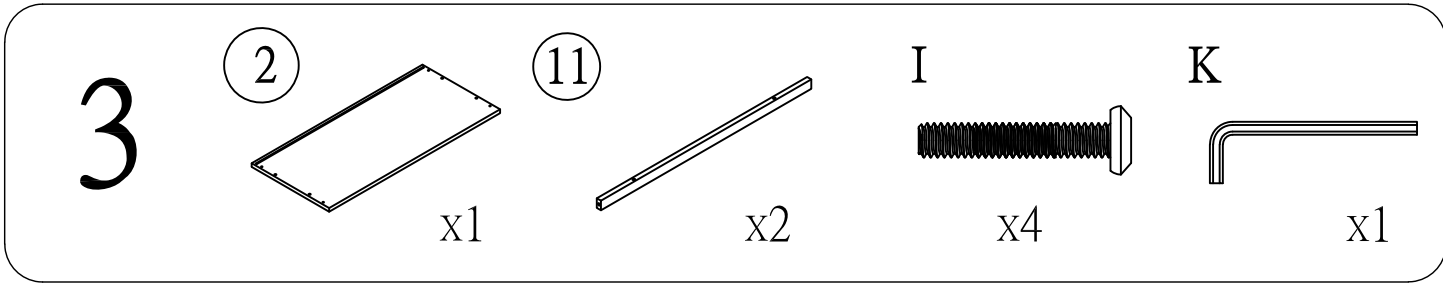
1



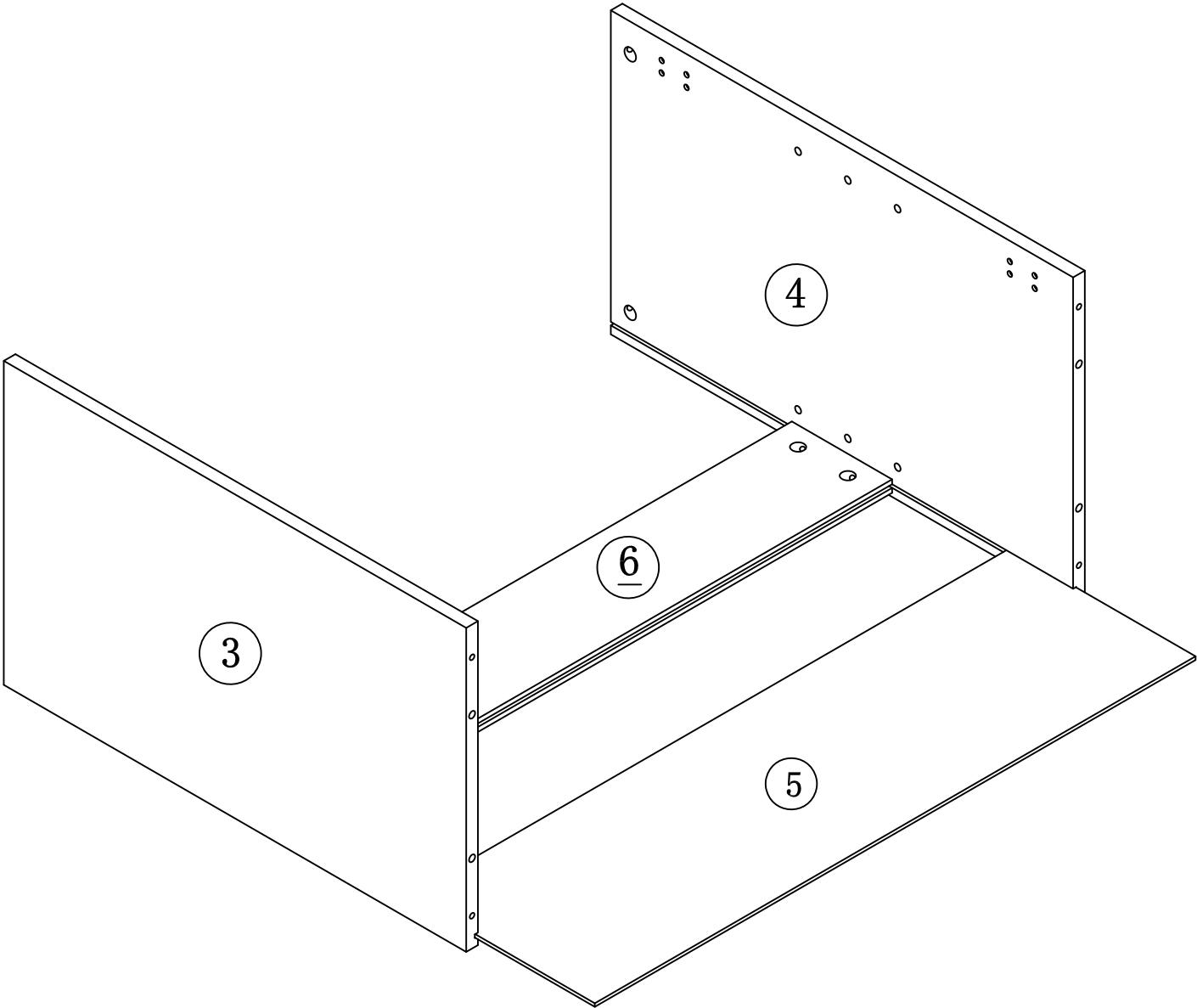
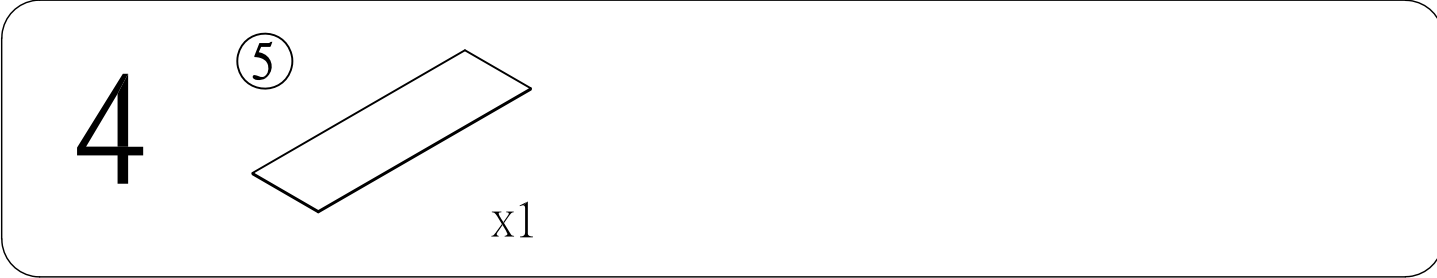


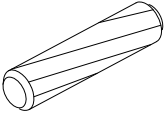
(A) After the eccentric wheel is locked on the plate, use (J) hole sticker to cover it

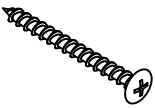


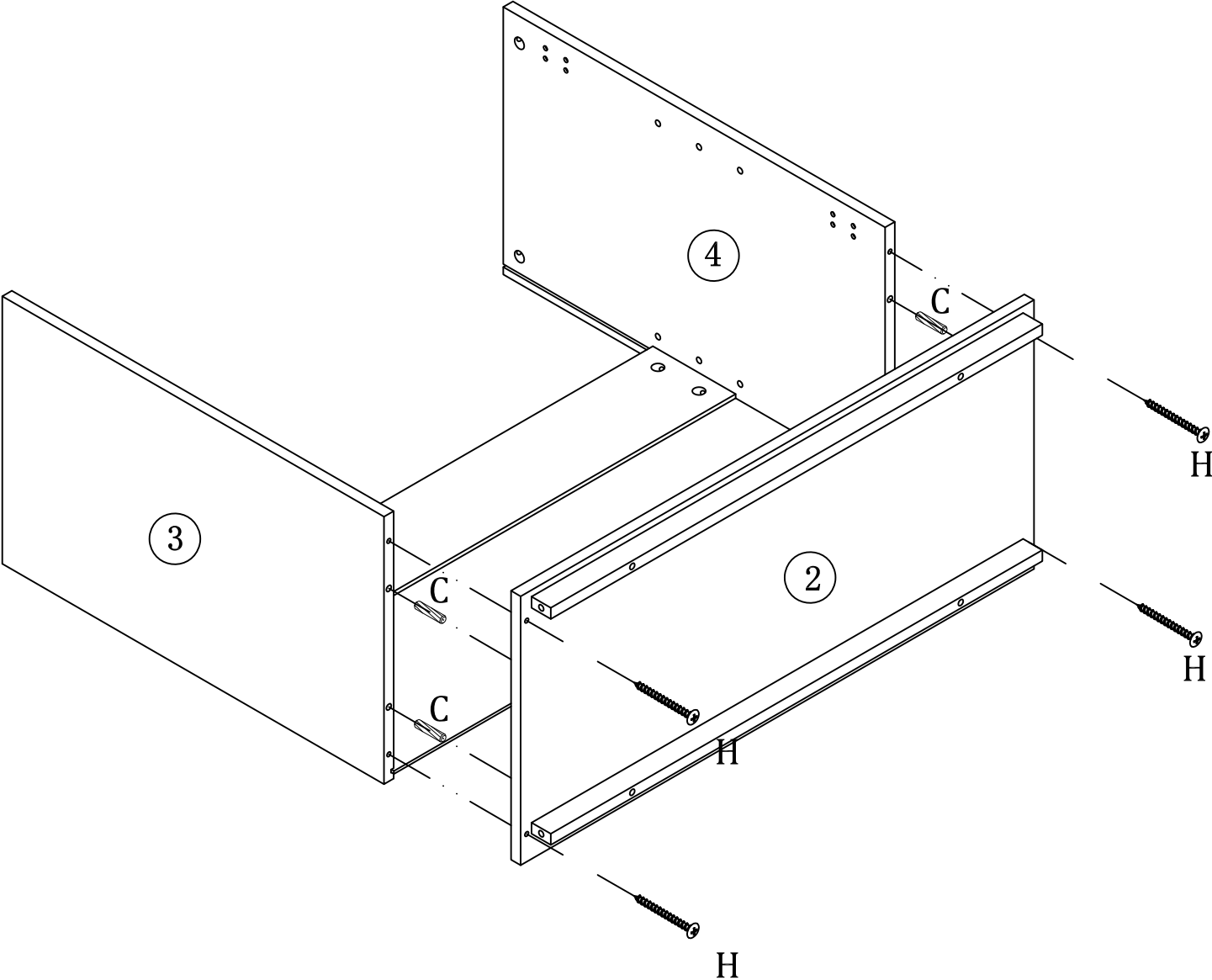


Attention: Reserve a 1-2mm gap when locking accessories in this step



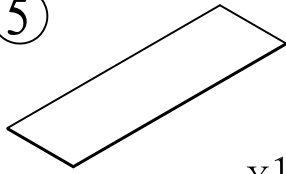
5^C  x4

H  x4

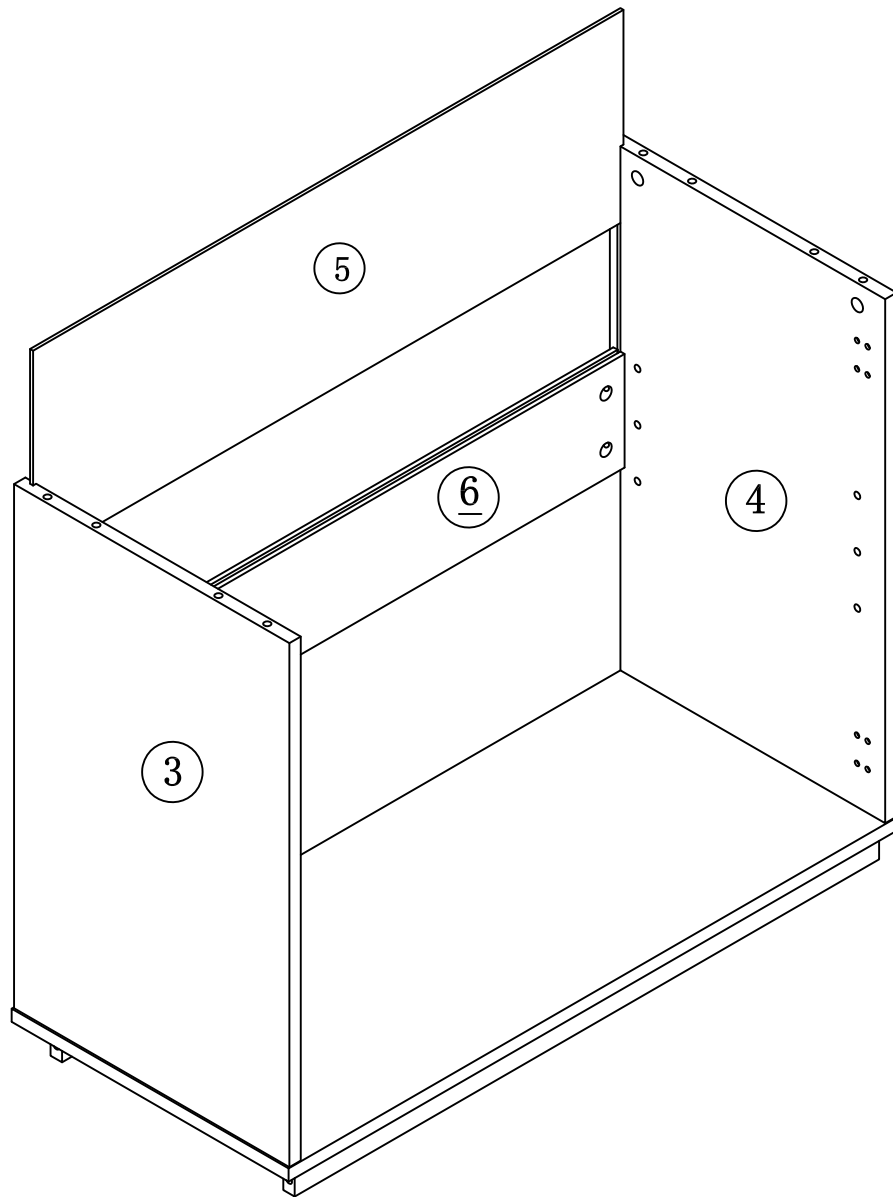


6

5

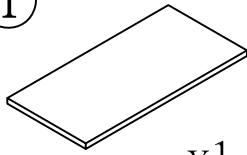


x1



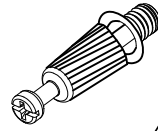
7

1



x1

B



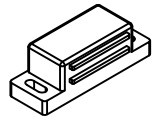
x4

F

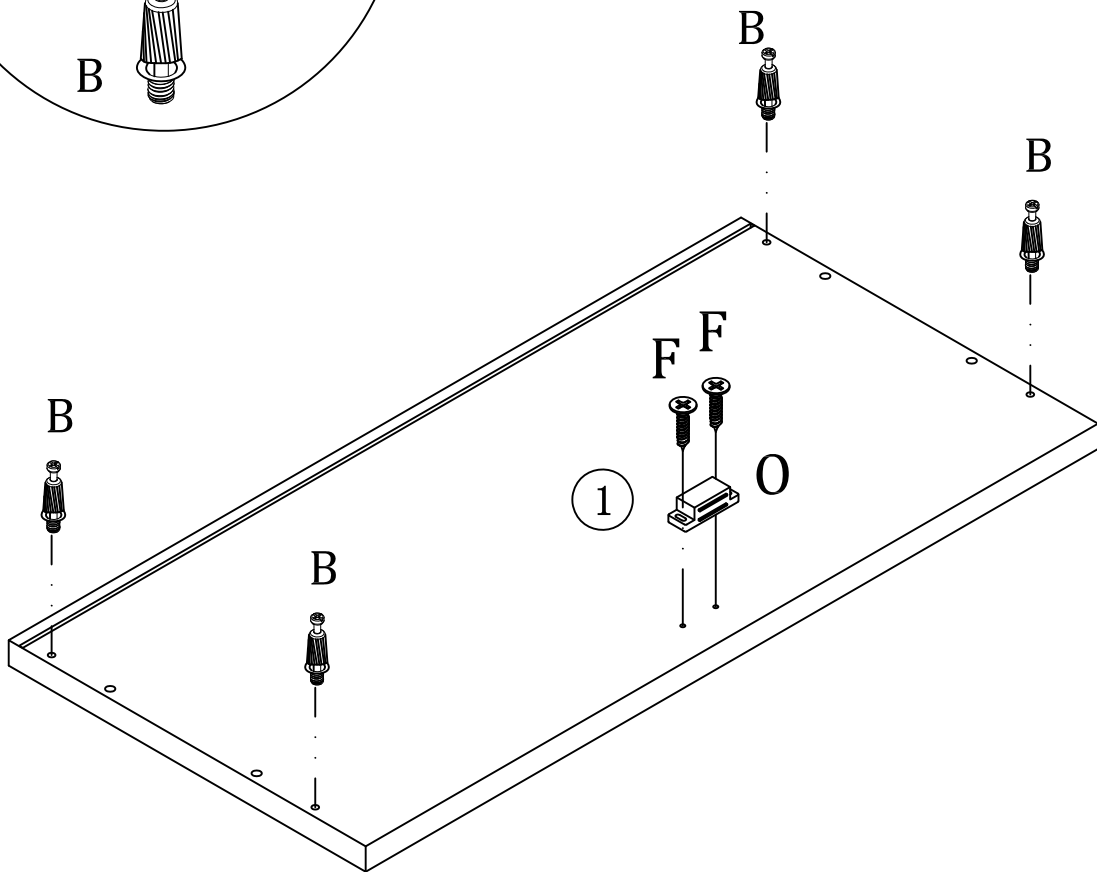
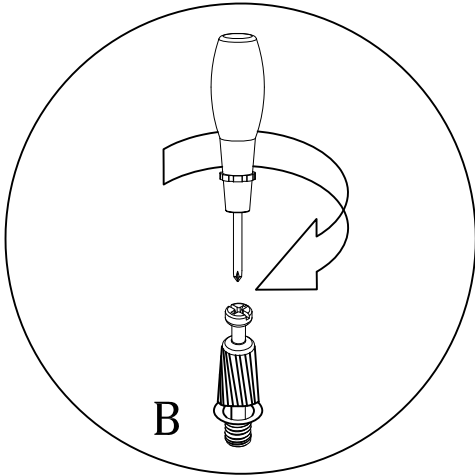


x2

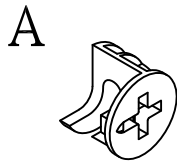
O



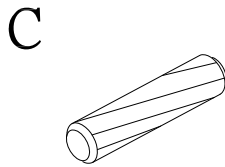
x1



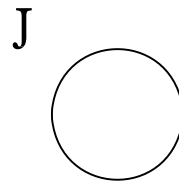
8



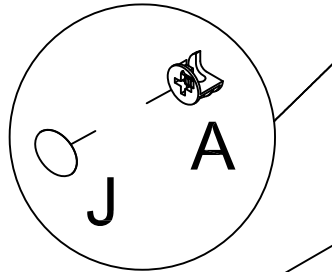
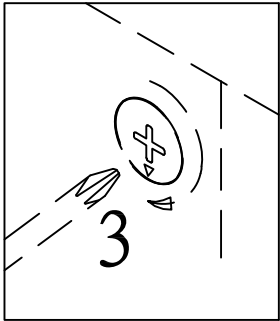
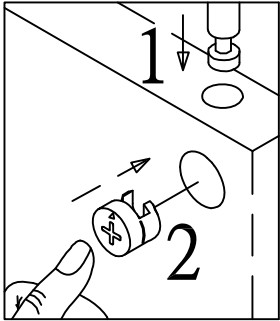
x4



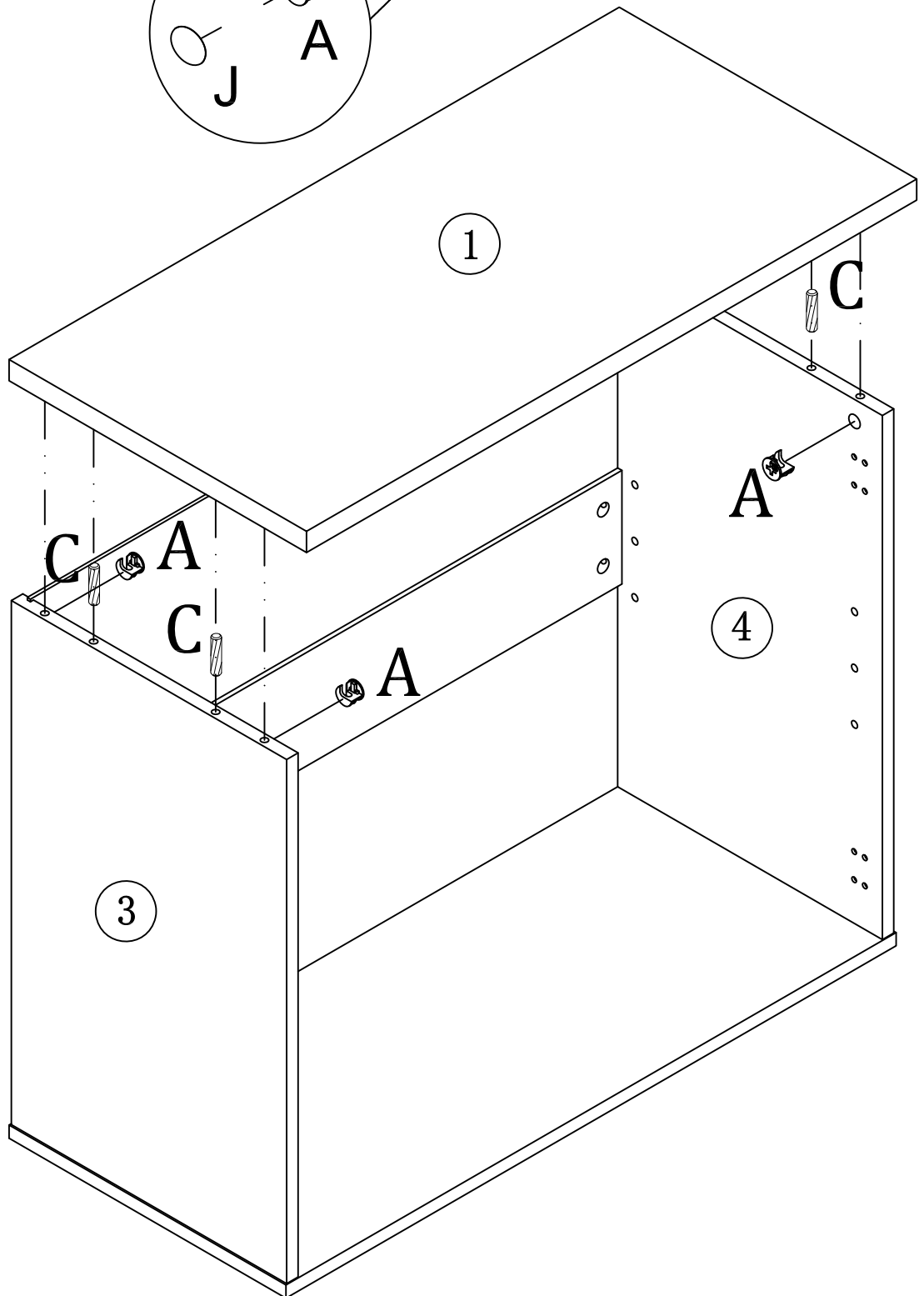
x4



x4

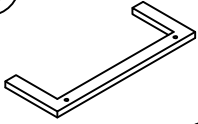


(A) After the eccentric wheel is locked on the plate, use (J) hole sticker to cover it



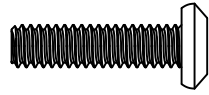
9

10



x2

G

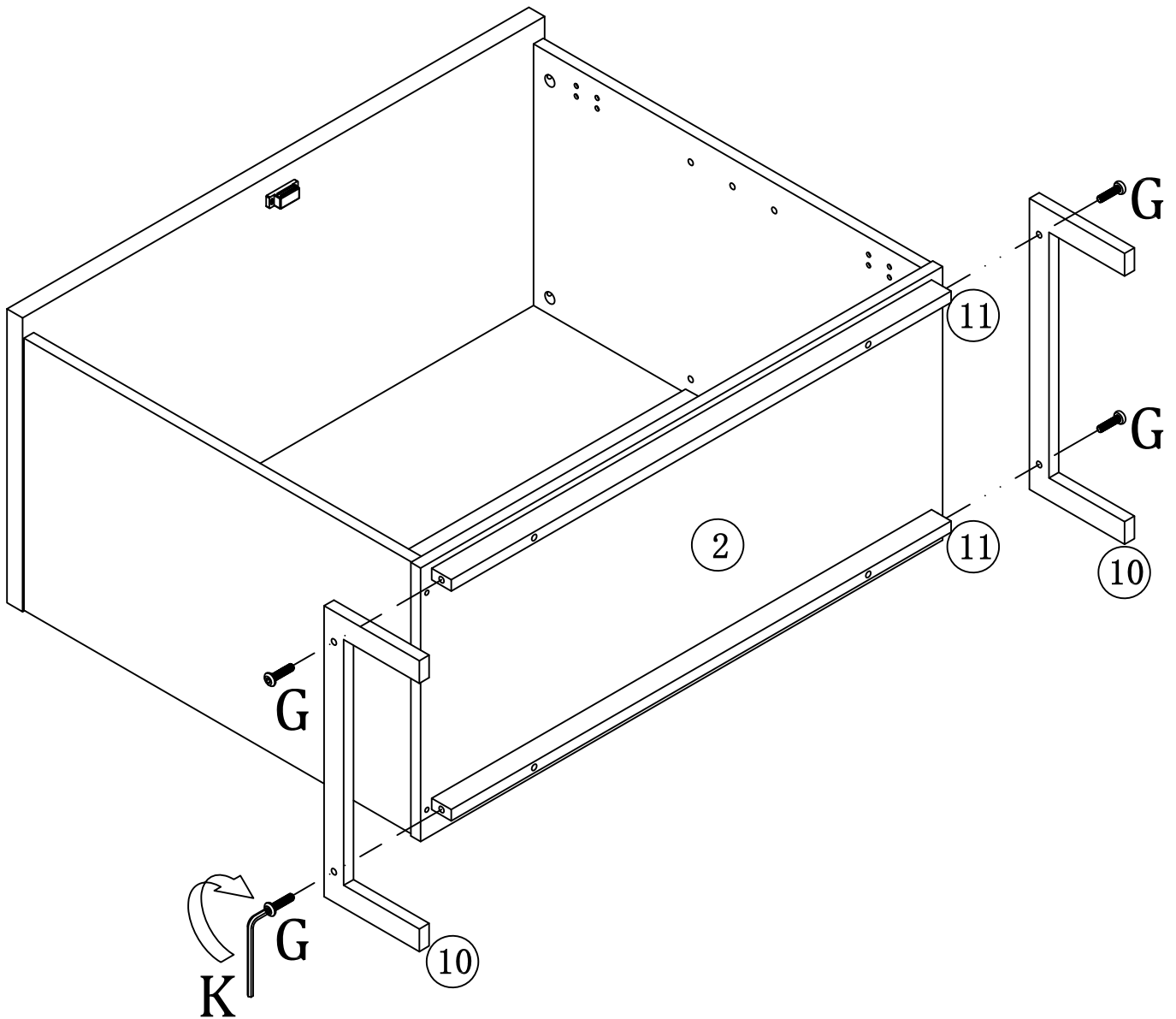


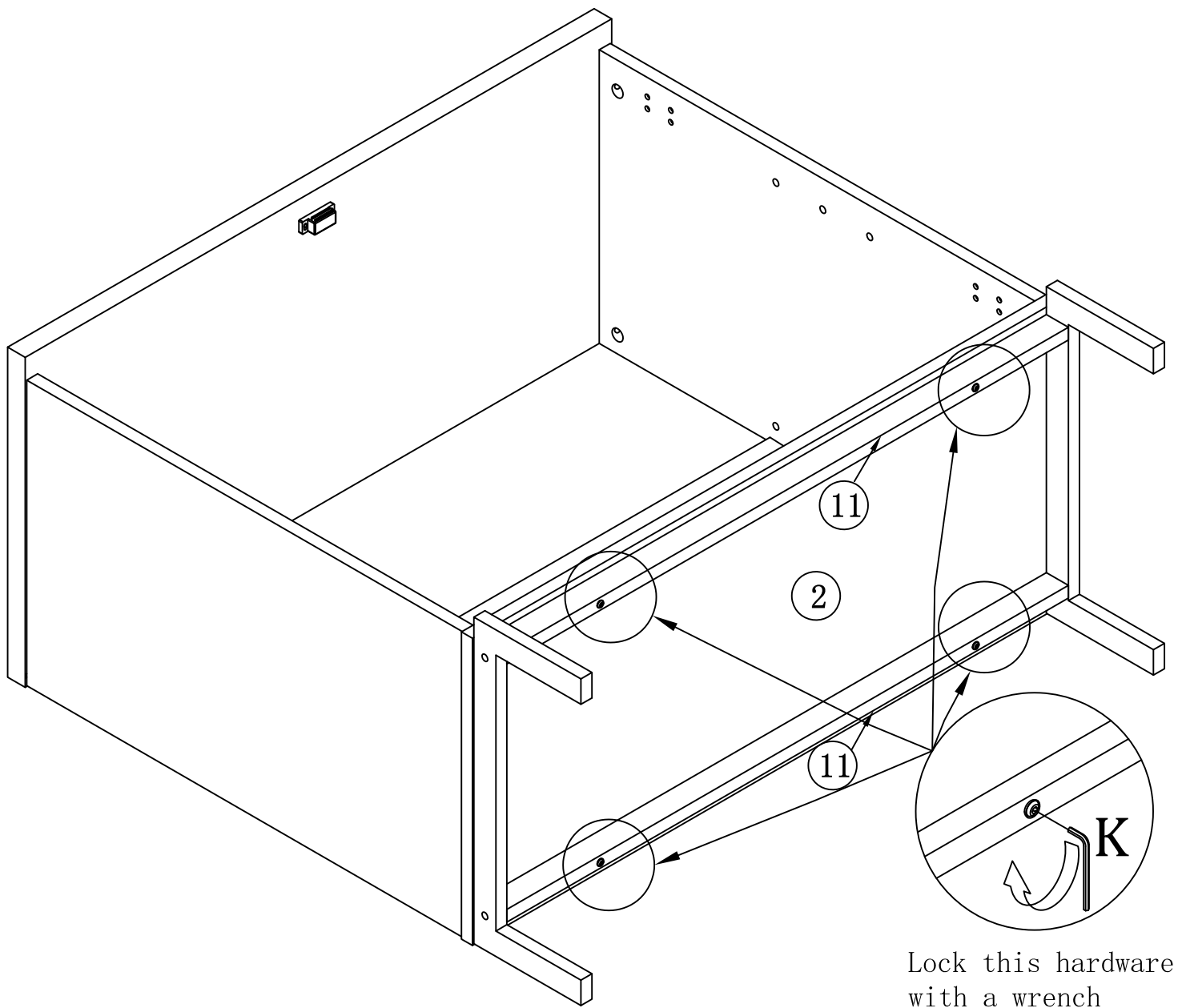
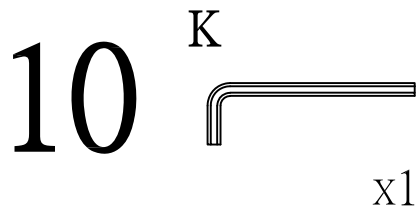
x4

K



x1



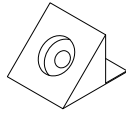


Lock this hardware with a wrench

11

E

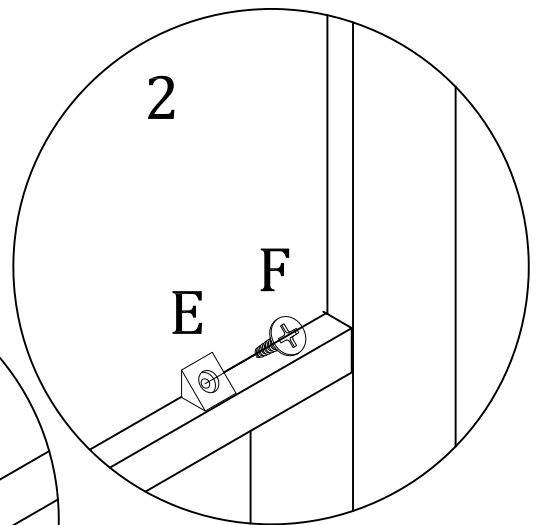
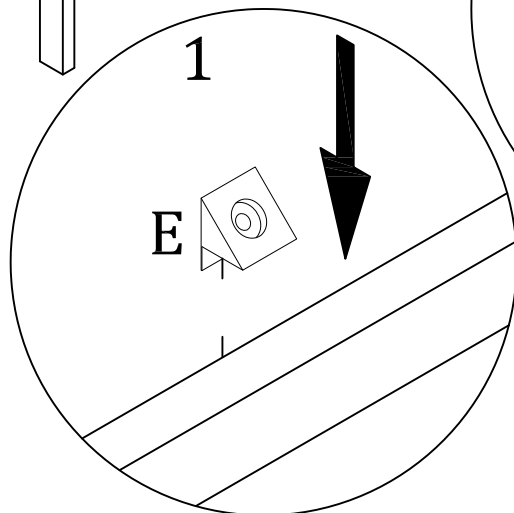
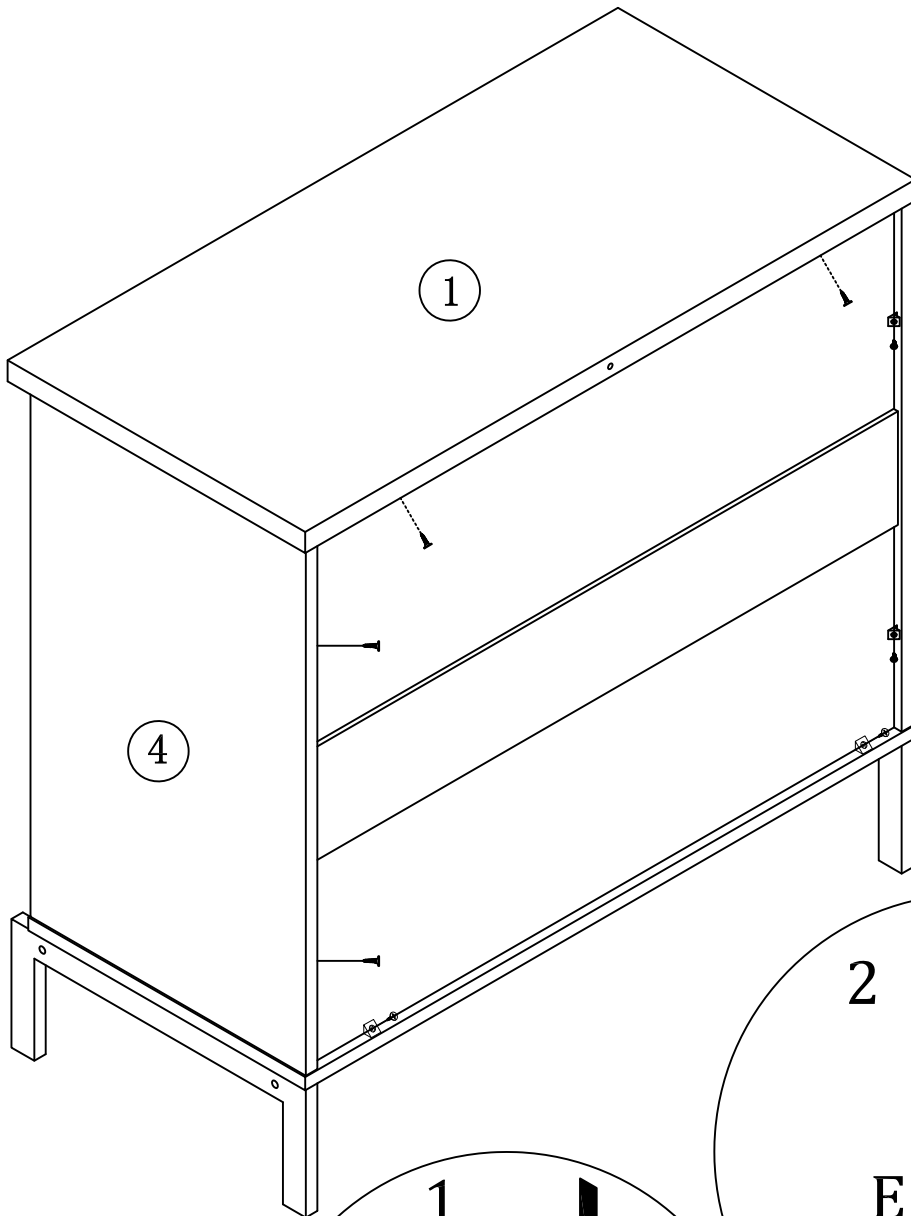
F



x8

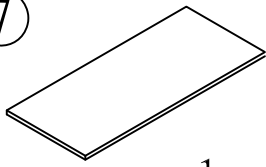


x8



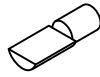
12

7

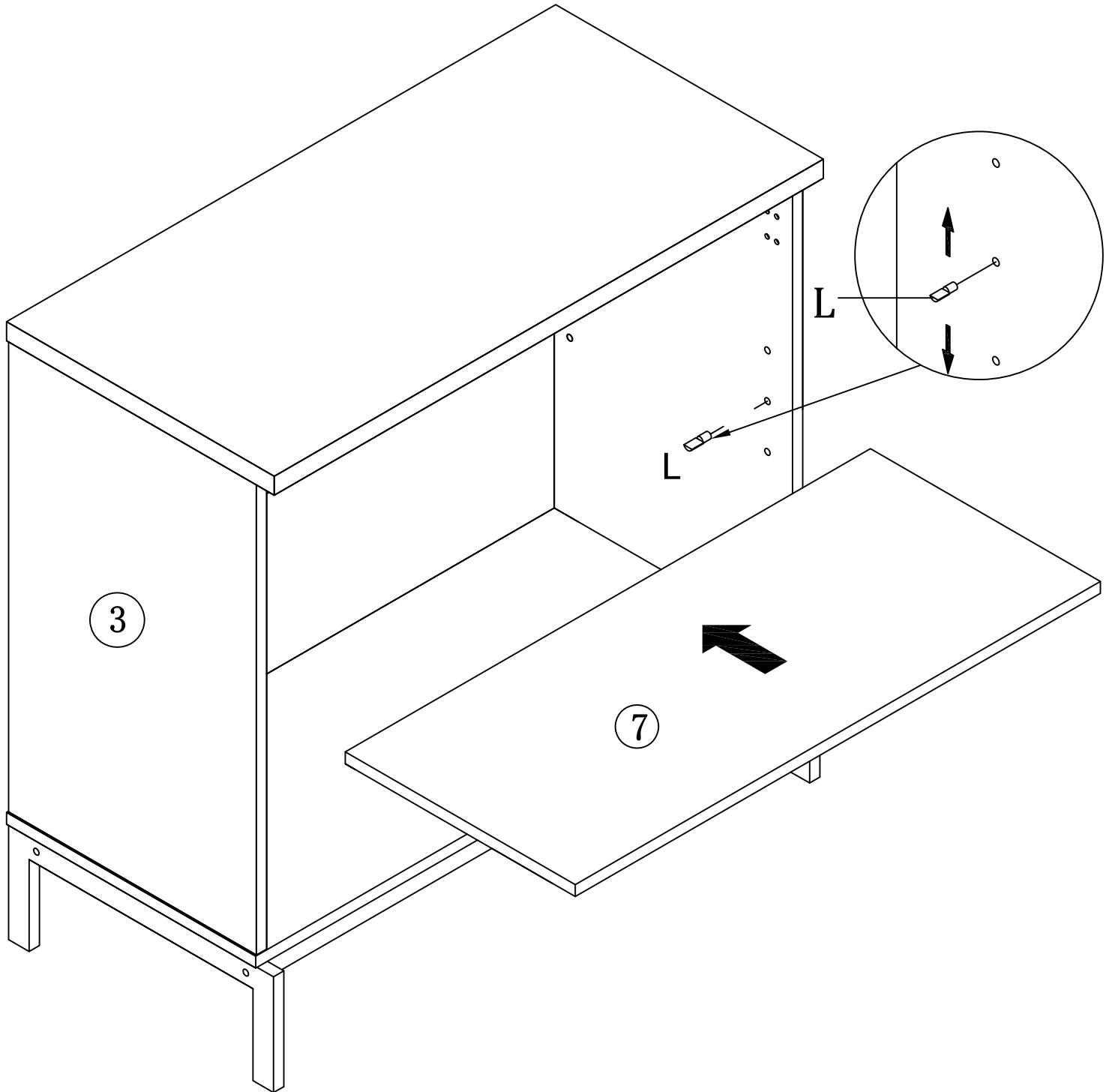


x1

L

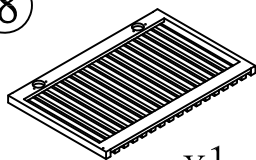


x4



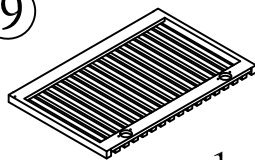
13

8



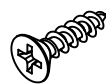
x1

9



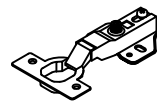
x1

D



x8

M



x4

P

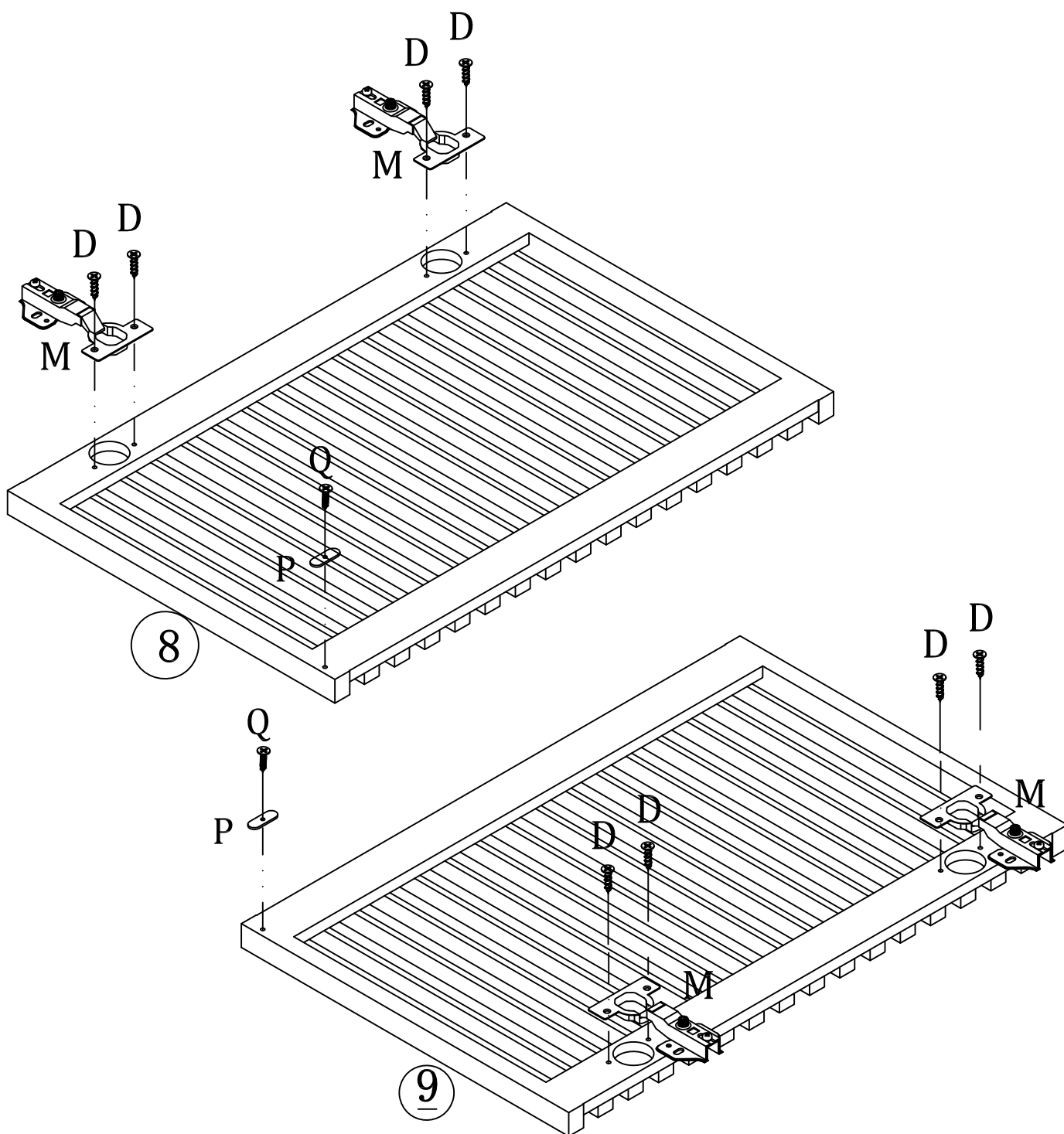


x2

Q

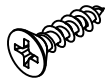


x2

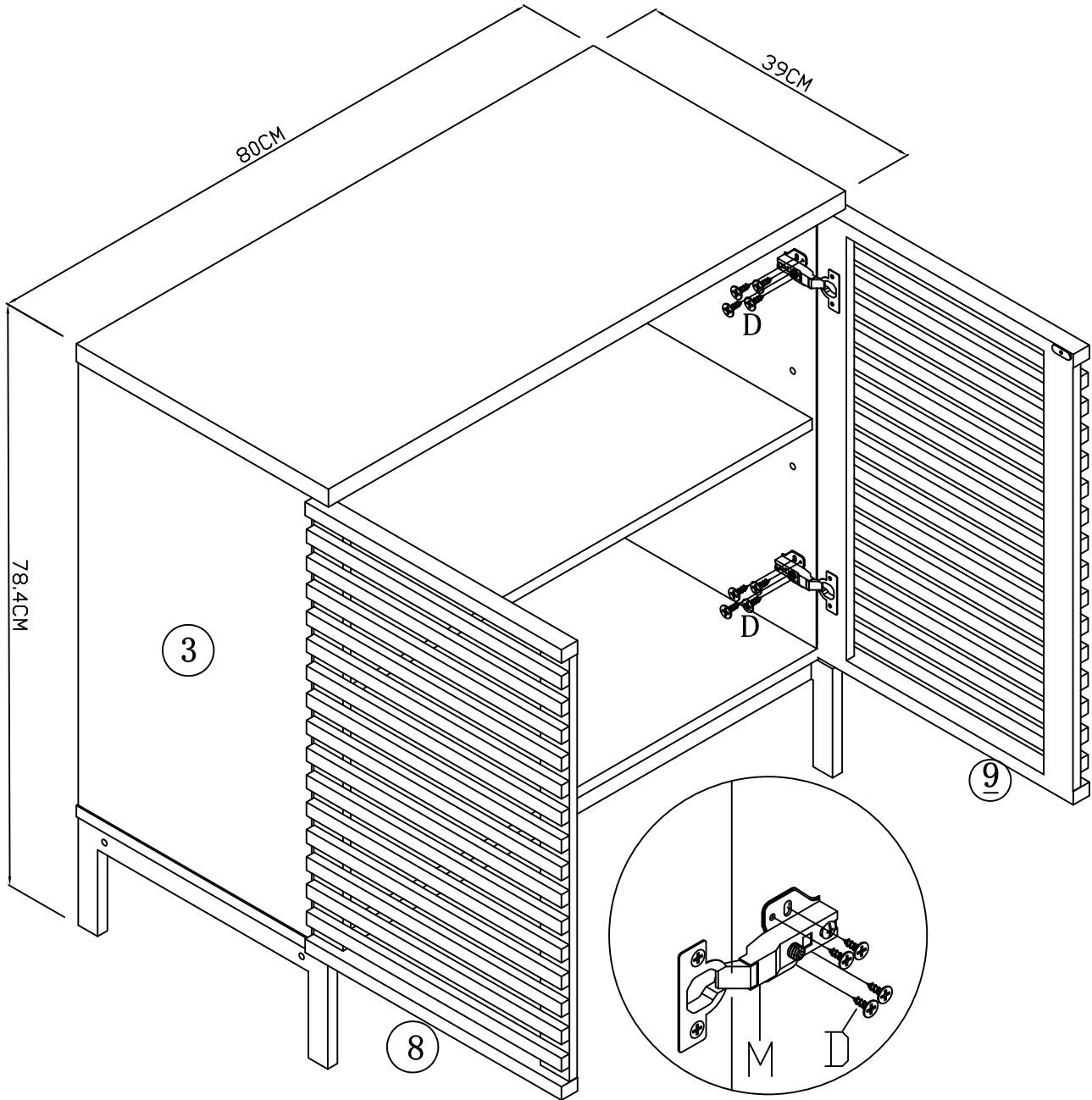


14

D



x16

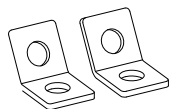


Adjusting the door

- .Before adjusting the hinge, please check whether the cabinet is skewed.
- . If the skew can not be repaired, please remove the anti-tipping device first, then adjust the cabinet to vertical position.
- .Please adjust the hinge with the door open.
- . Please operate it with more than 2 people, one person holds the door and the other one adjusts the screw.
- .Have trouble adjusting the door? Please check out our video on adjusting the door via our website or contact care@oakhamdesign.com !

15

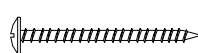
N



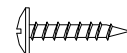
a



b



c



d

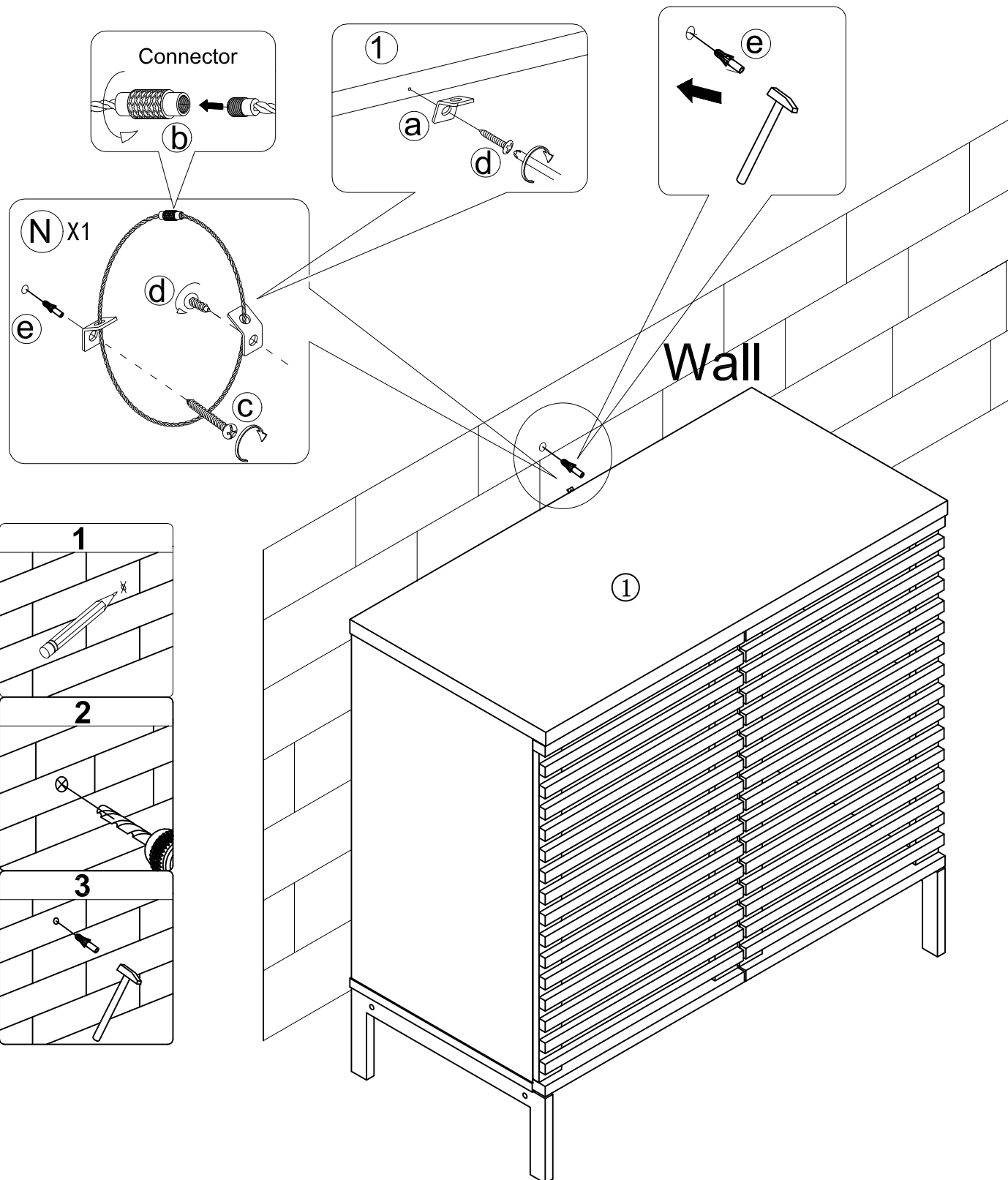


e

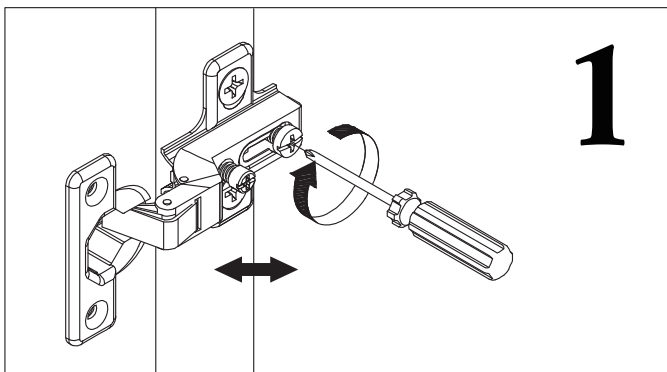
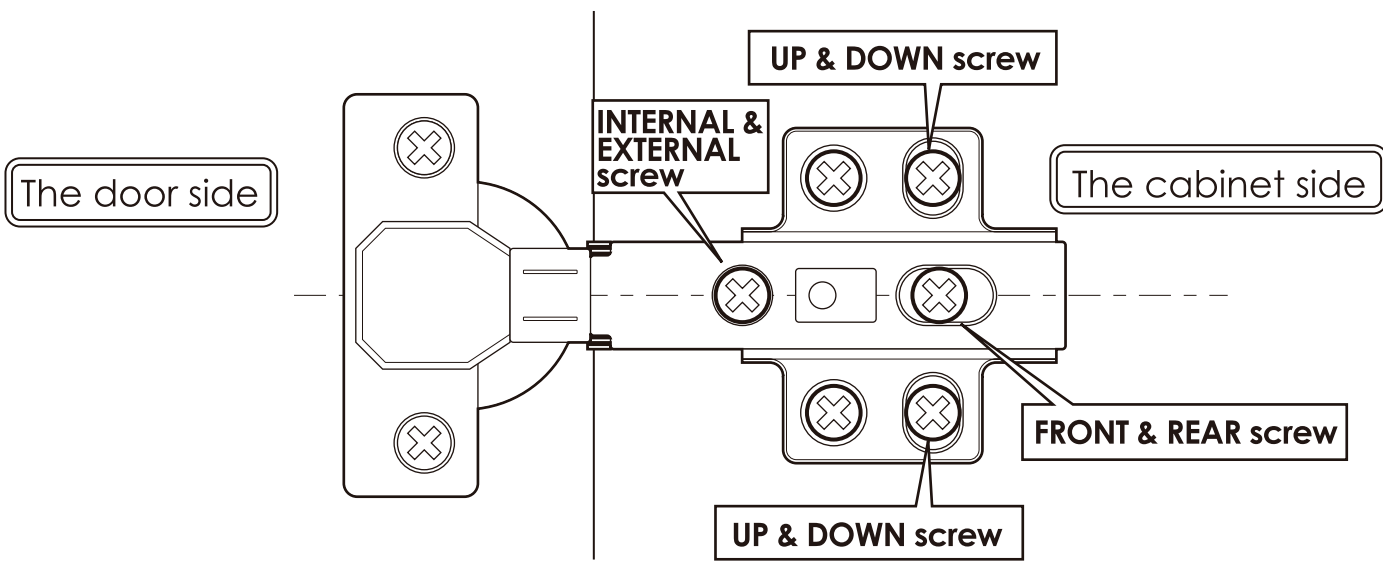
x1

WARNING

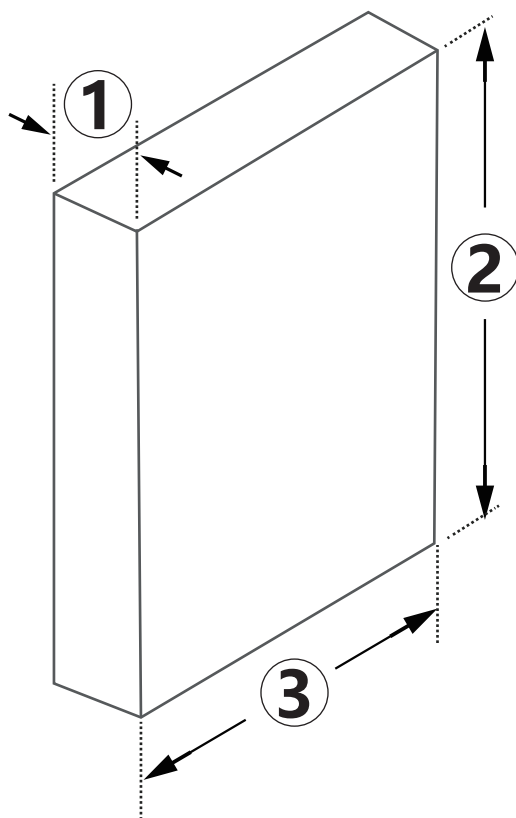
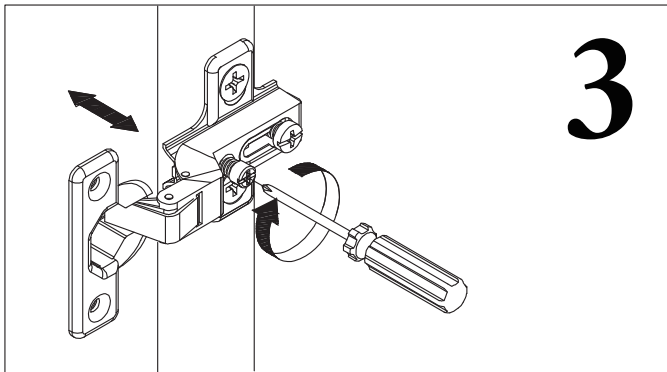
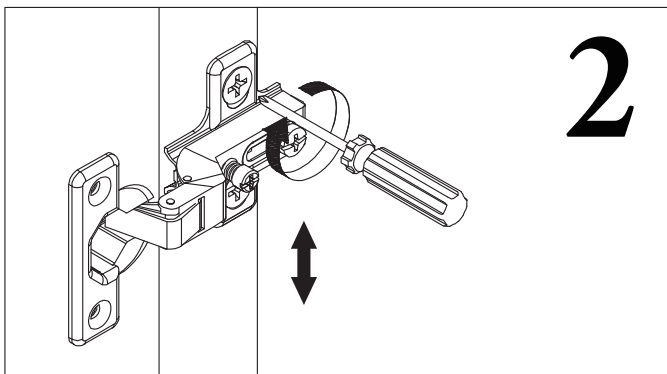
Serious or fatal injuries can occur from furniture tipping over. To prevent the furniture from tipping over we recommend that it is permanently fixed to the wall. Wall anchor and hardware are included with this product. Please make sure hardware is suitable for your walls before installing, as different wall materials may require different types of anchors.



Components Name



Doors may need to be adjusted after the initial shipping of the cabinet . The cabinet doors have a three-way adjustment fea-ture. Height, side to side, level and depth can be adjusted. With the hinge slightly closed you can access the middle screw for up / down adjustment . With the hinge fully extended you can access the front and back screws. These screws will move the door side to side and in and out.



Warranty Information

Thank you for purchasing our furniture. We are committed to delivering high-quality furniture that meets your expectations. This product comes with a 1-year limited warranty covering defects in materials and workmanship under normal use from the date of purchase.

Warranty Coverage

Structural damage or defects in the wood panels.

Malfunction of hardware components such as hinges or screws.

Any damage caused during transit that affects product functionality.

Exclusions

Damage caused by improper assembly or modifications.

Issues caused by external factors such as moisture or extreme temperatures.

In case of any warranty claims, please contact our customer service team with your proof of purchase and a detailed description of the issue.

Quality Assurance (QA) & Common After-Sales Issues

We take pride in our rigorous quality assurance process to ensure every piece of furniture meets high standards. However, we understand that issues may arise. Below are some of the common after-sales concerns and their potential solutions:

Gaps Between Panels

If there are visible gaps between the panels, please check the assembly process to ensure all parts are securely fastened. If the issue persists, contact our customer service for assistance.

Misaligned Doors

In case the doors are not aligned properly, adjustments to the hinges may be needed. Instructions for adjusting the hinges are included in the manual. If adjustments do not resolve the issue, please contact us.

Shipping Damage

If your furniture arrives with any damage from shipping, such as dents or scratches, please report the damage immediately. We will arrange for a replacement or repair.

Incorrect Hole Alignment

If any holes for assembly are misaligned, please refrain from forcing the components together. Contact our customer service for troubleshooting or part replacement.