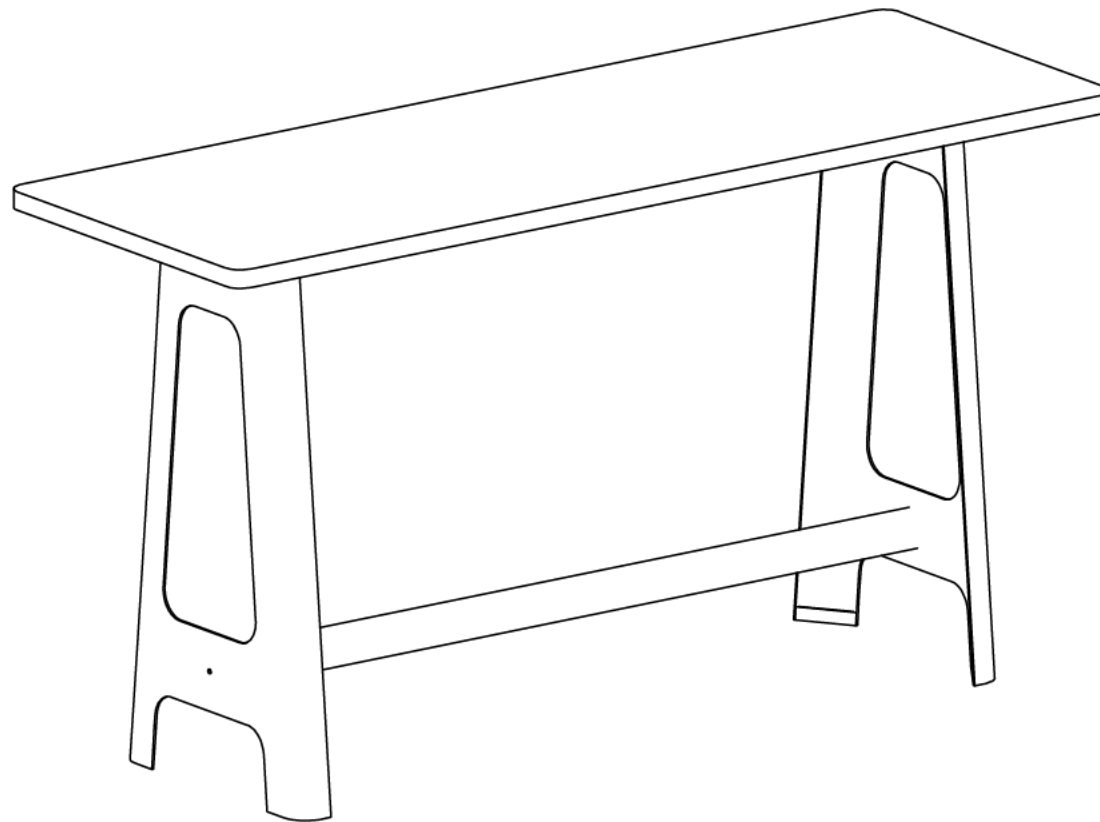


# **ASSEMBLY INSTRUCTIONS.**





CRAFTSMAN BAR TABLE









THANK YOU FOR YOUR PURCHASE!

# PARTS AND HARDWARE.

## PARTS LIST

NO.	DESCRIPTION	IMAGE	QTY
1.	Wooden Top		01
2.	Metal Base		02
3.	Metal Mounting Plate		01
4.	Metal foot rail		01

## HARDWARE LIST

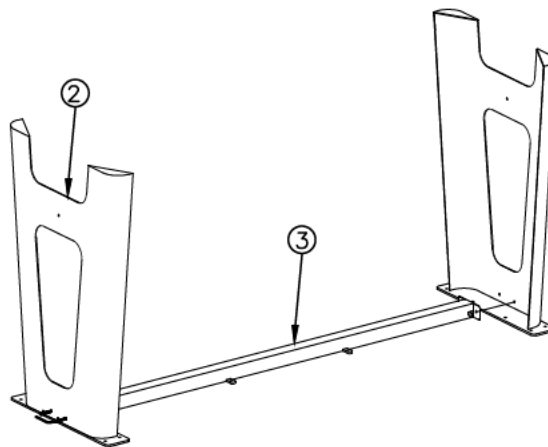
NO.	DESCRIPTION	IMAGE	QTY
5.	Allen Bolt(Big)		06
6.	Allen Bolt(Small)		16
7.	Washer		16
8.	Allen key		01
9.	Nut		04
10.	Spanner		01

## NOTES.

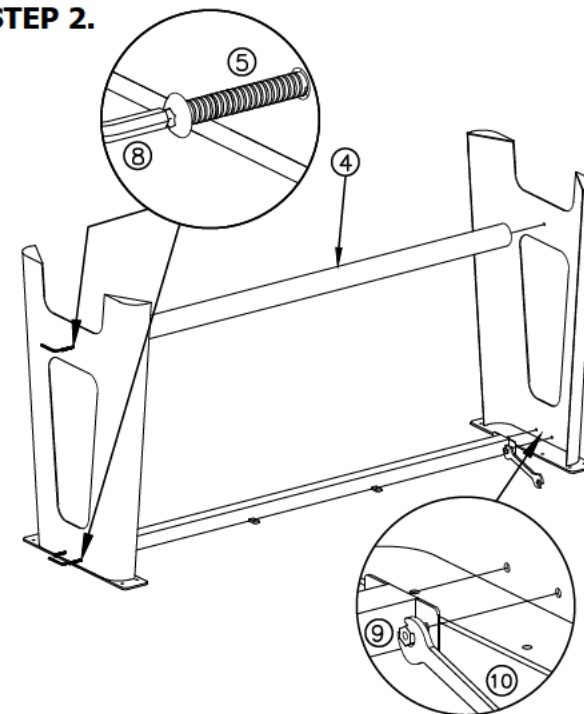
Thank you for purchasing this quality product! Be sure to check all packing material carefully for small part that may have come loose inside the carton during shipping.

**CAUTION:** The item is heavy, assembly should be performed by two people.

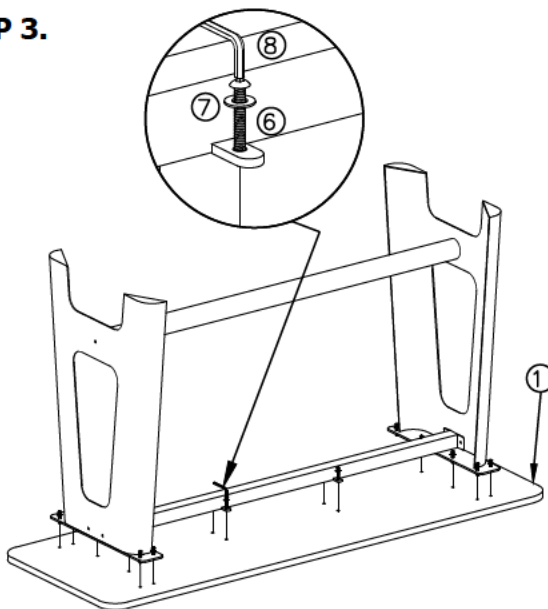
## STEP 1.



## STEP 2.



## STEP 3.



## STEP 4.

