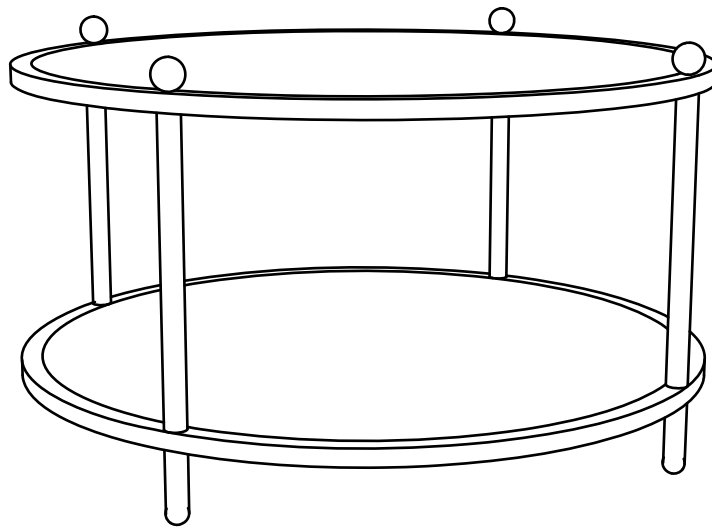


2 TIER ROUND GLASS COFFEE TABLE



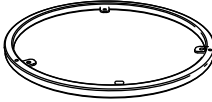


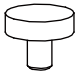
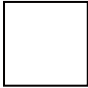


THANK YOU FOR YOUR ORDER!
ENCLOSED PLEASE FIND A POLISHING CLOTH FOR YOUR USE TO CLEAN THE RESIDUE
FROM THE FINE OIL USED IN PRODUCTION OF THIS CHROME PRODUCT.
PLEASE ALSO CALL US IF YOU HAVE ANY QUESTIONS

ASSEMBLY INSTRUCTIONS

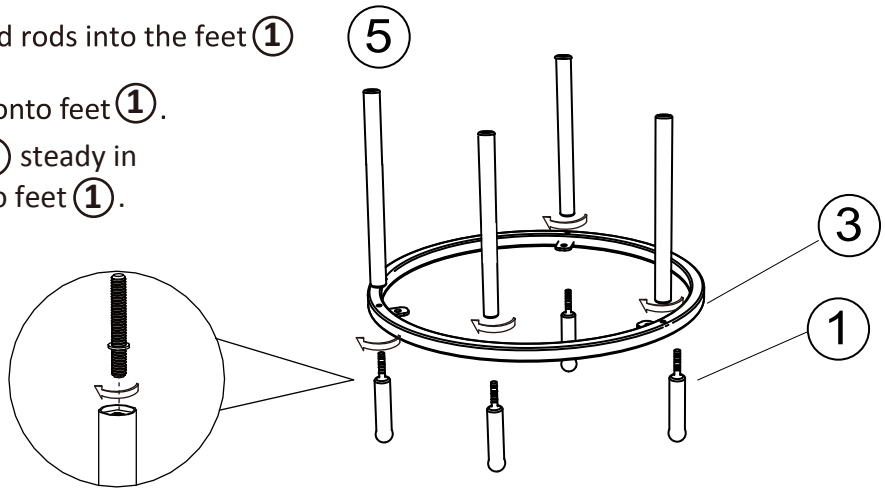
We have designed our furniture with you , the customer in mind . Our clear , easy to follow ,
step by step instructions will guide you through the project from start to finish .
Feel confident that this will be a fun and rewarding project . The final product will be a quality
piece of furniture that will go together smoothly and give years of enjoyment .

Hardware List

① 	② 	③ 	④ 
FOOT (4PCS)	BALL END (4PCS)	FRAME (2PCS)	GLASS PANEL (2PCS)
⑤ 	A 	B 	
POLE (4PCS)	NON-SLIP DISK (8PCS)	POLISHING CLOTH (1PC)	

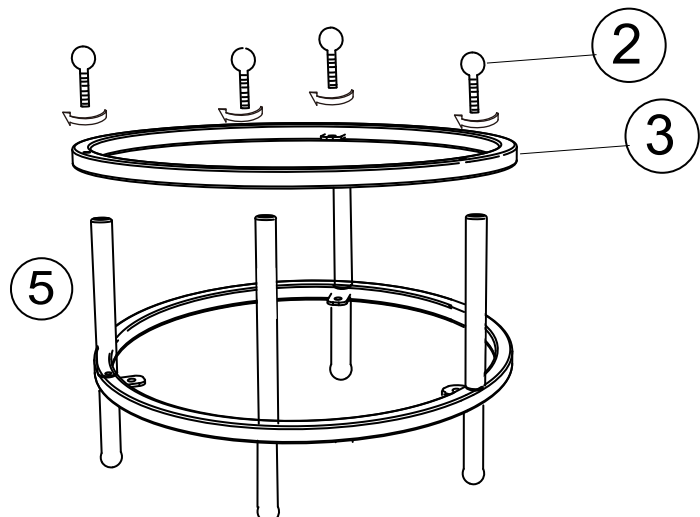
Step 1

1. Fully tighten the threaded rods into the feet ① (As shown in blowup).
2. Place bottom frame ③ onto feet ①.
3. While holding the feet ① steady in place screw poles ⑤ into feet ①.



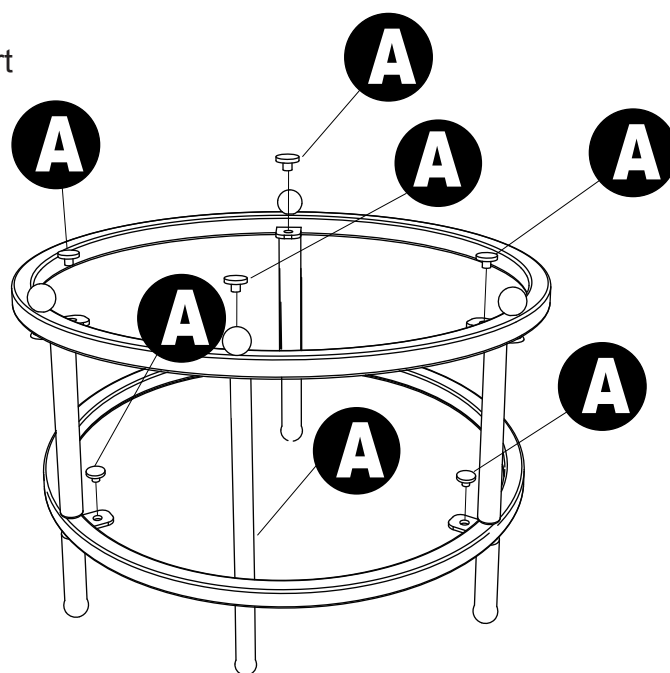
Step 2

1. Place final frame ③ onto unit and while holding tubes ⑤ steady in place screw ball ends ② into tubes ⑤.



Step 2

1. Place non-slip disks **A** into assembly as shown to support glass shelf.



Step 3

1. Retighten all poles, legs, feet, and ball ends if needed .
2. Using a slight angle, carefully insert glass panels **4** into unit.
3. Enjoy.

