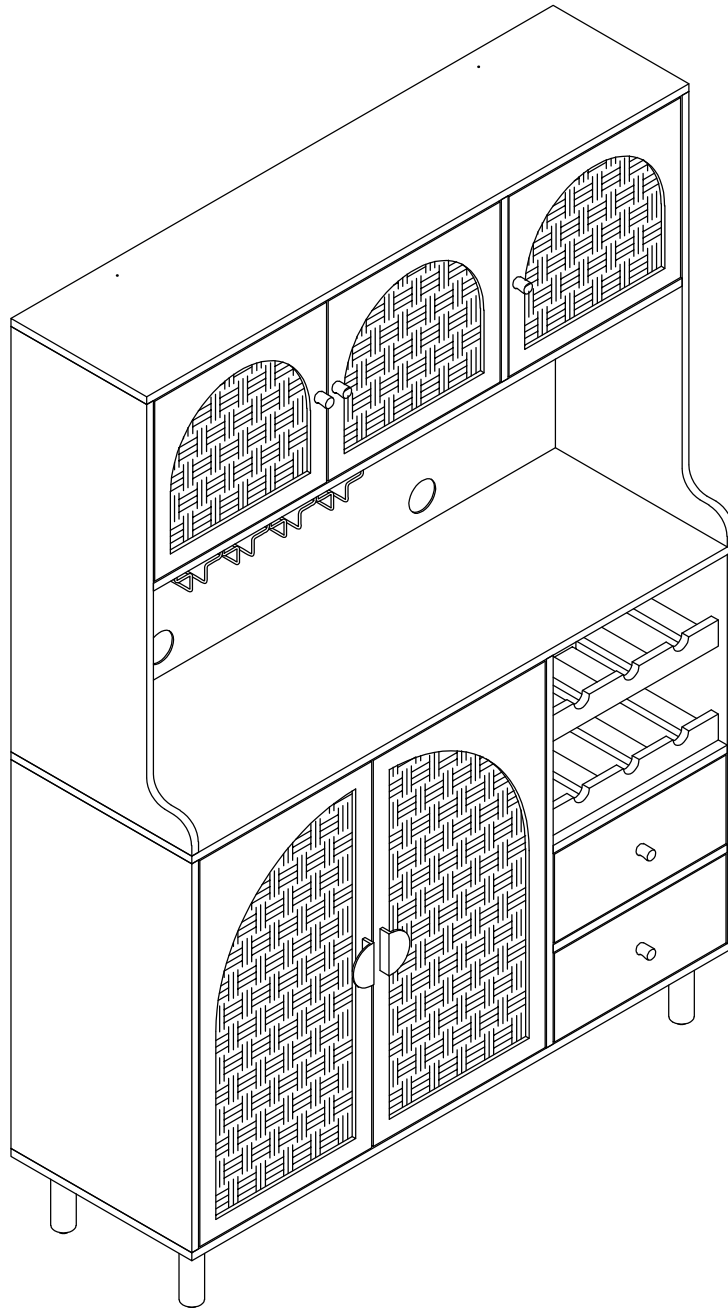


Installation Instruction



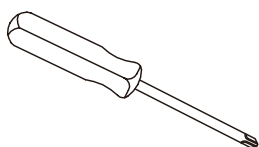
Product name

Multi-door Cabinet

Assembling

What you need

- Use the packaging carton as a working surface to prevent product damage during assembly
- Phillips head screwdriver



Weight Limitation



40 | **11**
lbs table top | lbs per drawer

22 | **5**
lbs per shelf | lbs metal bracket

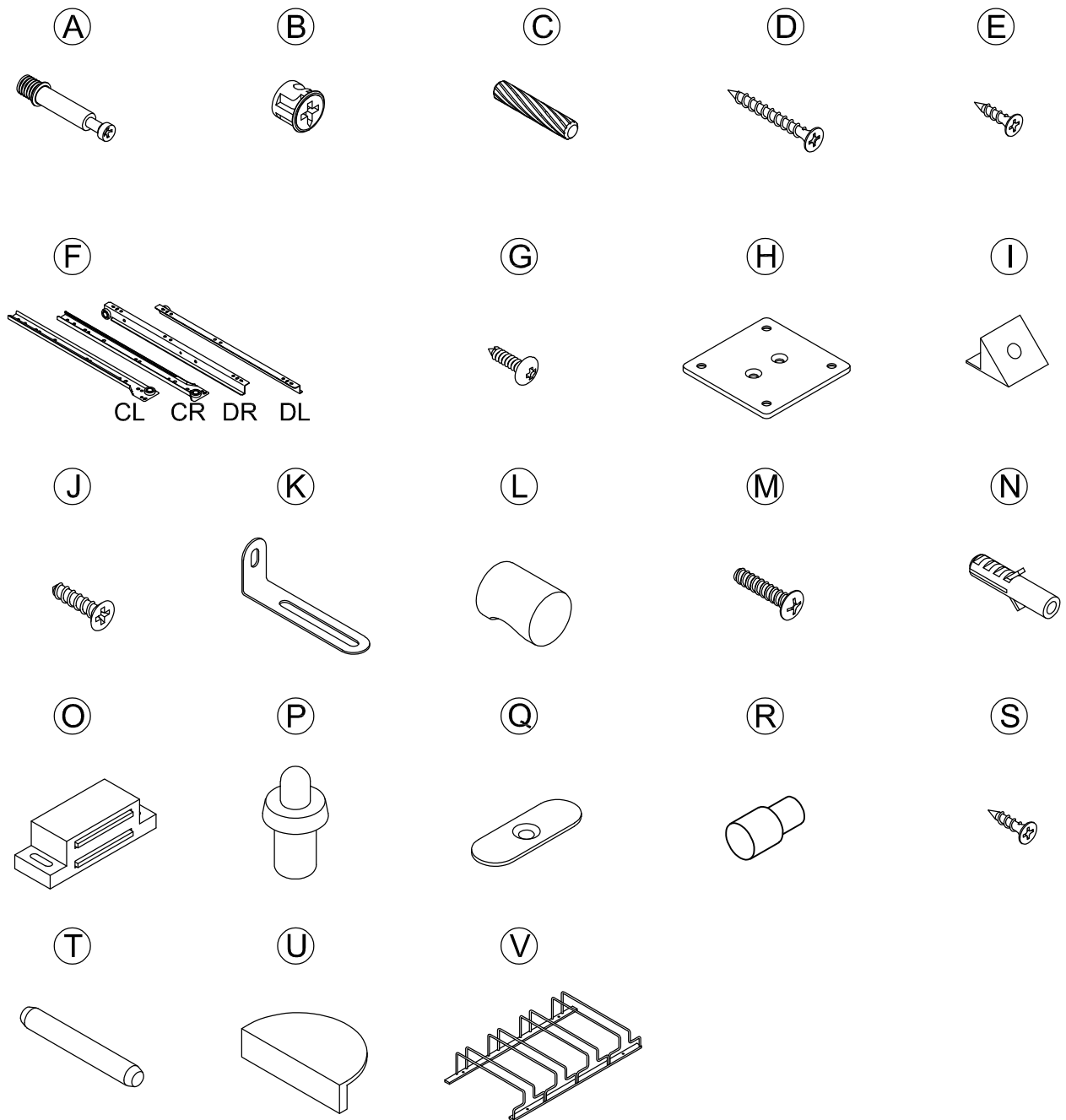


2 PERSONS

What's included

Code	Description	Qty
A	Cam Bolt M6X35MM	37
B	Cam Lock 15X10MM	37
C	Wooden Dowel M8X30MM	44
D	Screw M4X35MM	32
E	Screw M3.5 X12MM	24
F	Slide Sets	2
G	Screw M4X14MM	26
H	Metal Pin	5
I	Plastic Corner Support	22
J	Screw M3X16MM	30
K	Metal Plate	2
L	Small Handle	5
M	Bolt M4X18MM	9
N	Anchor M6×30mm	2
O	Magnetic Door Catcher	4
P	Metal Pin	10
Q	Door Metal Plate	7
R	Metal Support	4
S	Screw M3X12MM	7
T	Wooden Dowel M8X50MM	4
U	Big Handle	2
V	Metal Bracket	1

The Hardwares



IMPORTANT:

1. Do not tighten bolts / screws completely until all bolts / screws are lined up and inserted into holes.
2. Do not over tighten screws and bolts to avoid stripping.
3. Please use hand tools to assemble this product. Do not use power tools.
4. Must need 2 people to assemble this product.

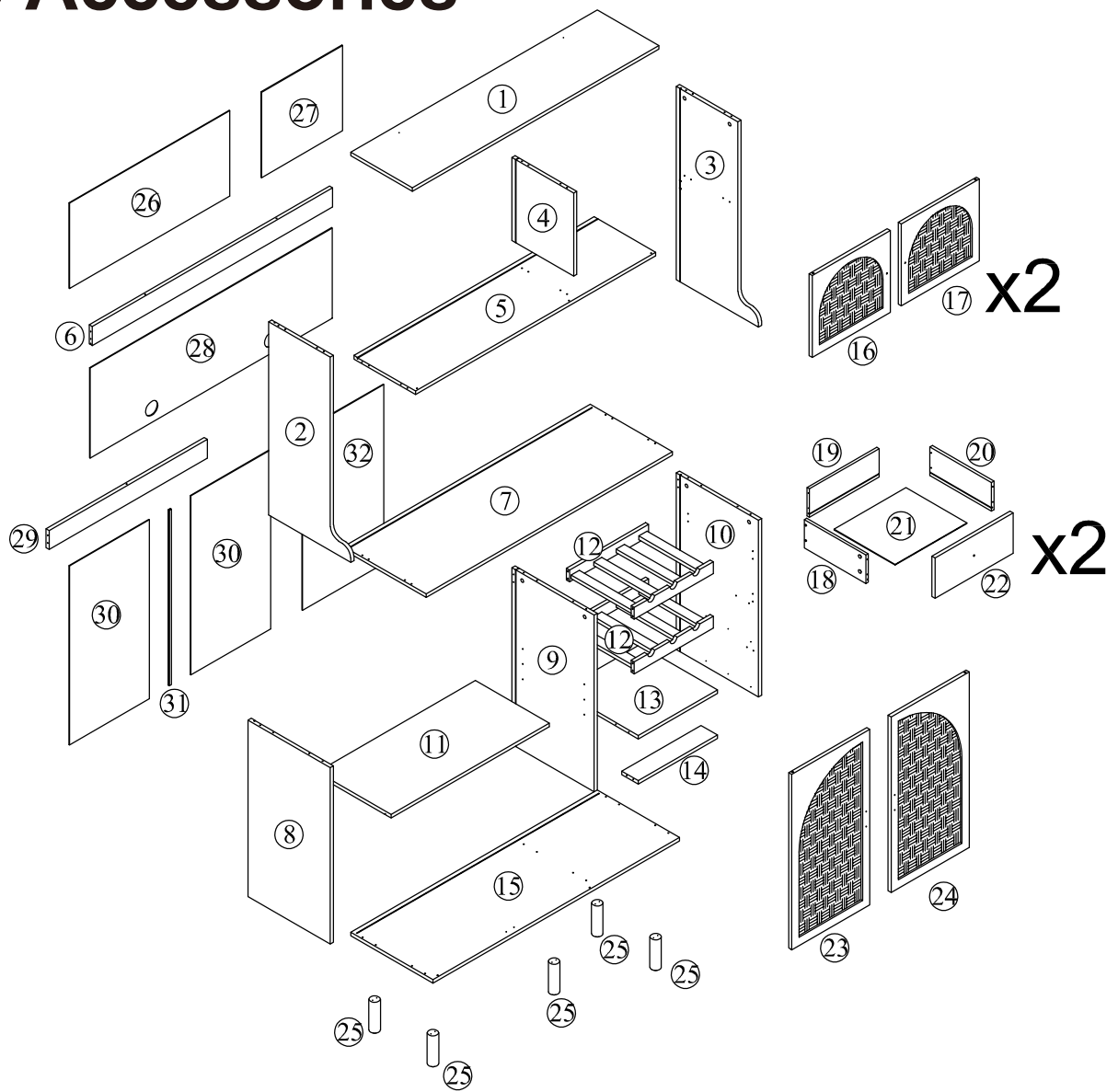


2 PERSONS

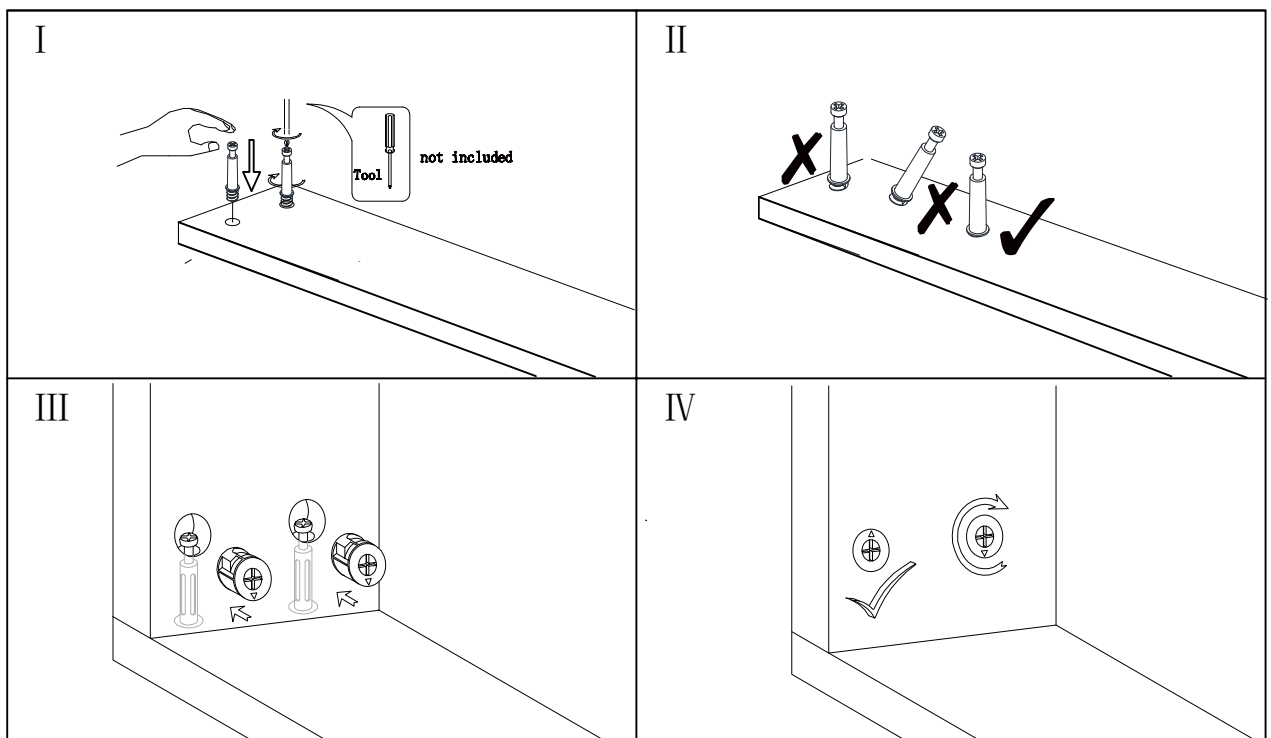
Included Accessories

Code	Description	Qty
1	Cabinet Top	1
2	Upper Left Side Panel	1
3	Upper Right Side Panel	1
4	Upper Middle Division Panel	1
5	Upper Bottom Panel	1
6	Upper Back Stretcher	1
7	Lower Top Panel	1
8	Lower Left Side Panel	1
9	Lower Middle Division Panel	1
10	Lower Right Side Panel	1
11	Lower Left Shelf	1
12	Bracket	2
13	Lower Right Shelf	1
14	Lower Right Support Panel	1
15	Bottom Panel	1
16	Upper Small Left Door	1
17	Upper Small Right Door	2
18	Drawer Left Side Panel	2
19	Drawer Back Panel	2
20	Drawer Right Side Panel	2
21	Drawer Bottom Panel	2
22	Drawer Front Panel	2
23	Lower Big Left Door	1
24	Lower Big Right Door	1
25	Feet	5
26	Upper Left Back Panel	1
27	Upper Right Back Panel	1
28	Middle Back Panel	1
29	Middle Back Stretcher	1
30	Lower Left and Middle Back Panel	2
31	Lower Plastic Strip	1
32	Lower Right Back Panel	1

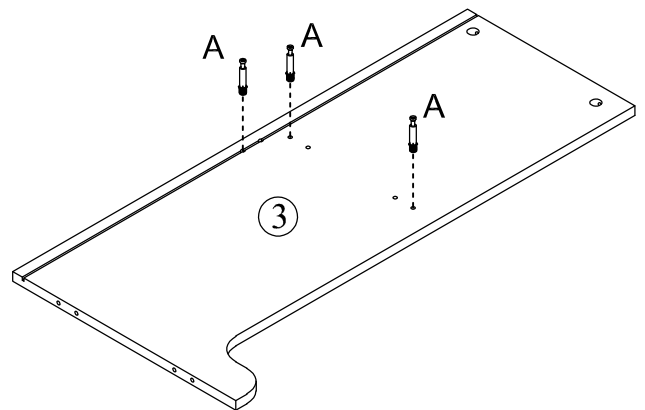
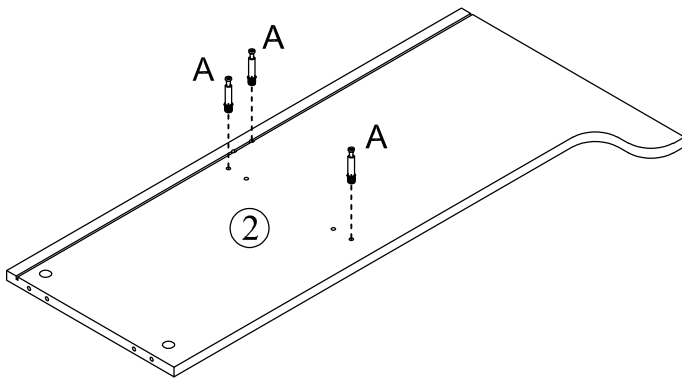
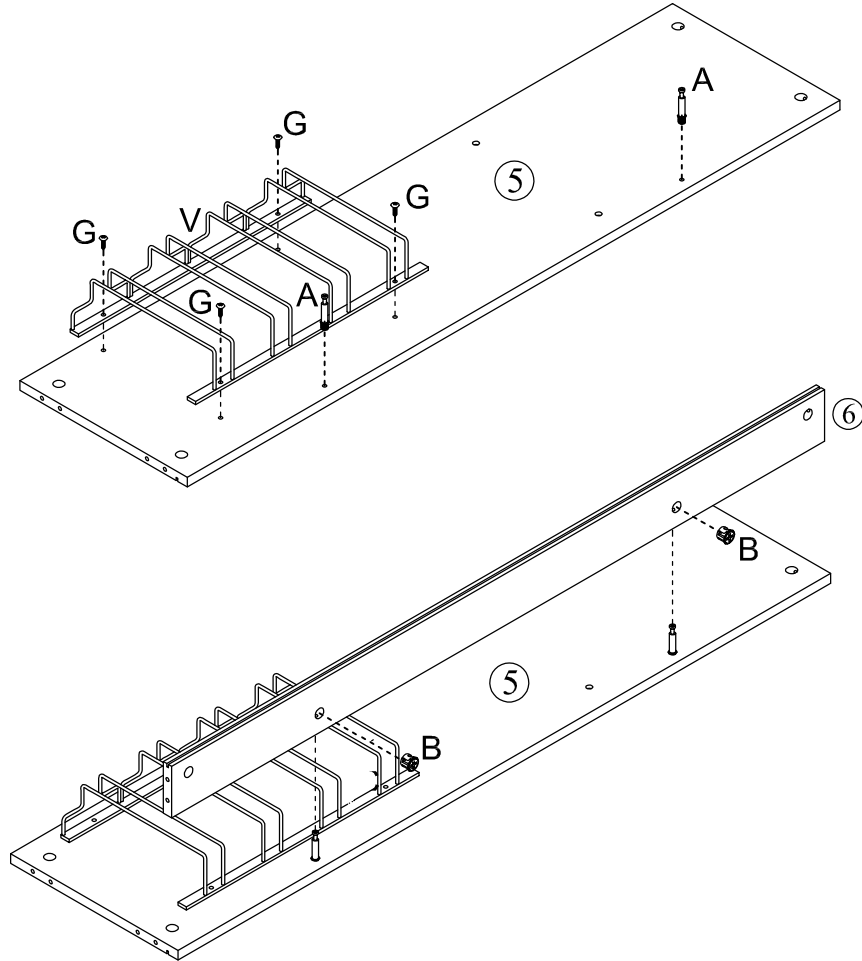
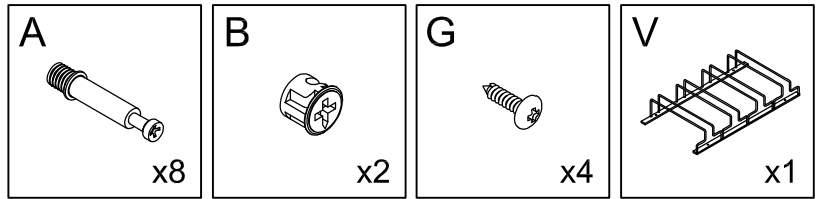
The Accessories



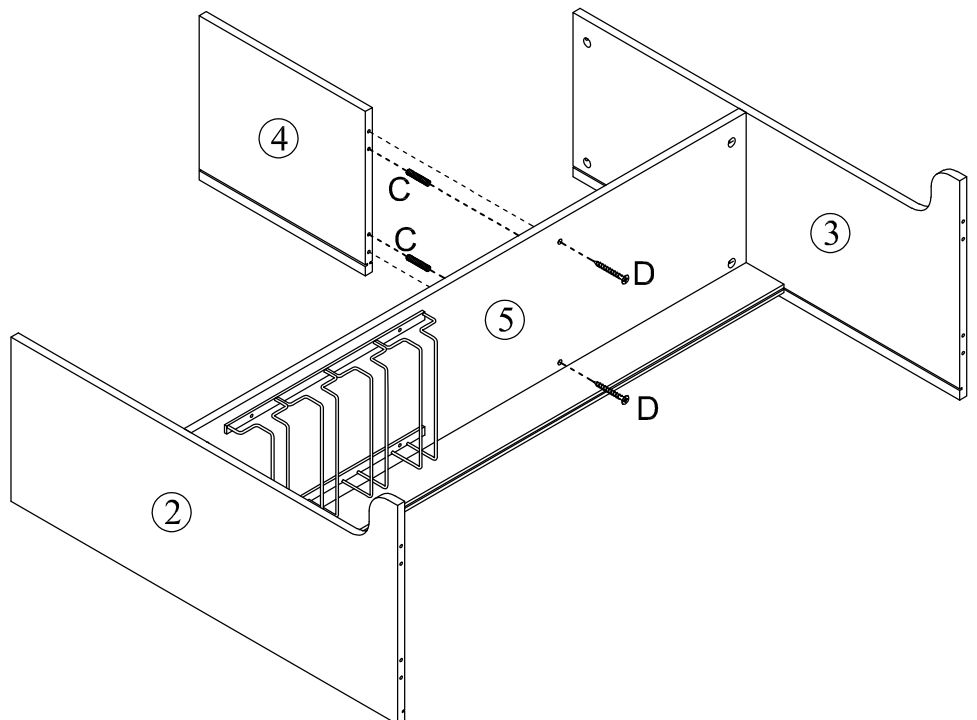
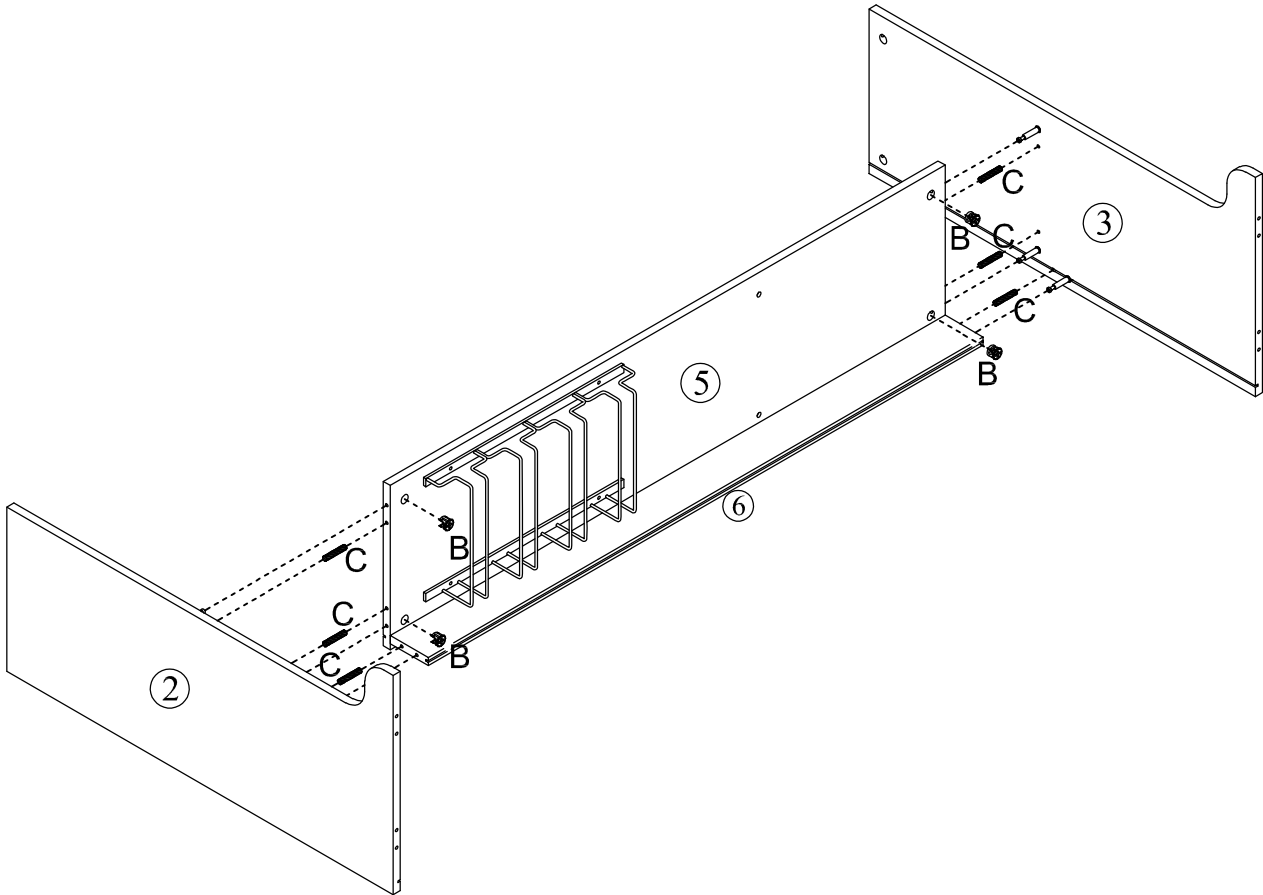
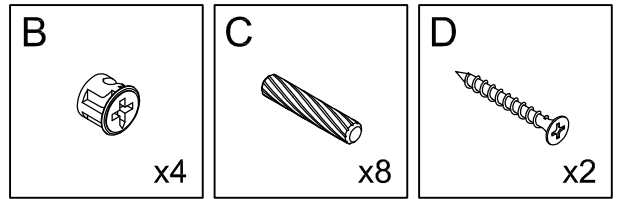
Noted :



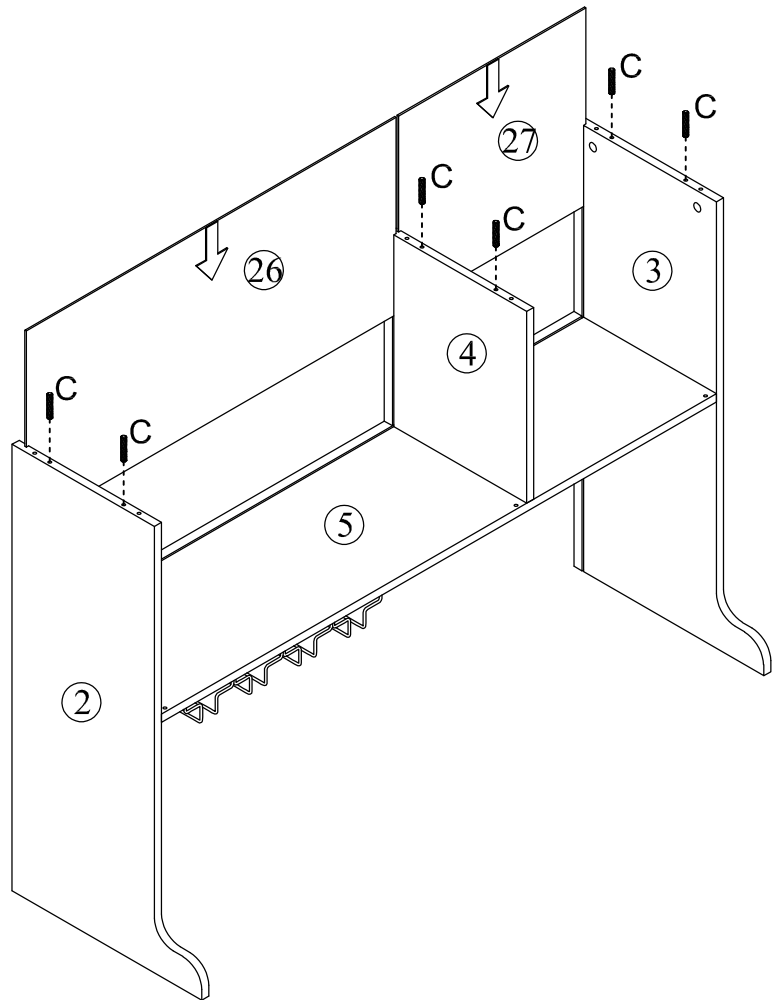
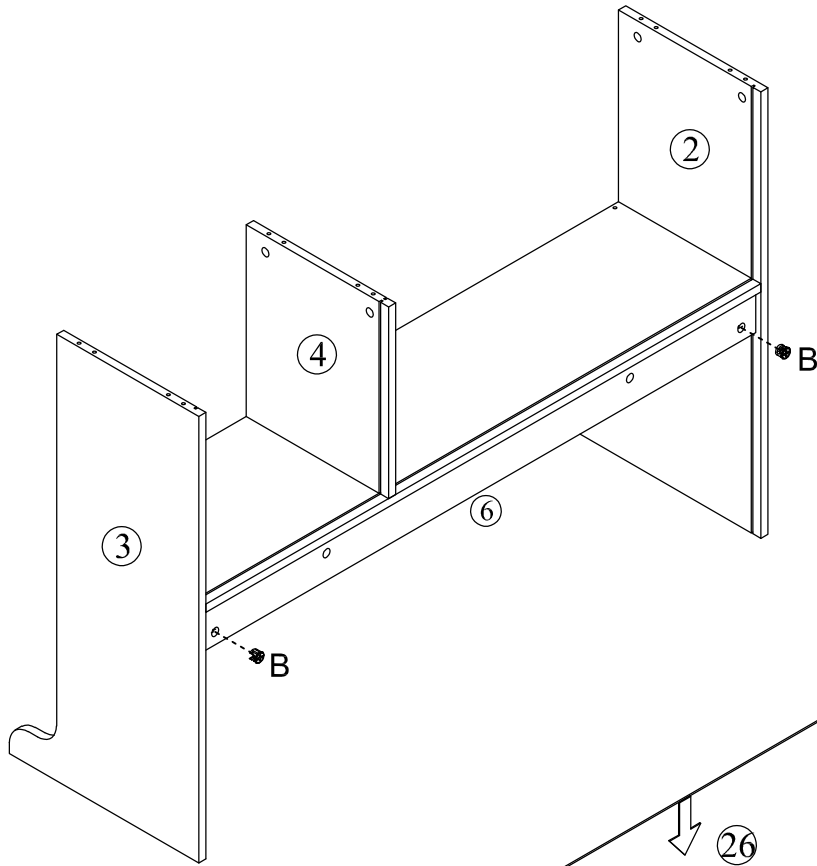
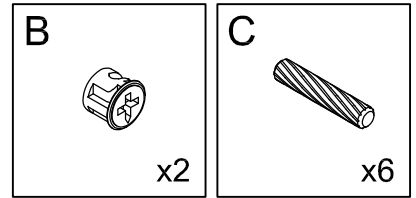
STEP 1



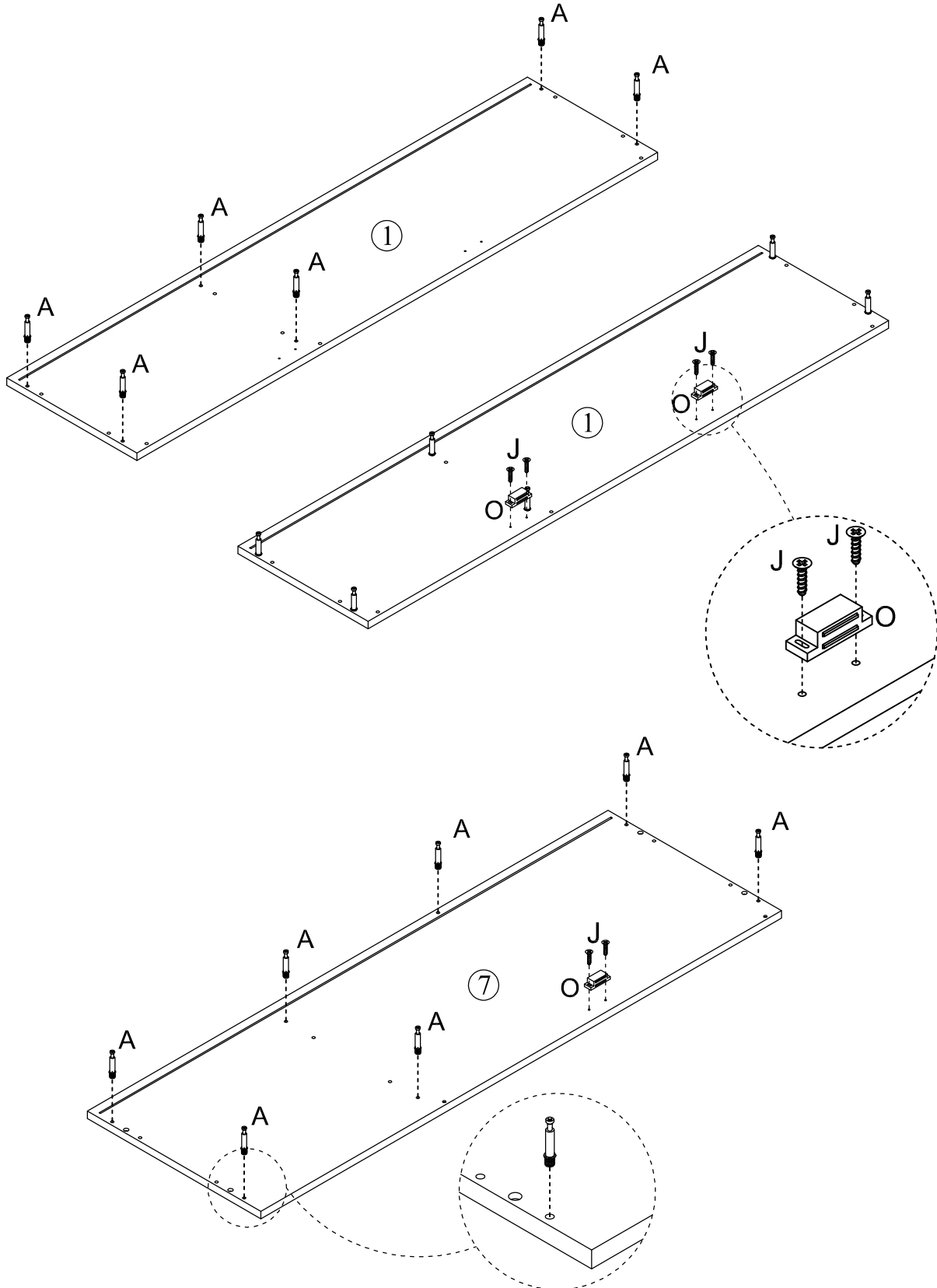
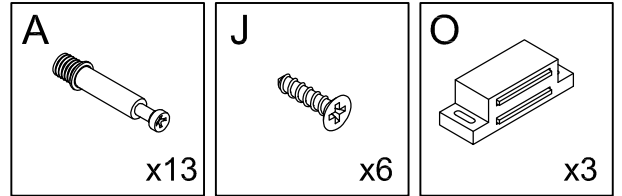
STEP 2



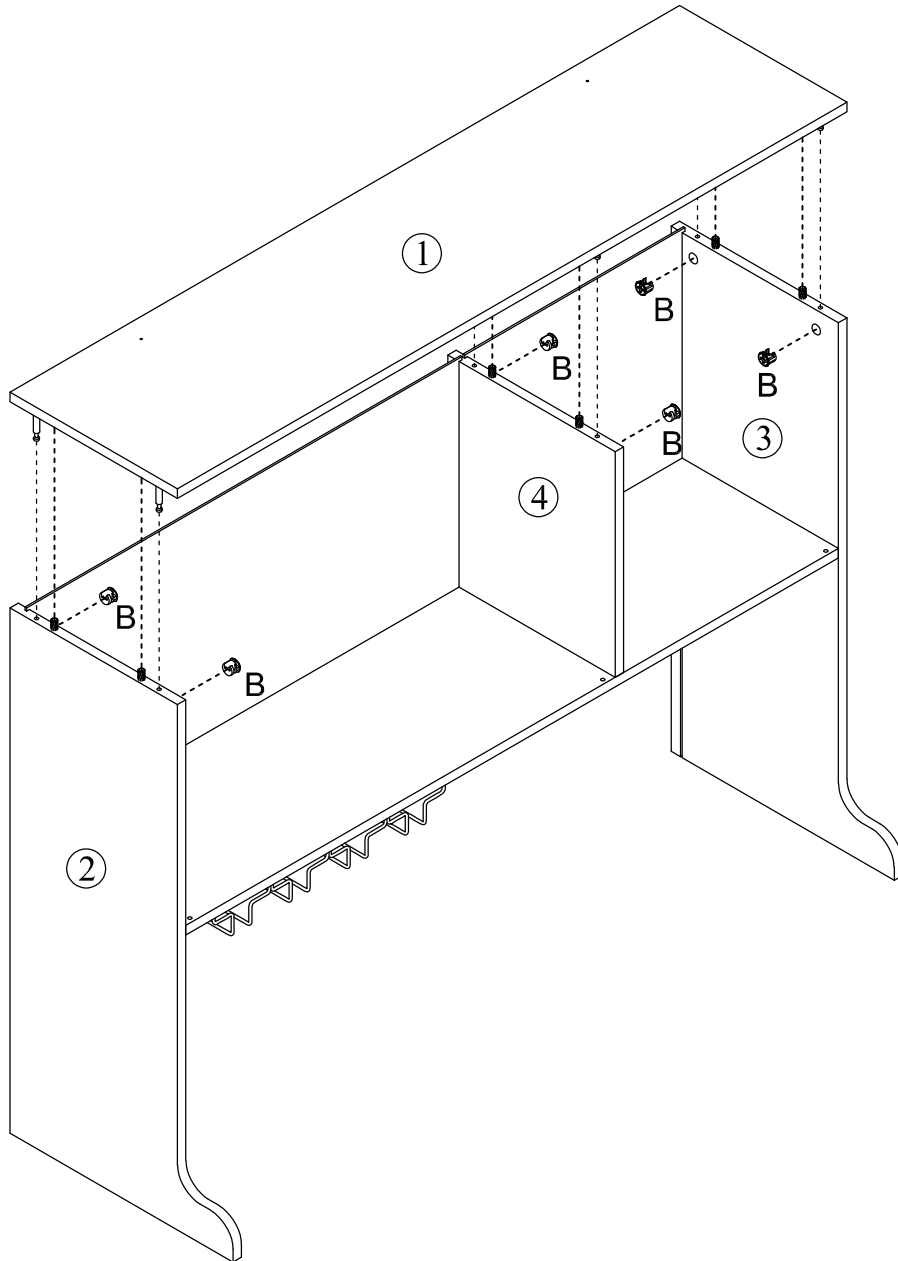
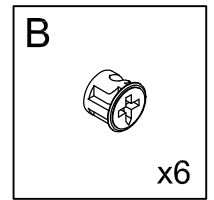
STEP 3



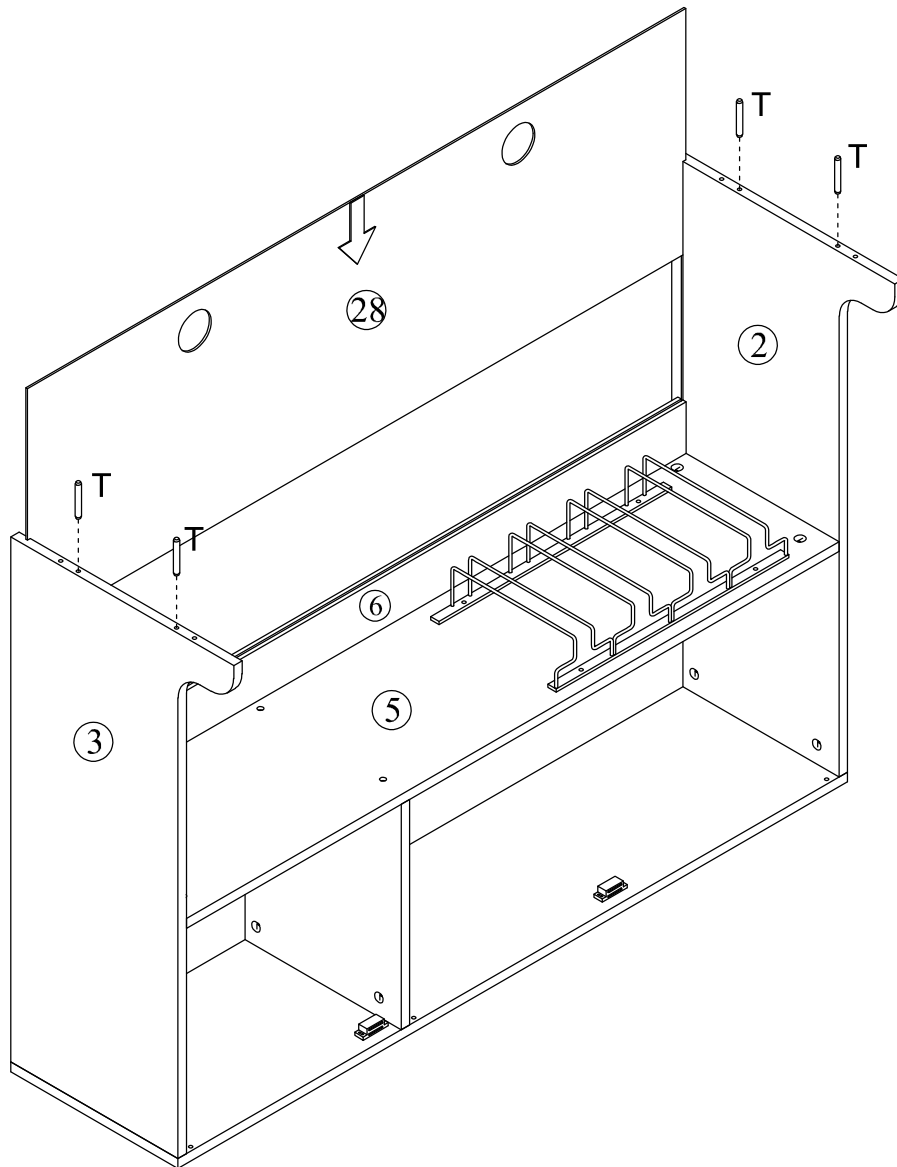
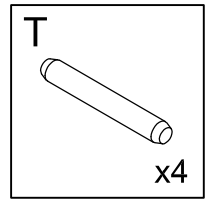
STEP 4



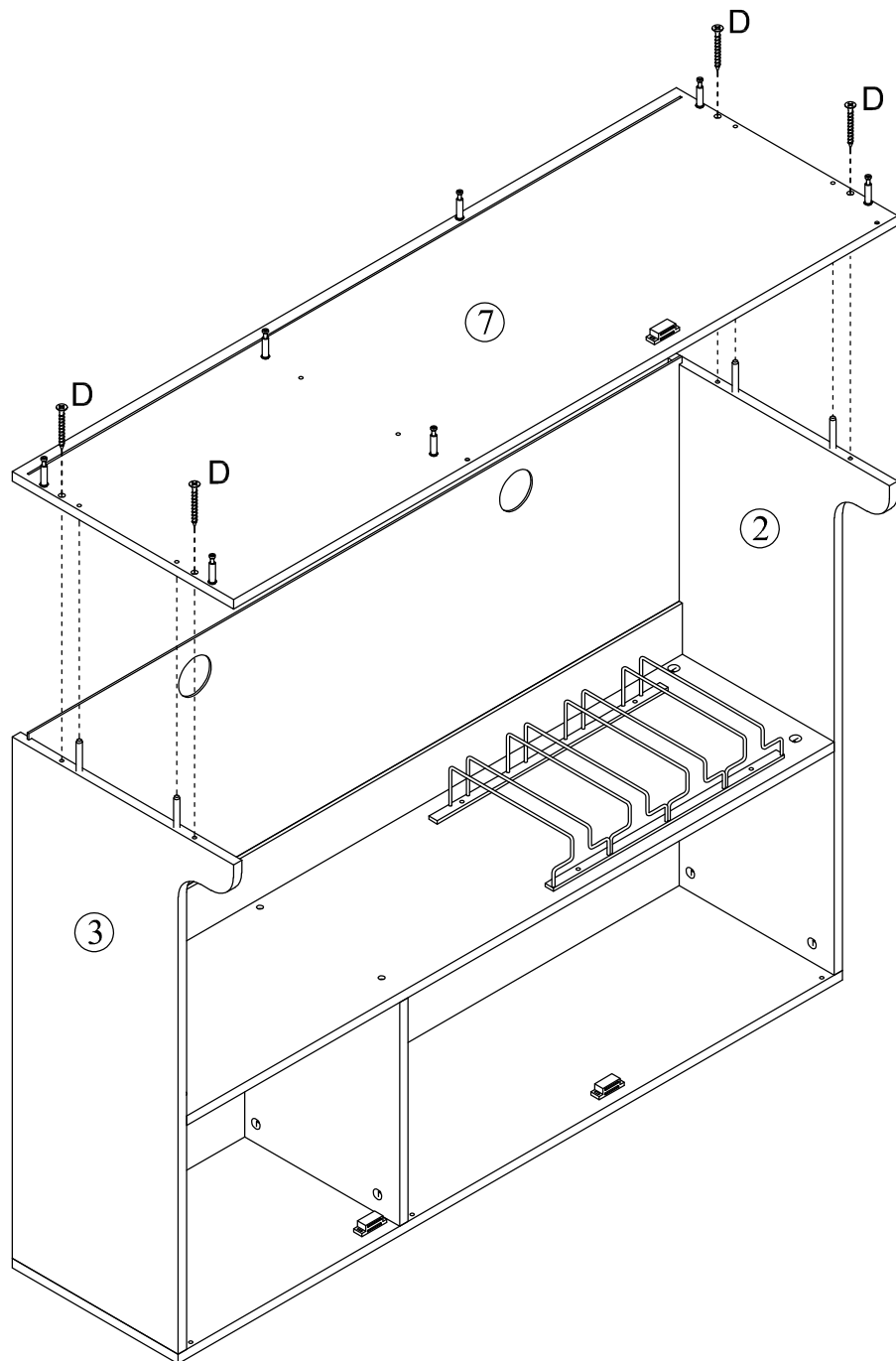
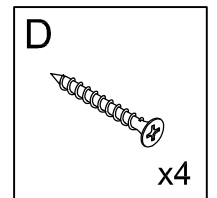
STEP 5



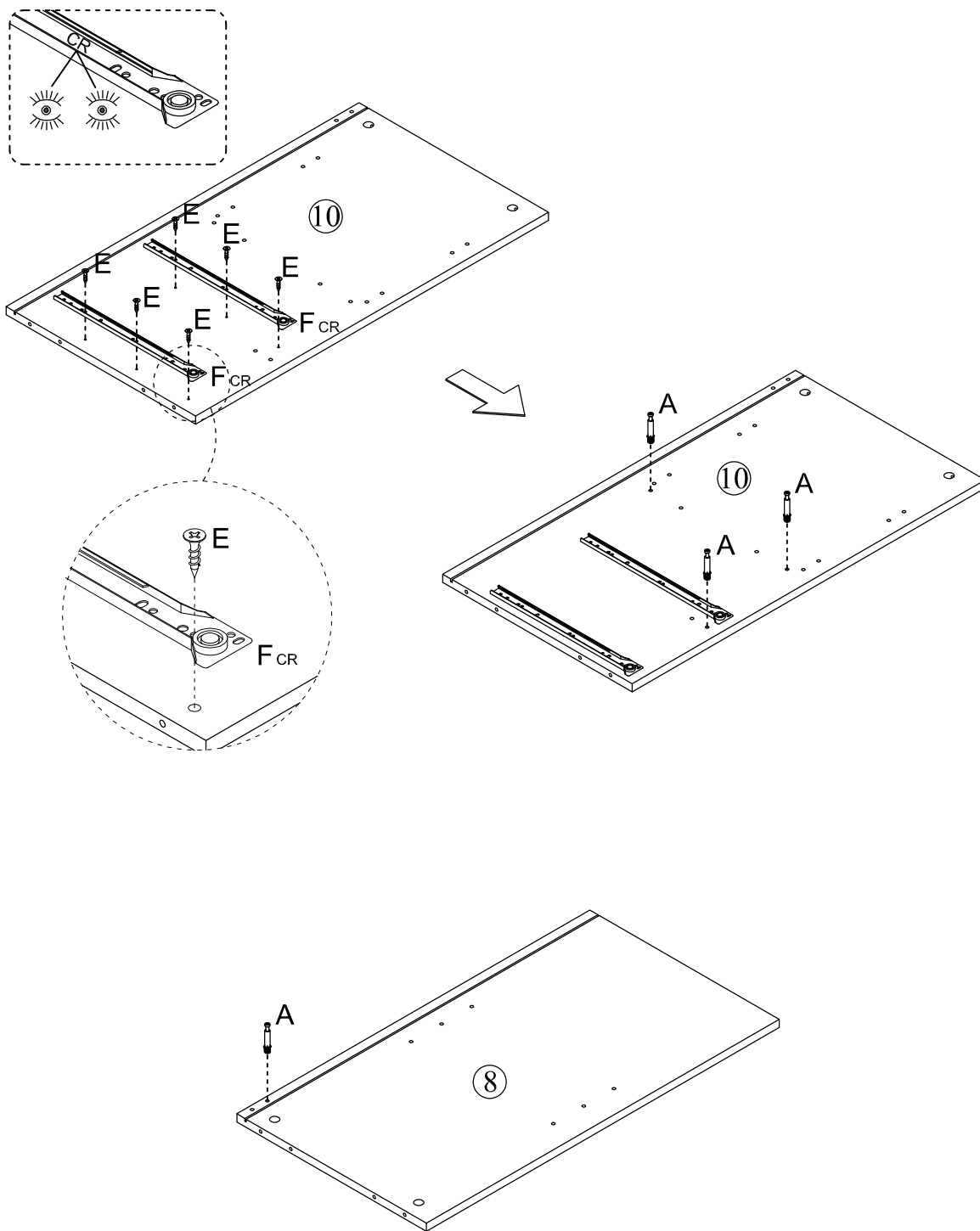
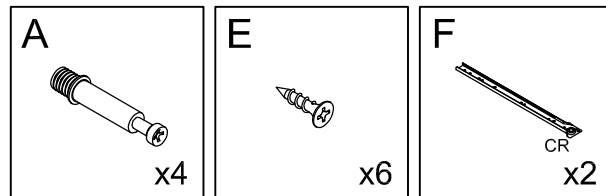
STEP 6



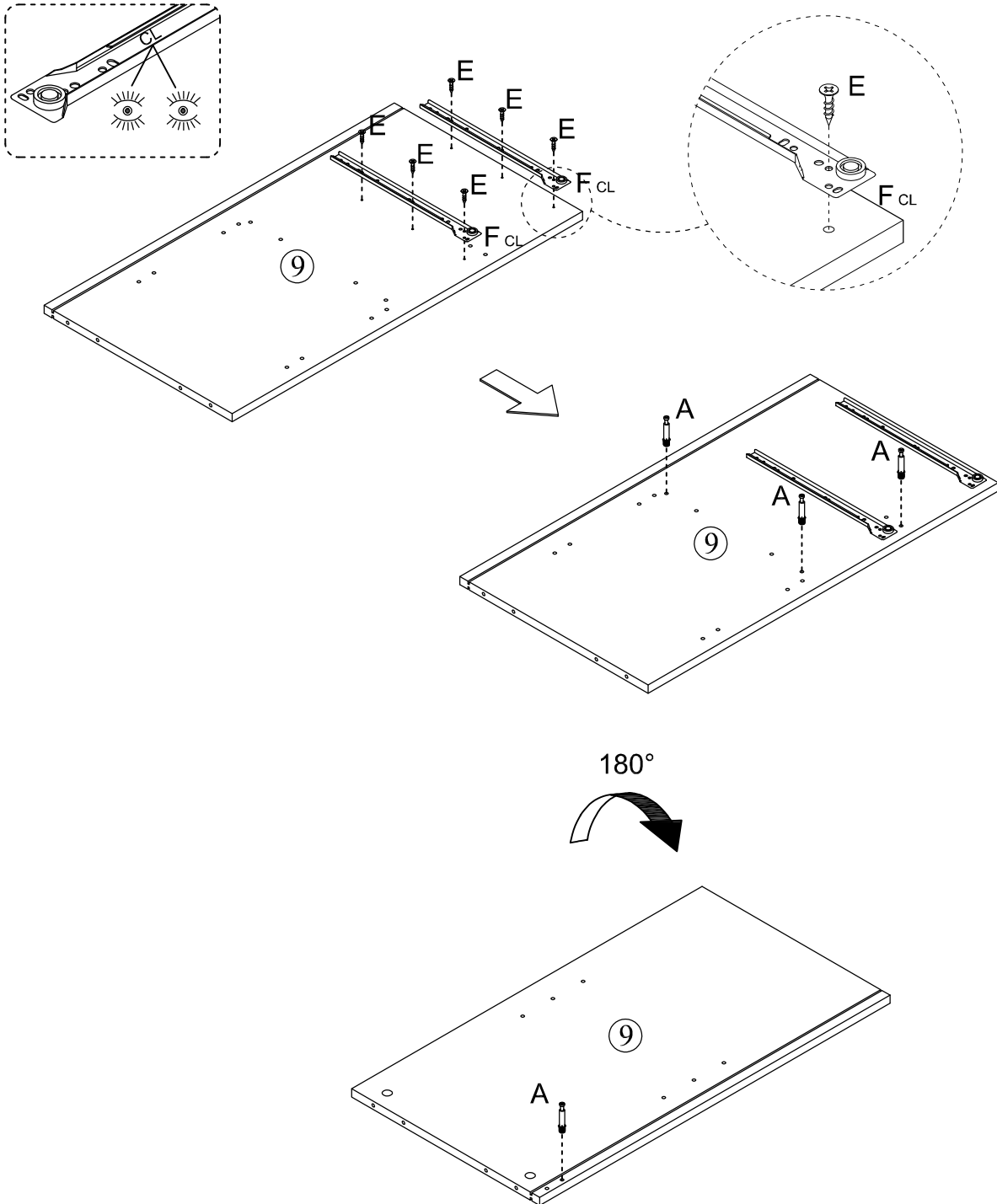
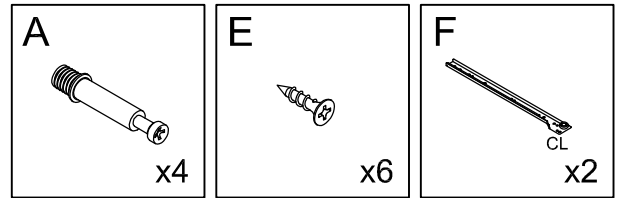
STEP 7



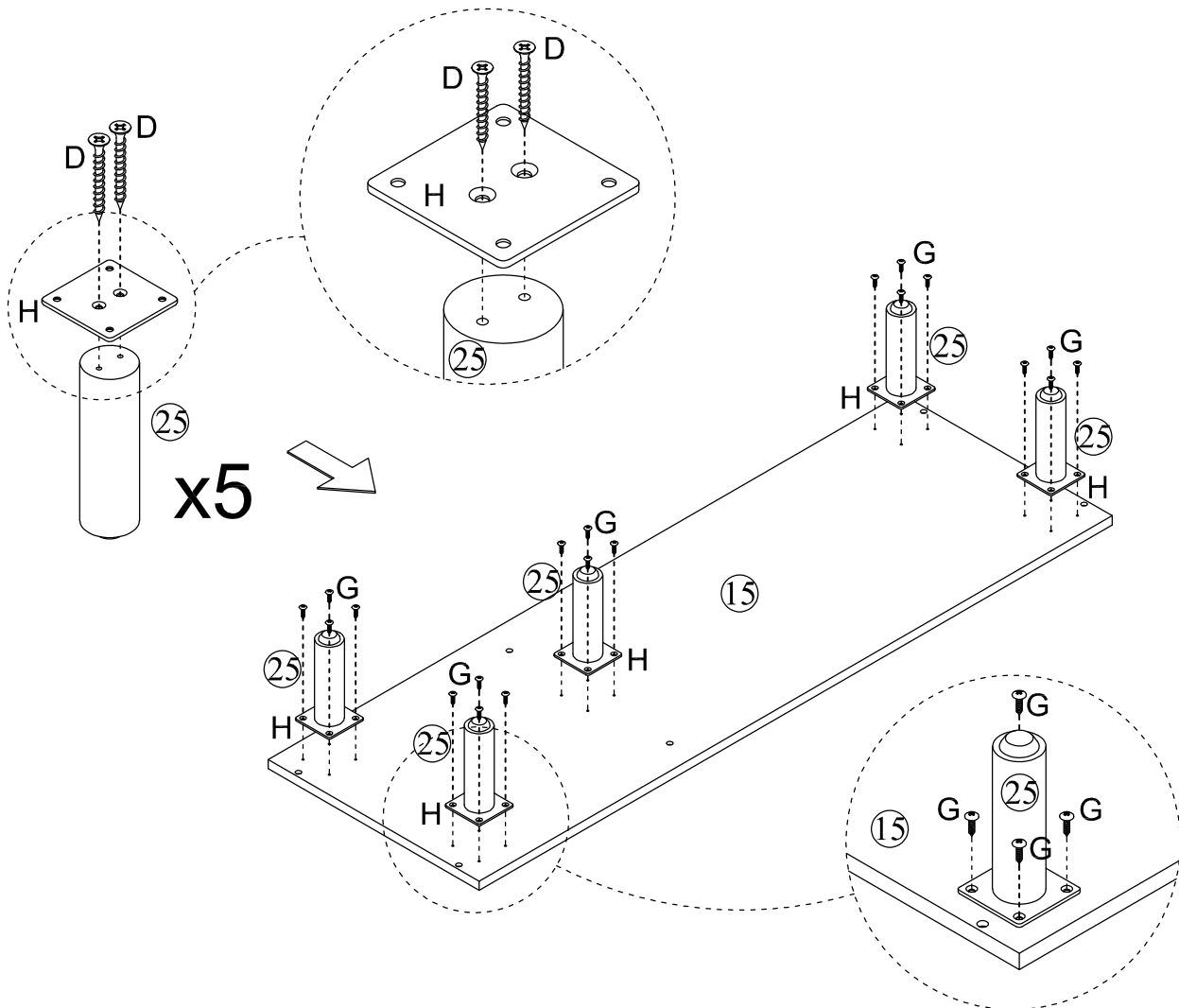
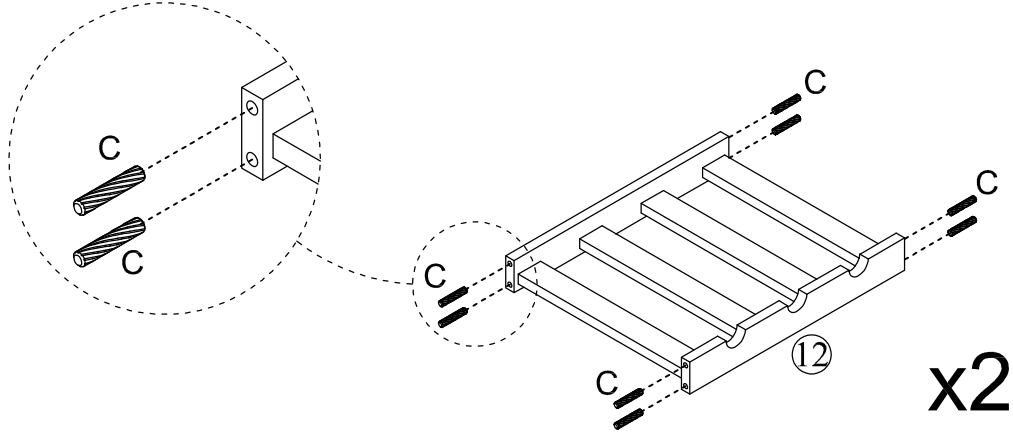
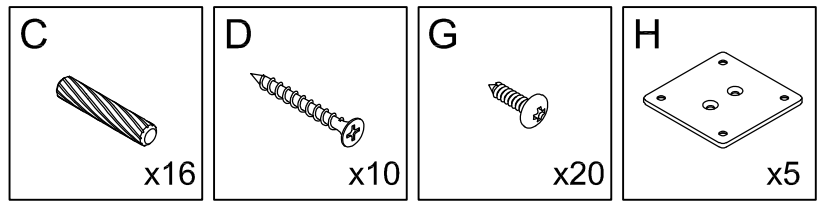
STEP 8



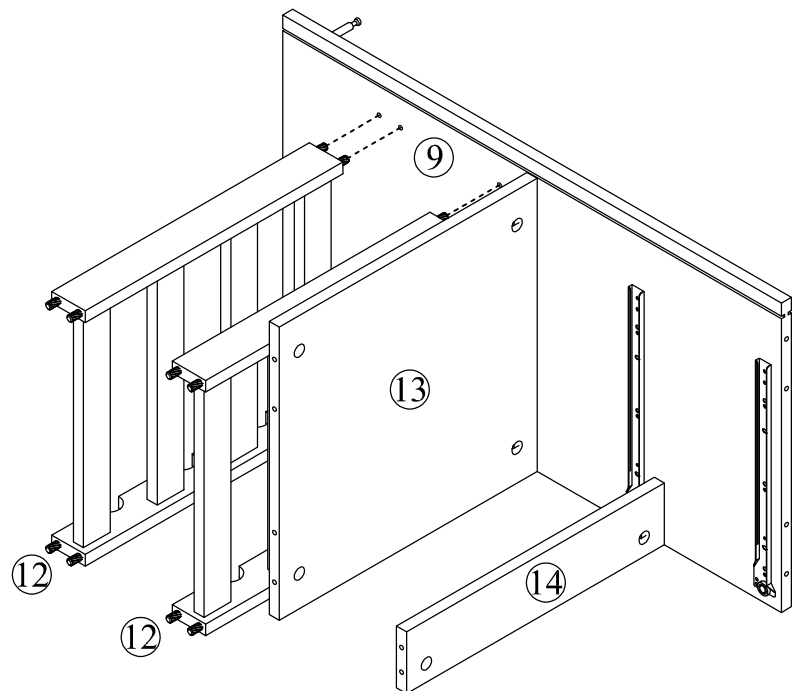
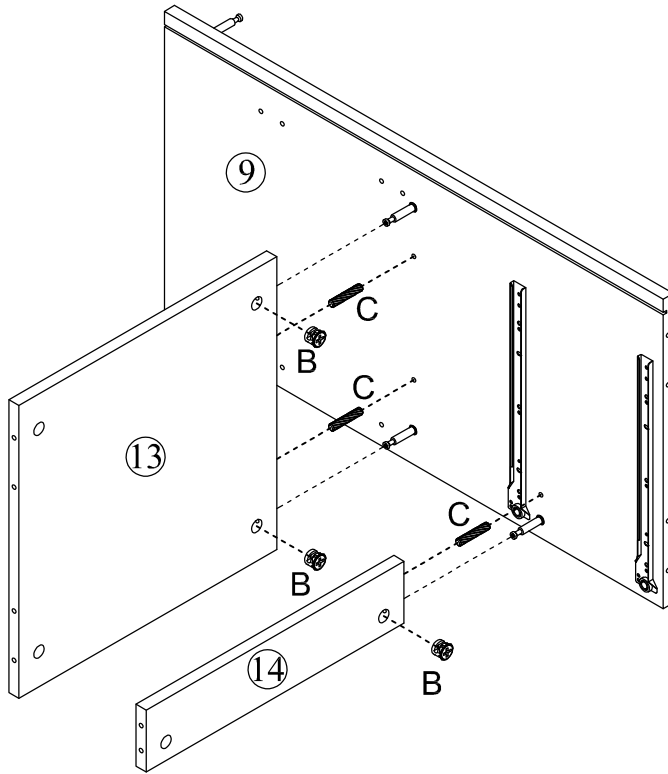
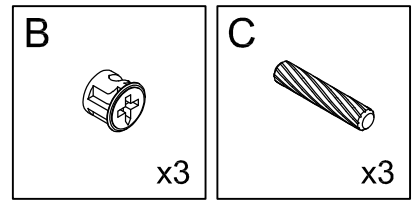
STEP 9



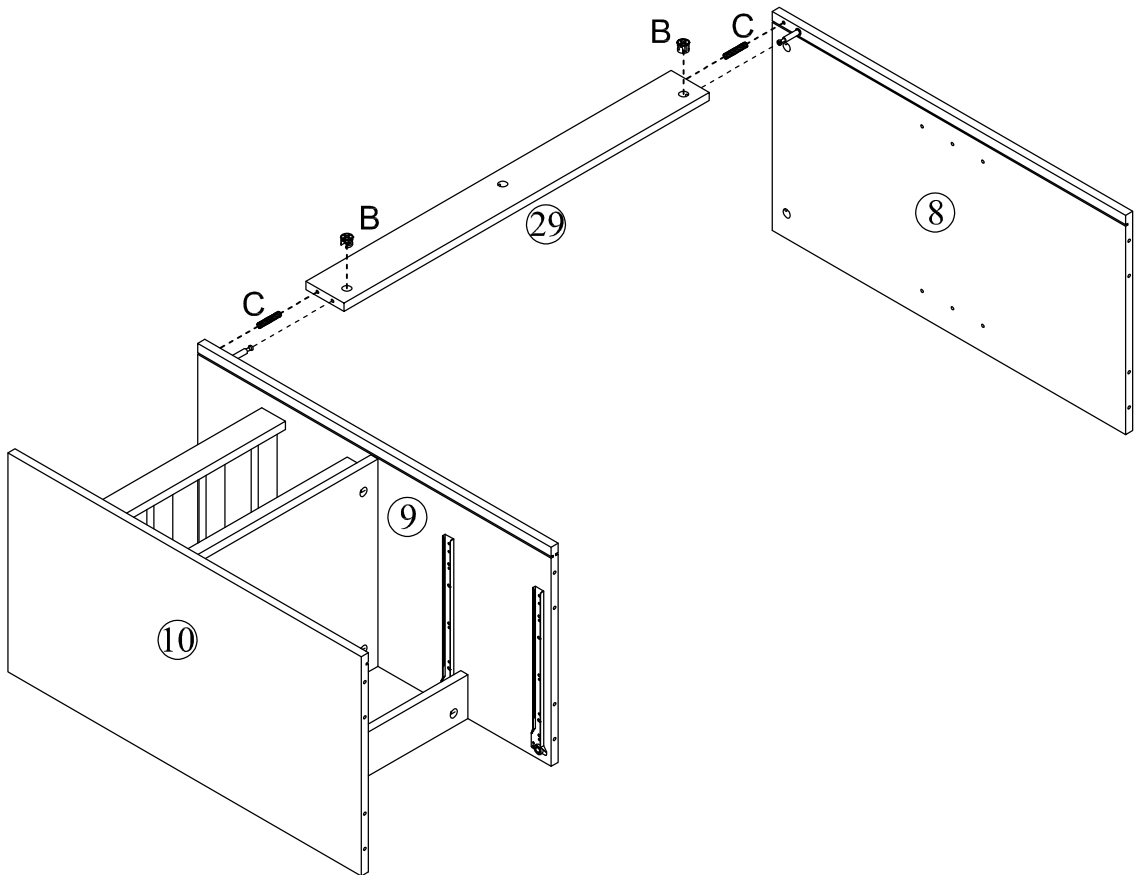
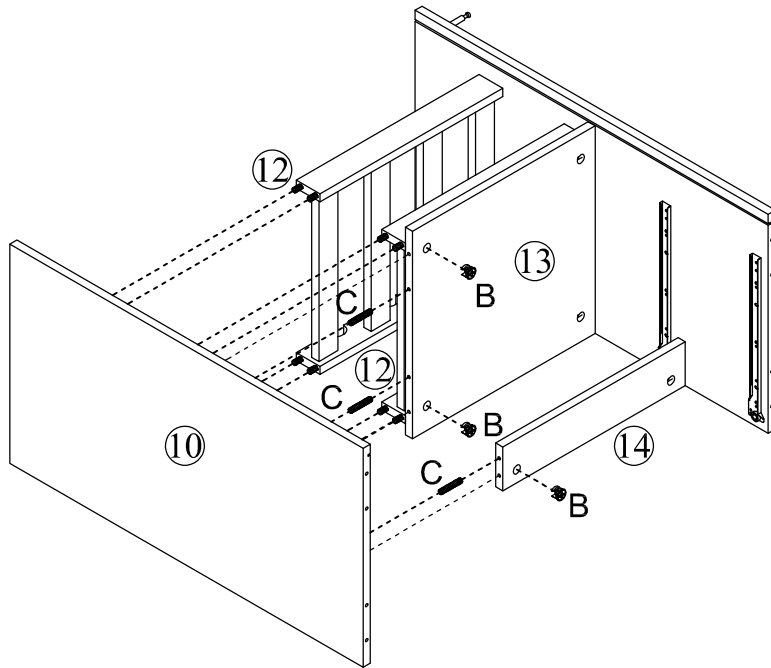
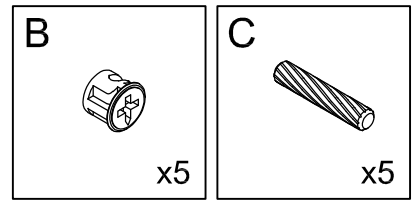
STEP 10



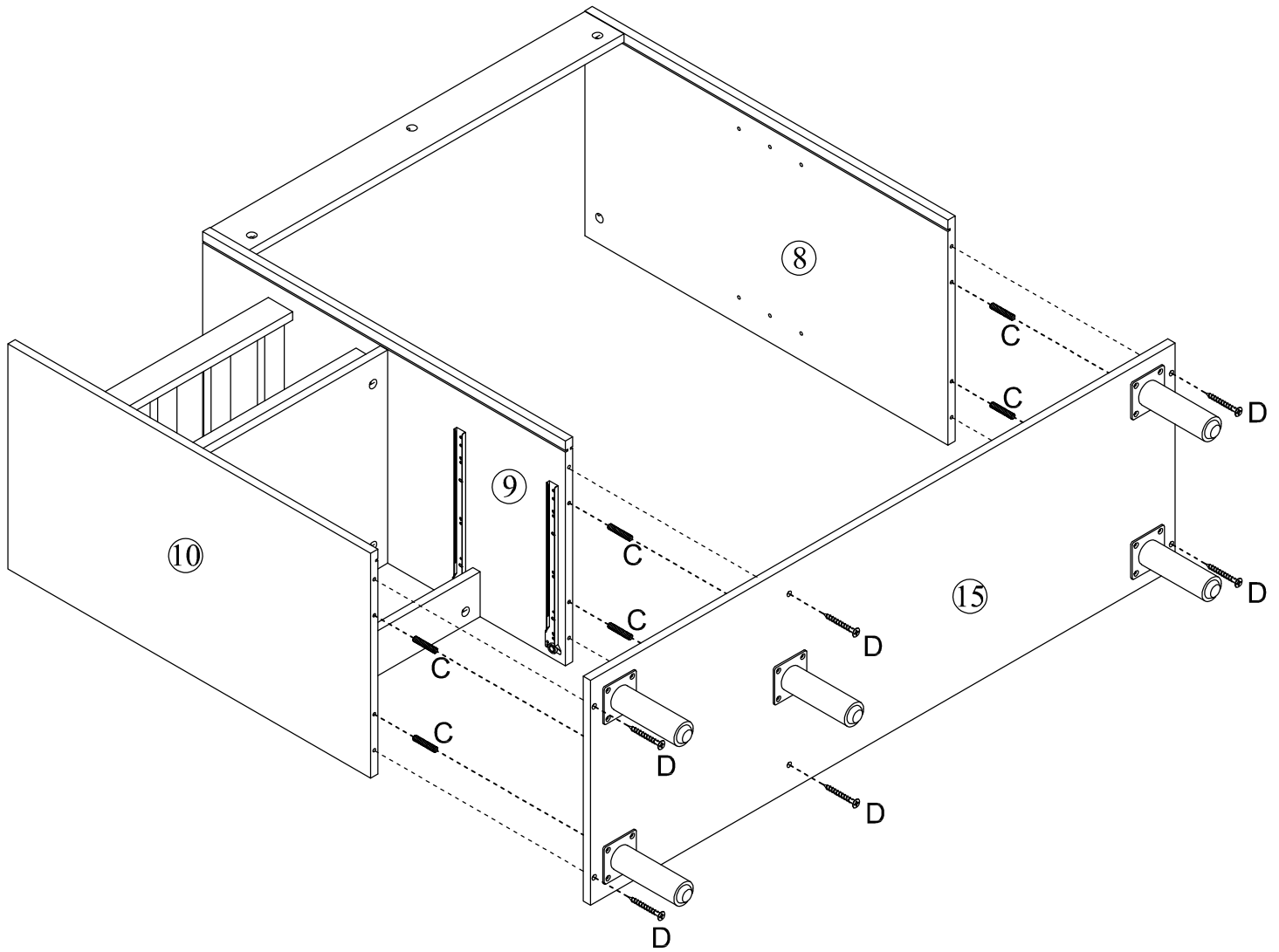
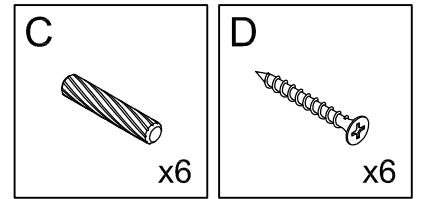
STEP 11



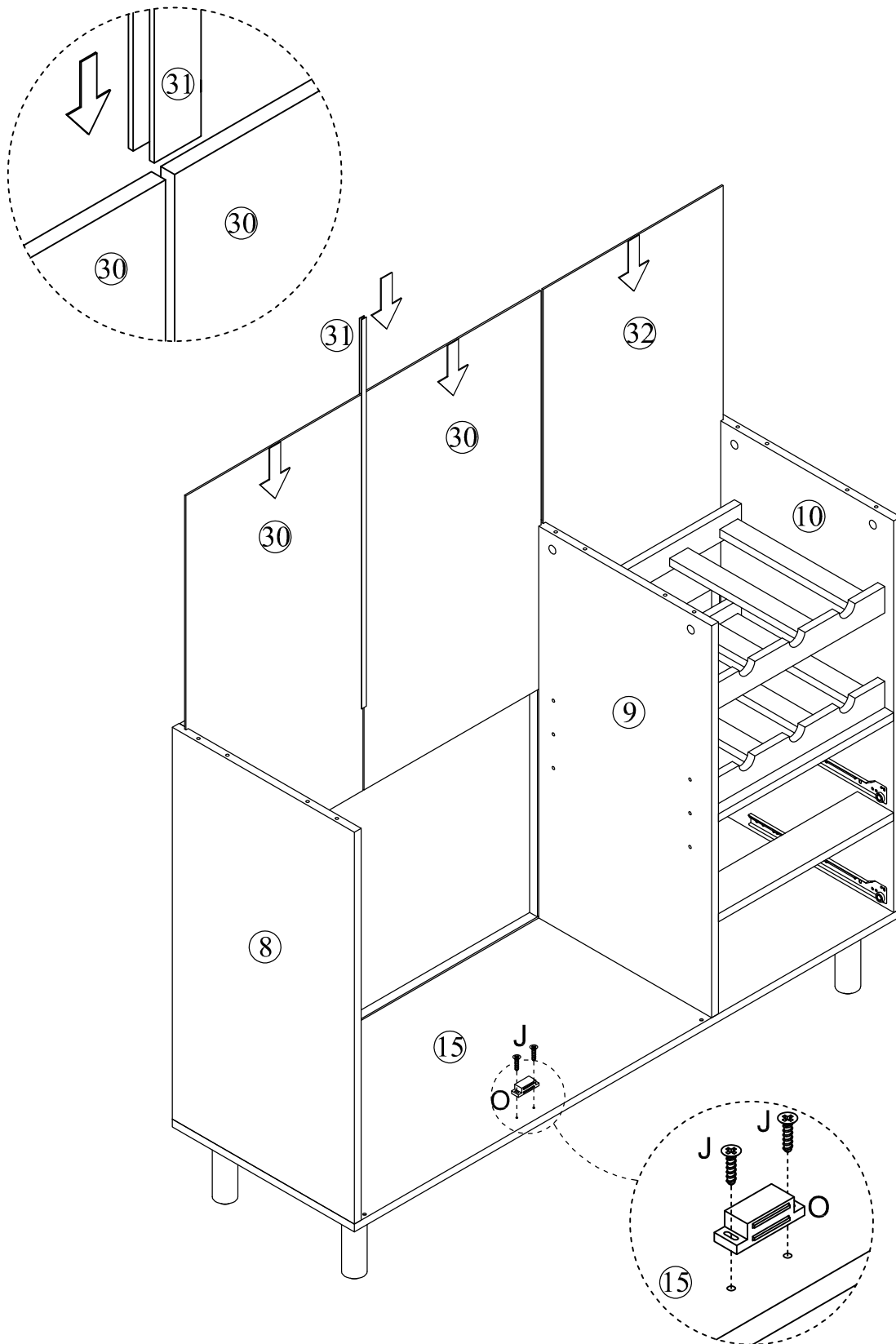
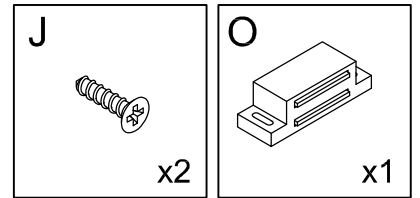
STEP 12



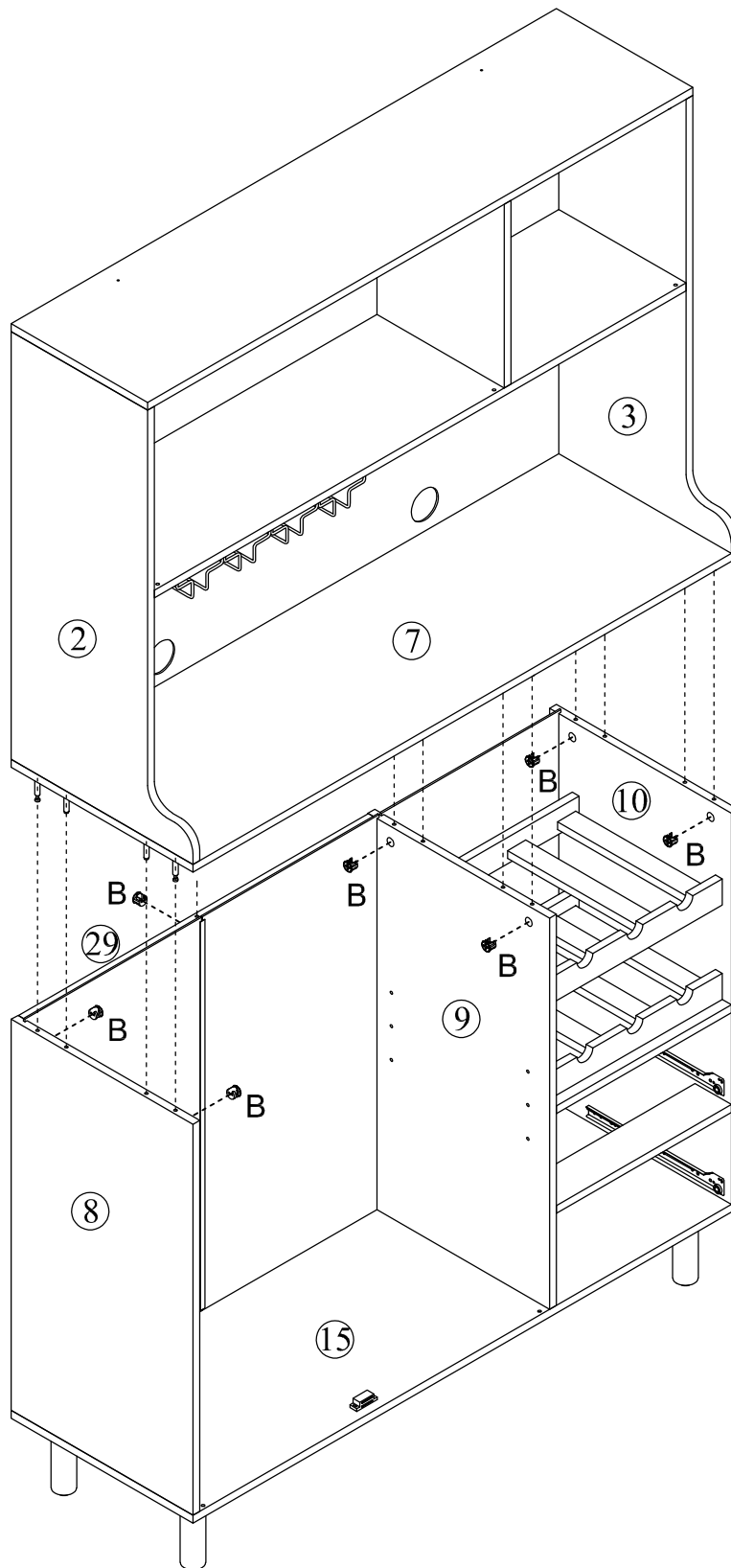
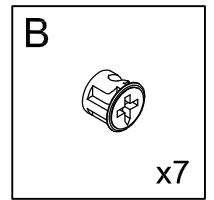
STEP 13



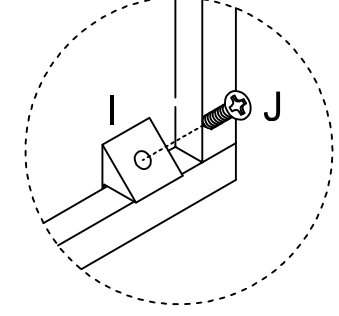
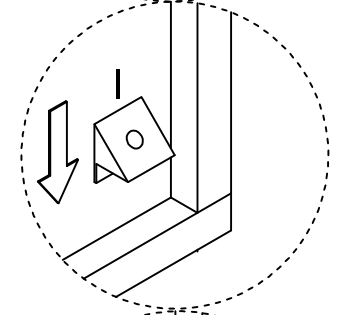
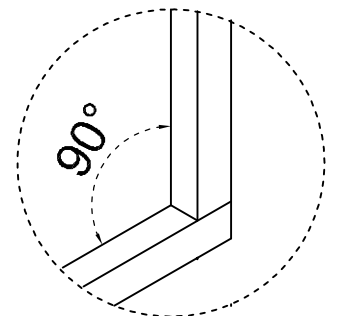
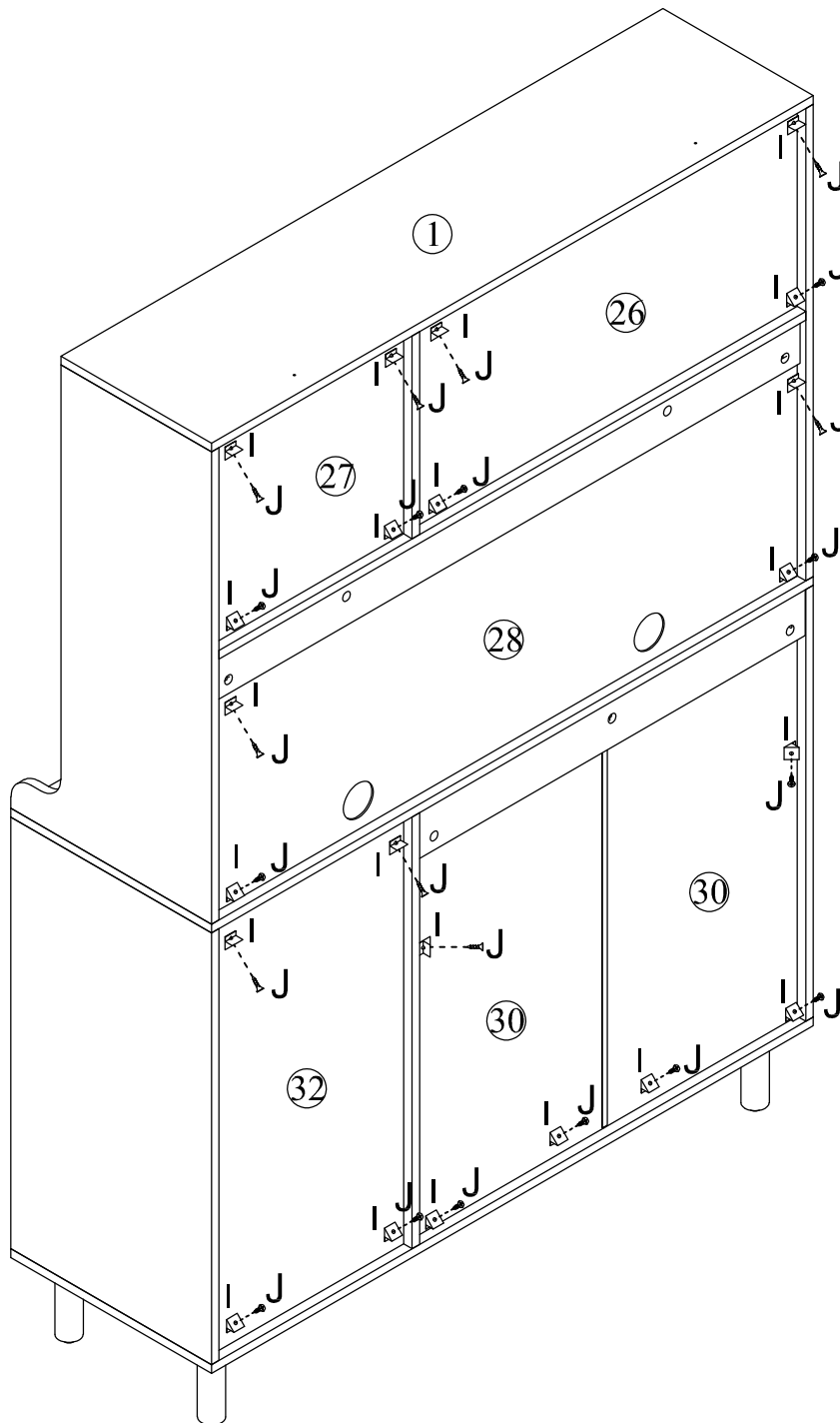
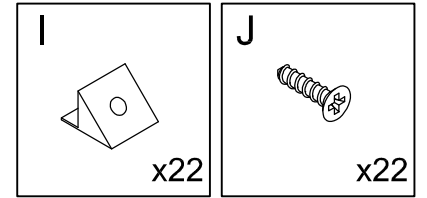
STEP 14



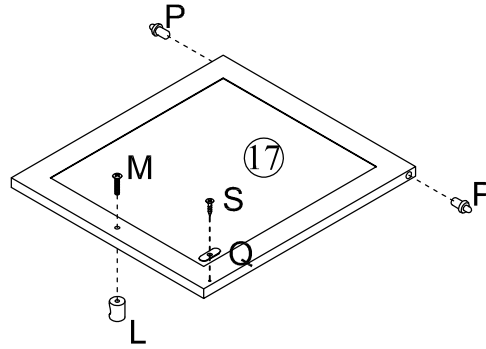
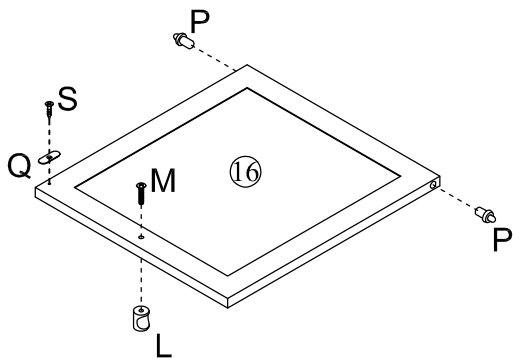
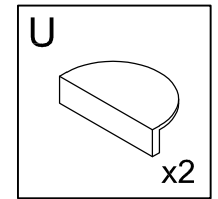
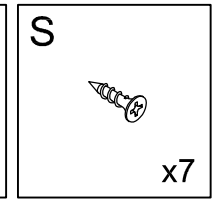
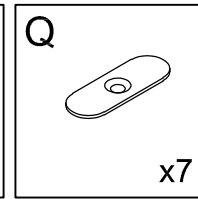
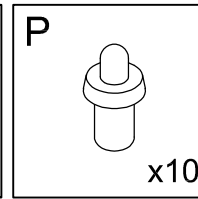
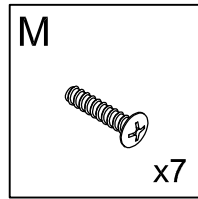
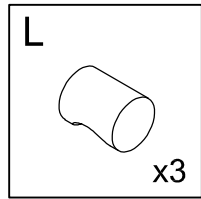
STEP 15



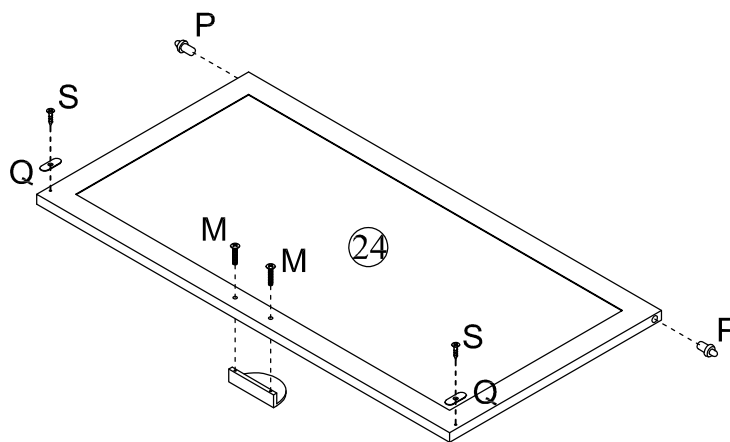
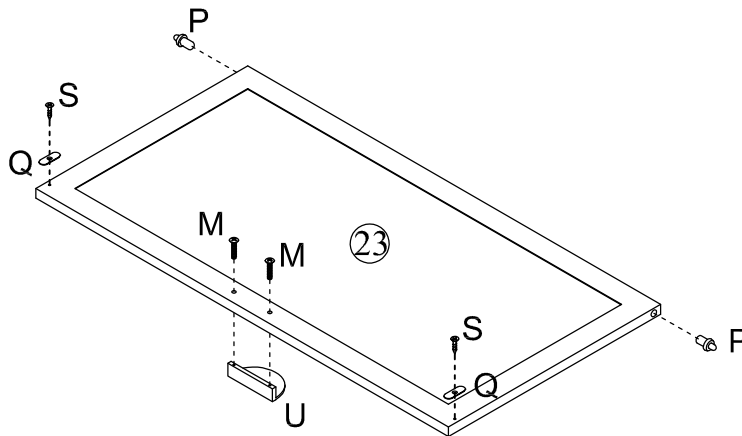
STEP 16



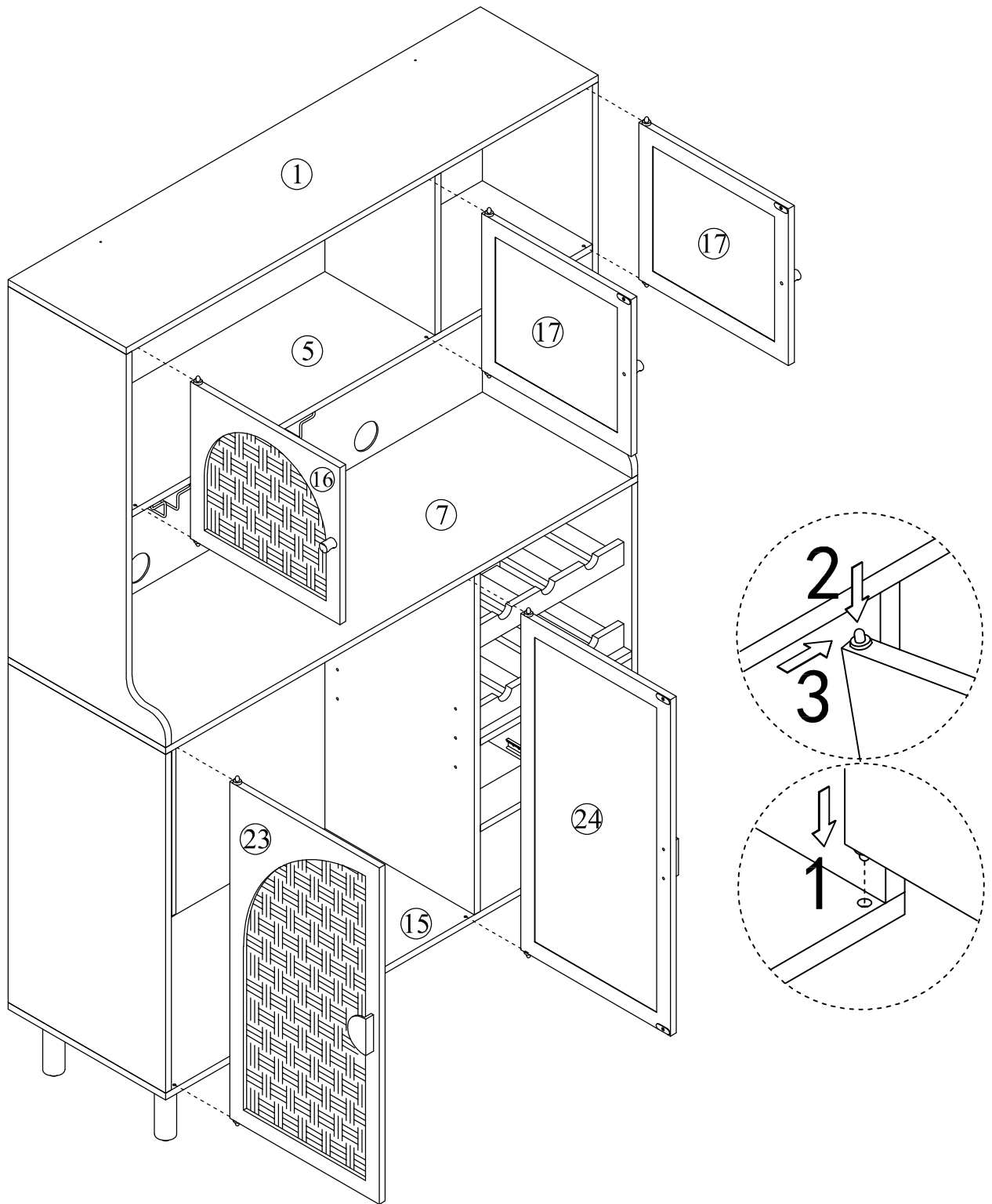
STEP 17



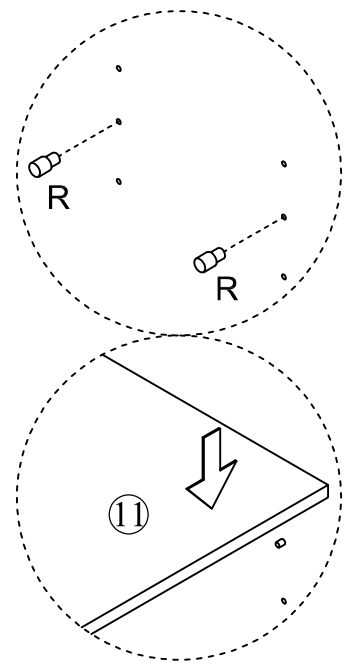
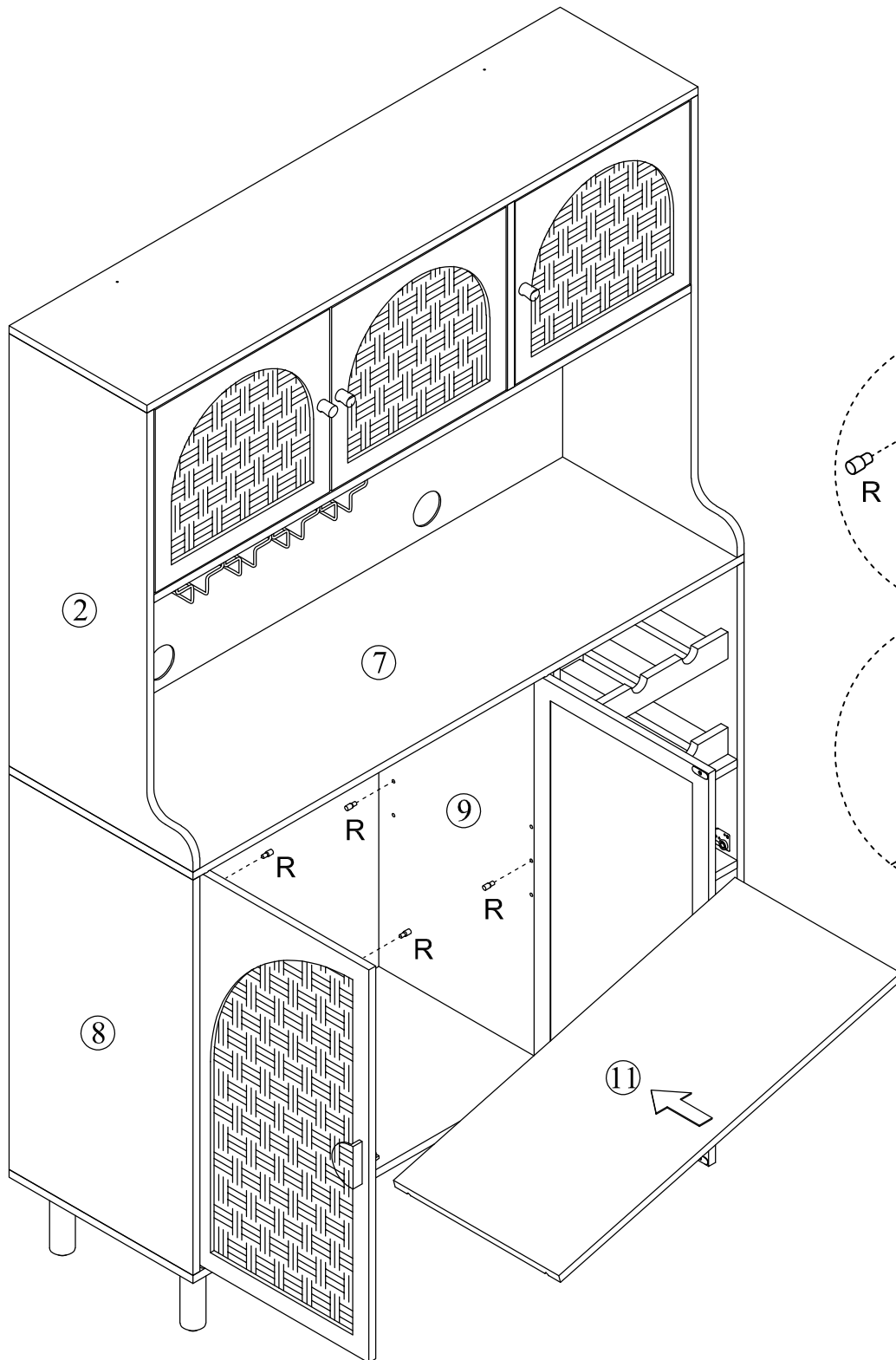
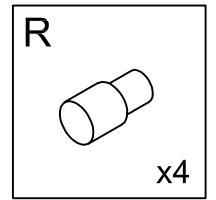
x2



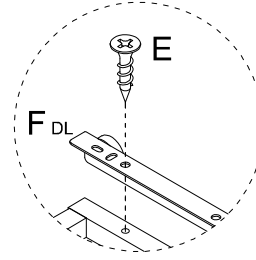
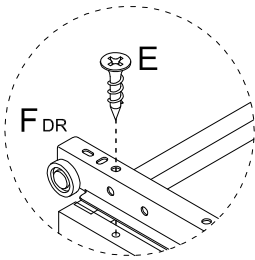
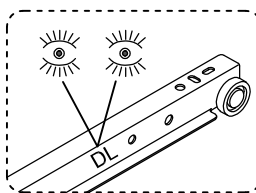
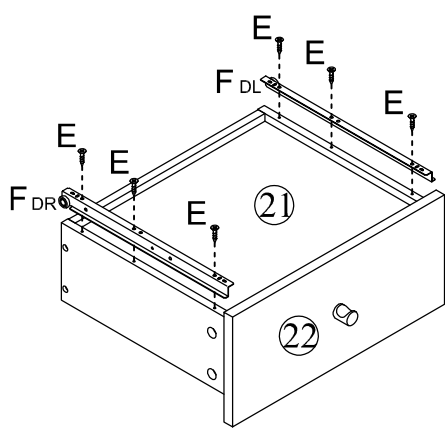
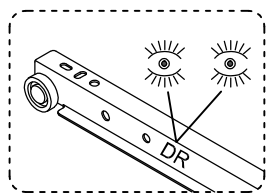
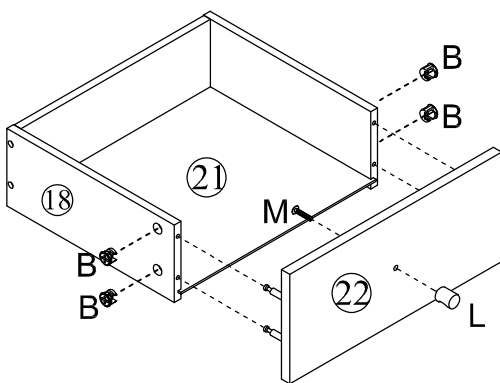
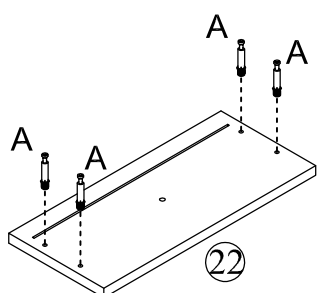
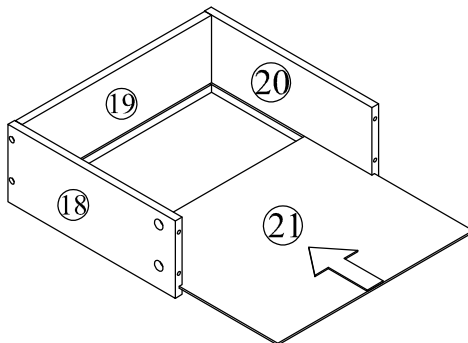
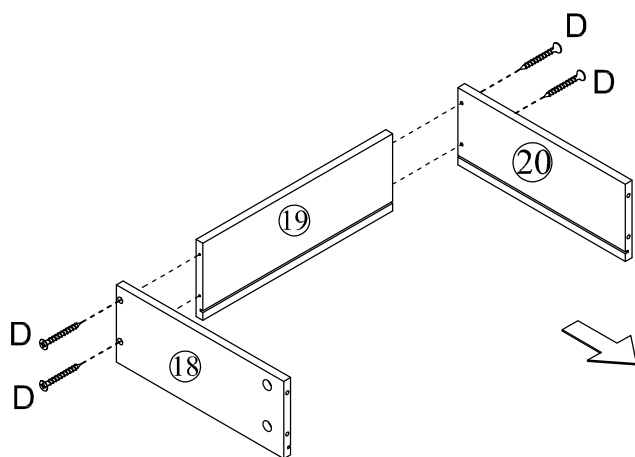
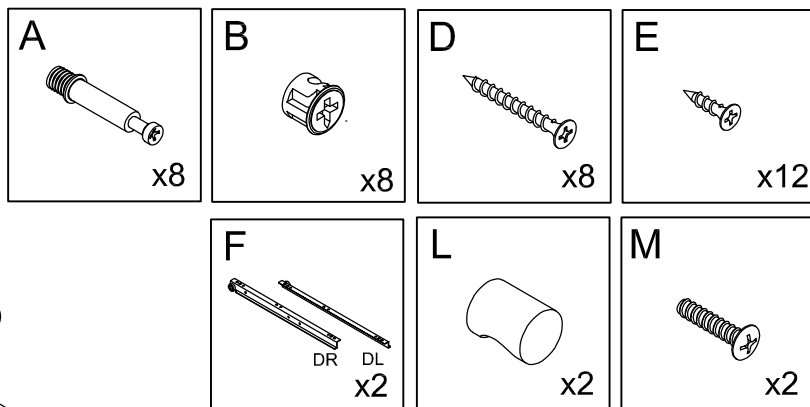
STEP 18



STEP 19

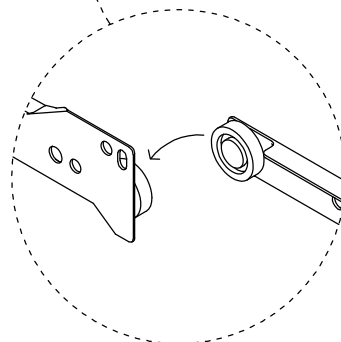
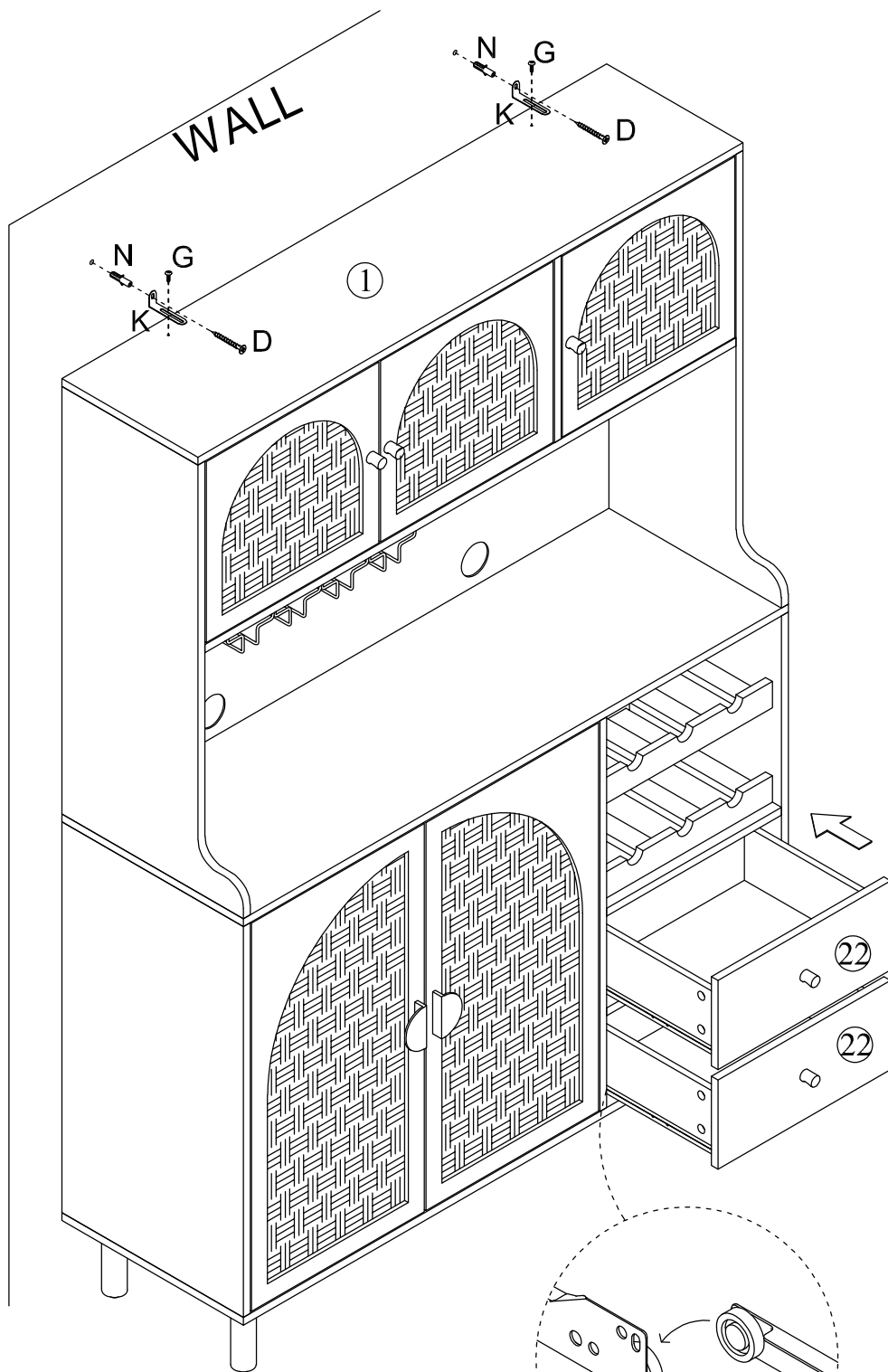
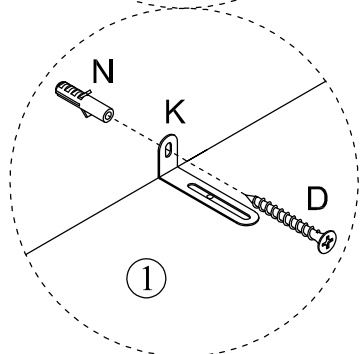
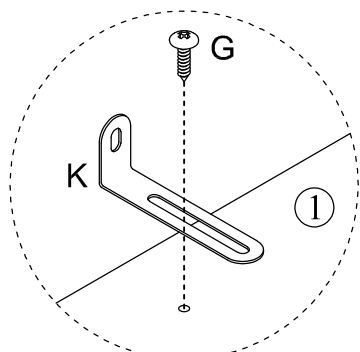
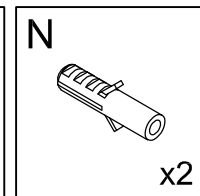
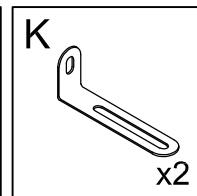
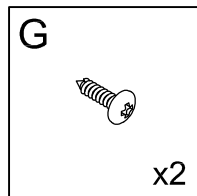
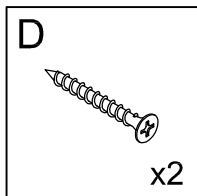


STEP 20



x2

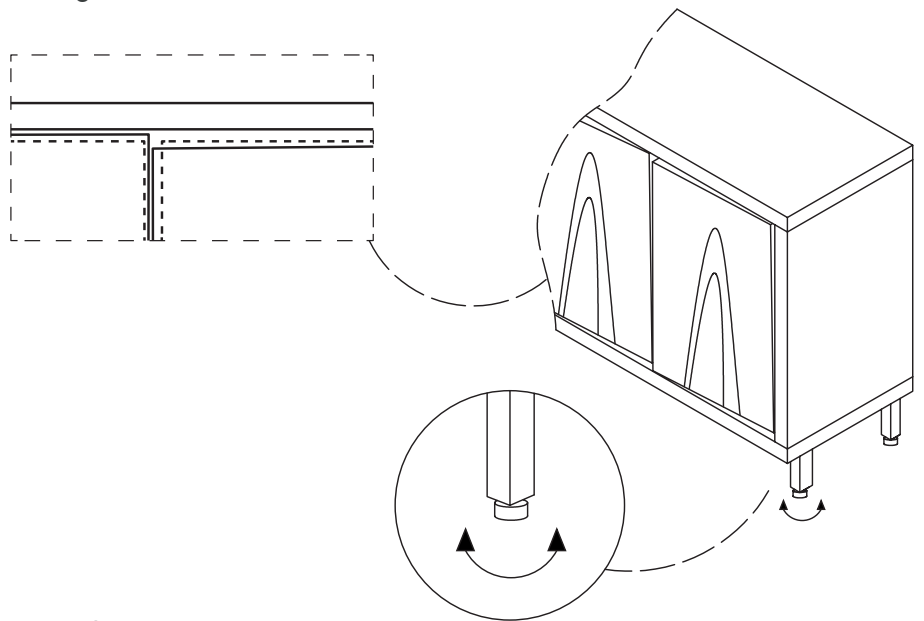
STEP 21



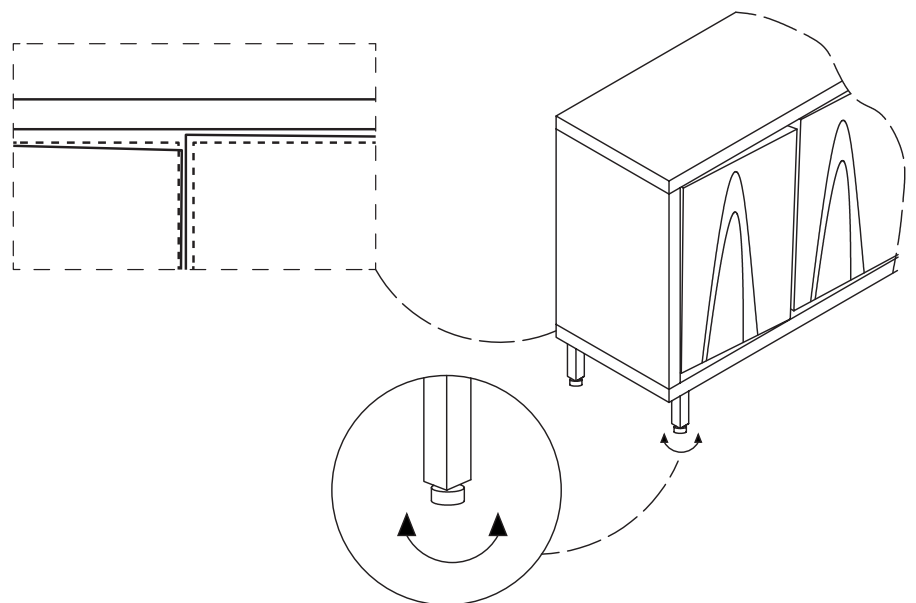
Is your cabinet door looking crooked or unevenly spaced? (Cont.)

If you're still having trouble lining everything up, your next step should be to try to adjust the feet slightly to square up the cabinet & doors. Follow the illustrations below:

If the right door appears to be hanging low, you can adjust the adjustable leveler on the front right until the door is better aligned.



If the left door appears to be hanging low, you can adjust the adjustable leveler on the front left until the door is better aligned.



Proper Use

- DO NOT** use for commercial purposes
- DO NOT** use as a step stool or stand on table
- DO NOT** put hot serving liquid directly on the table top
- DO NOT** leave spilled liquid on the table top
- DO NOT** use table if damaged
- DO NOT** exceed weight limit
- DO NOT** make temporary repairs
- DO NOT** use outdoor

Dear Customer:

Thank you for purchasing our product,we wish you satisfy our service,if you have any further questions or any quality issues,please show the belows number and don't hesitate to contact our