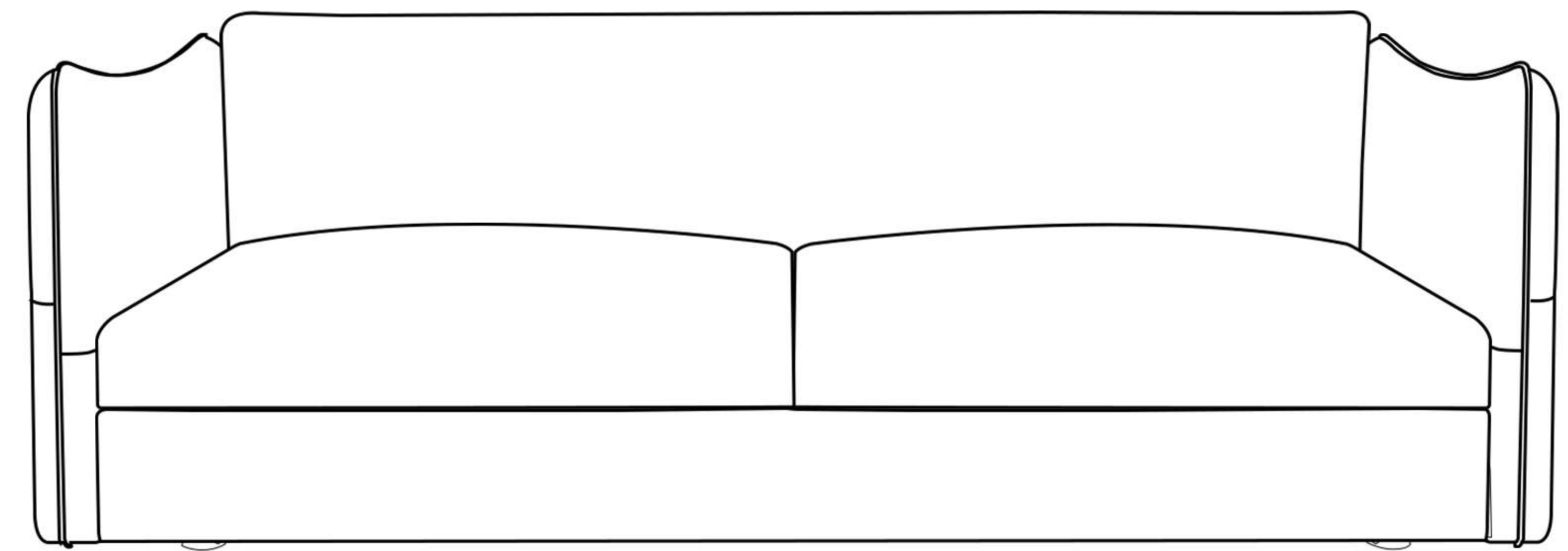
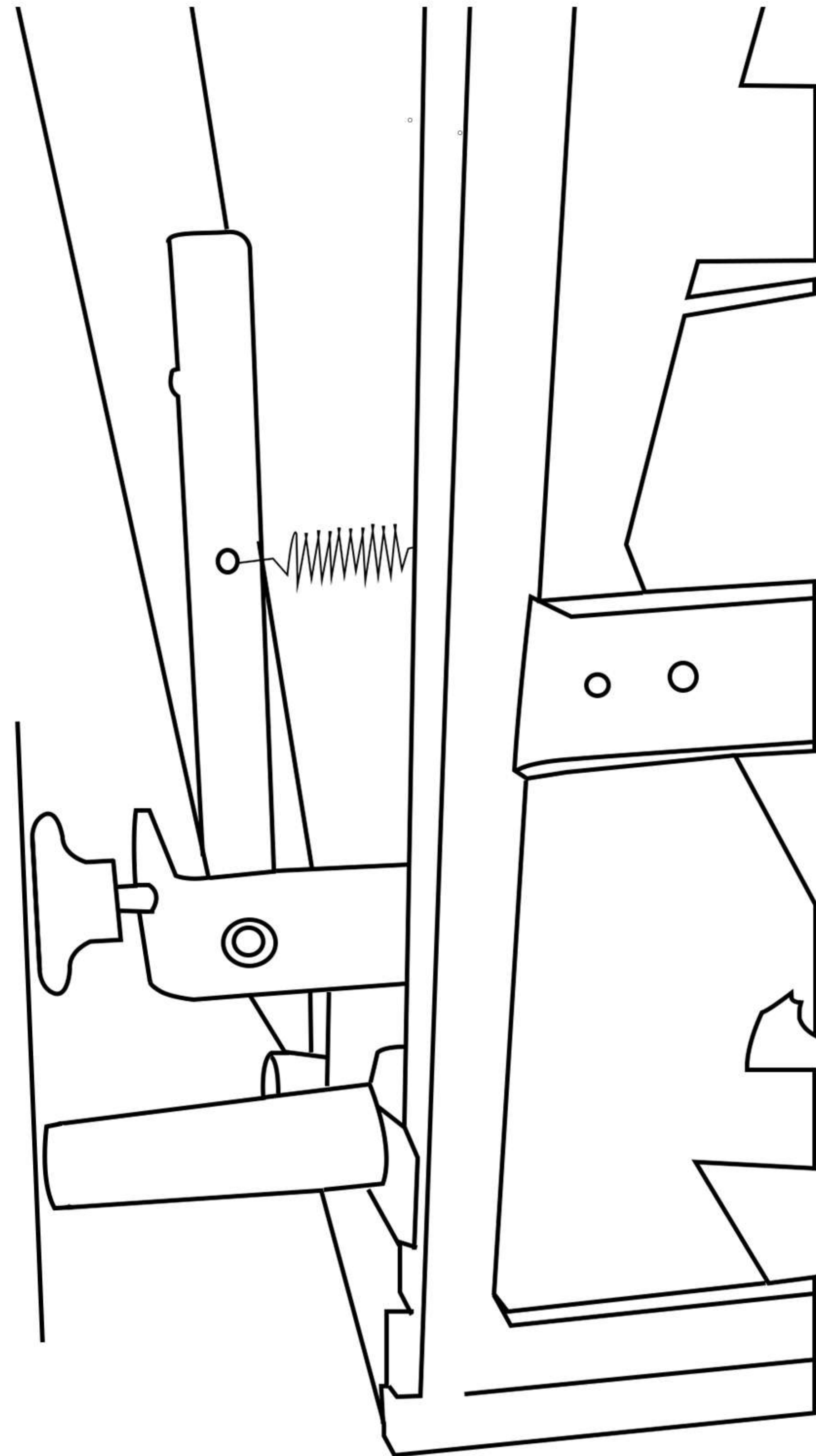


# INSTRUCTION MANUAL



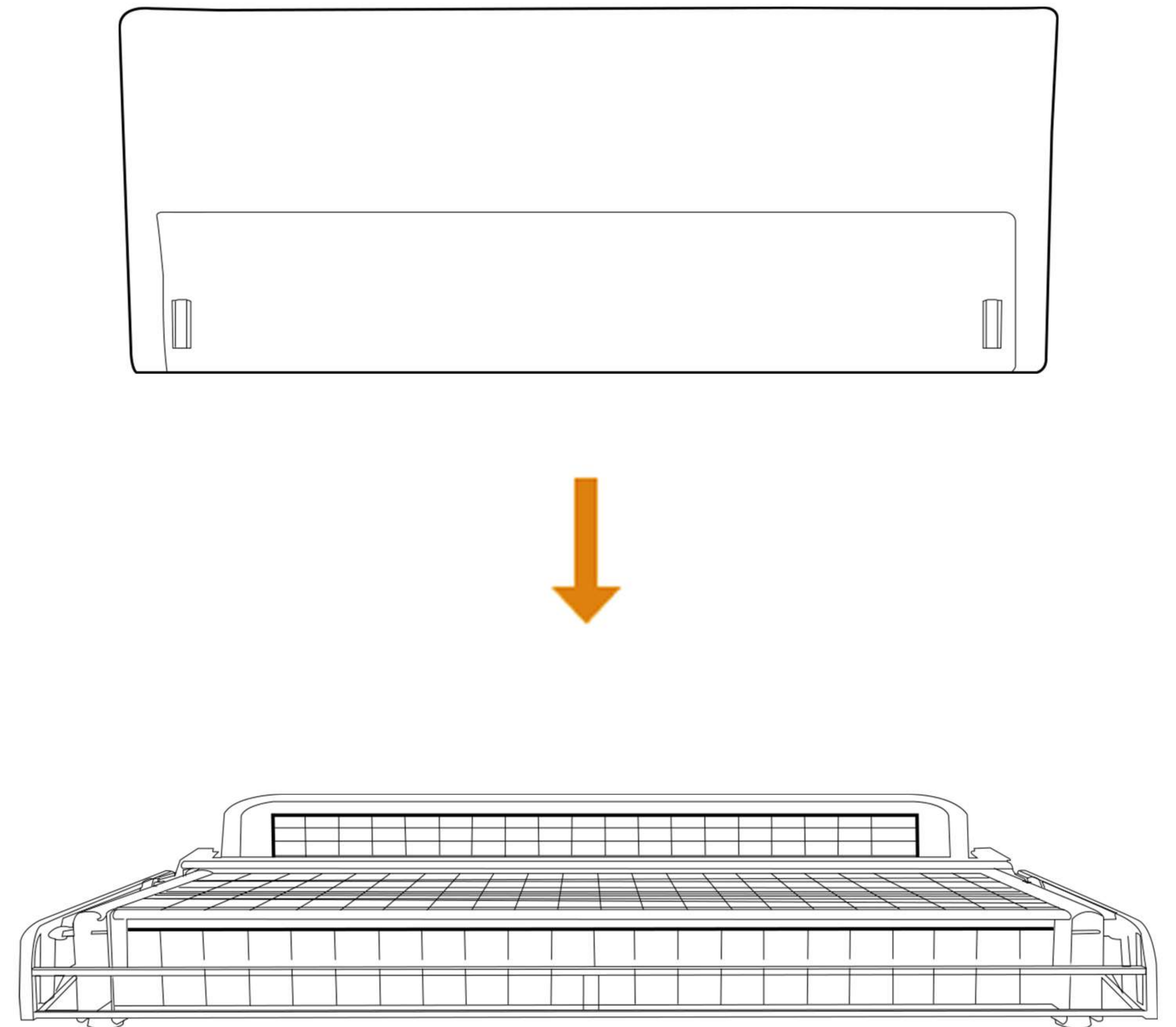
**ASSEMBLY INSTRUCTIONS**

**step 1** First, tighten the four corners of the frame and make them flush.



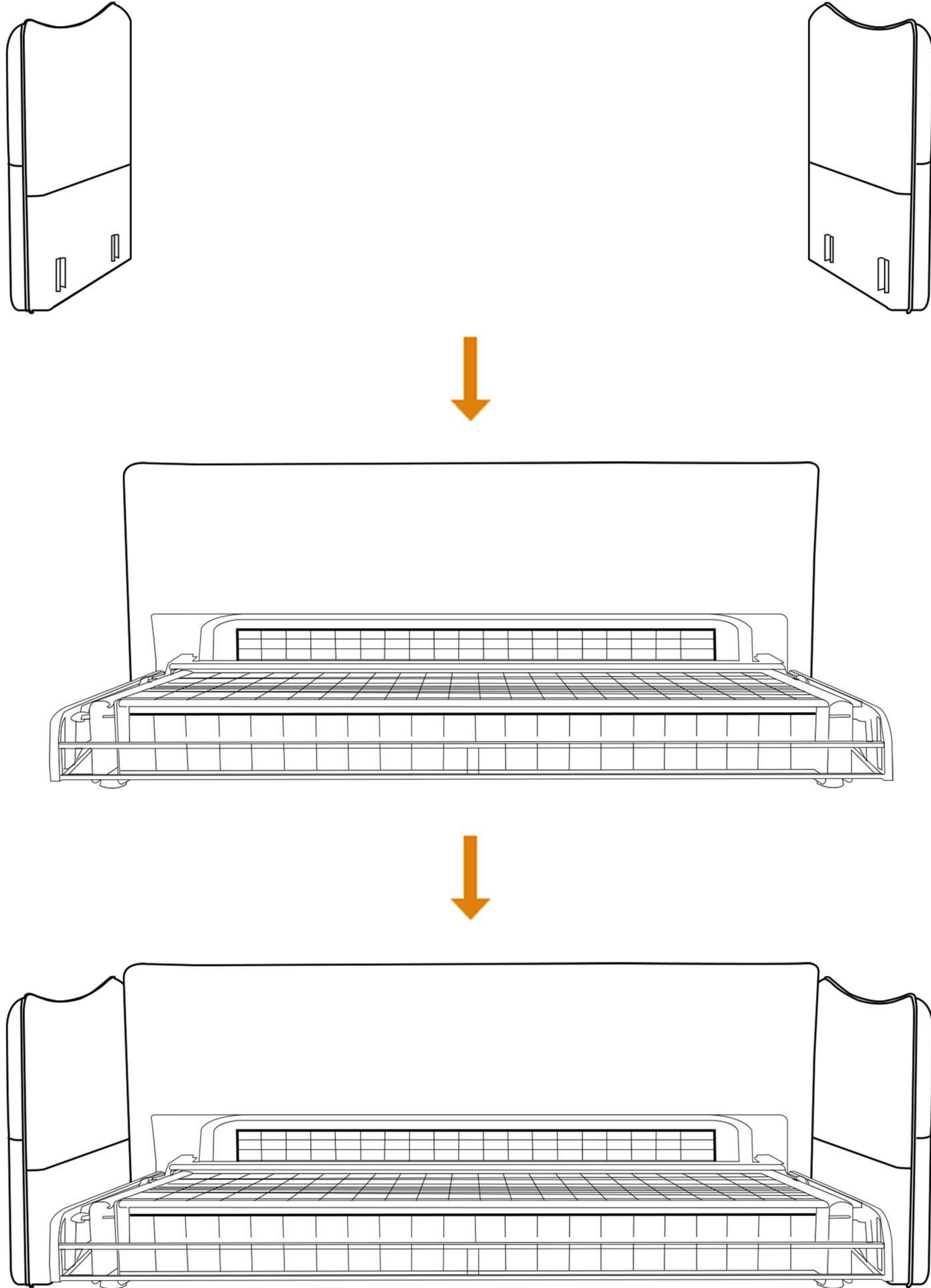
**ASSEMBLY INSTRUCTIONS**

**step 2** Install the high back. Insert the buckles on the backrest into the corresponding slots on the base.



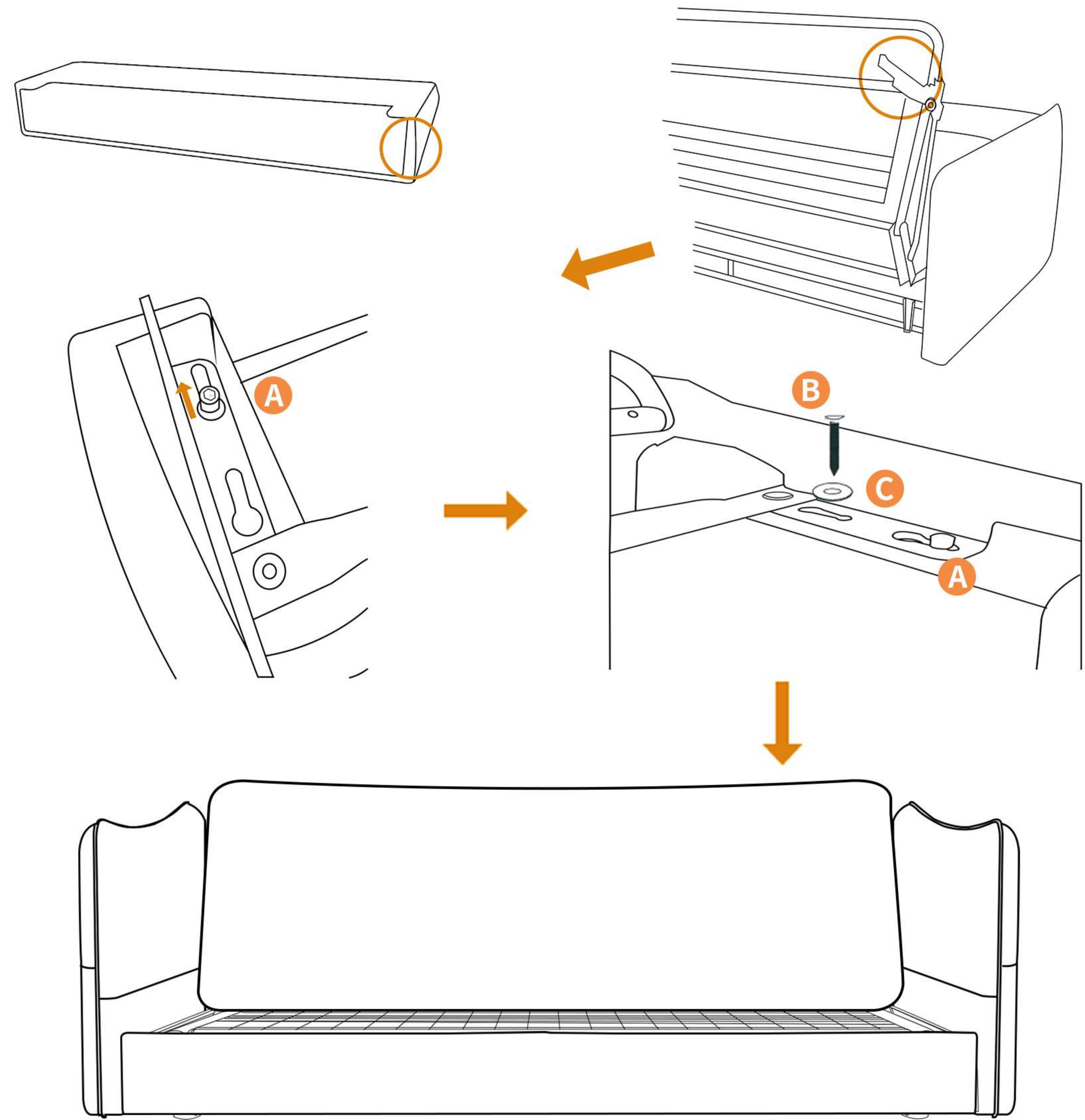
## ASSEMBLY INSTRUCTIONS

**step 3** Install two handrails.  
Insert the buckles on the handrails into the corresponding slots on the base.



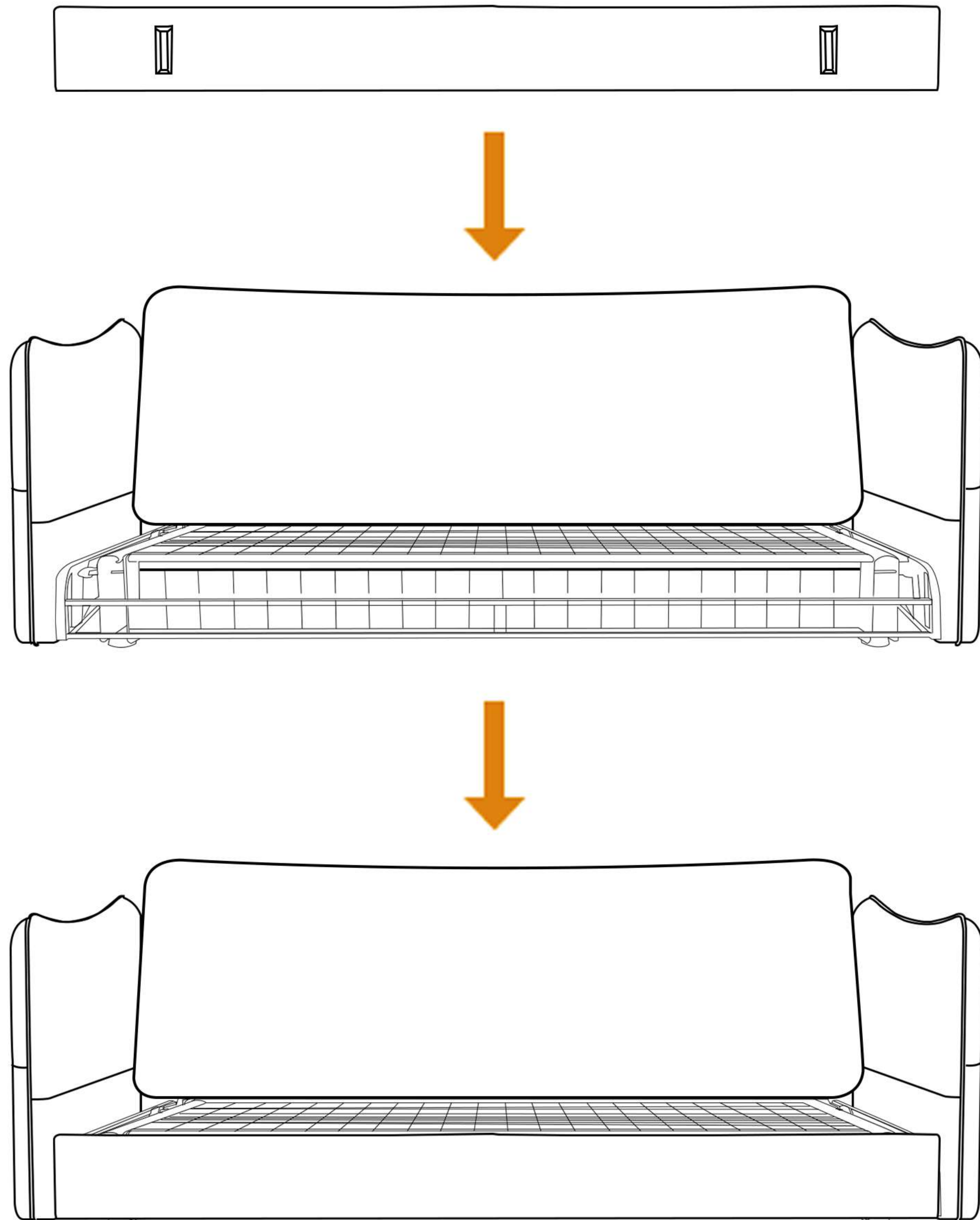
## ASSEMBLY INSTRUCTIONS

**step 4** Find the reserved holes at both ends of the short backrest. Screw a screw into each hole (do not tighten it completely at first), lift the mattress part on the base (vertically placed for easy installation), align the screws on the short backrest with the elongated holes on the mattress frame, and use a drill to tighten the screws. Then, screw two more screws into the holes next to the screw to strengthen the fixation.



## ASSEMBLY INSTRUCTIONS

**step 5** Install front baffle.  
It is also inserted into the corresponding slot in the same way.



## ASSEMBLY INSTRUCTIONS

**step 6** Mounting base.  
Half raise the frame, then put the seat cushion on the frame, find the zipper at the back and zip it up

