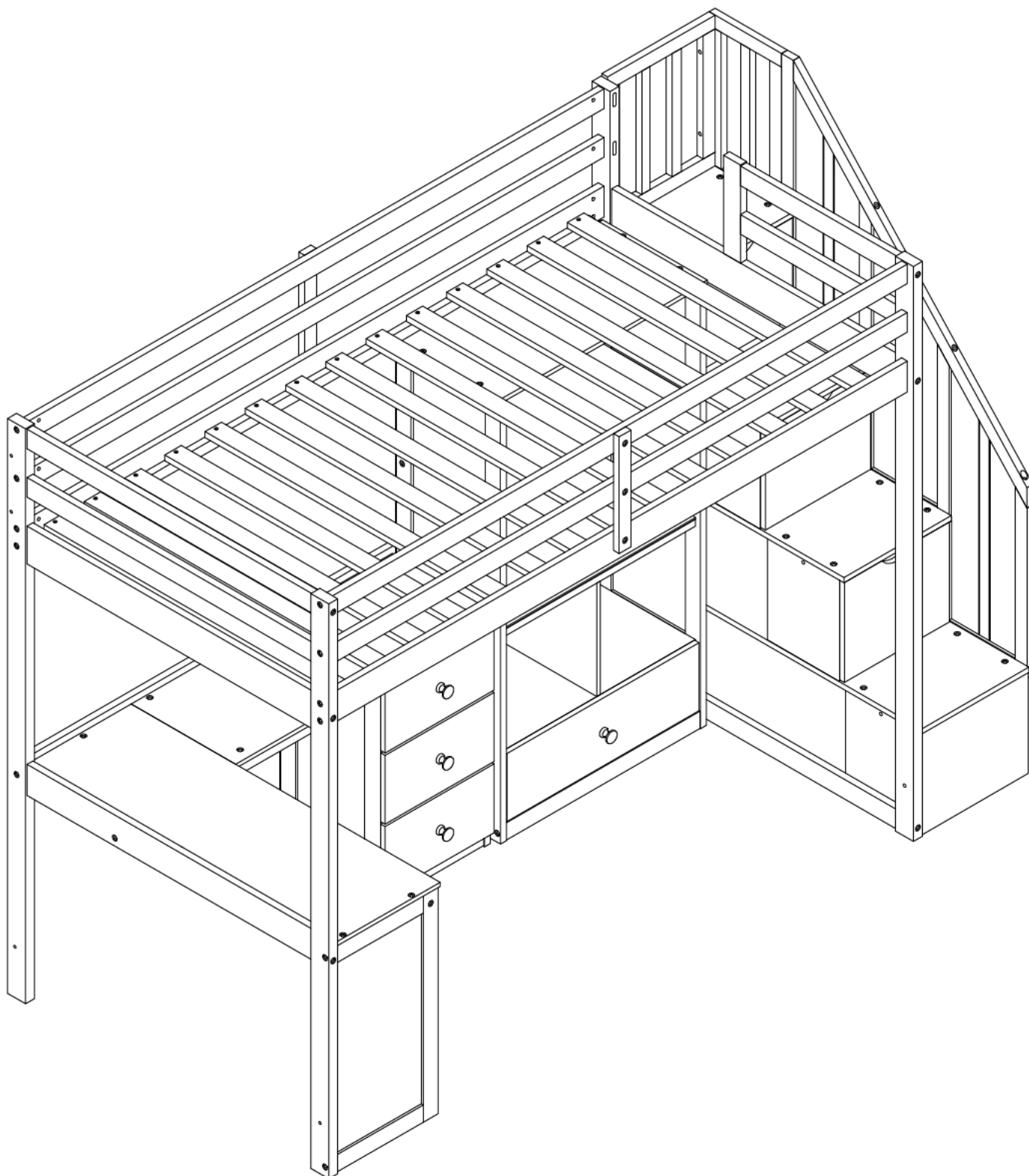


ASSEMBLY INSTRUCTION

This set is included 3 boxes if don't receive full 3 boxes please contact our customer service team



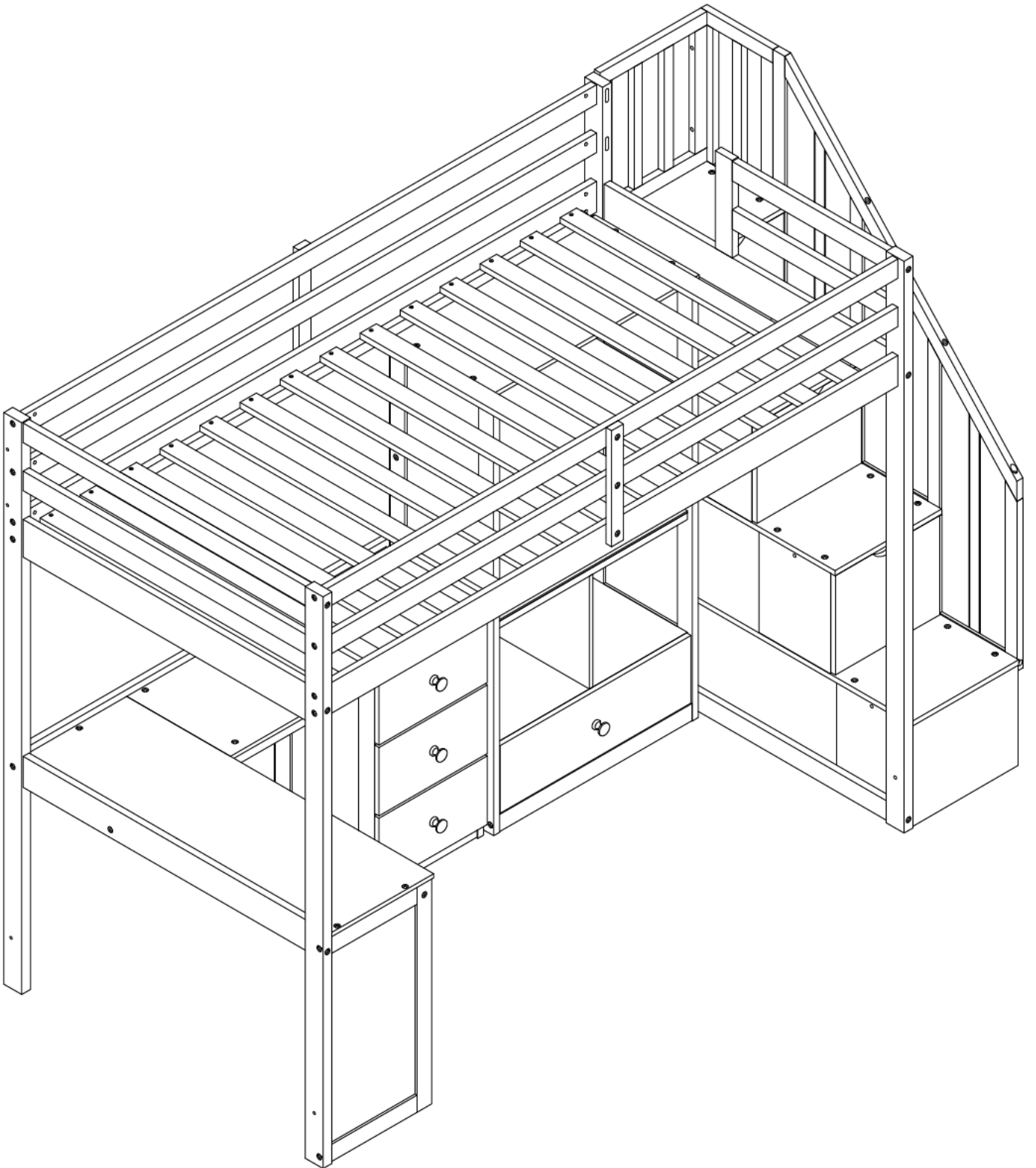
! SAFETY WARNINGS !

1. This bed is designed for use only mattress (es) meeting the following specifications on the upper bunk, and lower bunk

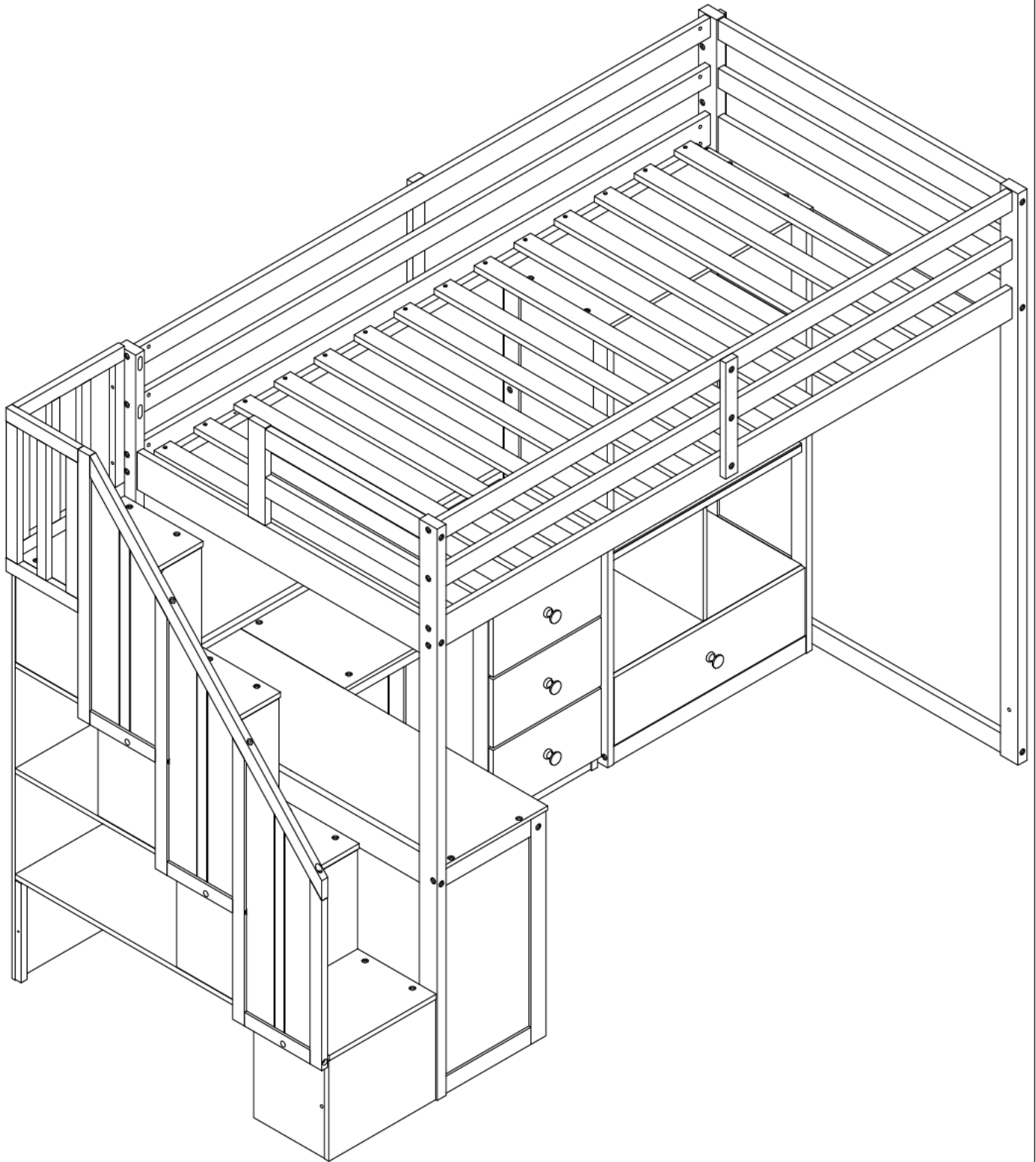
Upper bed Bed Type	Length	Width	Thickness
<i>Twin Standard</i>	<i>74" - 75"</i>	<i>38 1/2"</i>	<i>6" max</i>

2. Replacement parts, including additional guardrails, may be obtained from any of our dealers
3. Follow the information on the warnings appearing on the upper bunk bed end structure and on the carton. Do not remove warning label from bed
4. Always use the recommended size mattresses or mattress supports, or both, to help prevent the likelihood of entrapment or falls.
5. Surface of mattress must be at least 5" (127mm) below the upper edge of guardrails
6. Do not allow children under 6 years of age to use the upper bunk.
7. Periodically check and ensure that the guardrail, ladder, and other components are in their proper position, free from damage, and that all connectors are tight.
8. Do not allow horseplay on or under the bed and prohibit jumping on the bed.
9. Always use the ladder for entering and leaving the upper bunk. Always use the ladder for entering and leaving the upper bunk.
10. Do not use substitute part. Contact the manufacturer or dealer for replacement part
11. Use of a night light may provide added safety precaution for a child using the upper bunk.
12. Always use guardrails on both long sides of the upper bunk. If the bunk bed will be placed next to the wall, the guardrail that runs the full length of the bed should be placed against the wall to prevent entrapment between the bed and wall.
13. The use of water or sleep flotation mattresses is prohibited
14. **STRANGULATION HAZARD** - Never attach or hang items to any part of the bunk bed that are not designed for use with the bed; for example, but not limited to, hook, belts and jump ropes
15. Keep these instructions for future reference
16. Prohibit more than one person on upper bunk
17. We recommend assembling your bunk bed on the shipping carton to protect your floor or carpet
18. Be certain all staples are out of the box before beginning assembly on the shipping carton.

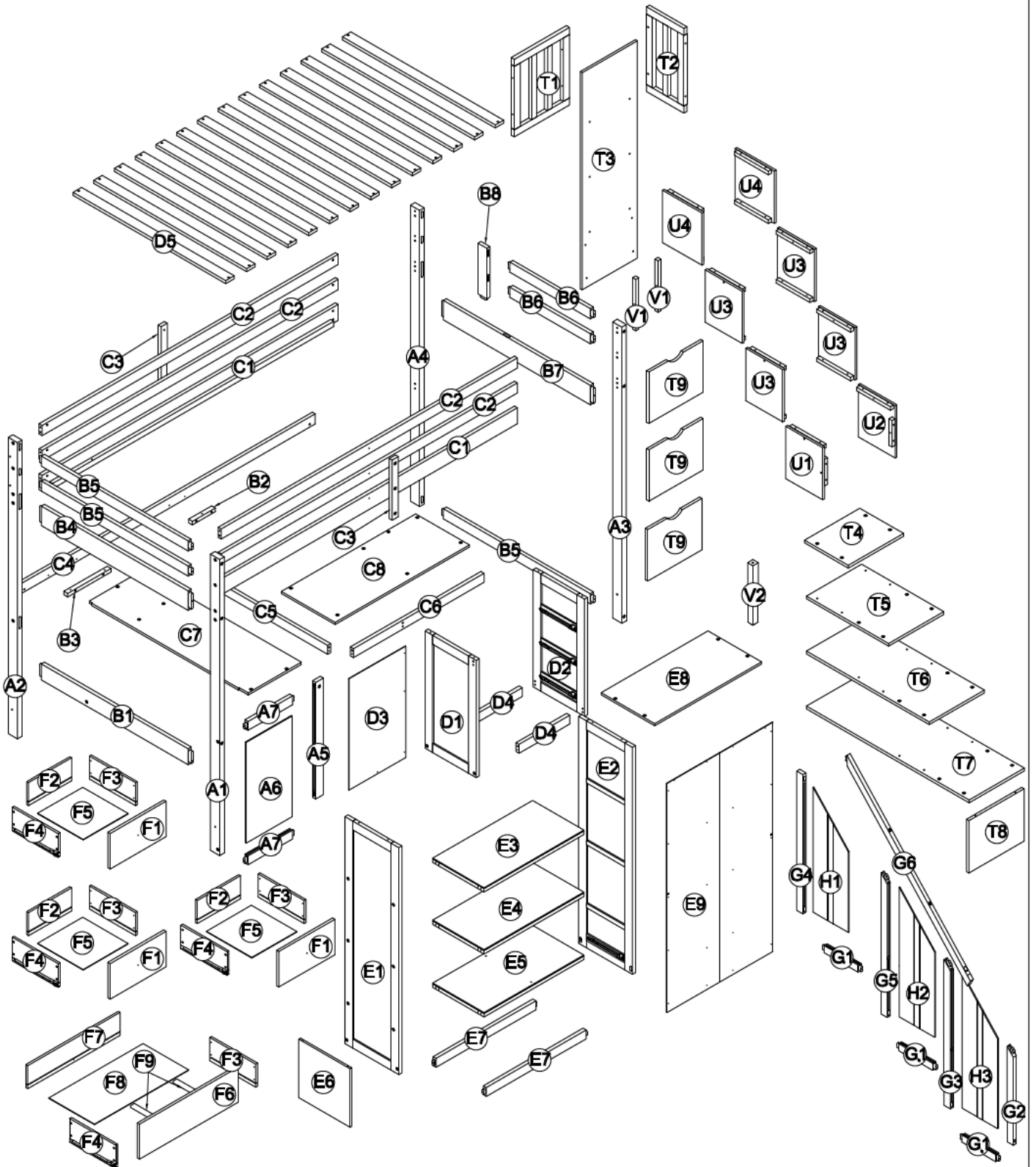
OPTION 1: STAIR IN RIGHT




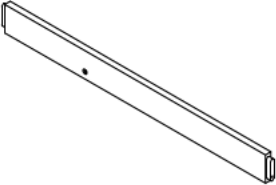
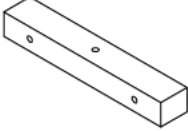
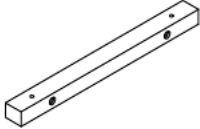
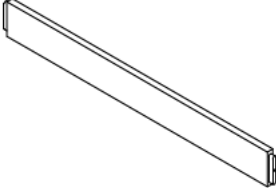





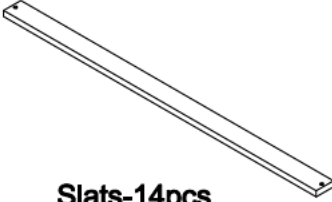
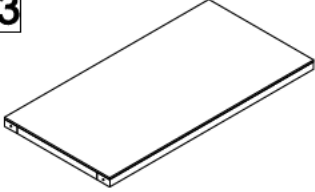
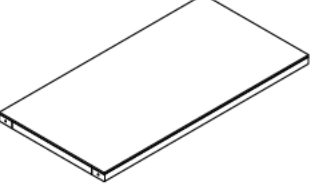
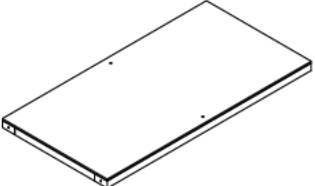
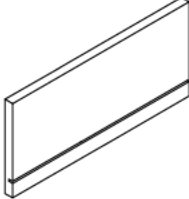
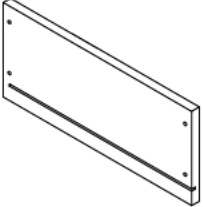
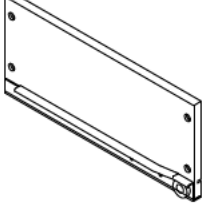
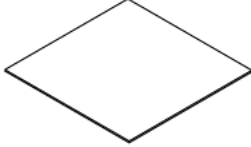
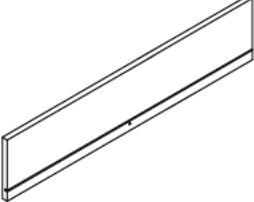
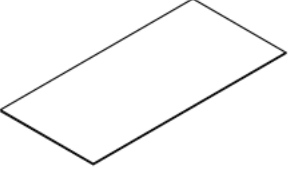
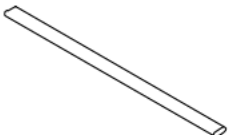
OPTION 2: STAIR IN LEFT






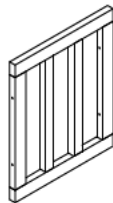
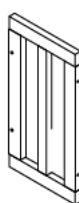
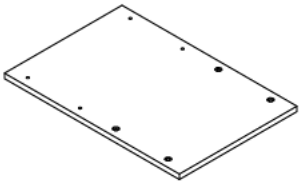
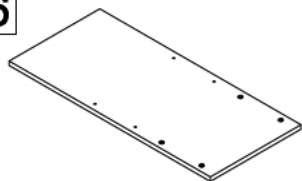
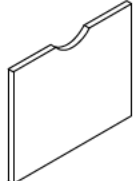


ASSEMBLY INSTRUCTION








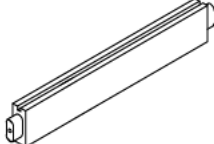
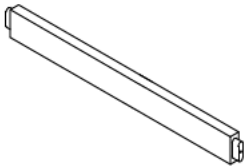

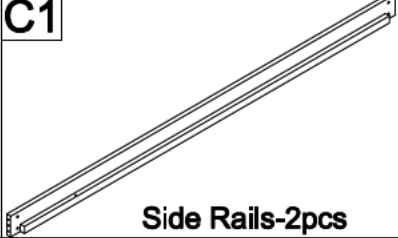
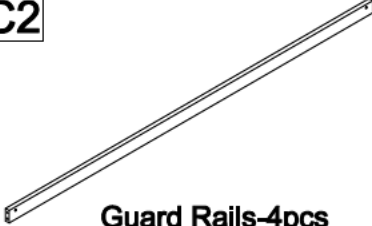

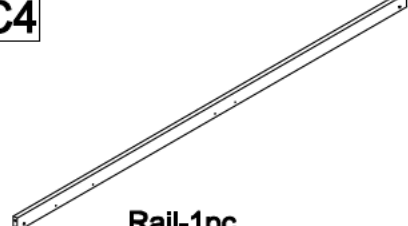
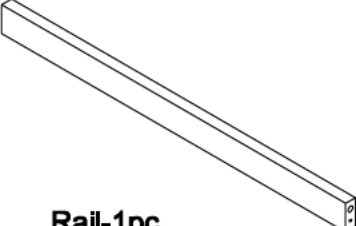
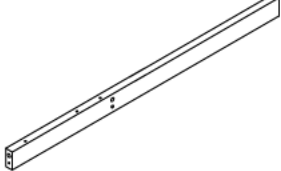
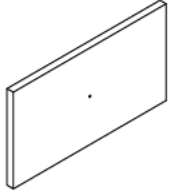
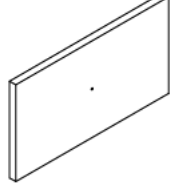
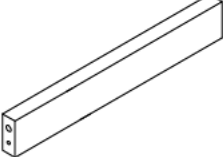
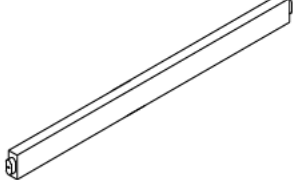
Part List & Hardware List (Box 1-WF301047)

<p>A6</p>  <p>Panel-1pc</p>	<p>B1</p>  <p>Wood bar-1pc</p>	<p>B2</p>  <p>Client-1pc</p>
<p>B3</p>  <p>Client-1pc</p>	<p>B4</p>  <p>Wood bar-1pc</p>	<p>B5</p>  <p>Wood bars-3pcs</p>
<p>B7</p>  <p>Wood bar-1pc</p>	<p>D1</p>  <p>Frame-1pc</p>	<p>D2</p>  <p>Frame-1pc</p>
<p>D3</p>  <p>Frame-1pc</p>	<p>D5</p>  <p>Slats-14pcs</p>	<p>E3</p>  <p>Panel-1pc</p>
<p>E4</p>  <p>Panel-1pc</p>	<p>E5</p>  <p>Panel-1pc</p>	<p>F2</p>  <p>Drawer-Back panels-3pcs</p>
<p>F3</p>  <p>Drawer-Side panels-4pcs</p>	<p>F4</p>  <p>Drawer-Side panels-4pcs</p>	<p>F5</p>  <p>Drawer-Bottom panels-3pcs</p>
<p>F7</p>  <p>Drawer-Back panel-1pc</p>	<p>F8</p>  <p>Drawer-Bottom panel-1pc</p>	<p>F9</p>  <p>Drawer-Sup Bottom panels-2pcs</p>


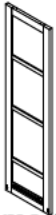
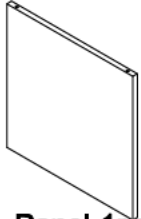
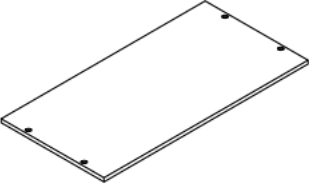
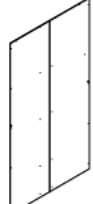
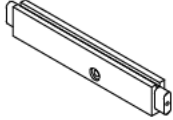





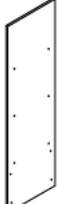
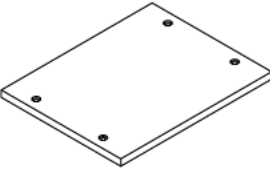
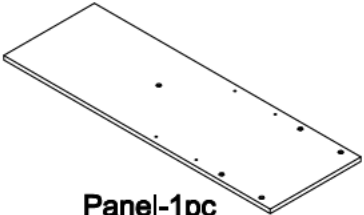
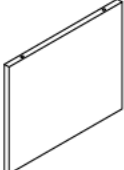
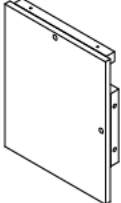
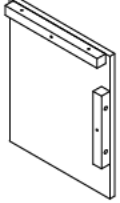
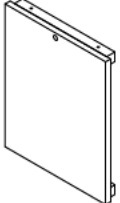
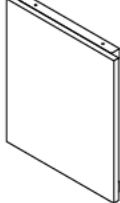

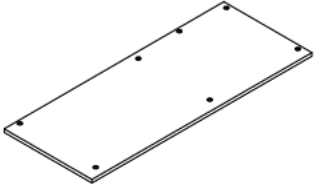
Part List & Hardware List (Box1-WF301047)

H1  Panel-1pc	H2  Panel-1pc	H3  Panel-1pc
T1  Back Frame-1pc	T2  Side Frame-1pc	T5  Panel-1pc
T6  Panel-1pc	T9  Door Panels-3pcs	V1  Clients-2pcs
V2  Center leg-1pc		





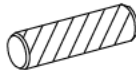
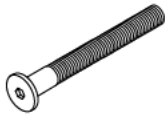

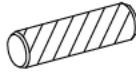

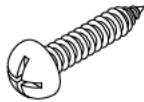

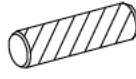

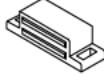
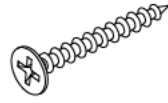






Part List (Box 2-WF301048)

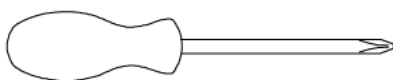
<p>A1</p>  <p>Leg-1pc</p>	<p>A2</p>  <p>Leg-1pc</p>	<p>A3</p>  <p>Leg-1pc</p>
<p>A4</p>  <p>Leg-1pc</p>	<p>A5</p>  <p>Leg(Table)-1pc</p>	<p>A7</p>  <p>Wood bars-2pcs</p>
<p>B6</p>  <p>Wood bars-2pcs</p>	<p>B8</p>  <p>Wood bar-1pc</p>	<p>C1</p>  <p>Side Rails-2pcs</p>
<p>C2</p>  <p>Guard Rails-4pcs</p>	<p>C3</p>  <p>Rails-2pcs</p>	<p>C4</p>  <p>Rail-1pc</p>
<p>C5</p>  <p>Rail-1pc</p>	<p>C6</p>  <p>Rail-1pc</p>	<p>F6</p>  <p>Drawer-Front panel-1pc</p>
<p>F1</p>  <p>Drawer-Front panels-3pcs</p>	<p>D4</p>  <p>Wood bars-2pcs</p>	<p>E7</p>  <p>Wood bars-2pcs</p>

Part List (Box 3-WF301049)

<p>E1</p>  <p>Frame-1pc</p>	<p>E2</p>  <p>Frame-1pc</p>	<p>E6</p>  <p>Panel-1pc</p>
<p>E8</p>  <p>Top Panel-1pc</p>	<p>E9</p>  <p>Back Panel-1pc</p>	<p>G1</p>  <p>Rails-3pcs</p>
<p>G2</p>  <p>Rail-1pc</p>	<p>G3</p>  <p>Rail-1pc</p>	<p>G4</p>  <p>Rail-1pc</p>
<p>G5</p>  <p>Rail-1pc</p>	<p>G6</p>  <p>Rail-1pc</p>	<p>T3</p>  <p>Back panel-1pc</p>
<p>T4</p>  <p>Panel-1pc</p>	<p>T7</p>  <p>Panel-1pc</p>	<p>T8</p>  <p>Panel-1pc</p>
<p>U1</p>  <p>Side Frame-1pc</p>	<p>U2</p>  <p>Side Frame-1pc</p>	<p>U3</p>  <p>Side Frames-4pcs</p>
<p>U4</p>  <p>Side Frames-2pcs</p>	<p>C7</p>  <p>Panel(Table)-1pc</p>	<p>C8</p>  <p>Panel(Table)-1pc</p>

Hardware List(Box 1-WF301047)

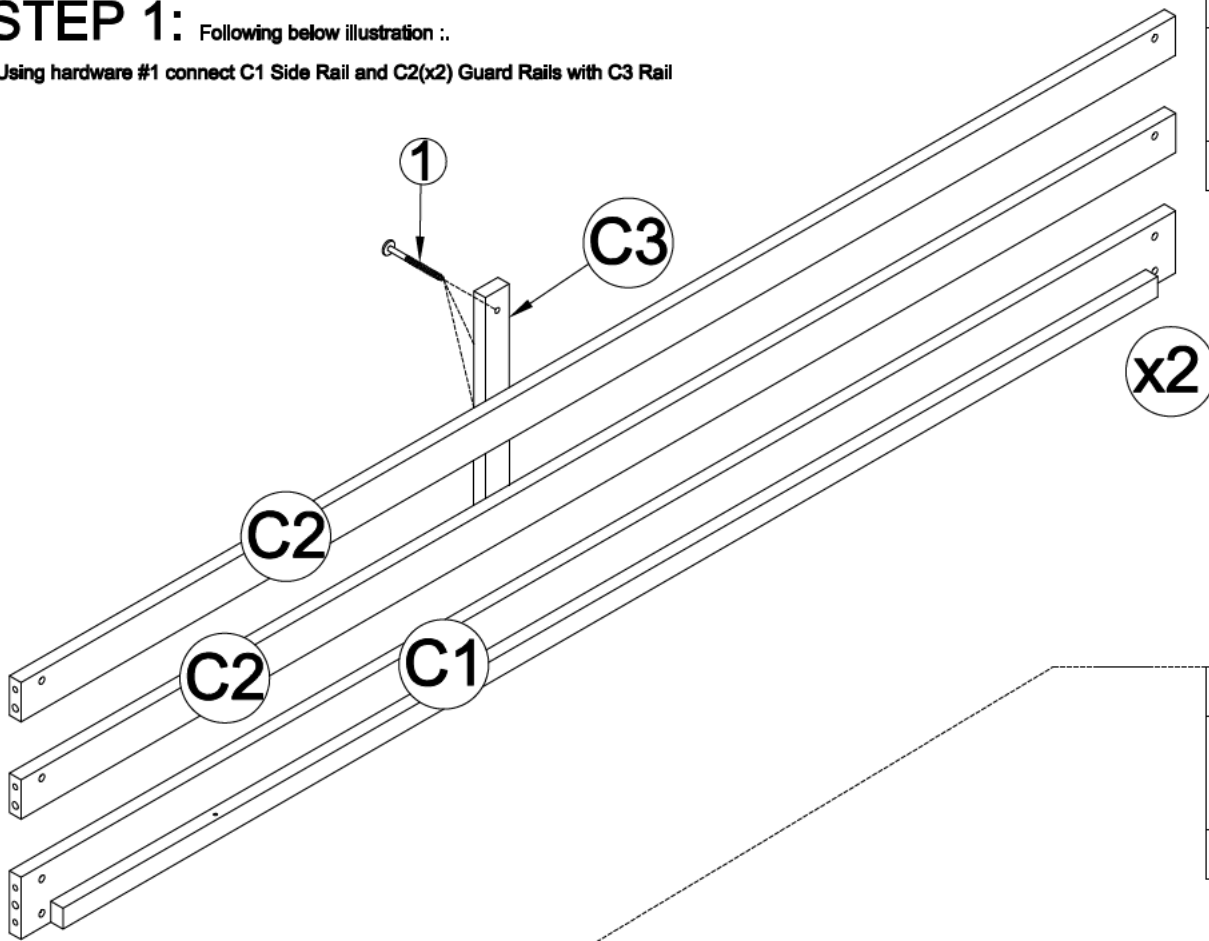
<p>1</p>  <p>Screws 1/4" x30 50pcs</p>	<p>2</p>  <p>M4 x 35 mm Wood Screws 4pcs</p>	<p>3</p>  <p>Screws 1/4" x100 1pc</p>
<p>4</p>  <p>Screws 1/4" x80 11pcs</p>	<p>5</p>  <p>Ø10 x 40 mm Wood dowel 14pcs</p>	<p>6</p>  <p>Ø1/4" x 80 mm Hex-Head bolts 18pcs</p>
<p>7</p>  <p>Ø1/4" x 13 mm Horizontal-Hole bolts 24pcs</p>	<p>8</p>  <p>Ø8 x 30 mm Wood dowel 10pcs</p>	<p>9</p>  <p>Screws 1/4" x50 14pcs</p>
<p>10</p>  <p>M4 x 15 mm Wood Screws 44pcs</p>	<p>11</p>  <p>M4 x 30 mm Wood Screws 62pcs</p>	<p>12</p>  <p>Ø6 x 30 mm Wood dowel 4pcs</p>
<p>13</p>  <p>Screws 1/4" x40 37pcs</p>	<p>14</p>  <p>Door Catches 45x17x13 6pcs</p>	<p>15</p>  <p>M3 x 12 mm Wood Screws 18pcs</p>
<p>16</p>  <p>Ø1/4" x 25 mm Hex-Head bolts 5pcs</p>	<p>17</p>  <p>Ø1/4" x 60 mm Hex-Head bolts 6pcs</p>	<p>18</p>  <p>Handle Wood 4pcs</p>
<p>19</p>  <p>Ø1/6" x 25 mm Hex-Head bolts 4pcs</p>	<p>20</p>  <p>Allen Key 1pc</p>	<p>21</p>  <p>Screws 1/4" x60 8pcs</p>





Assembly Tools Required (Not Included)

STEP 1: Following below illustration ..

-Using hardware #1 connect C1 Side Rail and C2(x2) Guard Rails with C3 Rail

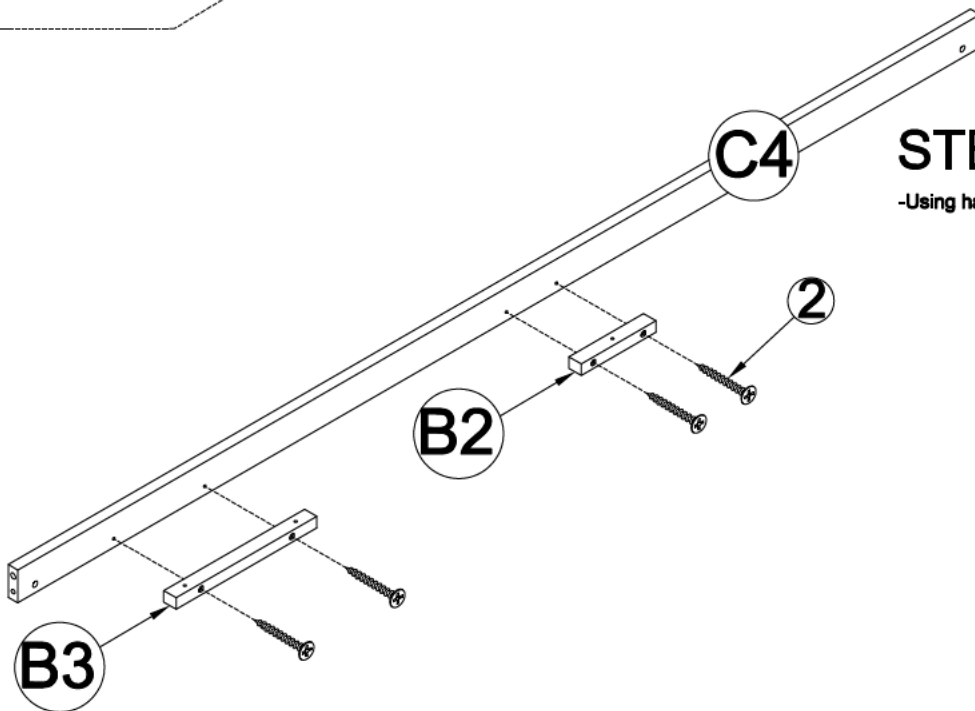


1	
6pcs	



2	
4pcs	

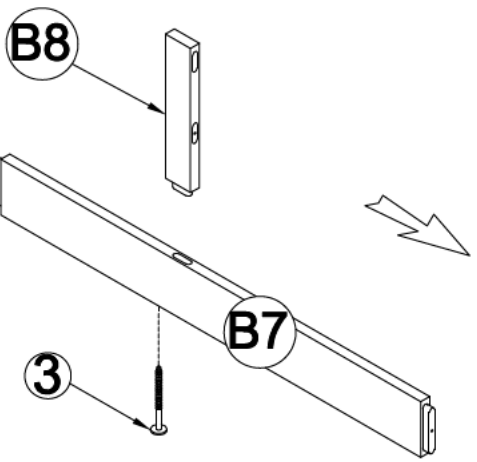
STEP 2: Following below illustration ..

-Using hardware #2 connect C4 Rail with B2,B3 Client



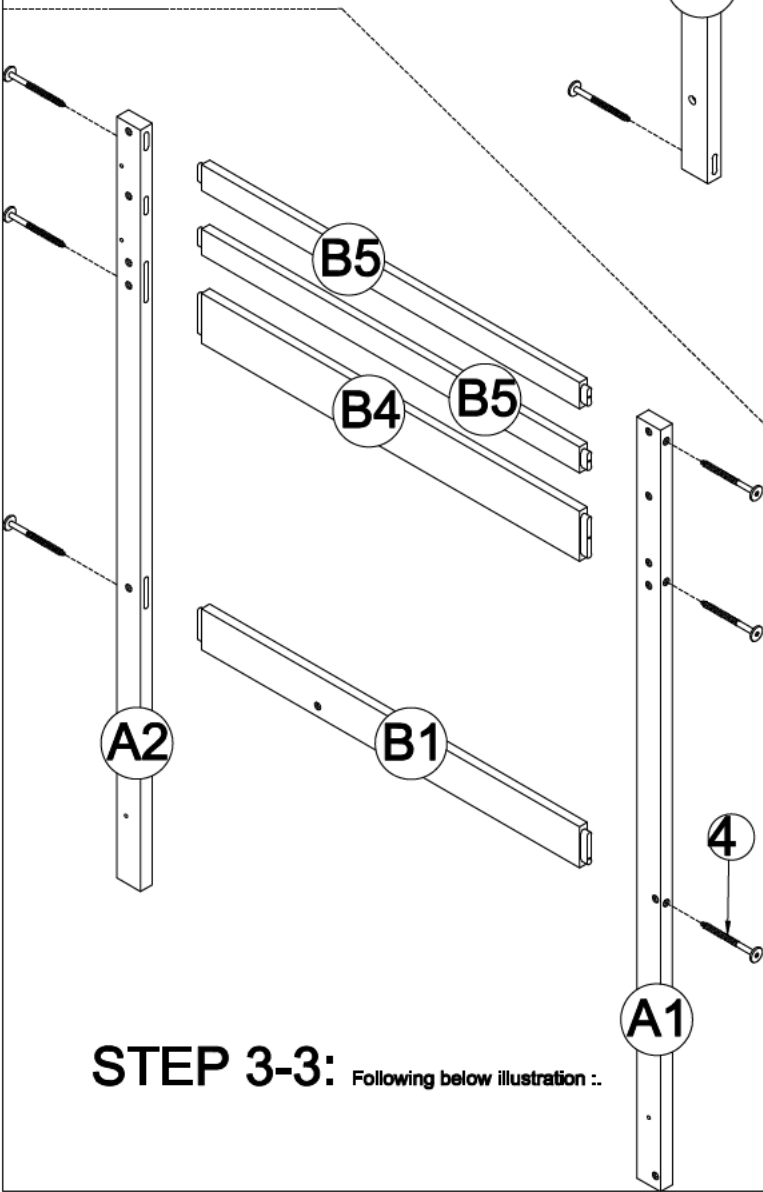
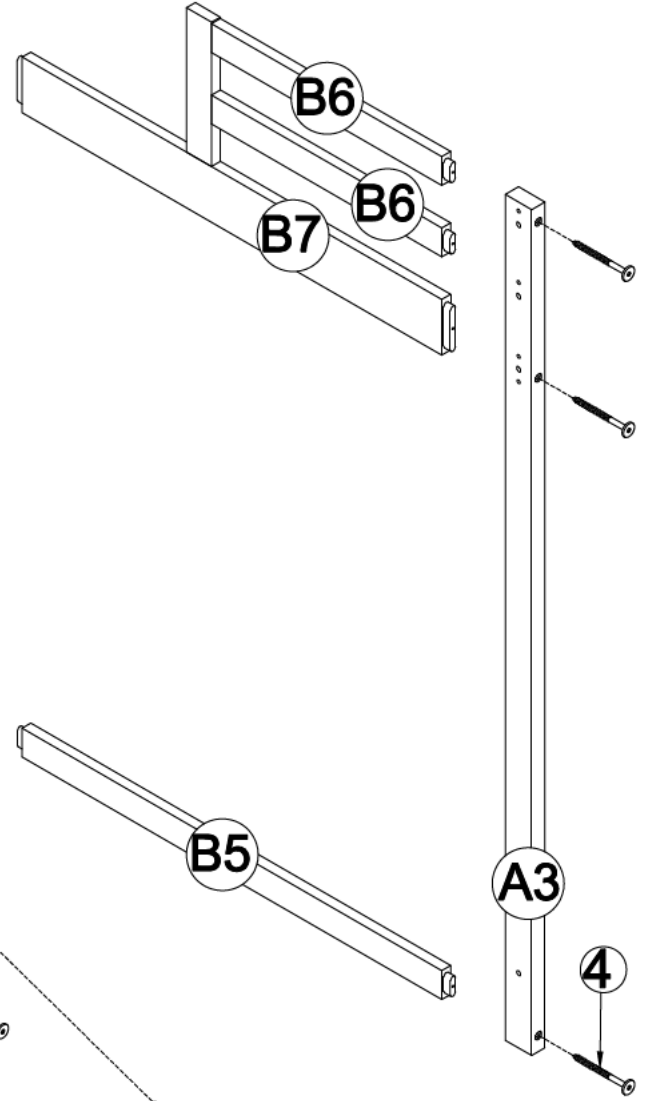
STEP 3-OPTION 1

4	3
	
5pcs	1pc




STEP 3-1: Following below illustration .:



STEP 3-2: Following below illustration .:

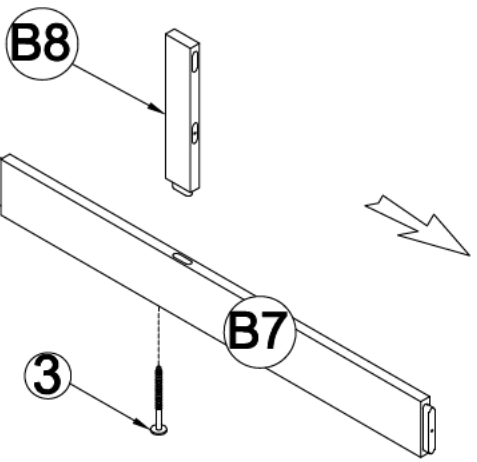


STEP 3-3: Following below illustration .:

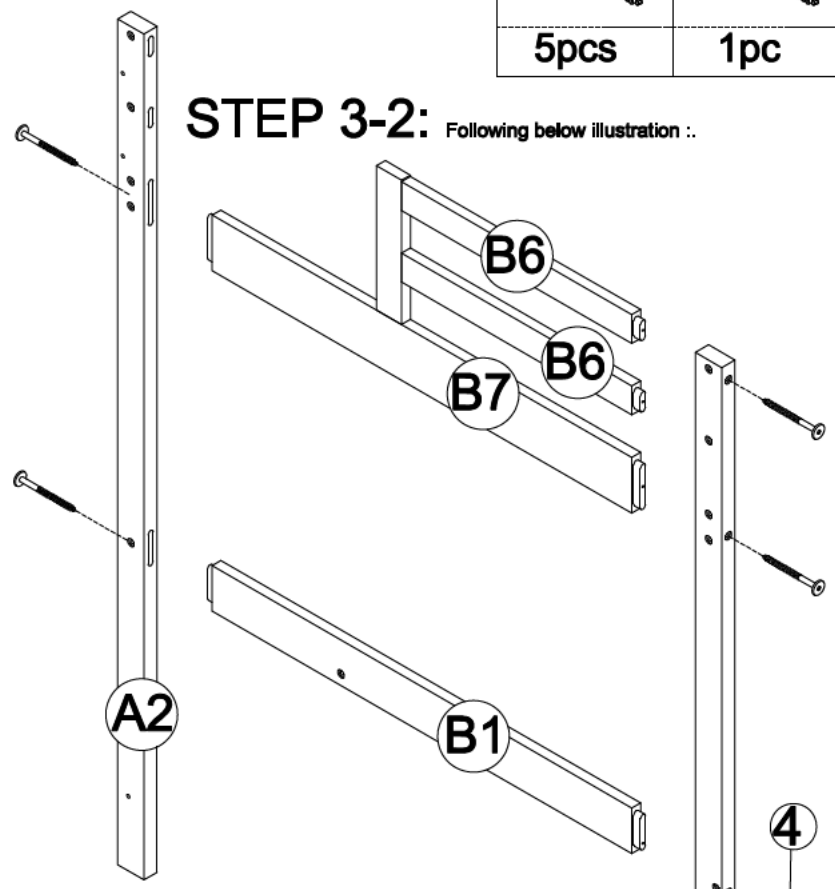
4

5pcs

STEP 3-OPTION 2

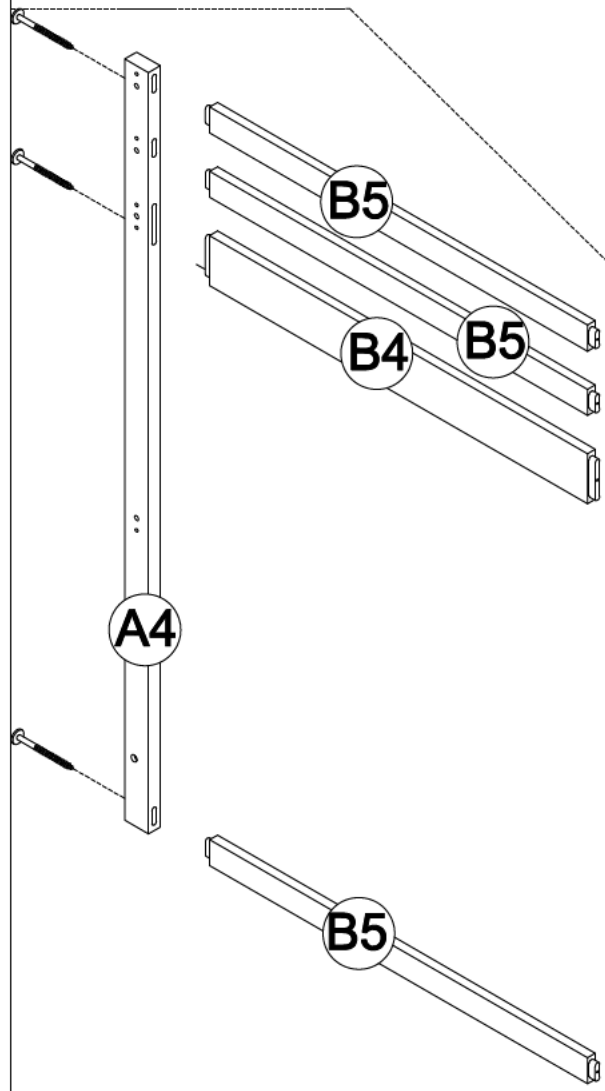
4	3
	
5pcs	1pc




STEP 3-2: Following below illustration :

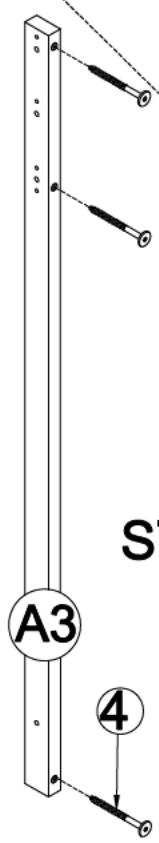


STEP 3-1: Following below illustration :



4

6pcs

STEP 3-3: Following below illustration :



STEP 5:

Following below illustration:

Using hardware #13 and dowel #8 to Assembly Frame (completed on step 4)
with C6 Wood Bar and D1 Frame

Look at detail view for more detail

8

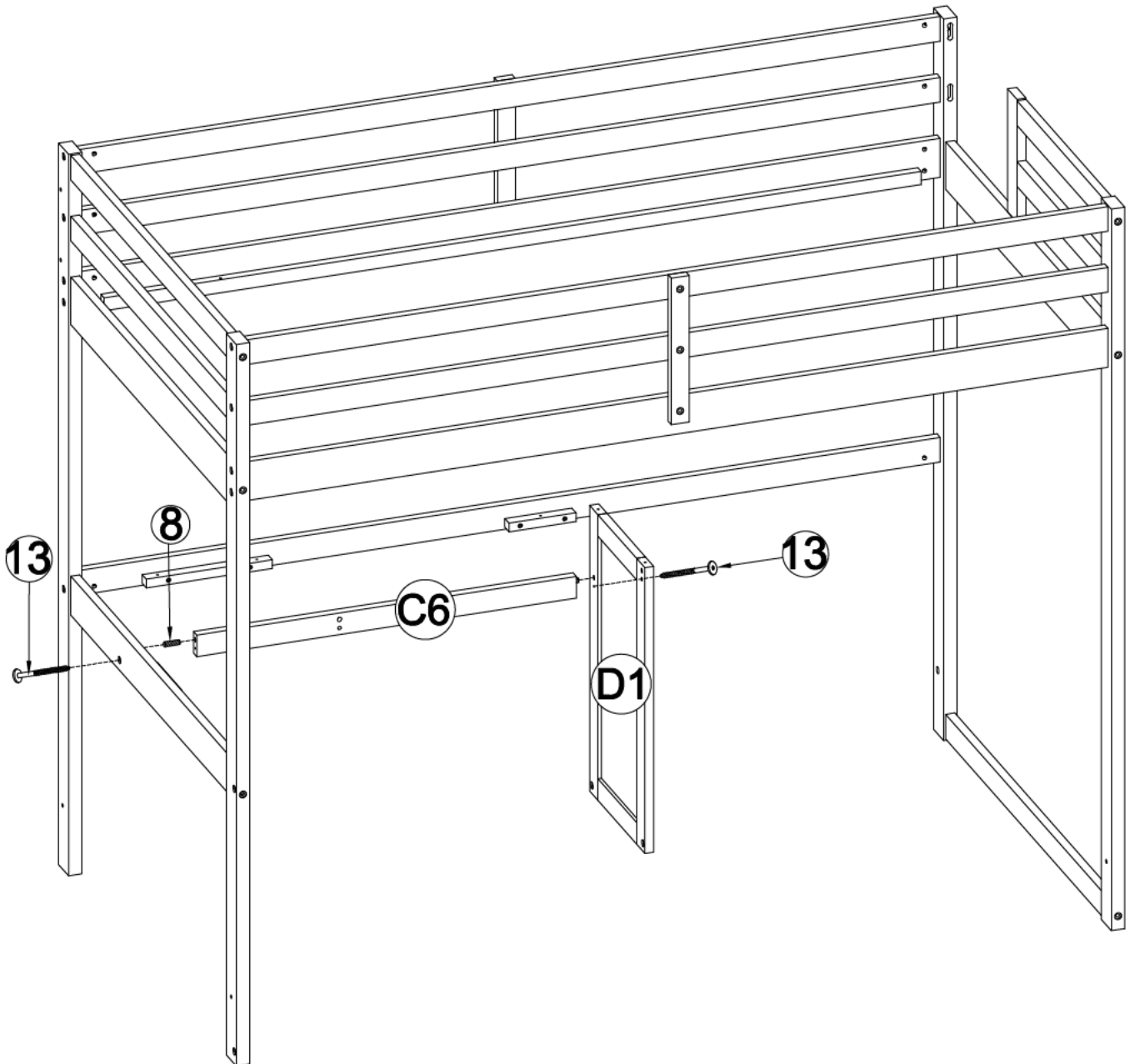


2pcs

13



2pcs



STEP 6:

Following below illustration:

Using hardware #13 and dowel #8 to Assembly Frame (completed on step 5)
with D4(x2) Wood Bar and D2 Frame

Look at detail view for more detail

8

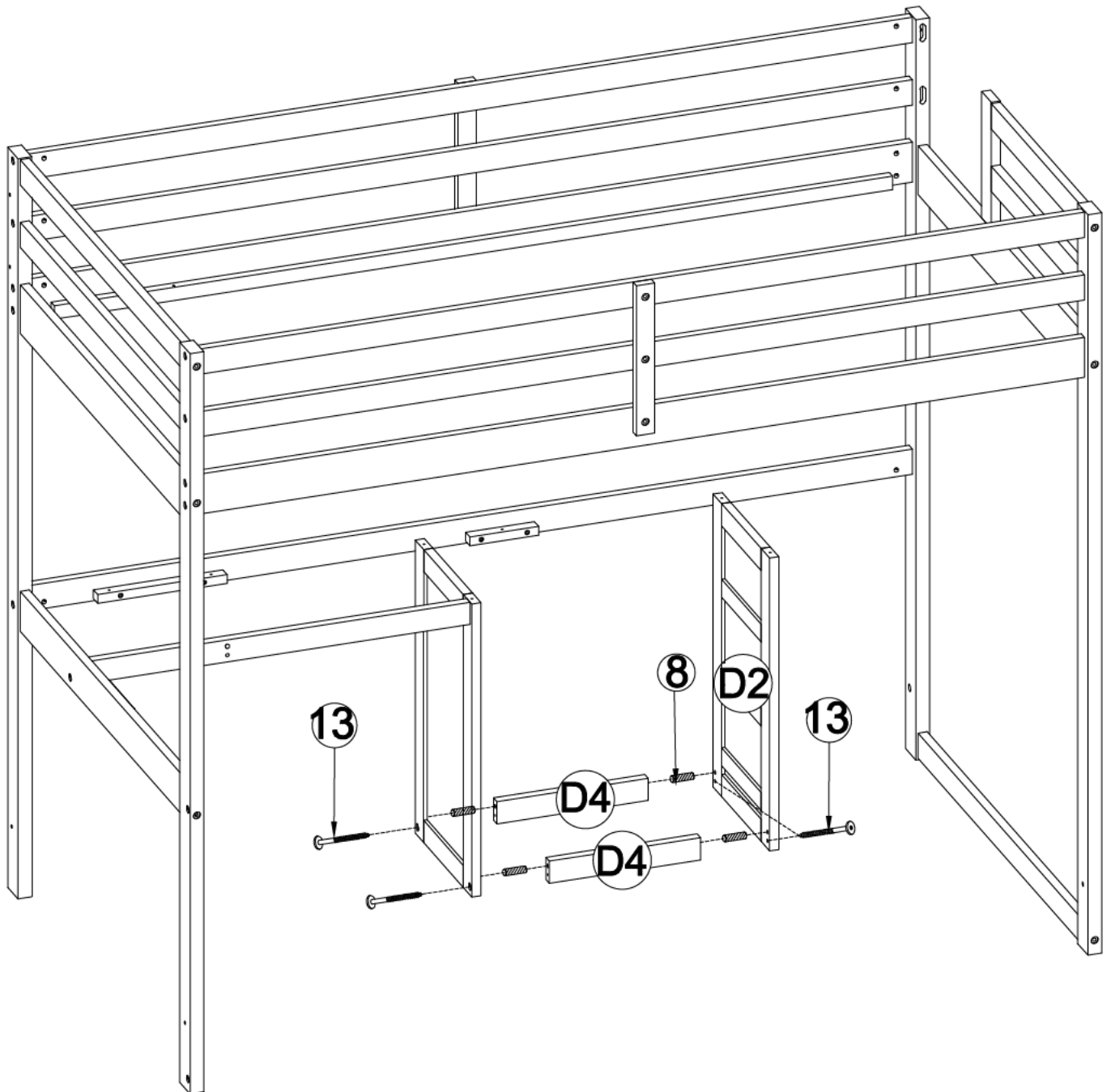


4pcs

13





4pcs

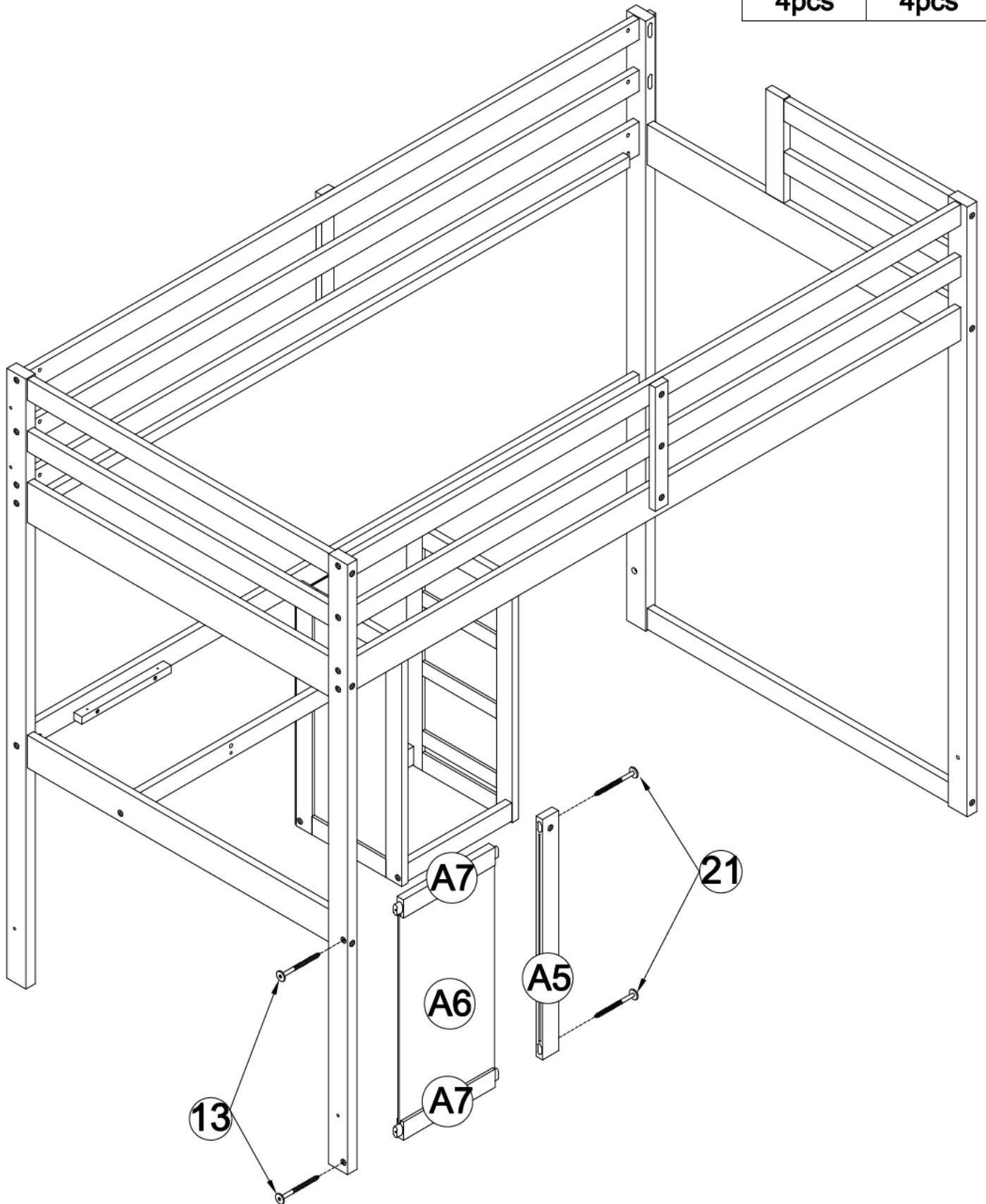


STEP 7:

Following below illustration:

Using hardware #13,#21 to Assembly Frame (completed on step 6) with A7(x2),A5 Wood Bars and A6 Panel.Look at detail view for more detail

21	13
	
4pcs	4pcs



STEP 8:

Following below illustration:

Using hardware #13 and dowel #8 to Assembly Frame (completed on step 7) with C5 Wood Bar

Look at detail view for more detail

8

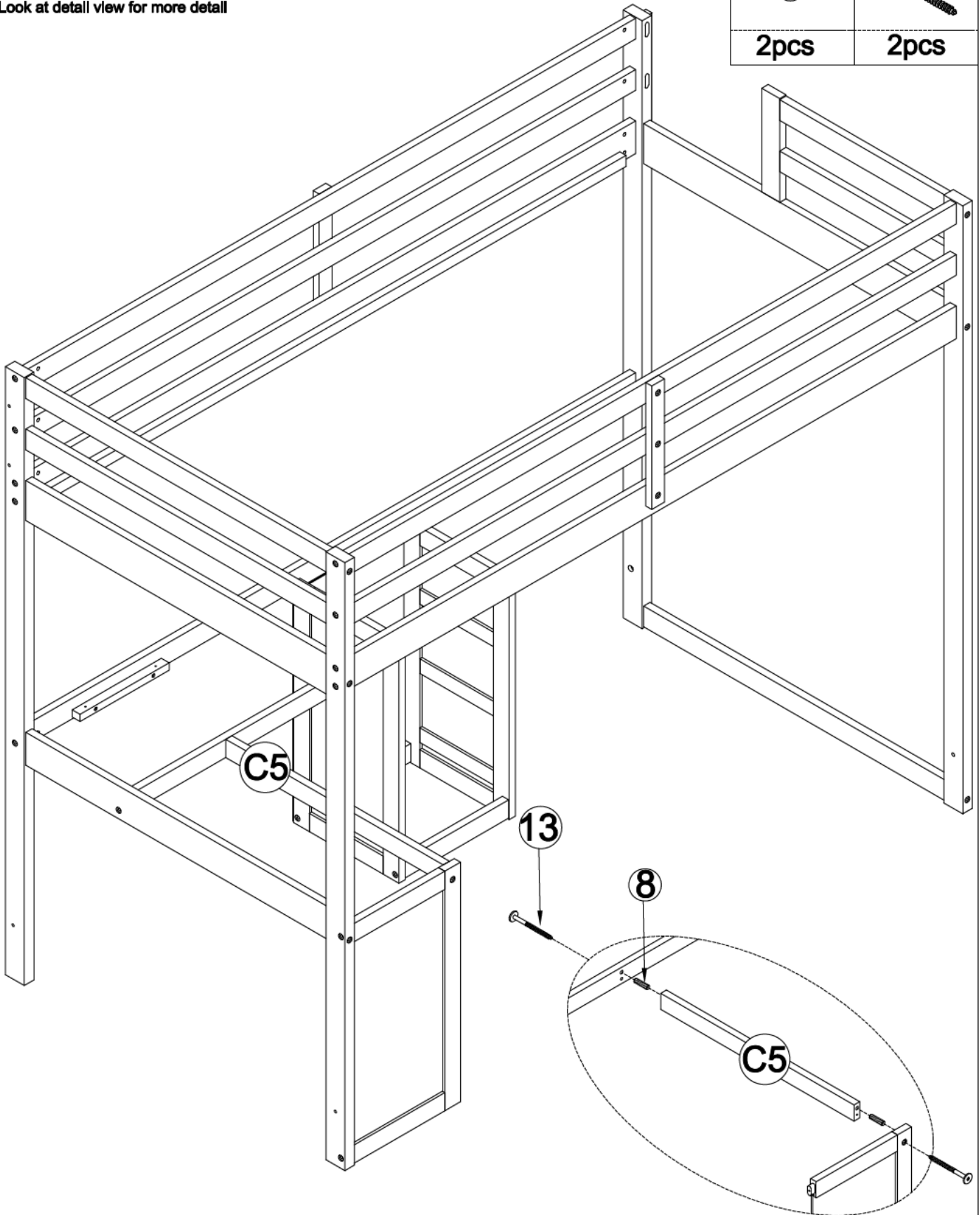


2pcs

13



2pcs



1



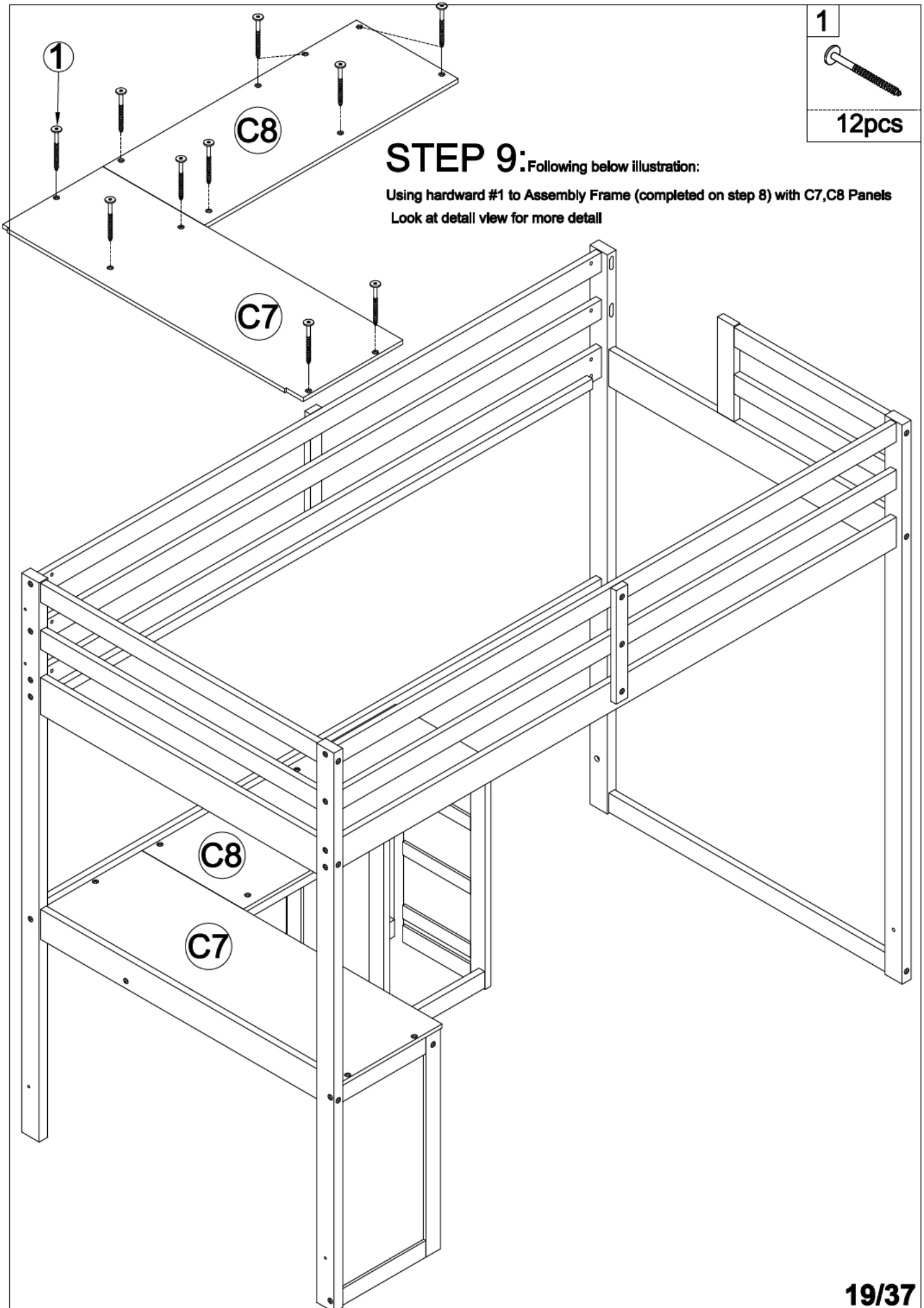
12pcs

STEP 9:

Following below illustration:

Using hardware #1 to Assembly Frame (completed on step 8) with C7,C8 Panels

Look at detail view for more detail



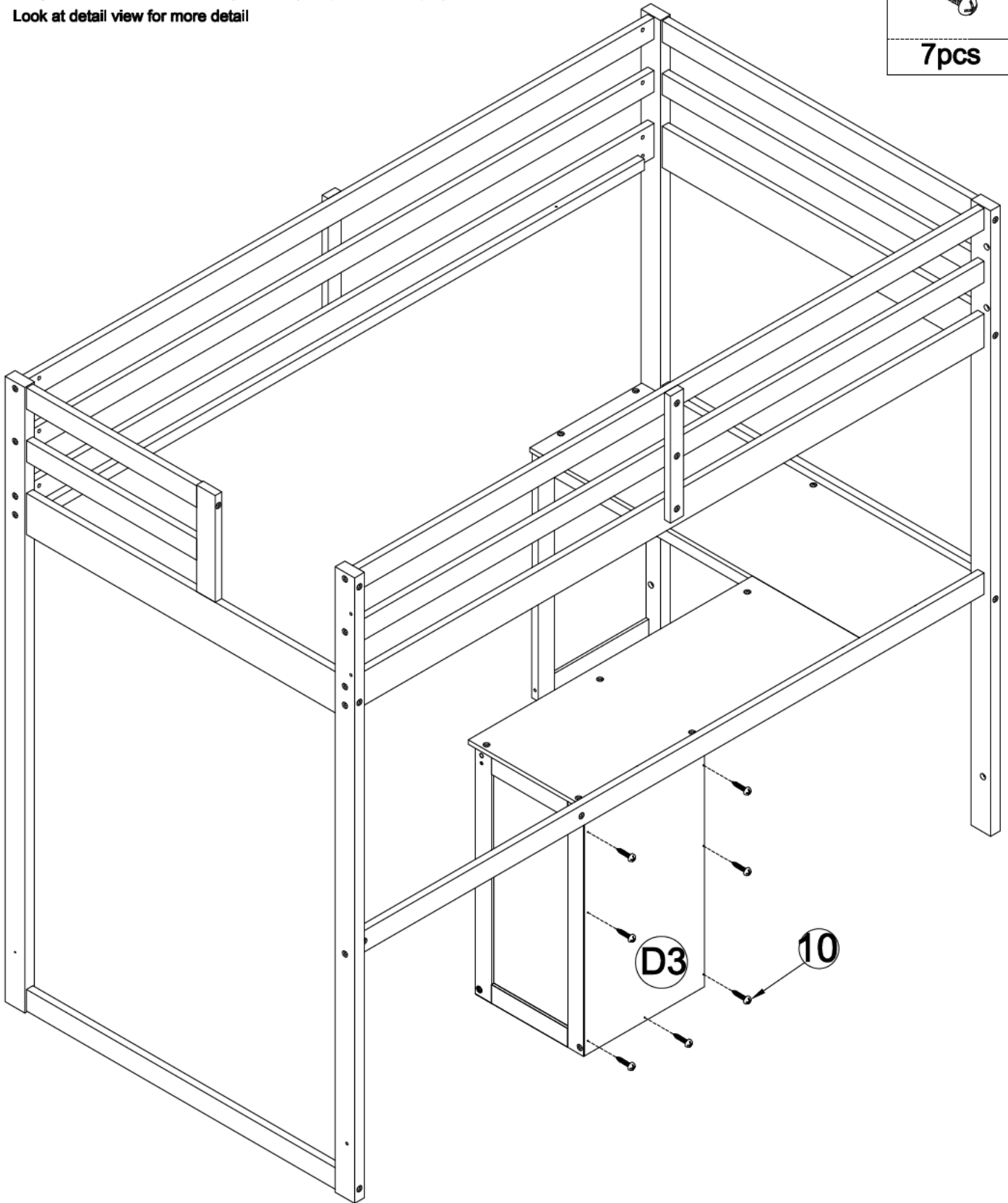
STEP 10: Following below illustration:

Using hardward #10 to Assembly Frame (completed on step 9) with D3 Panel
Look at detail view for more detail

10



7pcs



STEP 11: Following below illustration:

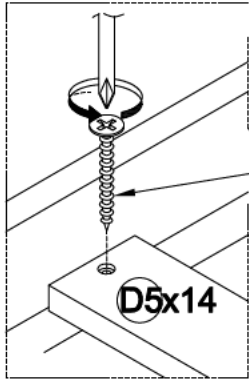
-Assembly 14 slat D5 using hardware #11

- Look at detail view

11



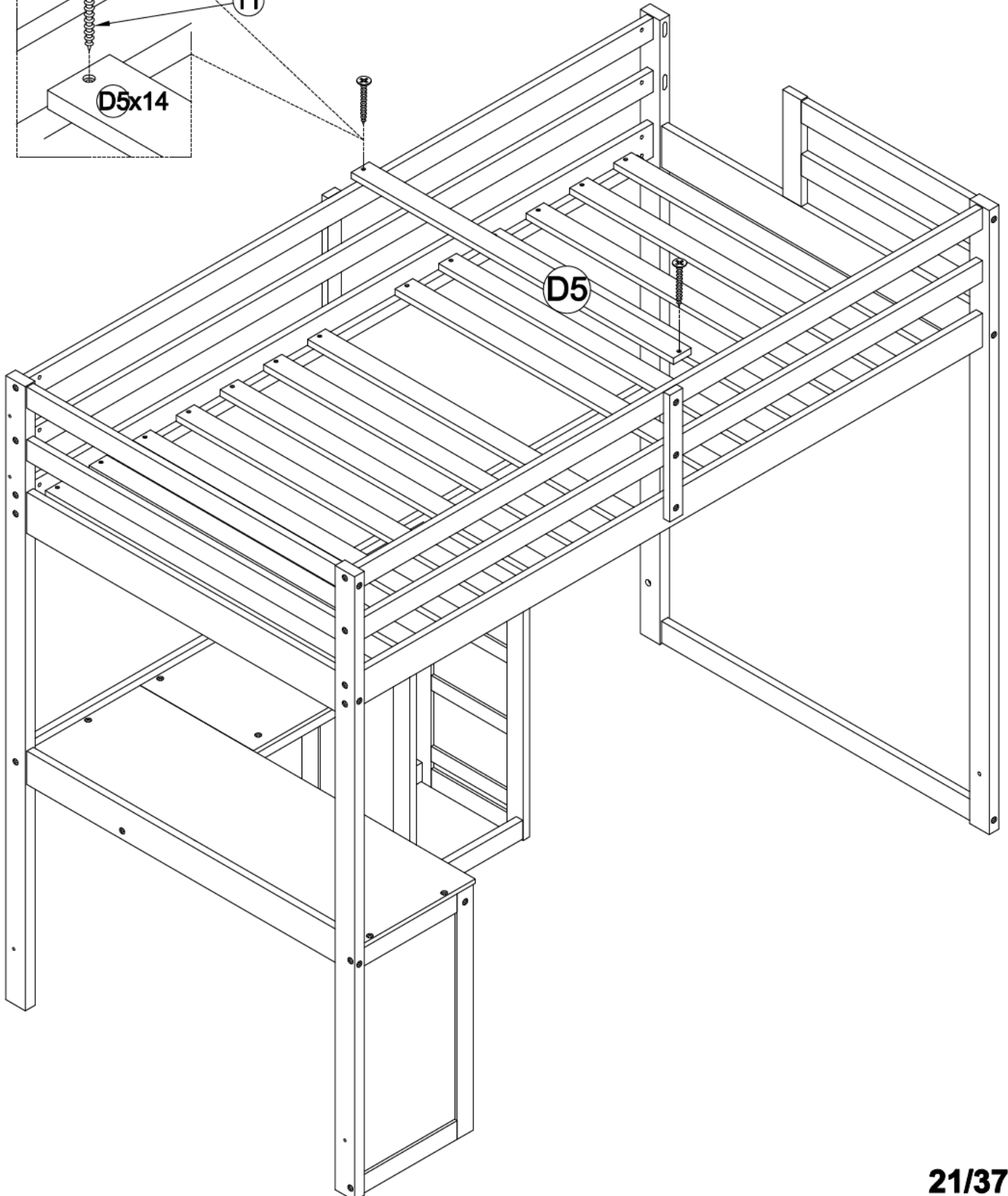
28pcs



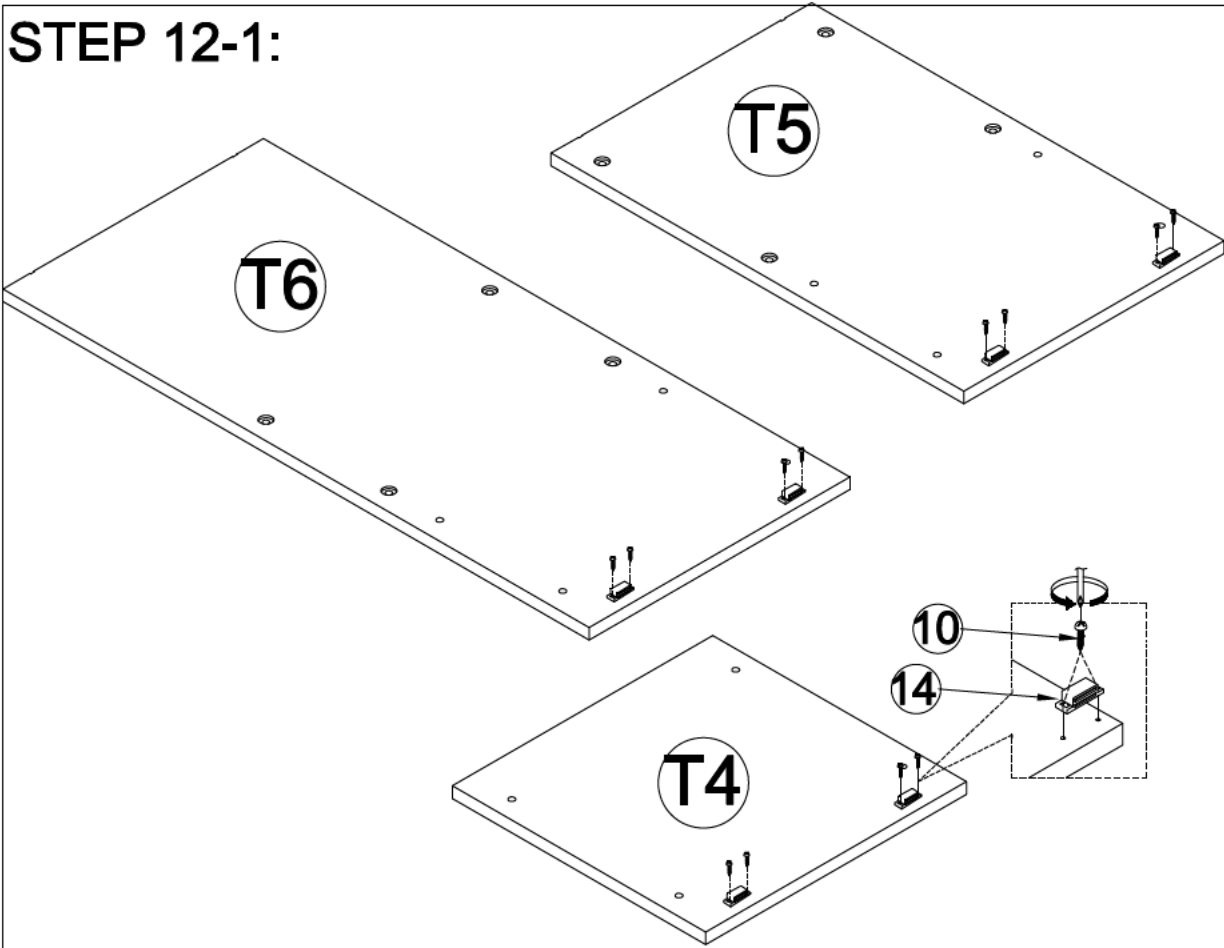
11

D5x14

D5



STEP 12-1:



14



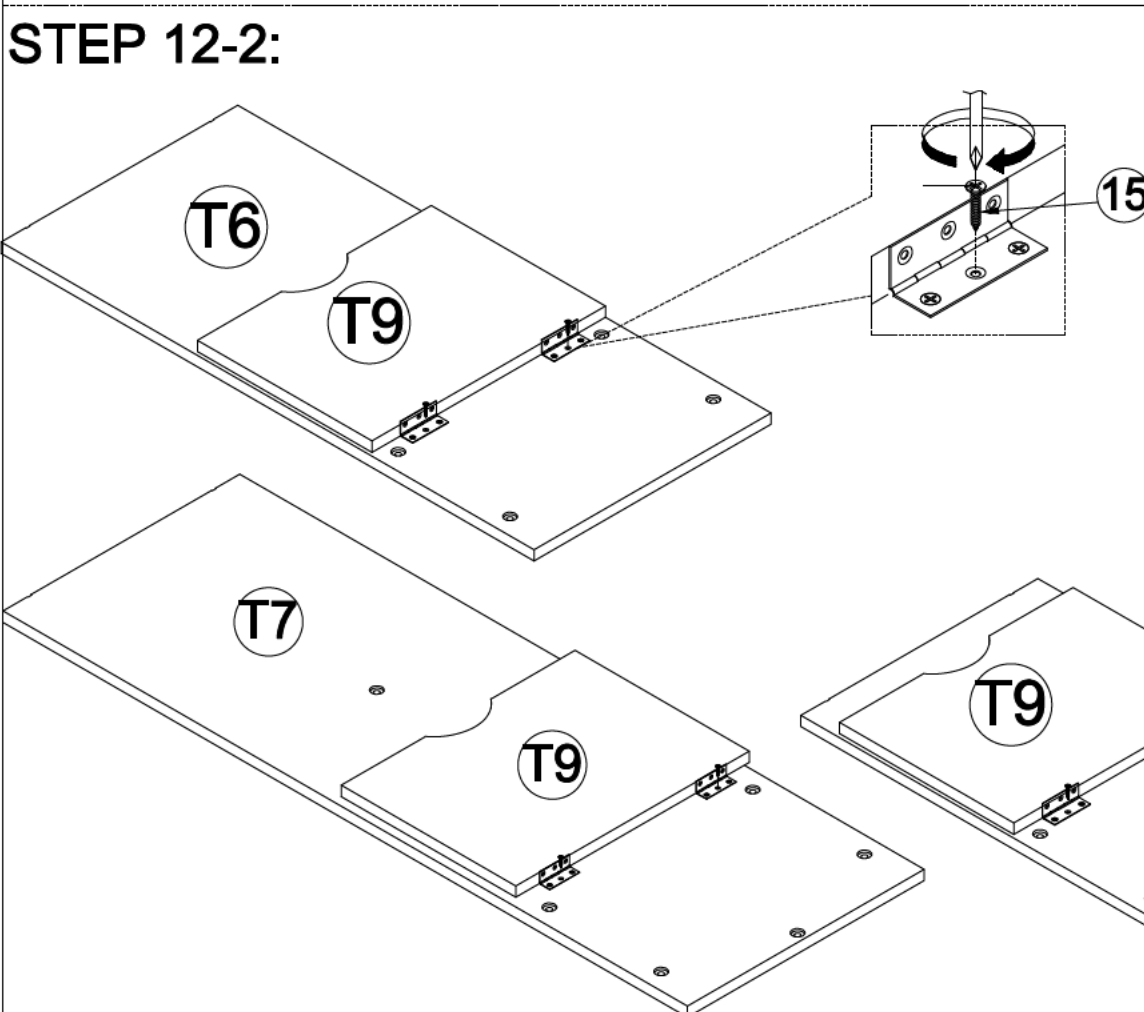
6pcs

10



12pcs

STEP 12-2:

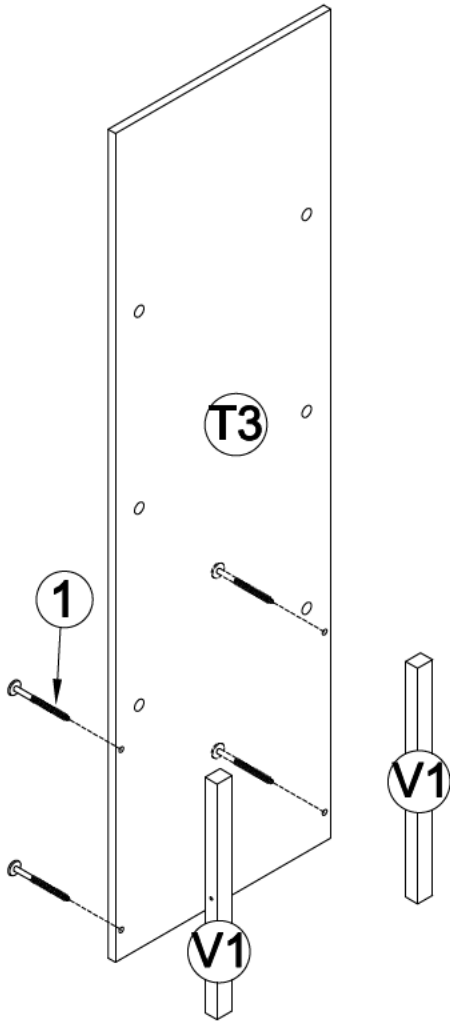
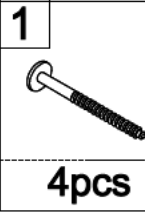


15

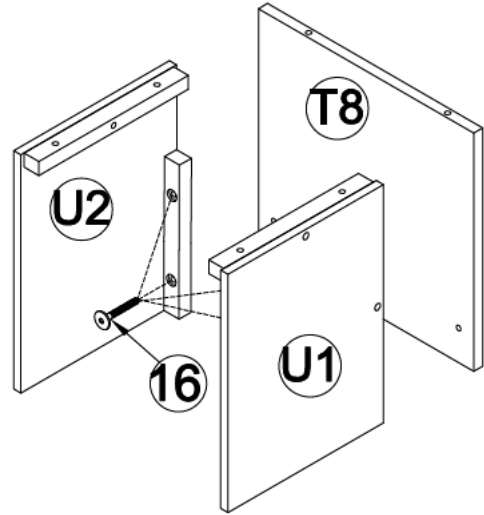
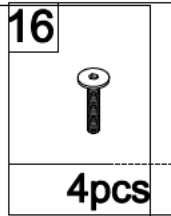


18pcs

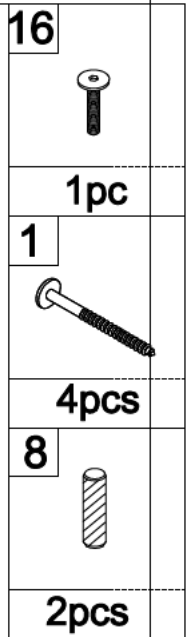
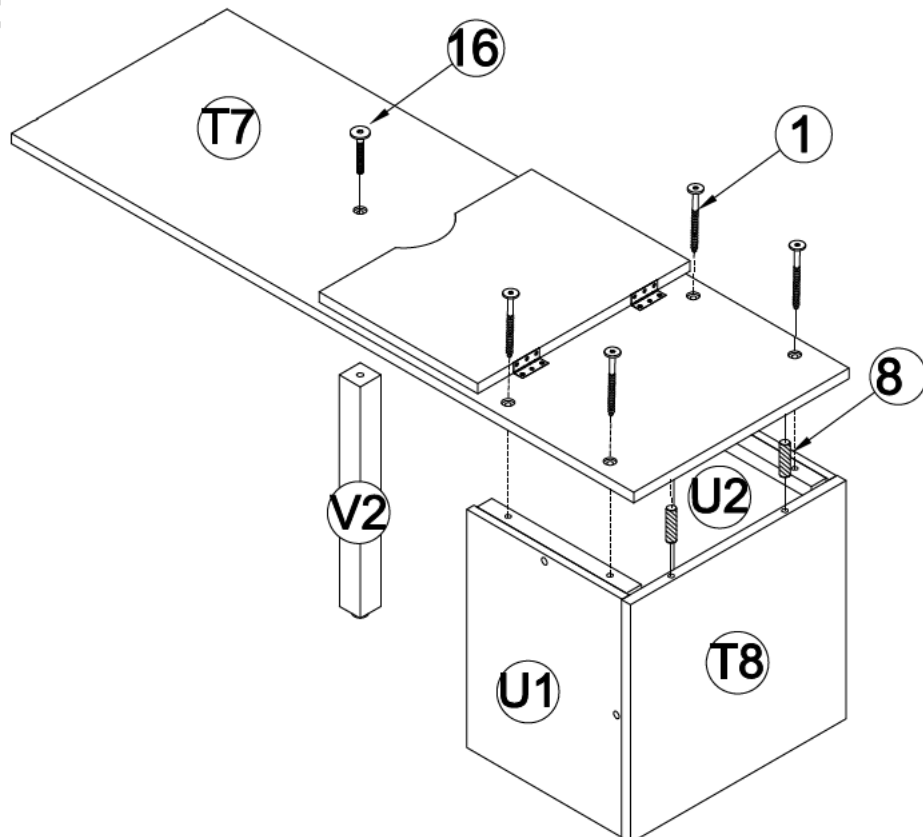
STEP 12-3:



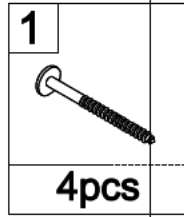
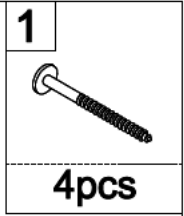
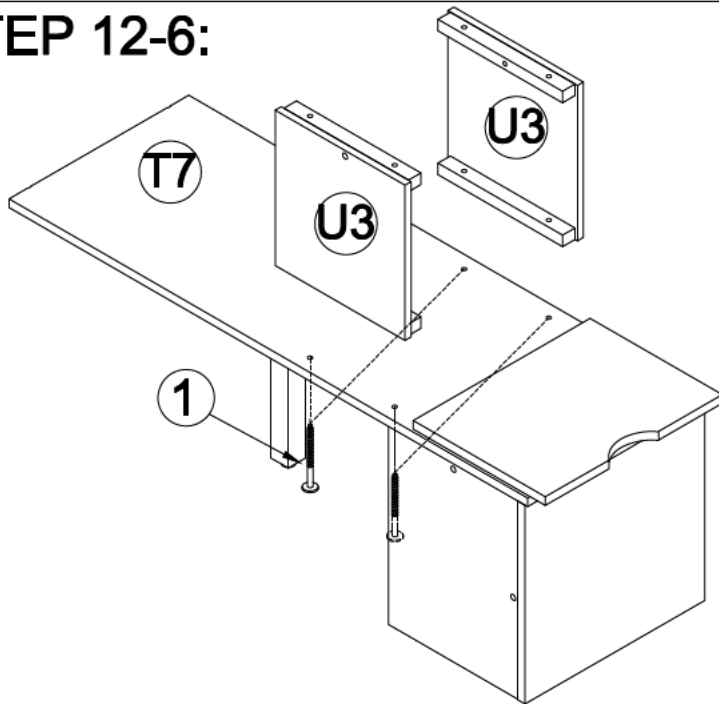
STEP 13-4:



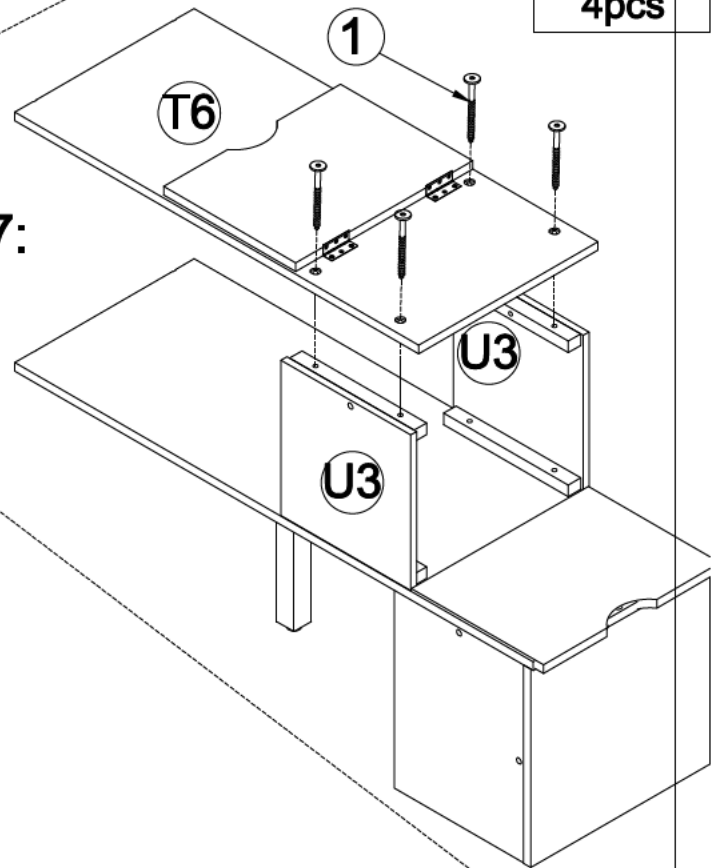
STEP 12-5:



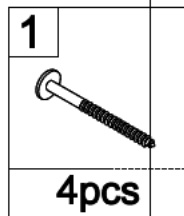
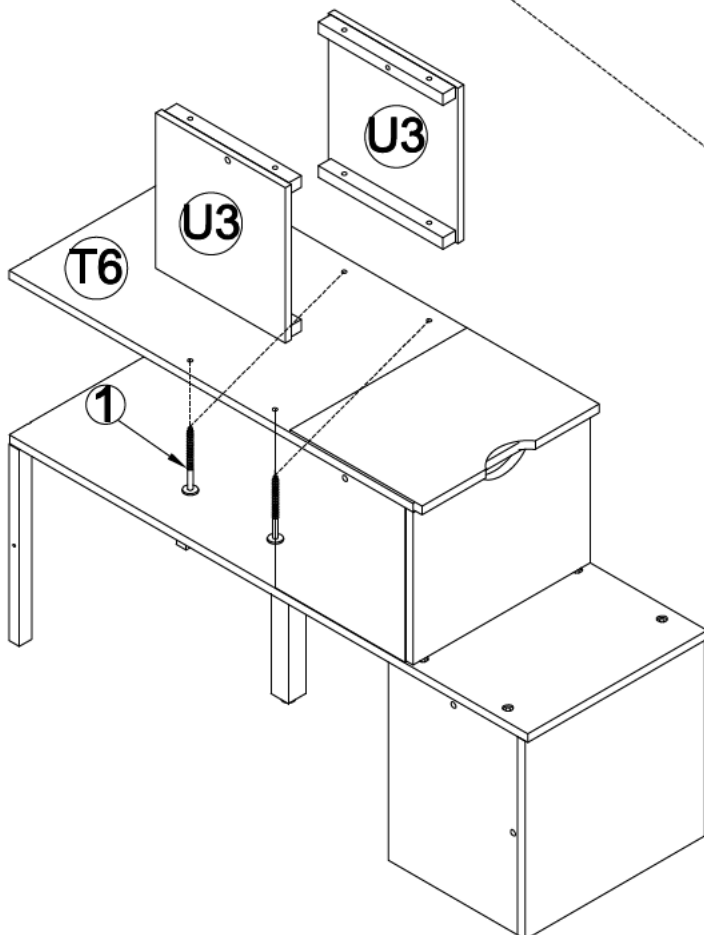
STEP 12-6:



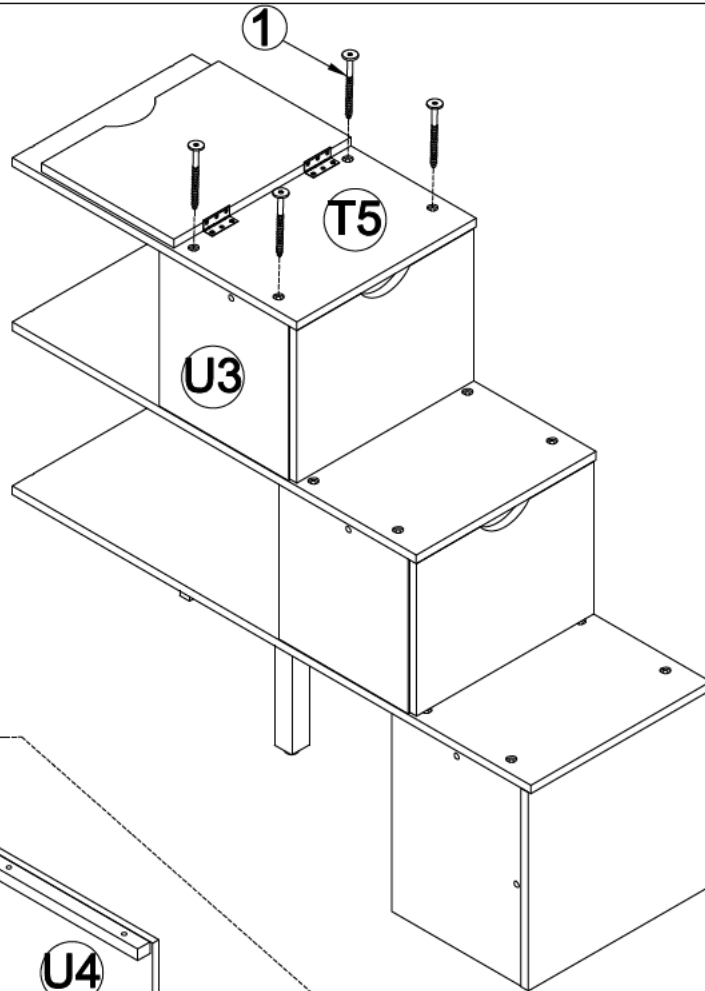
STEP 12-7:




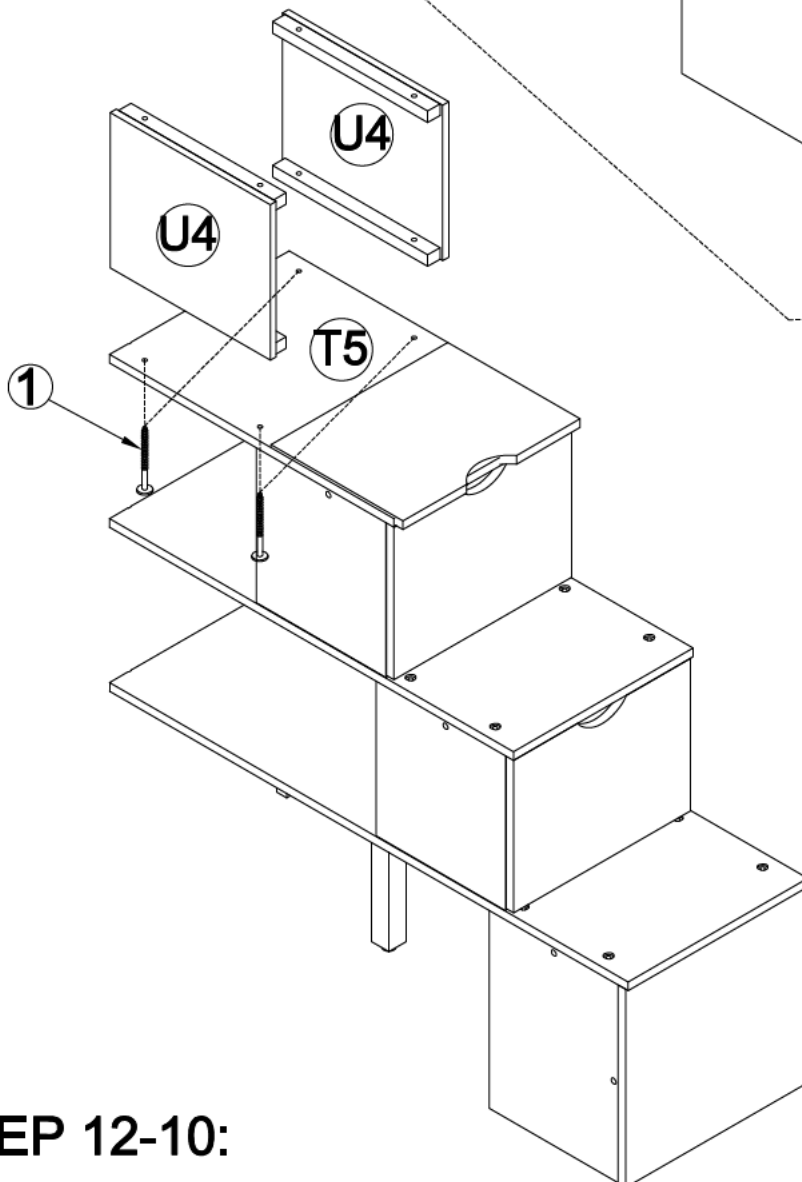
STEP 12-8:




STEP 12-9:



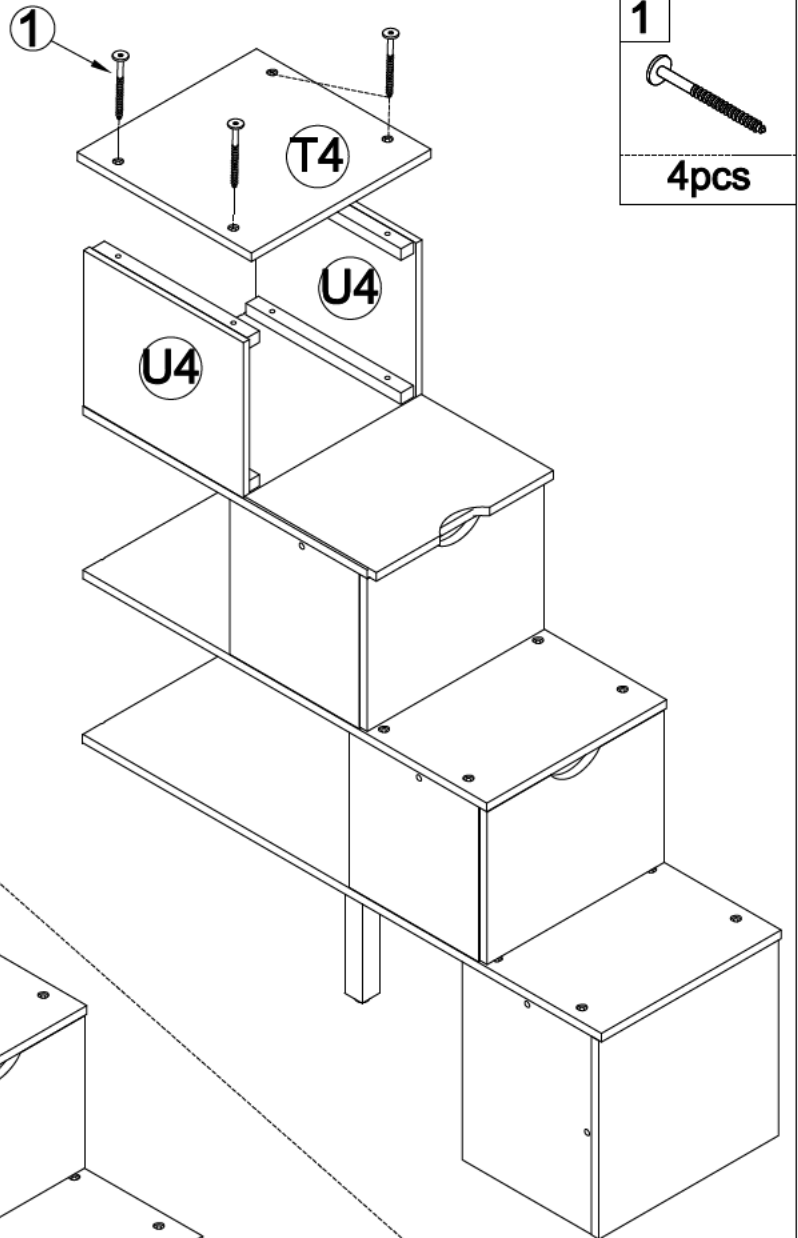
1

4pcs



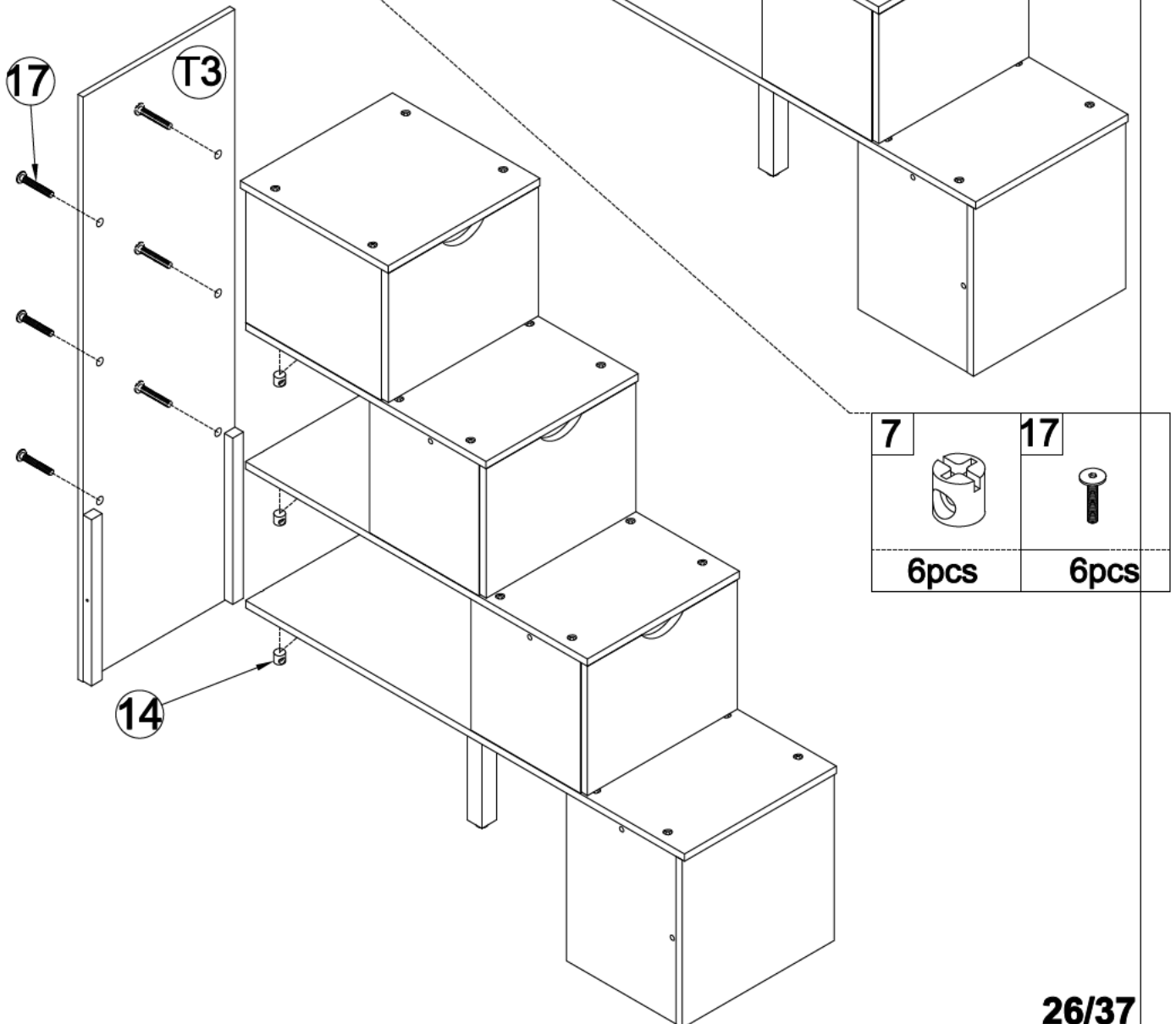
1

4pcs

STEP 12-10:

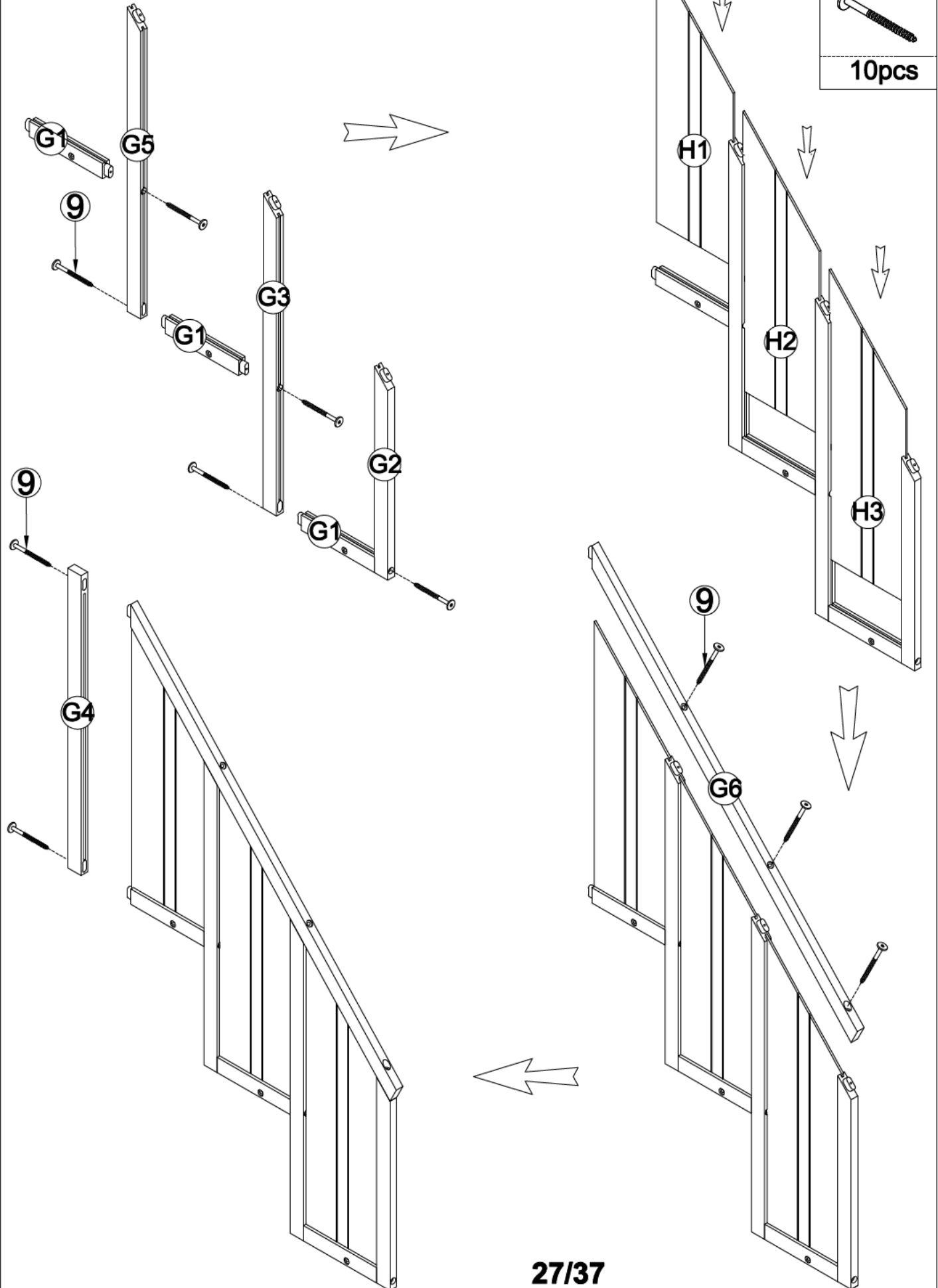
STEP 12-11:



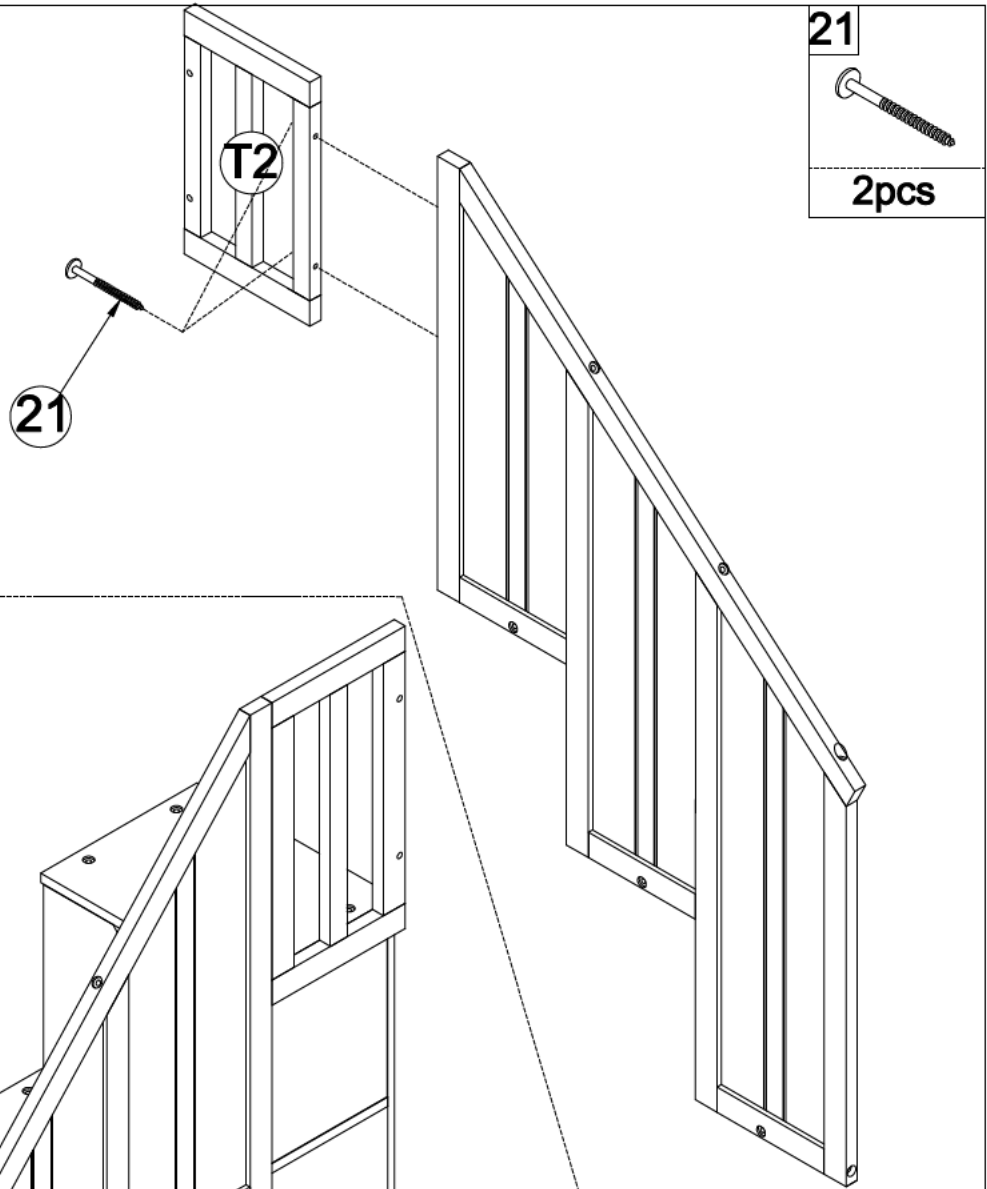
STEP 12-12:



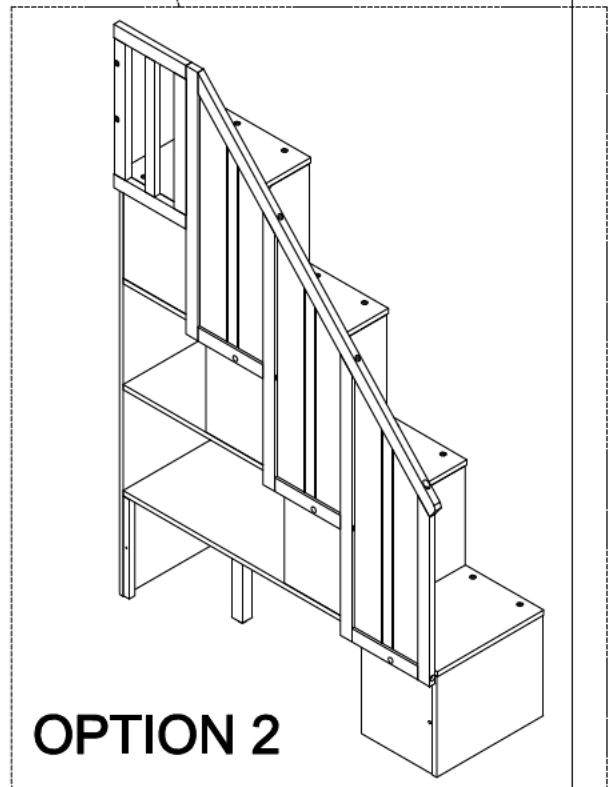
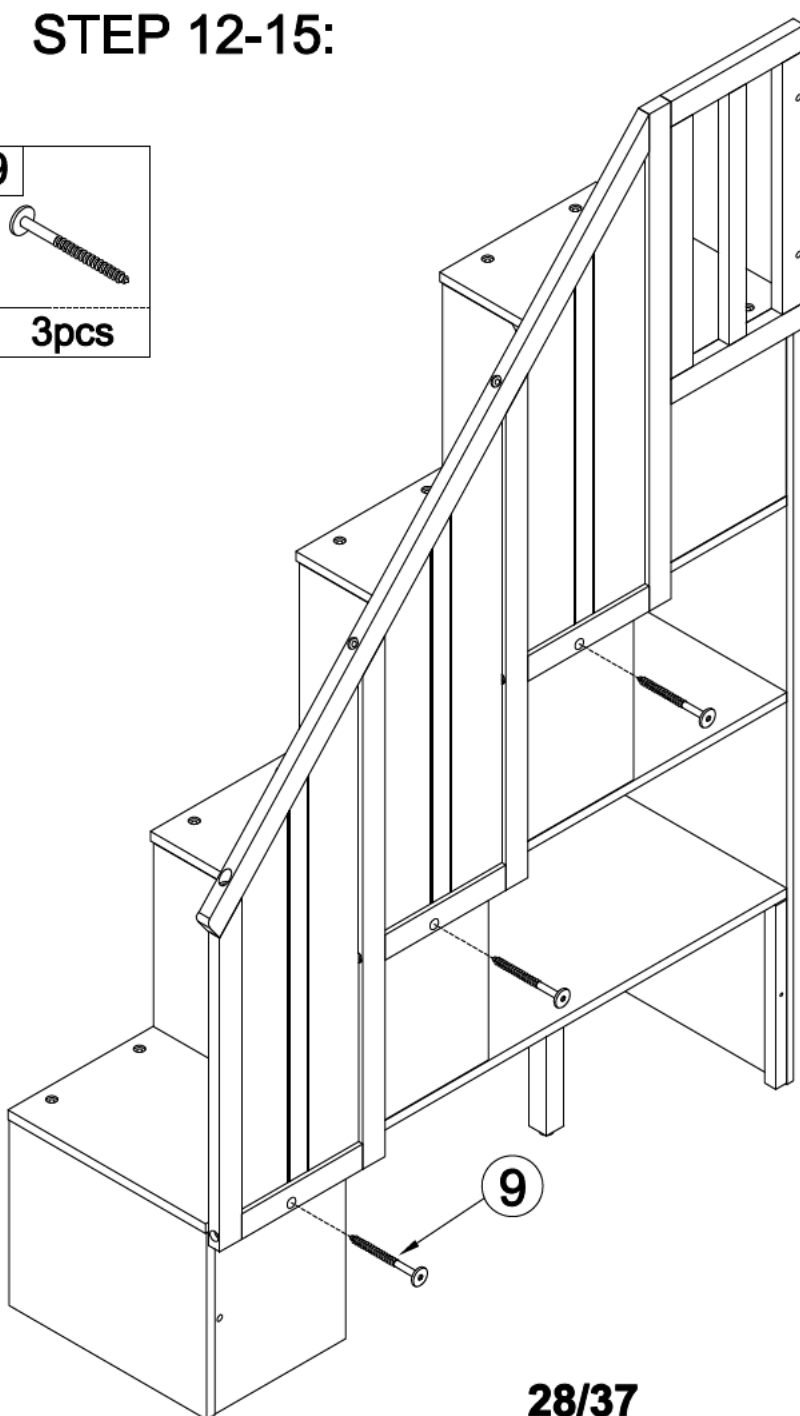
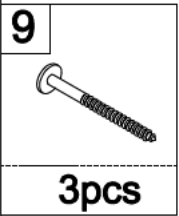
STEP 12-13:



STEP 12-14:



STEP 12-15:



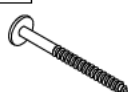


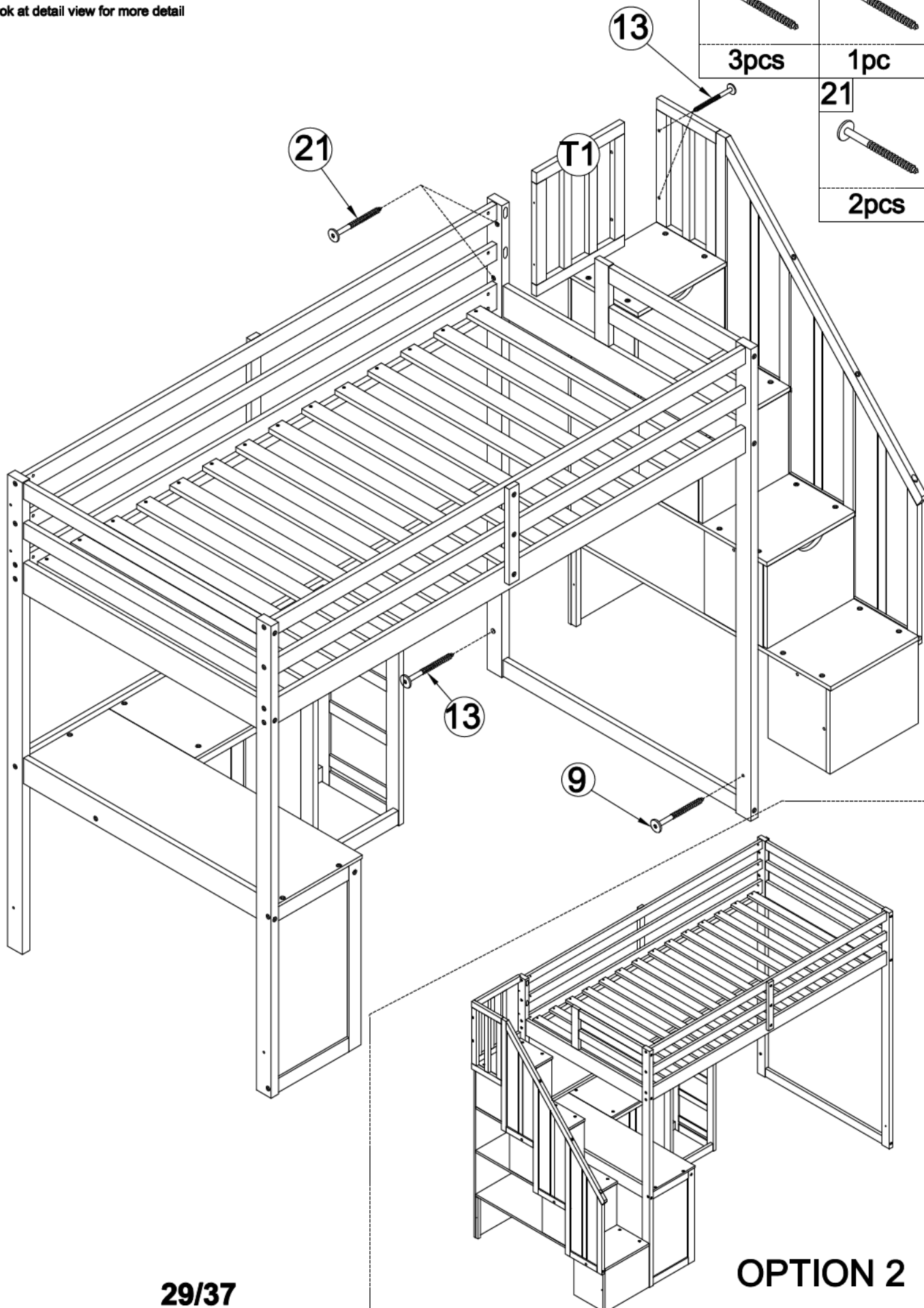
OPTION 2

STEP 13: Following below illustration:

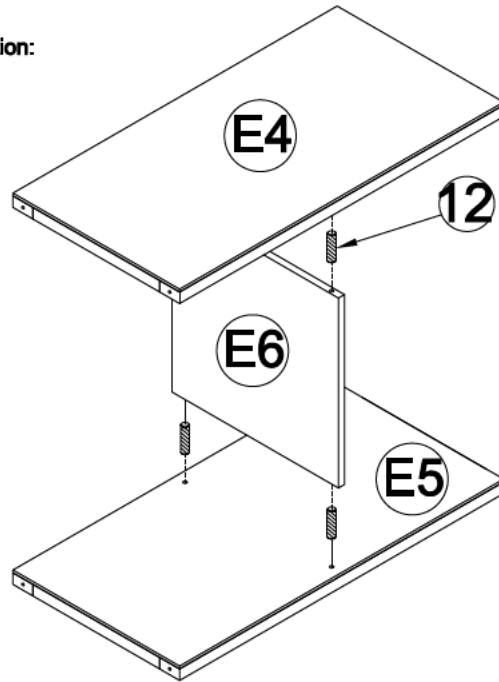
-Using hardware #9,#13,#21 to Assembly T1 Frame with Frame(completed on step 11,12-15)

-Look at detail view for more detail

13 	9 
3pcs	1pc
21 	
2pcs	



STEP 14-1: Following below illustration:

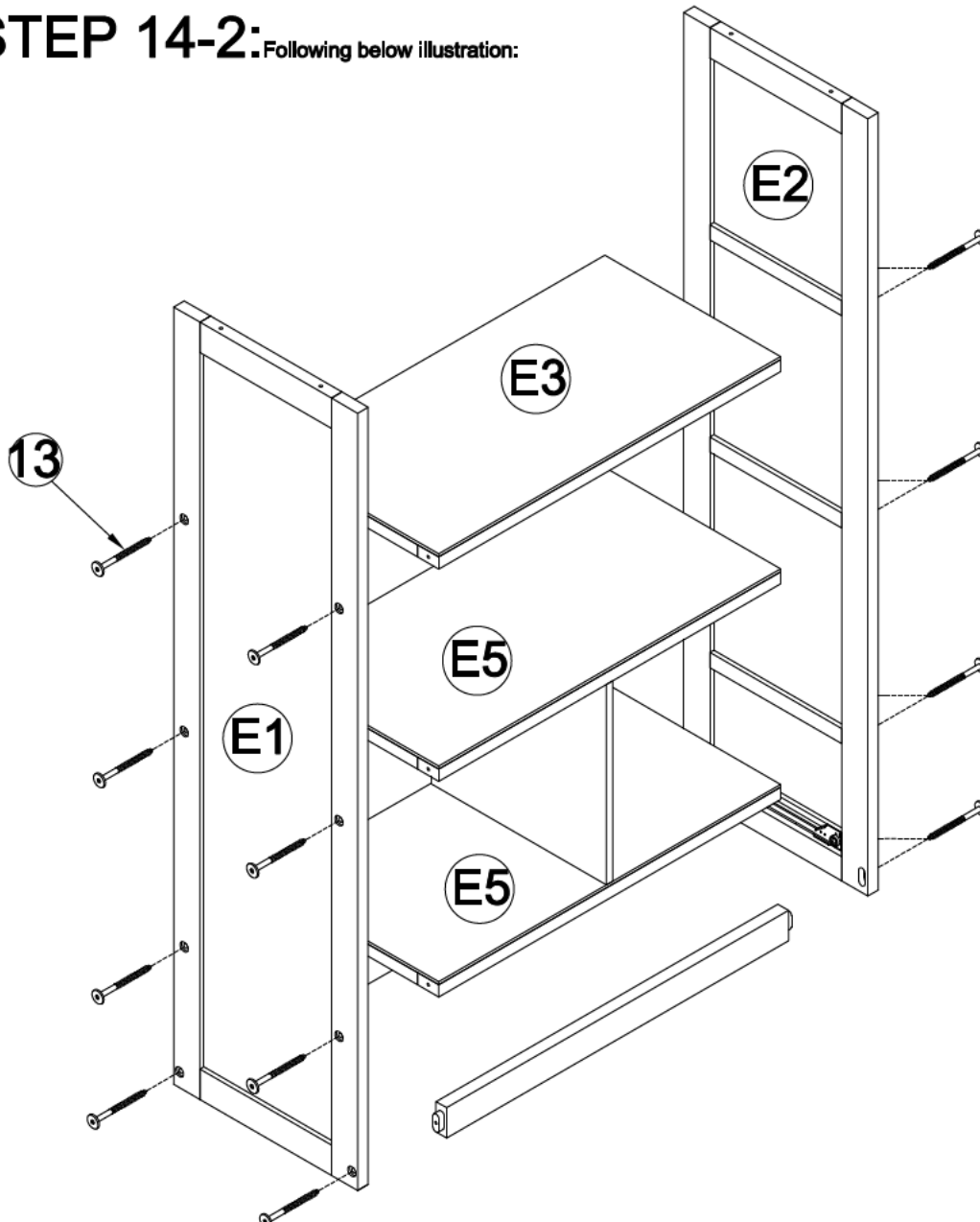


12



4pcs

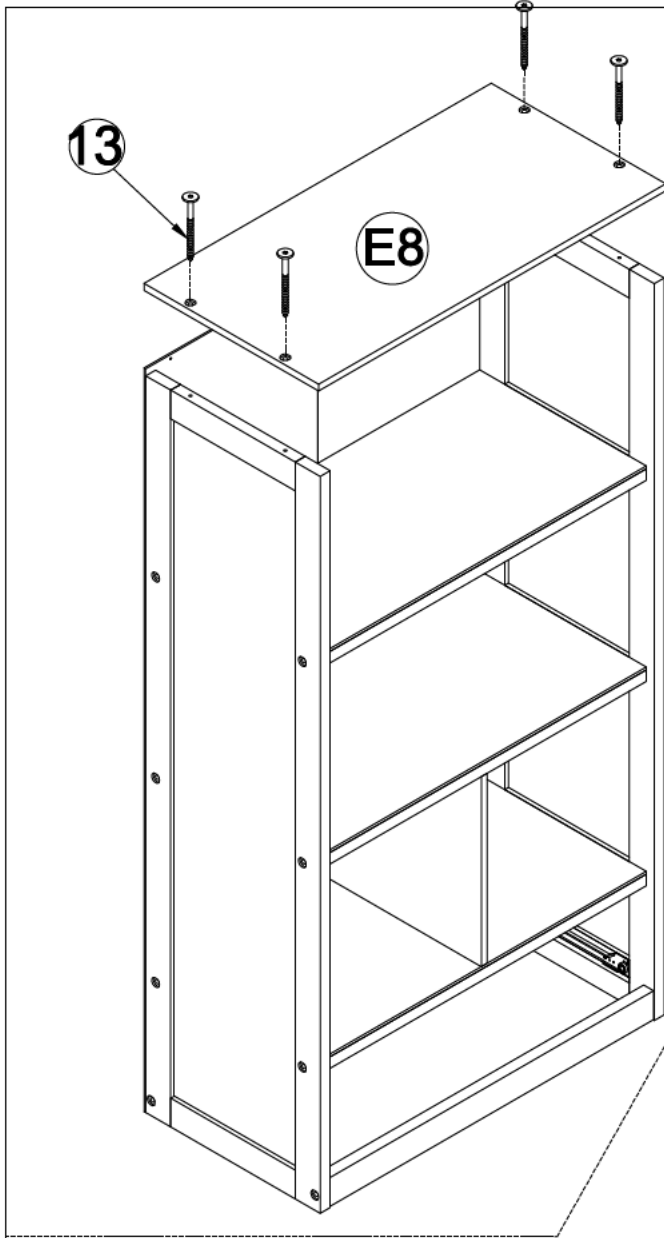
STEP 14-2: Following below illustration:




13

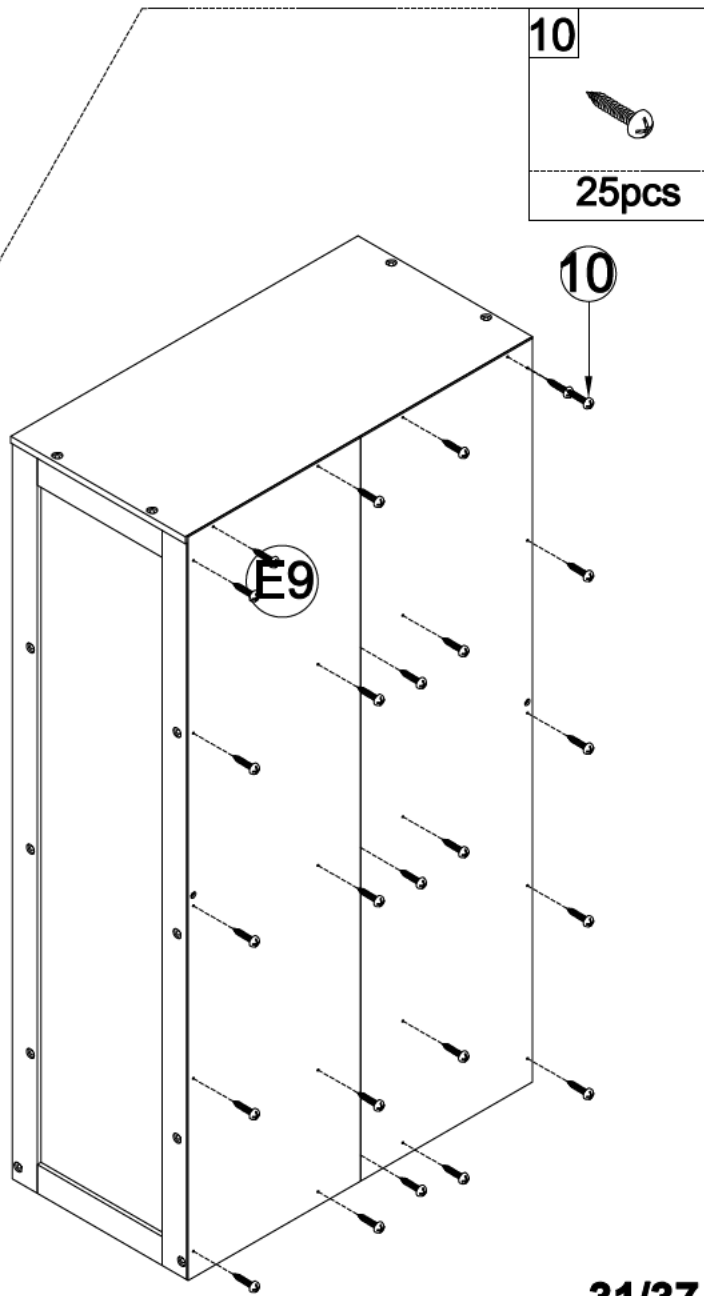



16pcs



13

4pcs

STEP 14-3: Following below illustration:



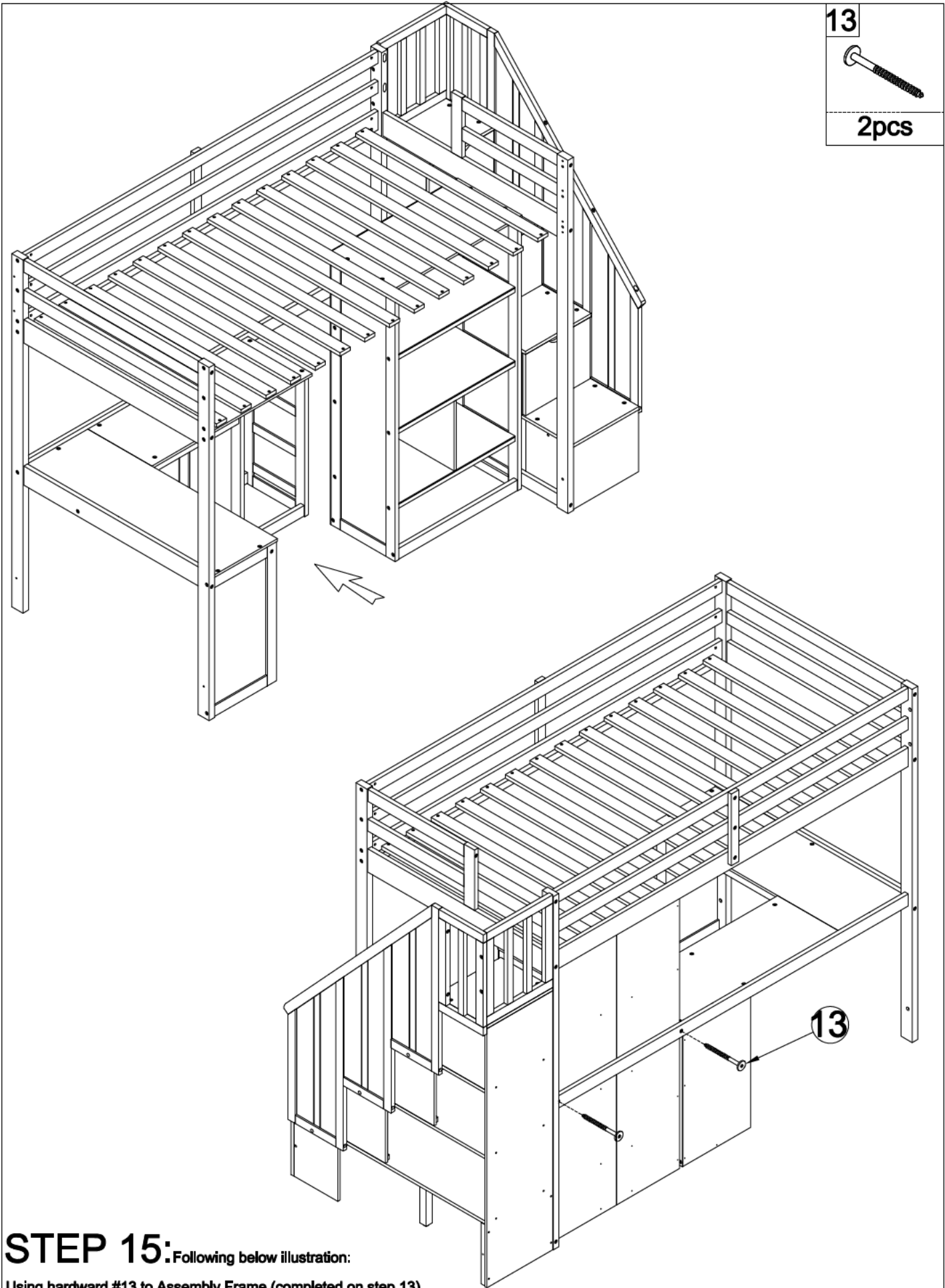
10

25pcs

STEP 14-4: Following below illustration:

13



2pcs



STEP 15: Following below illustration:

Using hardware #13 to Assembly Frame (completed on step 13)



with Frame (completed on step 14-4)

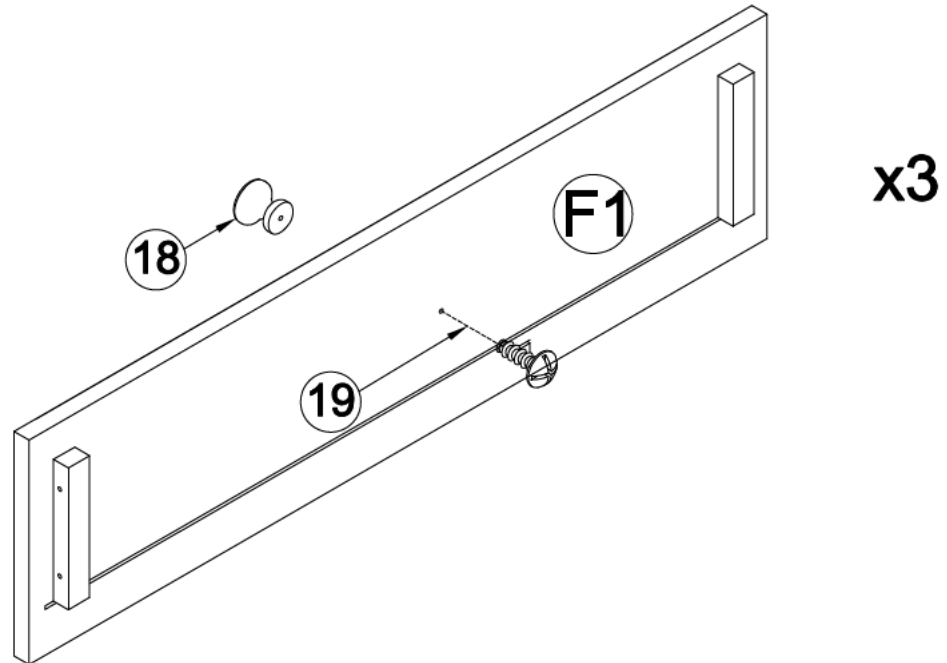
Look at detail view for more detail

32/37

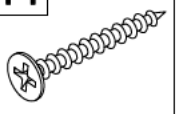
BACK VIEW

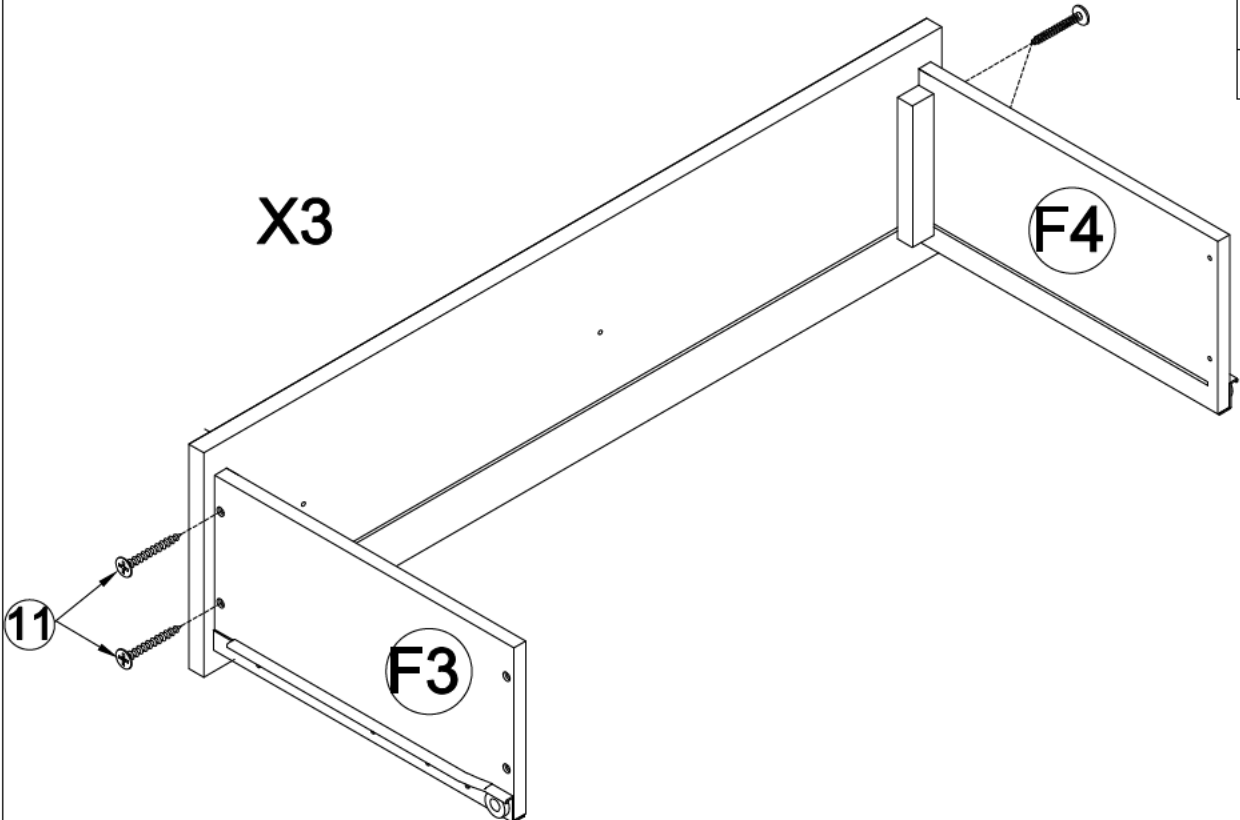
STEP 16-1:ASSEMBLY DRAWER

18	19
	
3pcs	3pcs



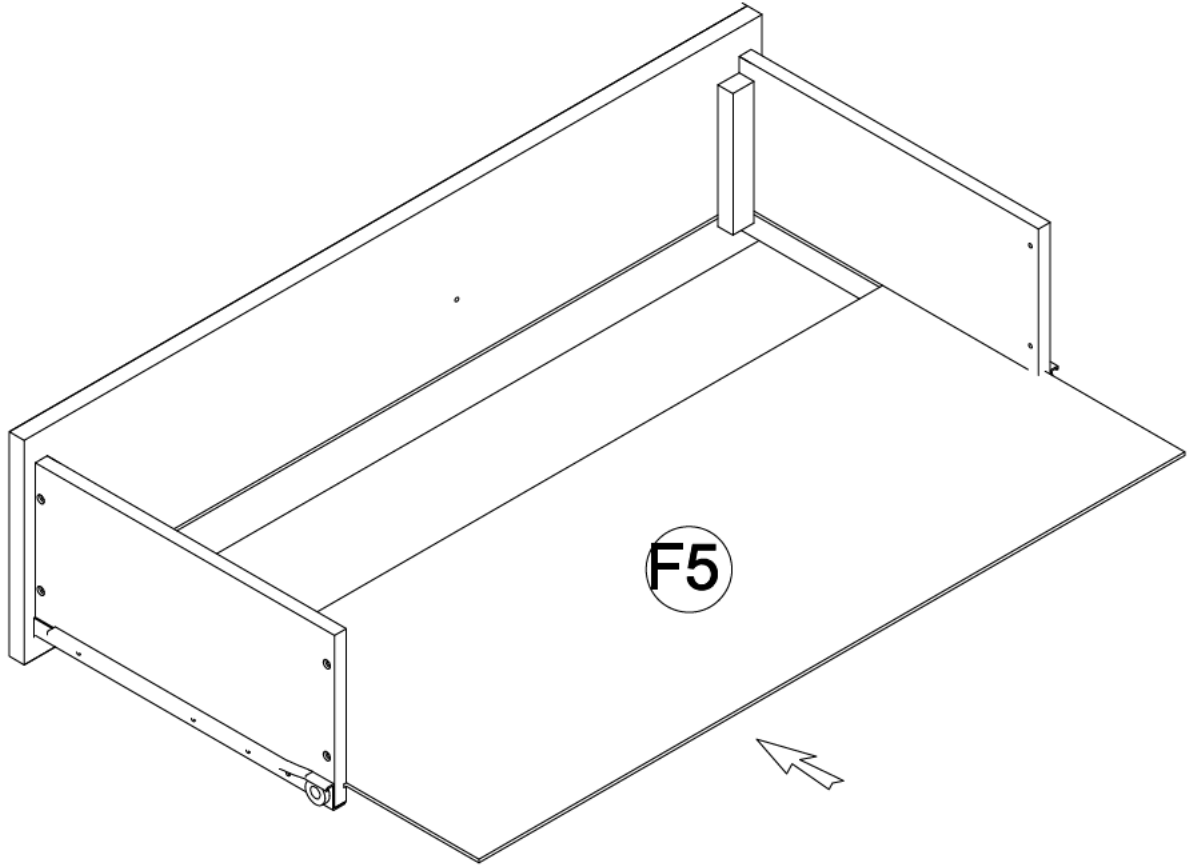
STEP 16-2:ASSEMBLY DRAWER

11

4x3pcs



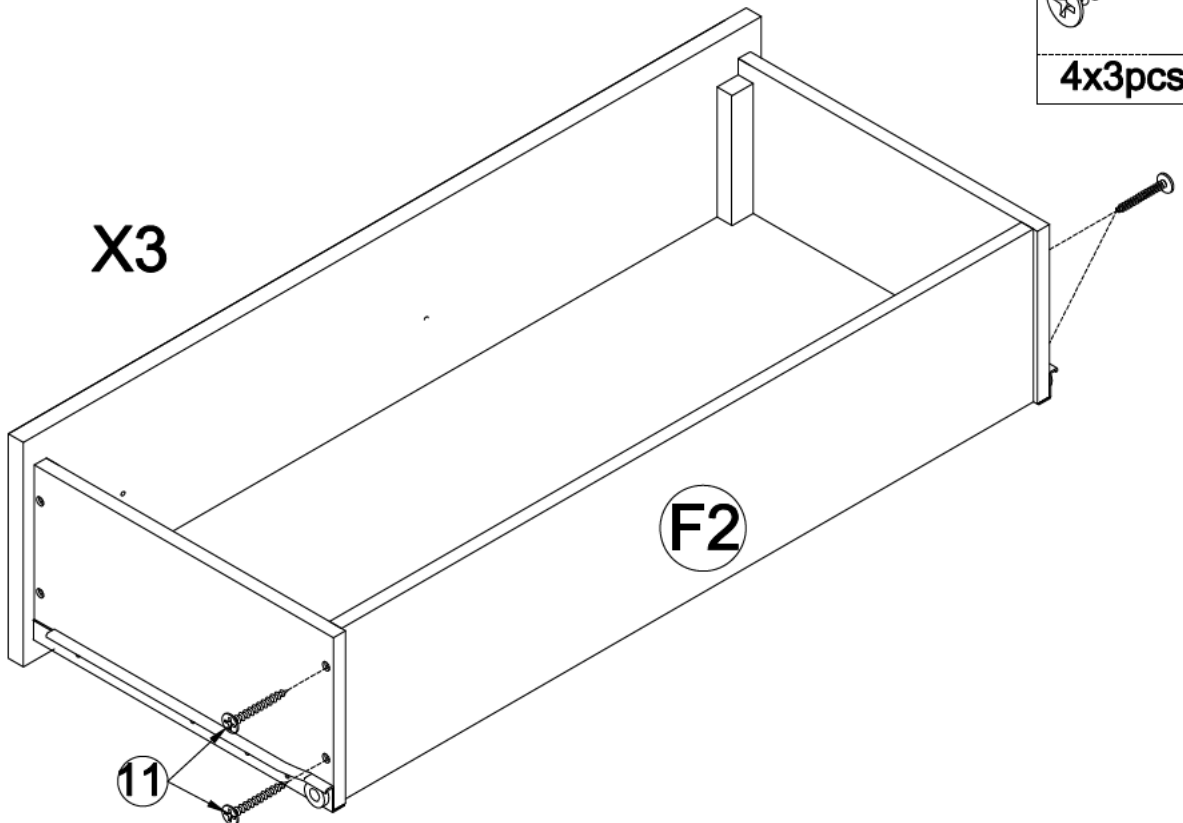
STEP 16-3:ASSEMBLY DRAWER

X3

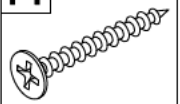


STEP 16-4:ASSEMBLY DRAWER

X3





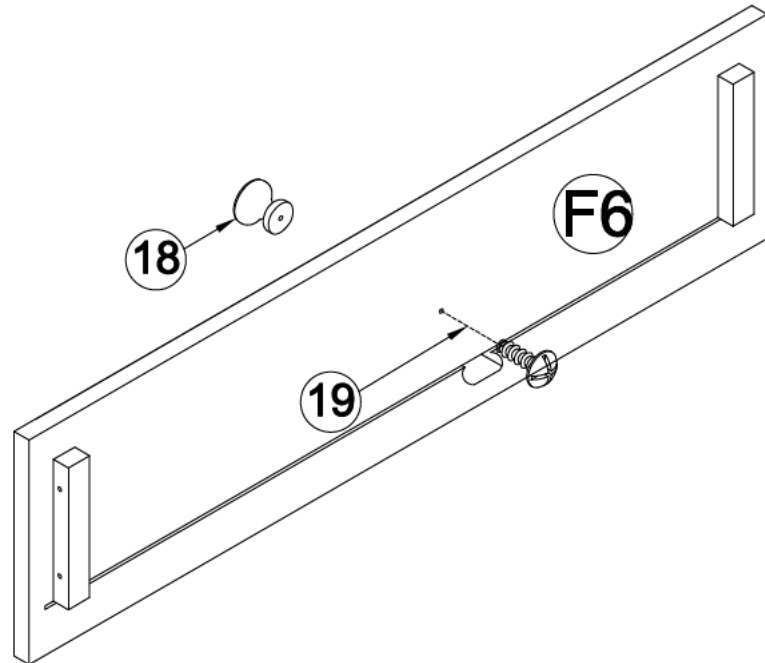
11



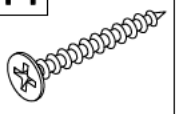
4x3pcs

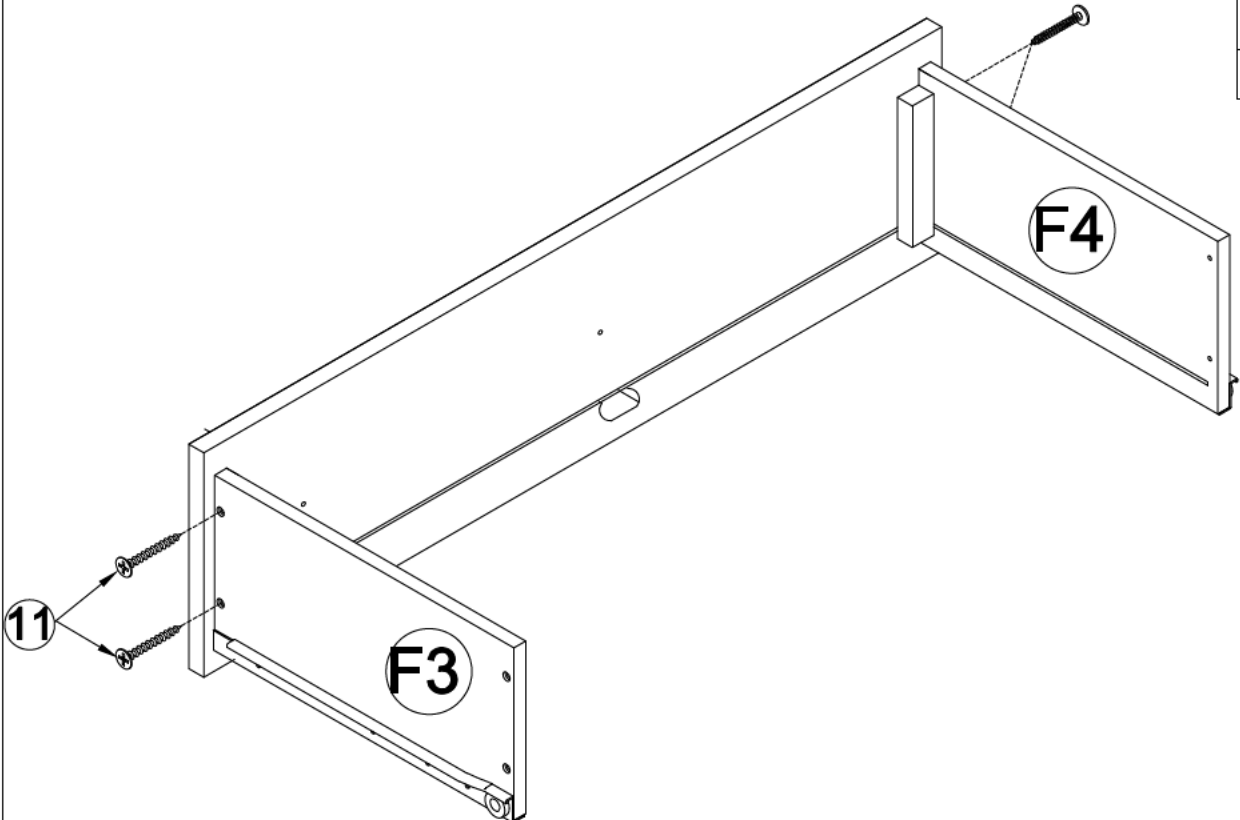
STEP 17-1:ASSEMBLY DRAWER

18	19
	
1pc	1pc

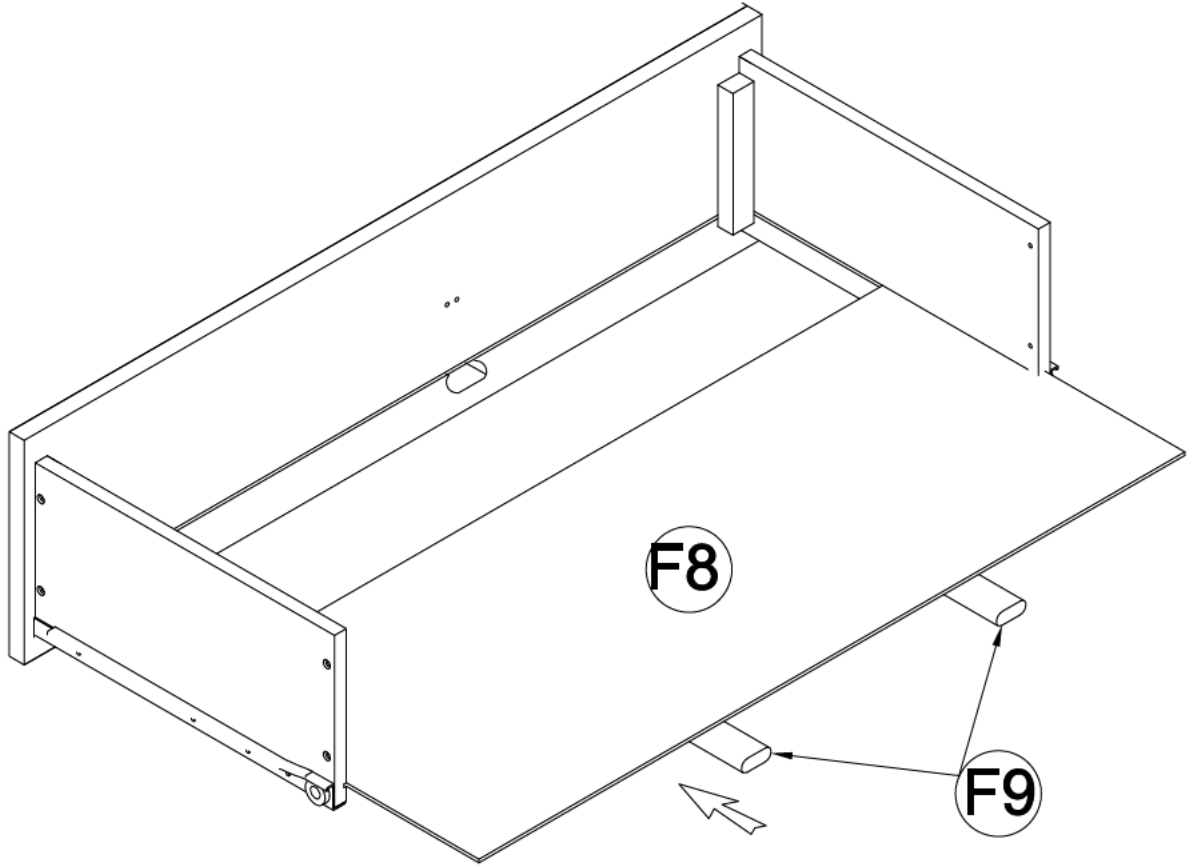


STEP 17-2:ASSEMBLY DRAWER

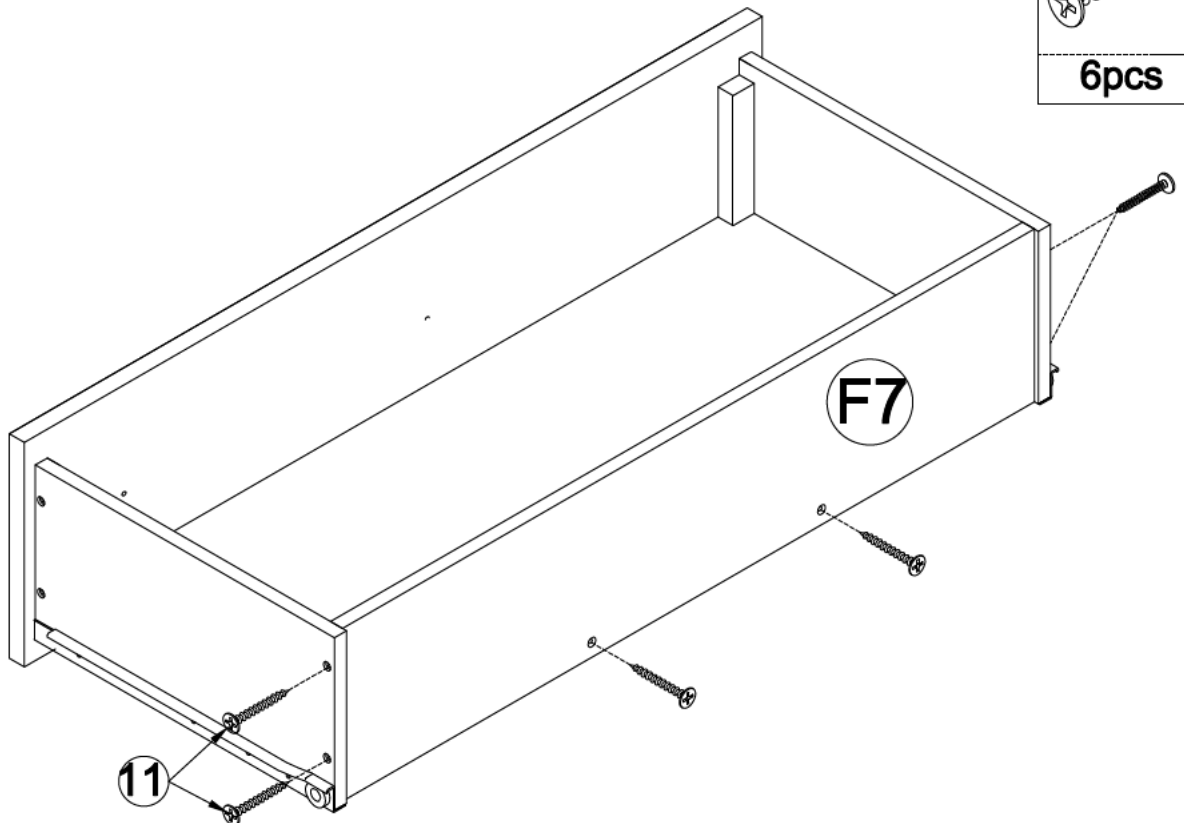
11

4pcs



STEP 17-3:ASSEMBLY DRAWER



STEP 17-4:ASSEMBLY DRAWER



11
6pcs

STEP 18: CONGRARULATION. YOU HAVE COMPLETED THE BED.

Just one more step to push 4 Drawer Into It position

