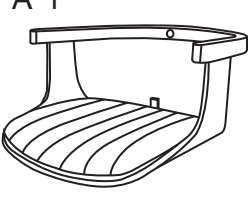
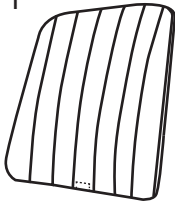
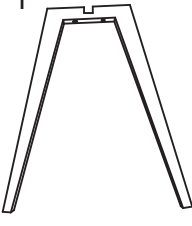
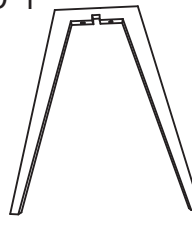
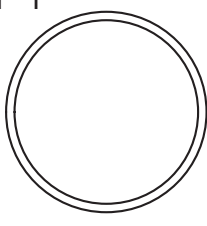
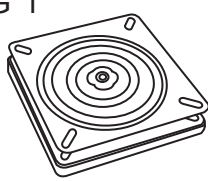


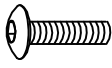
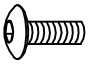




ASSEMBLY INSTRUCTION

8428B

A*1 	B*1 	C*1 	D*1 	F*1 	G*1 
H*8+1  M6X45mm	I*1+1  M6X40mm	J*2+1  M6X25mm	K*2+1  M6X20mm	L*2 	M*1  M6

