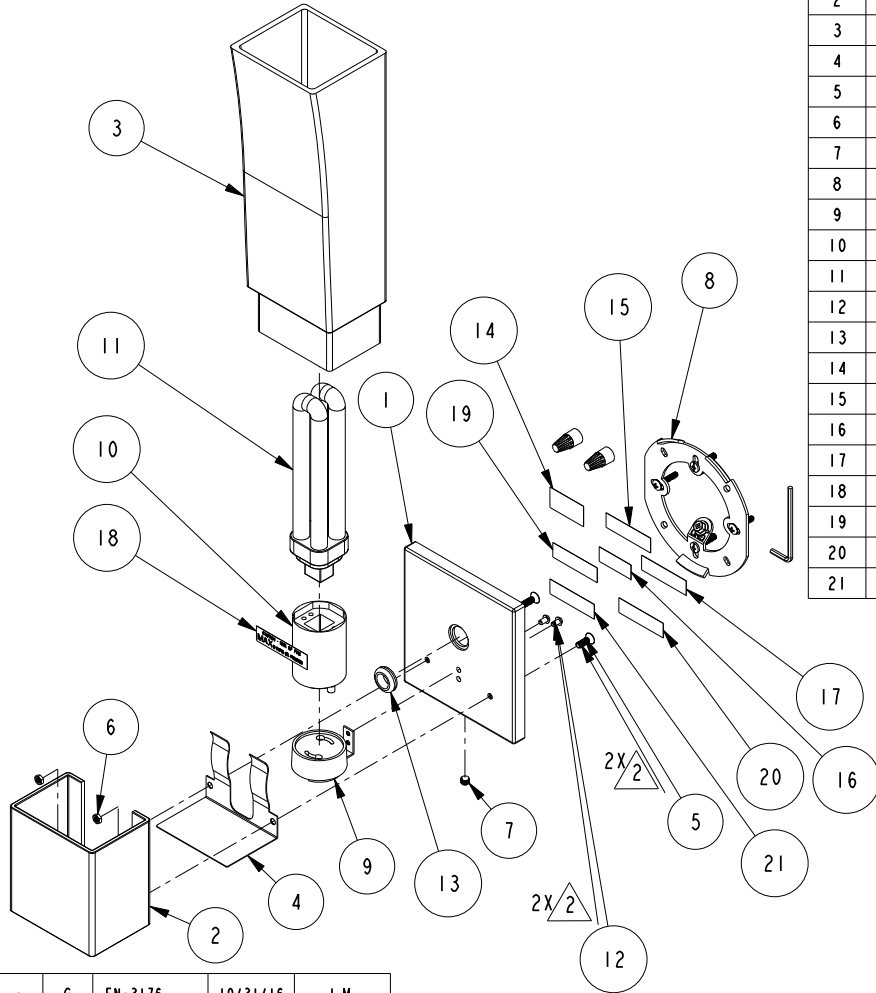


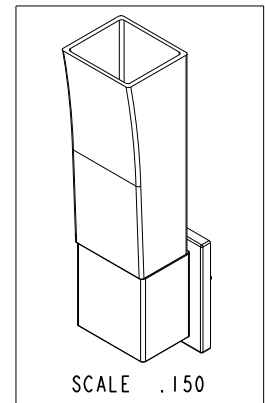
NOTES:

- (N1) 1. FIT / FORM / FUNCTION SHALL FOLLOW PS-E.008.
- (N2) 2. APPLY LOCTITE 680



BILL OF MATERIAL (CURRENT LEVEL)

ITEM	PT/ASSY	DESCRIPTION	TYPE	QTY.
1	40410	LIGHT BASE	PART	1
2	40411	LIGHT COVER	PART	1
3	40409	GLASS SHADE	PART	1
4	40436	BOTTOM COVER / SPRING CLIP	PART	1
5	92246	SCRW, 8-32 X 1/2 SKT FLT HD SS	PART	2
6	92169	NUT 8-32 x 5/16 STL	PART	2
7	92461	SCRW, M6 X 1 X 6 SKT HD CONE PT SS	PART	1
8	1-241	HARDWARE PACK	ASSEMBLY	1
9	91531	GU-24 BASE LAMPHOLDER -QUICK CONNECT	PART	1
10	91532	GU-24 SOCKET SELF BALLASTED LAMPHOLDER -QUICK CONNECT	PART	1
11	91513	18W, 4-Pin (G24Q-2) BASE, COMPACT FLUORESCENT LAMP, 2700K WARM WHITE COLOR	PART	1
12	92047	SCRW, 6-32 X 1/4 SLT RD HD SS	PART	2
13	91033	GROMMET - RUBBER	PART	1
14	98006	LABEL, UL LISTED	PART	1
15	98069	LABEL, PNXXX, SUITABLE FOR DAMP LOCATIONS	PART	1
16	98070	LABEL, MONTH YEAR E191501	PART	1
17	98081	LABEL, 120V / 60H / 18W	PART	1
18	98139	LABEL, 18 WATT MAX CFL PERMITTED	PART	1
19	98012	LABEL, WALL MOUNT ONLY	PART	1
20	98088	LABEL, MIN 75 C SUPPLY CONDUCTORS	PART	1
21	98125	LABEL, ORIENTATION MARKING	PART	1

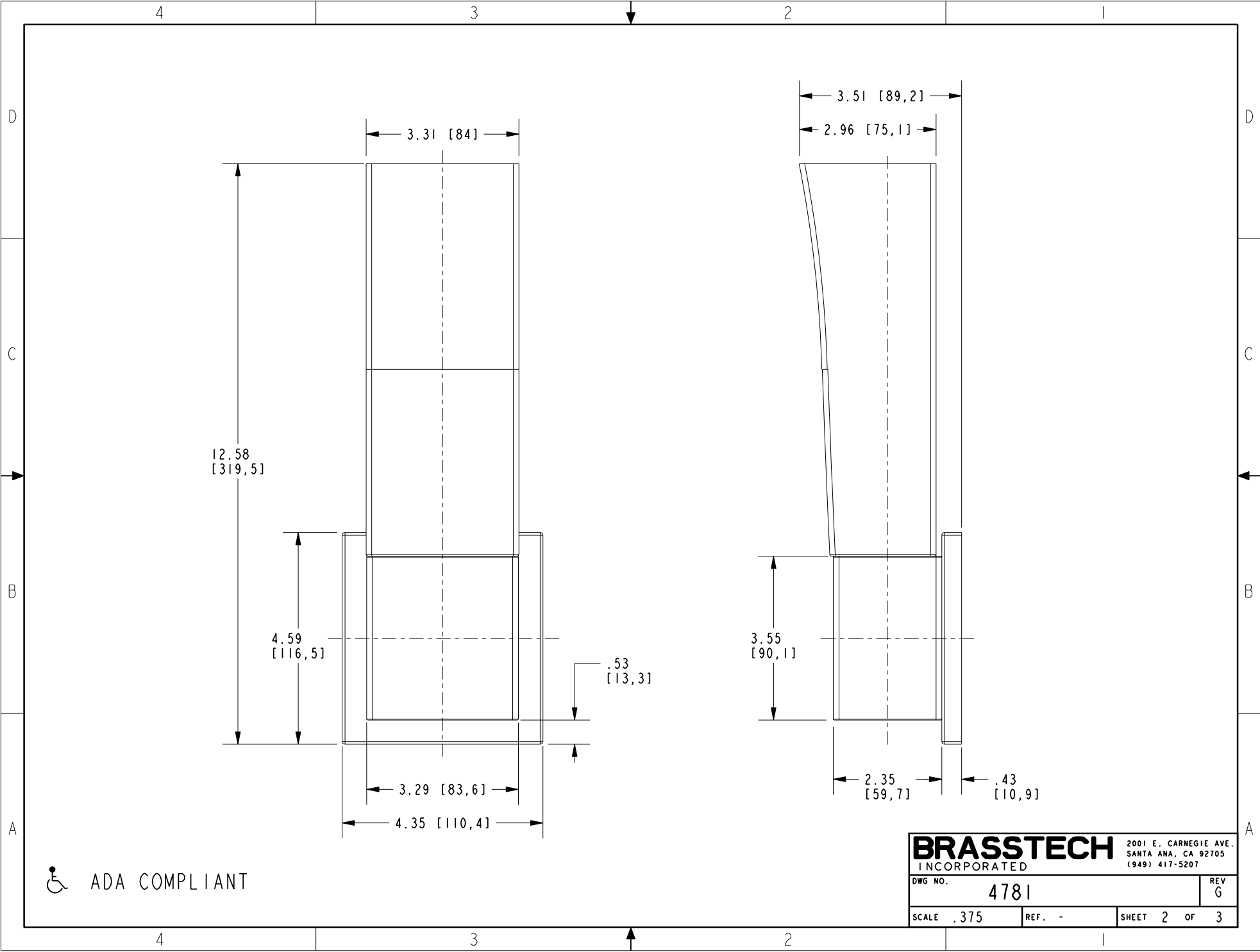



-	G	EN-3176	10/31/16	J.M.
-	F	EN-3127	08/26/16	R.S
-	E	EN-2592	08/29/13	-
-	D	EN-2506	04/19/13	-
-	C	EN-1927	10/12/11	-
-	B	EN-1770	05/24/11	-
-	A	EN-1294	03/16/11	-
-	-	EN-1294	11/09/10	-
ZONE	REV	DESCRIPTION	DATE	APPROVED

COPYRIGHT 2005 BRASSTECH, INC. THESE DRAWINGS AND THE DESIGNS DEPICTED HEREIN ARE THE PROPRIETARY PROPERTY OF BRASSTECH. ANY USE OR REPRODUCTION IS SUBJECT TO THE EXPRESS APPROVAL OF BRASSTECH. UNAUTHORIZED USE IS STRICTLY PROHIBITED. ALL RIGHTS RESERVED.

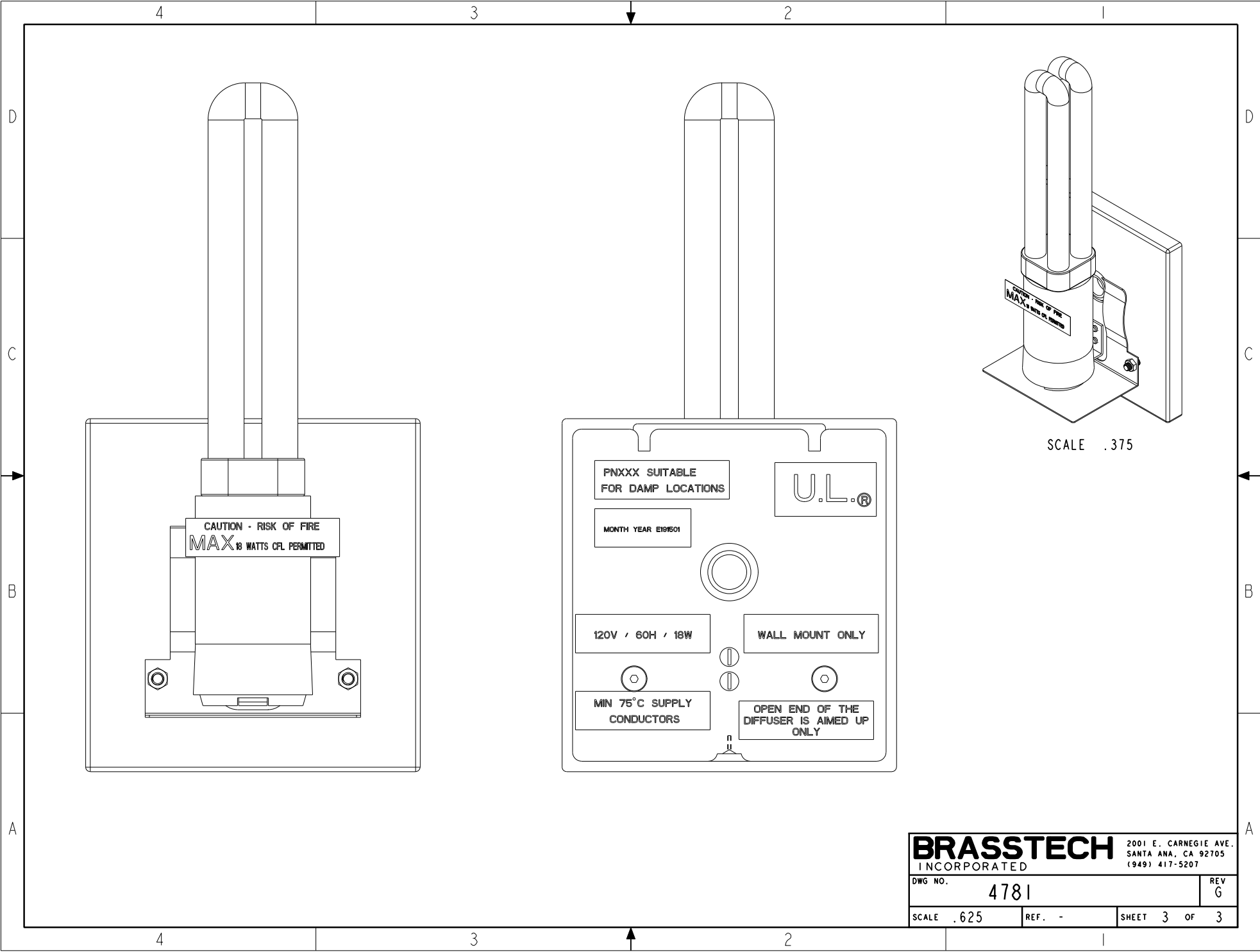
TESTING	-	-	-	UNITS ARE: INCHES [MM]
ASSEMBLY	-	-	-	TOLERANCES ARE:
PLATING	-	-	-	FRACTIONS DECIMALS ANGLES
POLISHING	-	-	-	±1/16" .X ±.1 [2.5] ±1°
MACHINING	-	-	-	.XX ±.06 [1.5]
TOOLING FIXTURE #	-	-	-	(X.XXX) DENOTES CRITICAL DIMS. ALL THREADS ARE CRITICAL
		NEXT ASSY	USED ON	DRAWN AMARISH 08/26/16
				CHECKED RAVINDRA 08/26/16
				APPROVED R.S 08/26/16
				APPLICATION REMOVE ALL BURRS AND SHARP EDGES

BRASSTECH		2001 CARNEGIE AVE. SANTA ANA, CA 92705 (949) 417-5207	
INCORPORATED		SINGLE LIGHT	
DWG NO.	4781	REV	G
SCALE	.187	REF.	-
SHEET	1	OF	3



 ADA COMPLIANT

BRASSTECH		2001 E. CARNEGIE AVE. SANTA ANA, CA 92705 (949) 417-5207	
INCORPORATED			
DWG NO.	4781	REV	G
SCALE	.375	REF.	-
		SHEET	2 OF 3



CAUTION - RISK OF FIRE
MAX 18 WATTS CFL PERMITTED

PNXXX SUITABLE
 FOR DAMP LOCATIONS



MONTH YEAR E181501

120V / 60H / 18W

WALL MOUNT ONLY

MIN 75°C SUPPLY
 CONDUCTORS

OPEN END OF THE
 DIFFUSER IS AIMED UP
 ONLY

SCALE .375

BRASSTECH		2001 E. CARNEGIE AVE.	
INCORPORATED		SANTA ANA, CA 92705	
		(949) 417-5207	
DWG NO.	4781	REV	G
SCALE .625	REF. -	SHEET 3	OF 3