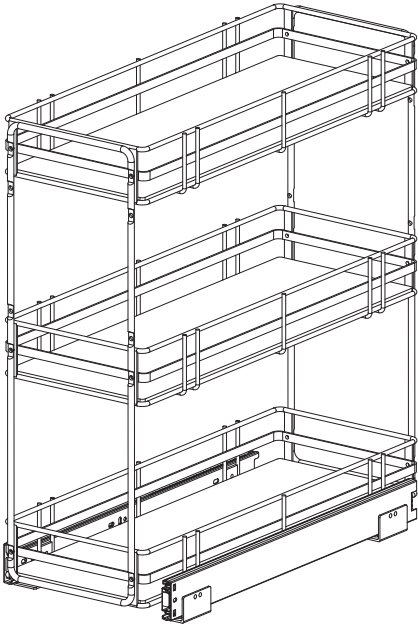


# OWNER'S MANUAL

## 3-tier Wood Board Spice Organizer



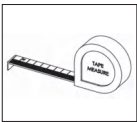
# CARE & MAINTENANCE

- For daily cleaning, use a dry cloth and a soft liquid cleaner.
- Never use abrasive cleaners containing acetone, chlorine or strong bleach. Also, do not use tools such as scrapers, metallic brushes, and other products which can scratch or tarnish surfaces.

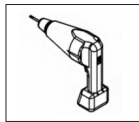
# PRIOR TO INSTALLATION

- Carefully remove all the items from the carton and place them individually on a soft cloth to prevent scratches or other damage.
- Check the included items. If any items are missing or have been damaged during shipment, please contact our service team to obtain any missing or damaged items.
- Carefully and strictly follow these installation instructions to ensure a completed product is as designed.
- Do not tighten all the screws until the product is properly installed.
- Have the necessary tools ready.

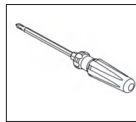
# TOOLS REQUIRED



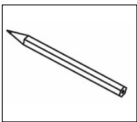
Tapemeasure



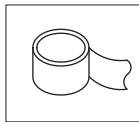
Electrical Drill



Screwdriver



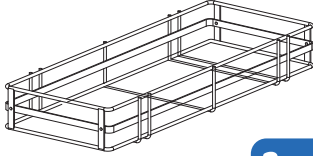
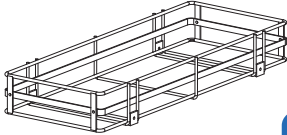
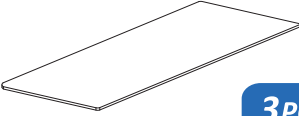
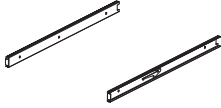
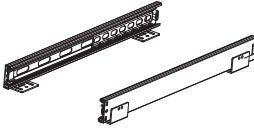

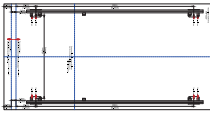
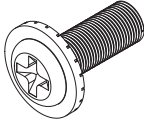
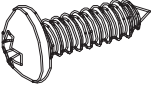
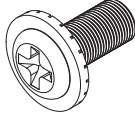
Pencil /Marker



Tape

# PARTS LIST

Your pull-out cabinet organizer should include the following parts, please inspect your box contents to ensure you have received all components.

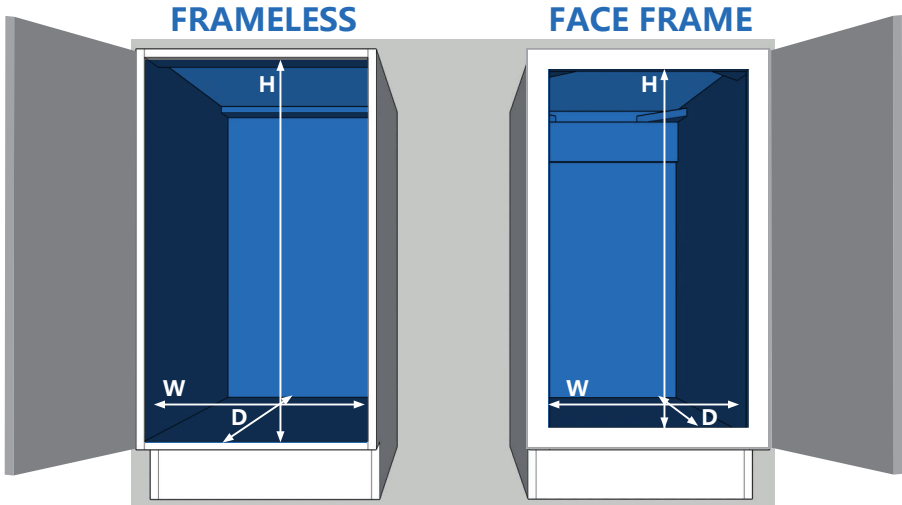
<p>A</p>  <p><b>2PCS</b></p> <p><i>Basket A</i></p>	<p>B</p>  <p><b>1PC</b></p> <p><i>Basket B</i></p>
<p>C</p>  <p><b>3PCS</b></p> <p><i>Wood Block</i></p>	<p>D</p>  <p><b>1pair</b></p> <p><i>Sliding Rail Inner Rail</i></p>
<p>E</p>  <p><b>1pair</b></p> <p><i>Slide Rail Seat</i></p>	<p>F</p>  <p><b>2PCS</b></p> <p><i>Wireframe Bracket</i></p>
<p>G</p>  <p><b>1PC</b></p> <p><i>Mounting Template</i></p>	<p>H</p>  <p><b>12PCS</b></p> <p><i>M4*8 Screw</i></p>
<p>I</p>  <p><b>8PCS</b></p> <p><i>ST4*18 Tapping Screw</i></p>	<p>J</p>  <p><b>4PCS</b></p> <p><i>M4*6 Screw</i></p>

# ARE YOU CHOOSING THE CORRECT SIZE ?

## Ensure the Correct Measurement of the Cabinet

Note: Do not measure from the frame of the cabinet

If your cabinet has hinges, measure the width from the hinges, otherwise the hinges will prevent the basket from being pulled out

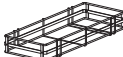






Manufactures products that fit into nearly all cabinet sizes.  
Make sure to correctly measure your cabinets to allow the best fit.

# INSTALLATION INSTRUCTIONS

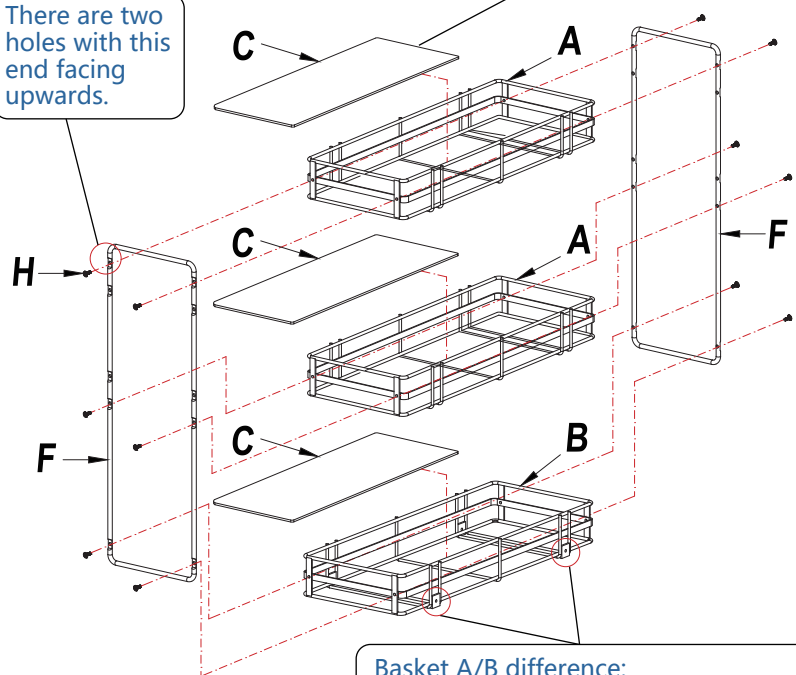
## Step One: Install the basket

1. Prepare basket (A) and (B), Wireframe Bracket (F), ST4\*8 Screw (H), and wooden board (C).
2. ST4\*8 Screw (H) through the screw hole of Wireframe Bracket (F) onto basket (A) and (B).
3. Install three wooden boards (C) into basket (A) and basket (B) respectively.

	A	B	C	F	H
Required Tools					

**NOTE:** The wood block has Double-sided adhesive on the back that can be torn open and fixed to the basket.



There are two holes with this end facing upwards.

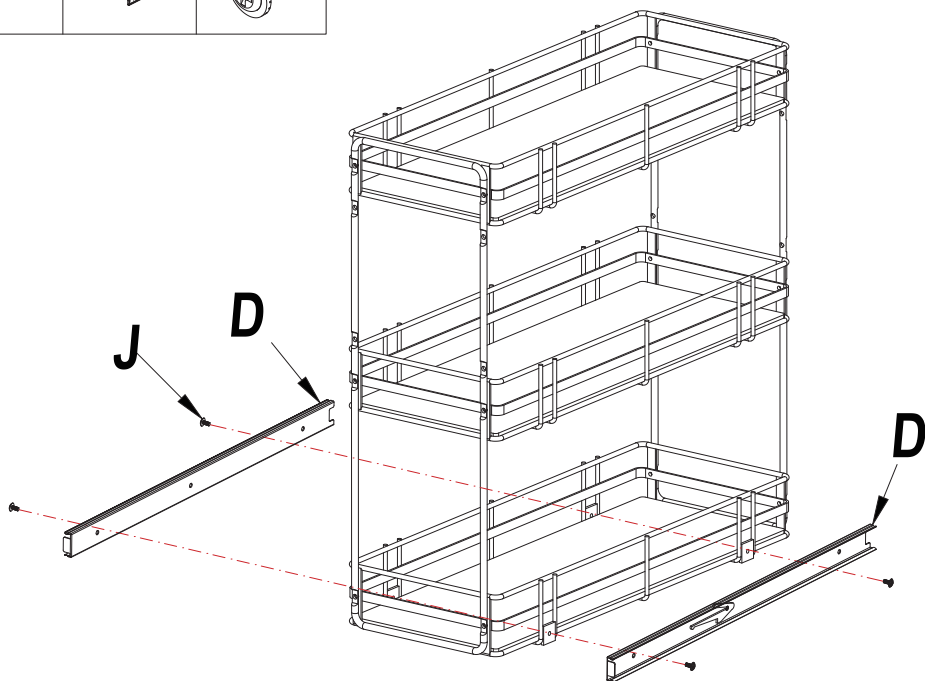


**Basket A/B difference:**  
Basket B has screw holes on both sides.

## Step Two: Install the Sliding Rail Inner Rail (D).

1. Sliding Rail Inner Rail (D).
2. Use ST4x6 screws/through the screw holes on the sliding fixing plate onto the basket assembly.

	D	J
Required Tools		



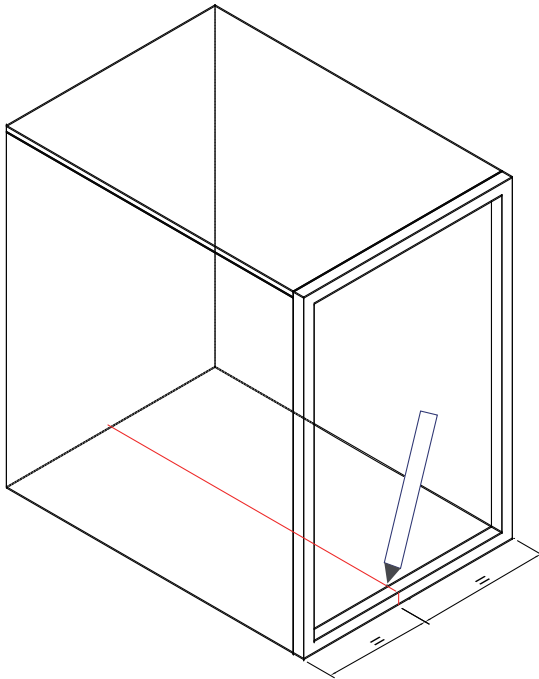
## Step Three: Install the fixed seat of slide rail

Fold the cabinet mounting template (G) on the dotted line to fit the front edge of the cabinet. Then place the cabinet mounting template(G) onto the floor of your cabinet.Using the cabinet mounting template (G) locations, pre-drill the 6 holes ( $\Phi 2.5\text{mm}$ ) at the marked locations, and then remove the template.

**note:** The hole position of the Mounting Template corresponds to the circular position of the slide rail.

### STEP 1

Mark centerline in cabinet.(See Figure 1)

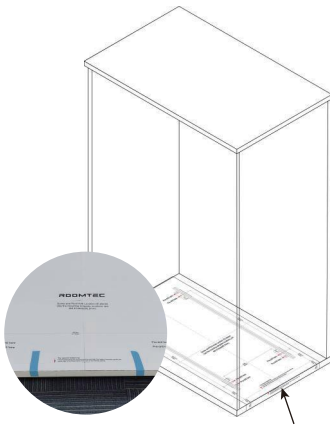


(Figure 1)

## STEP 2

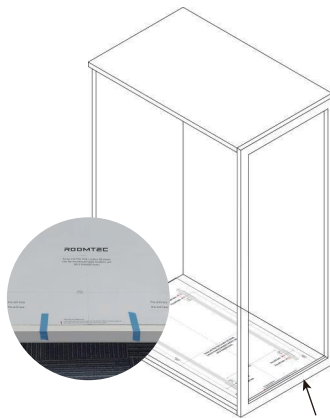
Use Mounting Template(G) to pre-drill holes as follows:

- (1) Lay template inside cabinet.
- (2) Fold template along the first dotted line or the second dotted line to fit the front edge of the cabinet.(See Figure 2, 3)
- (3) Align the template centerline with the centerline marked in the cabinet.
- (4) Taping template to the cabinet to keep template in place.
- (5) Pre-drill eight holes ( $\Phi 2.5\text{mm}$ ) using the mounting template locations.



### ◆ **Frameless Cabinet:**

Fold template along the first dotted line  
(Figure 2)



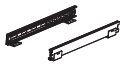

### ◆ **Face Frame Cabinet:**

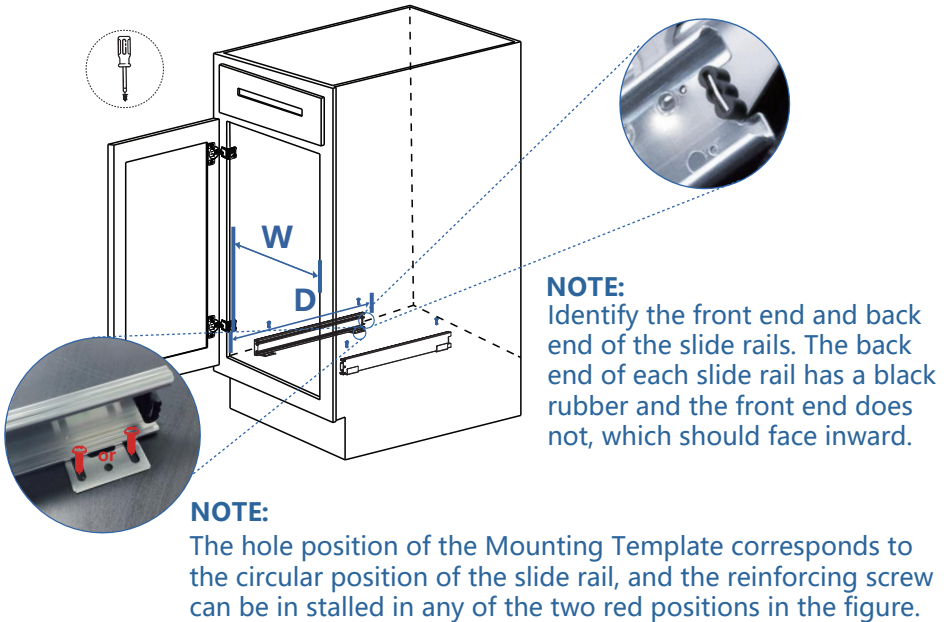
Fold template along the second dotted line  
(Figure 3)

**Note:** The mounting template can be fixed with adhesive tape.

### STEP 3

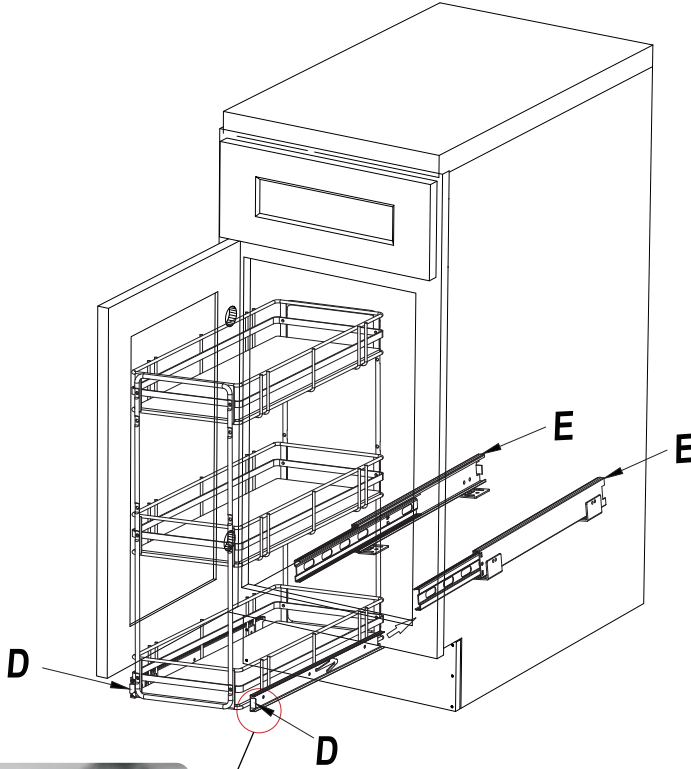
Fix the slide rail seat (E) on the cabinet floor with four ST4\*18 tapping screws (I), and reinforce the slide rail on the base plate with another four ST4\*18 tapping screws (I). Reference figure shown.

	E	I
Required Tools		



## Step Four: Combination installation

1. Prepare the second step basket assembly and the third step slide rail fixed seat assembly.
2. Insert the basket assembly slide rail fixing plate into the slide rail fixing seat assembly.
3. Complete the installation.



Facing forward, pushing directly inward.

# AFTER-SALES SERVICE CARD

We sincerely thank you for trusting our service and our products, and may this product add enrichment to your home. We guarantee that the product has undergone strict quality inspection and meticulous packaging. If you encounter any issues regarding either shipping or the product, please feel free to contact us at any time. We'd be more than happy to serve you wholeheartedly.

Yours Sincerely

- Please clean with a damp cloth and wipe dry.
- Please avoid harsh, corrosive and abrasive cleaners.

If you have any questions or concerns, please feel free to contact us.  
We're committed to providing our customers with quality service.