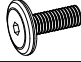


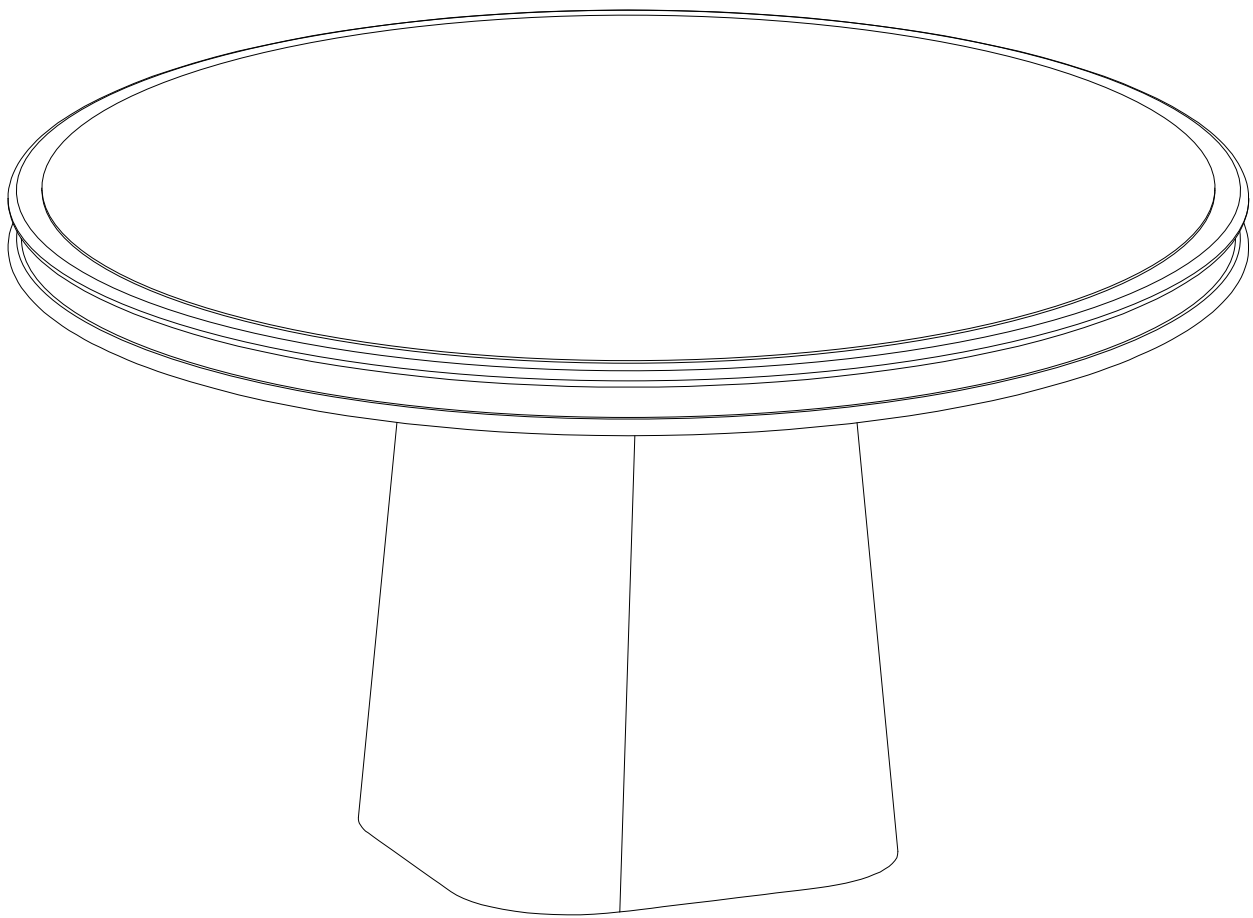


ASSEMBLY INSTRUCTION FOR

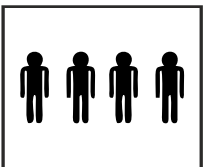
BOURNE DINING TABLE

Hardware List

A		Allen Bolt ø8 x 20 mm	04
B		Washer	04
C		Allenkey	01



Number of persons required to assemble this product

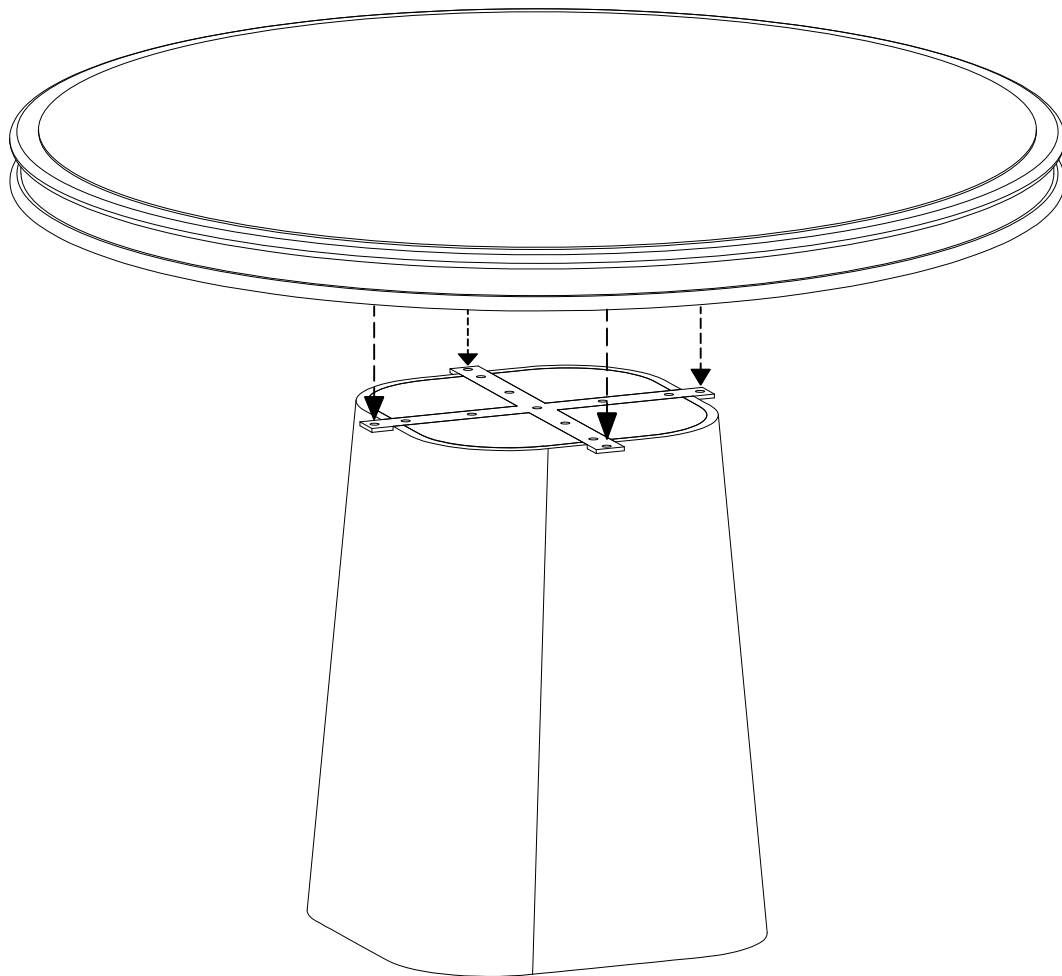


CAUTION : Please assemble with utmost care since the item is very heavy.

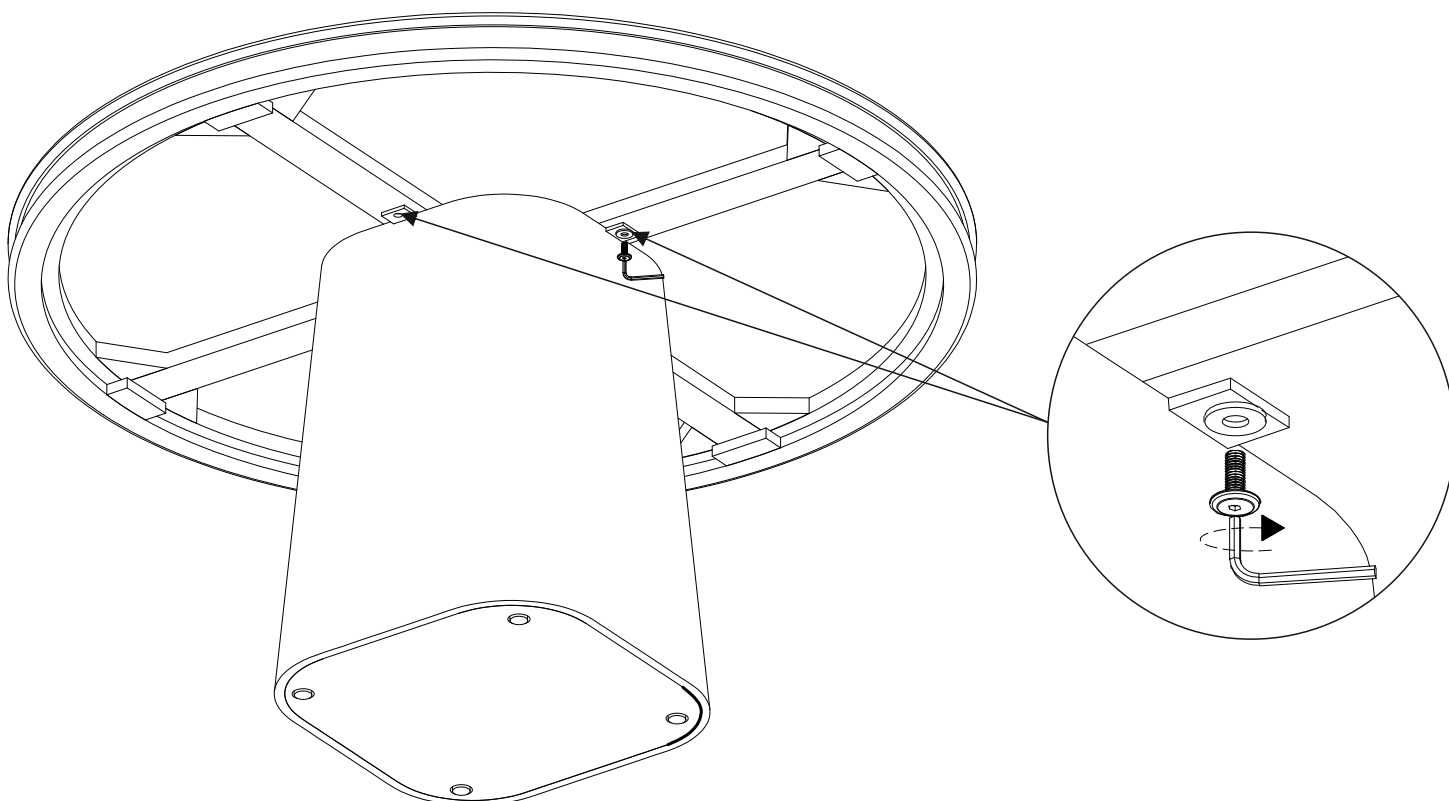
CAUTION : Please do not over tighten bolt / Screws

CAUTION : Please assemble on mat or soft surface

Step 1



Step 2



Step 3

Adjusting Floor Levelers

Your furniture has been expertly crafted and pre-adjusted by professionals. However, slight shifts can occur during transportation. If you notice that the doors are not perfectly aligned or the furniture wobbles, a quick adjustment can help ensure stability and a seamless look.

Step 1: Adjust the Floor Levelers

Check for Stability – Place the furniture in its final position on a level surface. If it wobbles or doesn't sit evenly, the floor levelers need adjusting.

Locate the Levelers – These are small adjustable feet found at the bottom corners of your furniture.

Adjust as Needed – Using your hand or a wrench, turn the levelers clockwise to raise or counterclockwise to lower the furniture. Make small adjustments and check stability after each turn.

