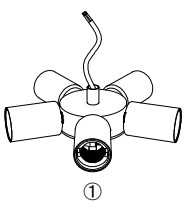
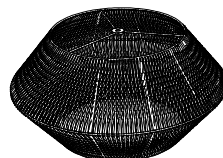
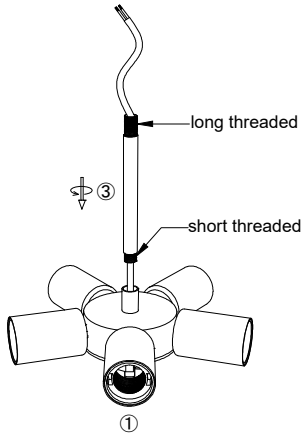
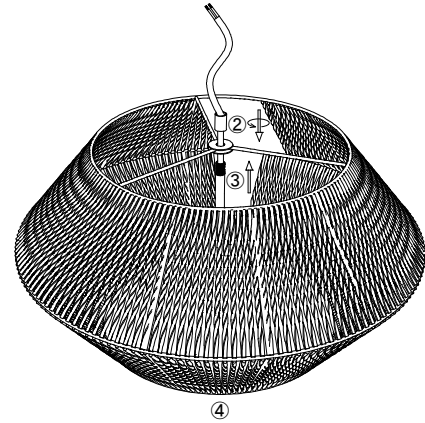


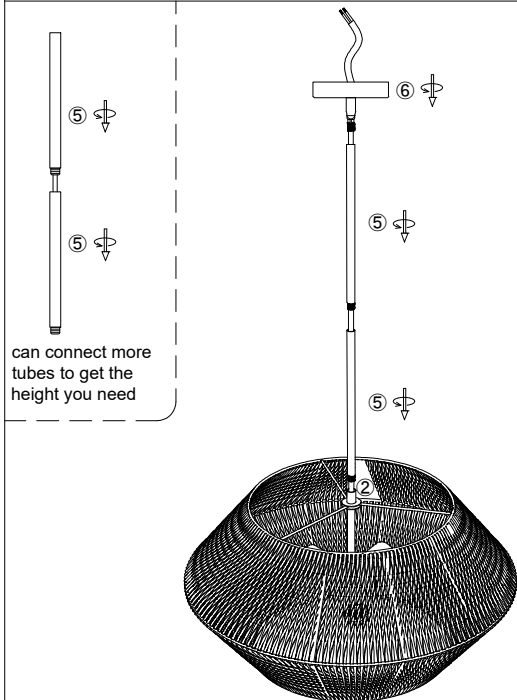
<p>①</p>  <p>① light fixture 1pcs</p>	<p>② threaded nut</p> <p>③ hanging tube 1pcs</p>	<p>④ lampshade 1pcs</p> 	<p>⑤ hanging tube 4pcs</p>	<p>⑥ canopy 1pcs</p> <p>⑦ cap nut 2pcs</p>	<p>⊗ X 1PCS</p> <p>⊠ X 1PCS</p> <p>⚡ X 3PCS</p> <p>⊞ X 3PCS</p> <p>⚡ X 3PCS</p> <p>⚡ X 3PCS</p>
--	--	---	----------------------------	--	---



1. Let the wire of the fixture ① go through the hanging tube ③, rotate to fix the tube ③ to the fixture.

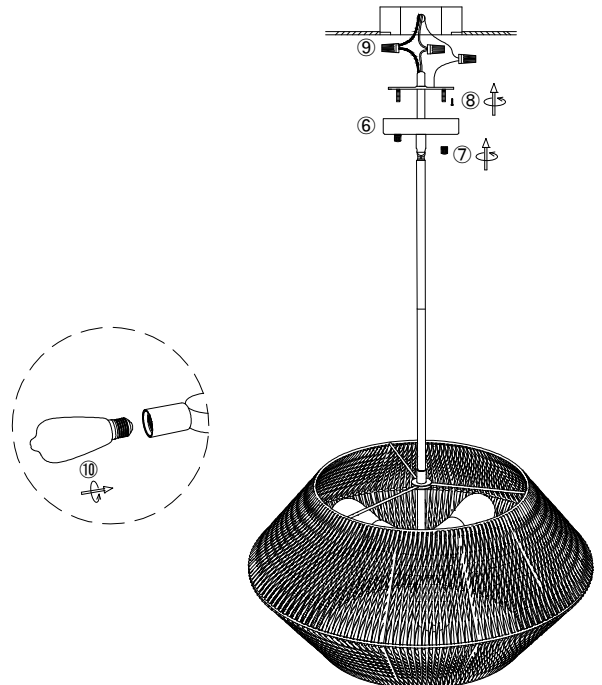


2. Let the wire and the tube ③ go through the lampshade ④ and threaded nut ②, rotate nut ② to fasten all parts together.



3. Rotate to install the tubes ⑤ to the fixture. (can connect more tubes to get the height you need)

4. Let the wire go through the canopy ⑥, rotate to install the canopy ⑥ to the fixture.



5. Install the bracket to the ceiling junction box with screw ⑧.

6. Connect the wire to your home line with cap connector ⑨.

7. Install the fixture to the bracket with cap nut ⑦.

8. Install the bulb ⑩.

**Please read carefully before installation!!!**

**Note : Please make sure that the electricity is powered off during installation !**

**Only a professional electrician should install this kind of product !**