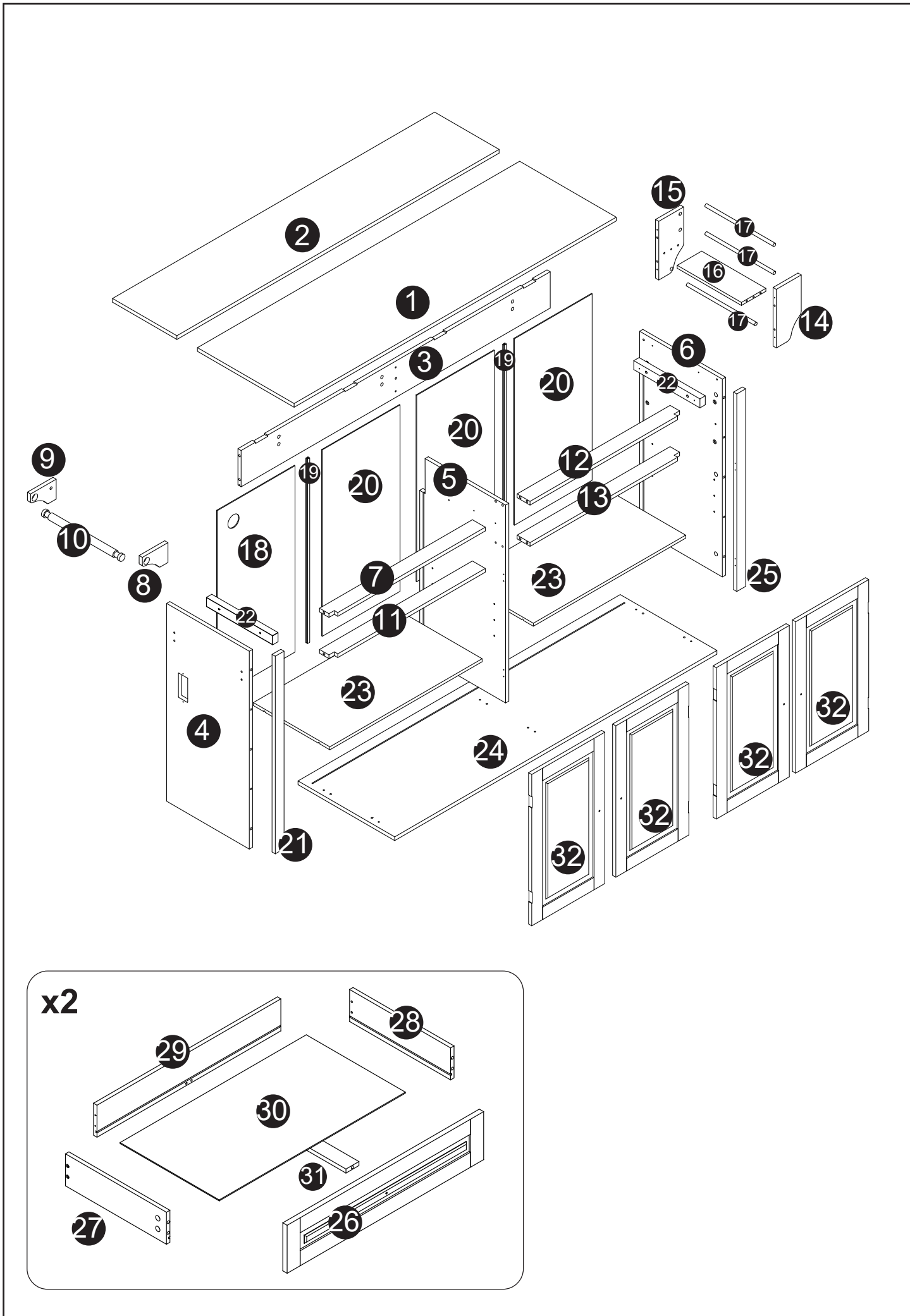
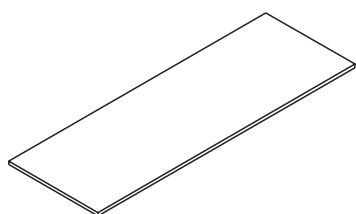


ASSEMBLY INSTRUCTION

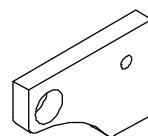
HKDM068



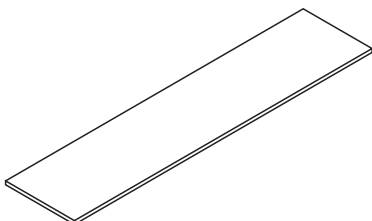




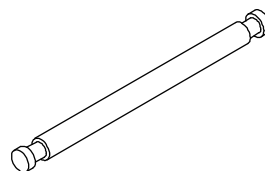
1 x 1



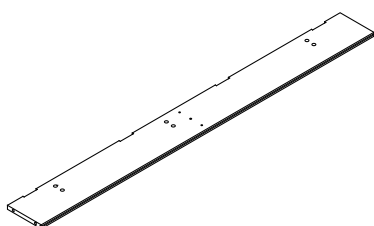
9 x 1



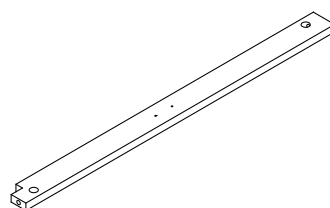
2 x 1



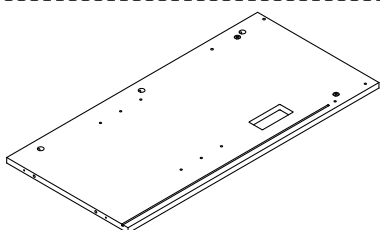
10 x 1



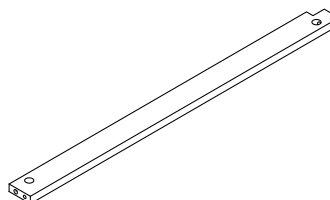
3 x 1



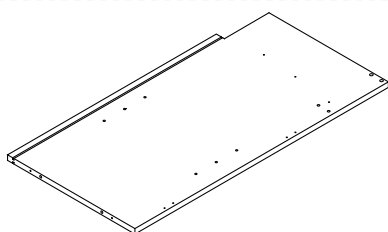
11 x 1



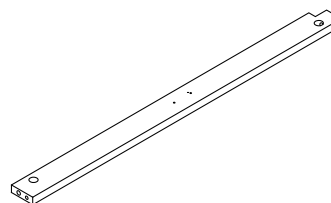
4 x 1



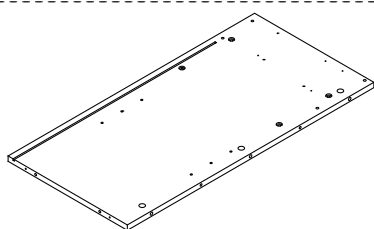
12 x 1



5 x 1



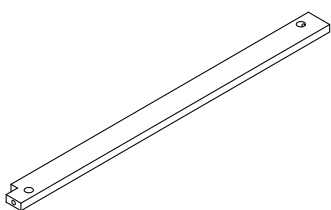
13 x 1



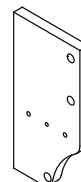
6 x 1



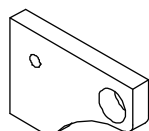
14 x 1



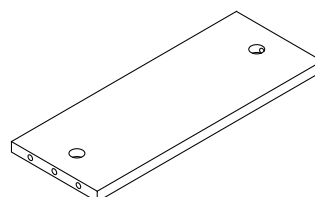
7 x 1



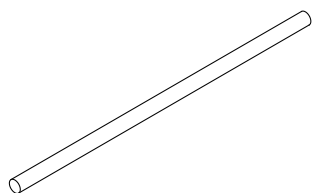
15 x 1



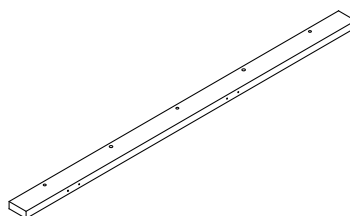
8 x 1



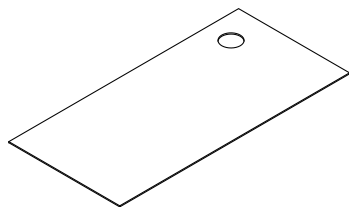
16 x 1



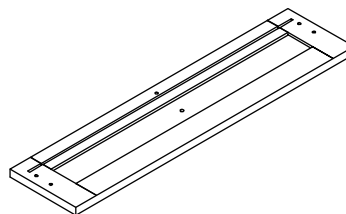
17x3



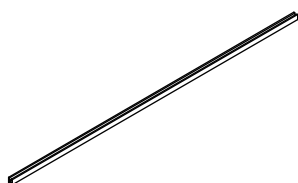
25x1



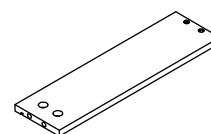
18x1



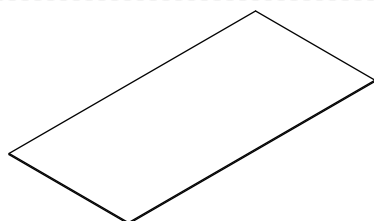
26x2



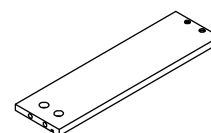
19x2



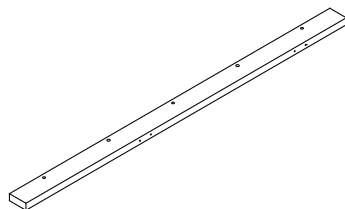
27x2



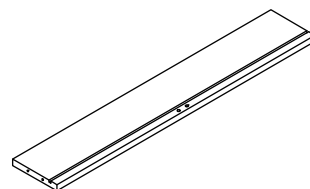
20x3



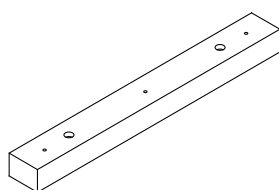
28x2



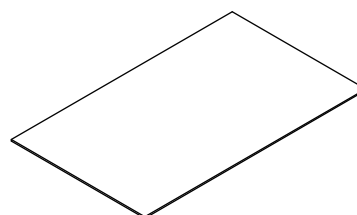
21x1



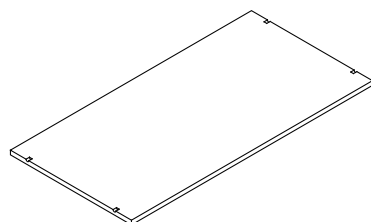
29x2



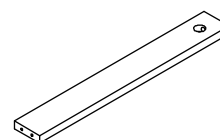
22x2



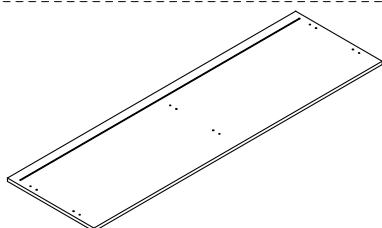
30x2



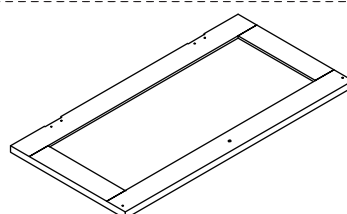
23x2



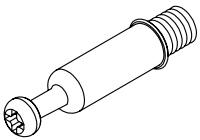
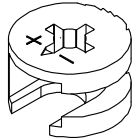
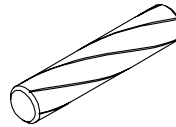
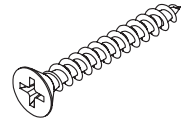
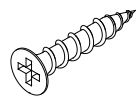
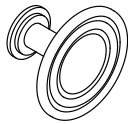

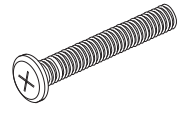
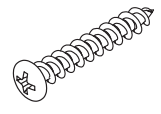
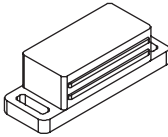
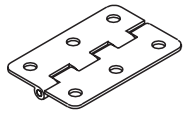
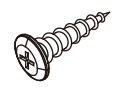
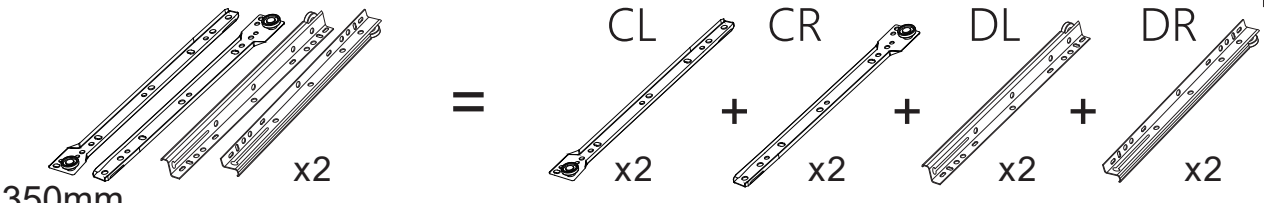
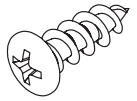
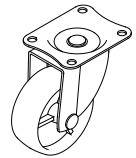
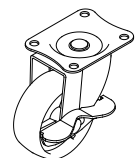
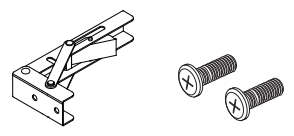
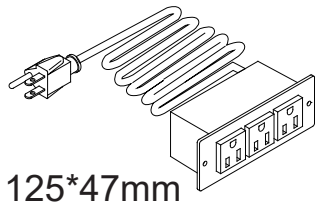
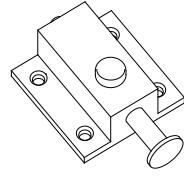
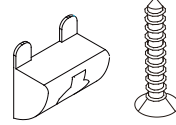
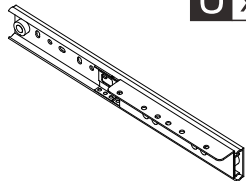
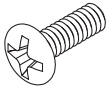
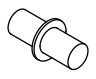
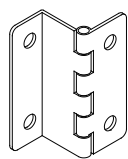
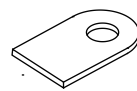
31x2



24x1

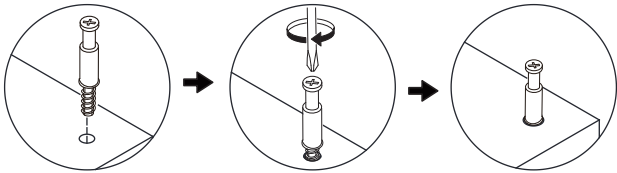
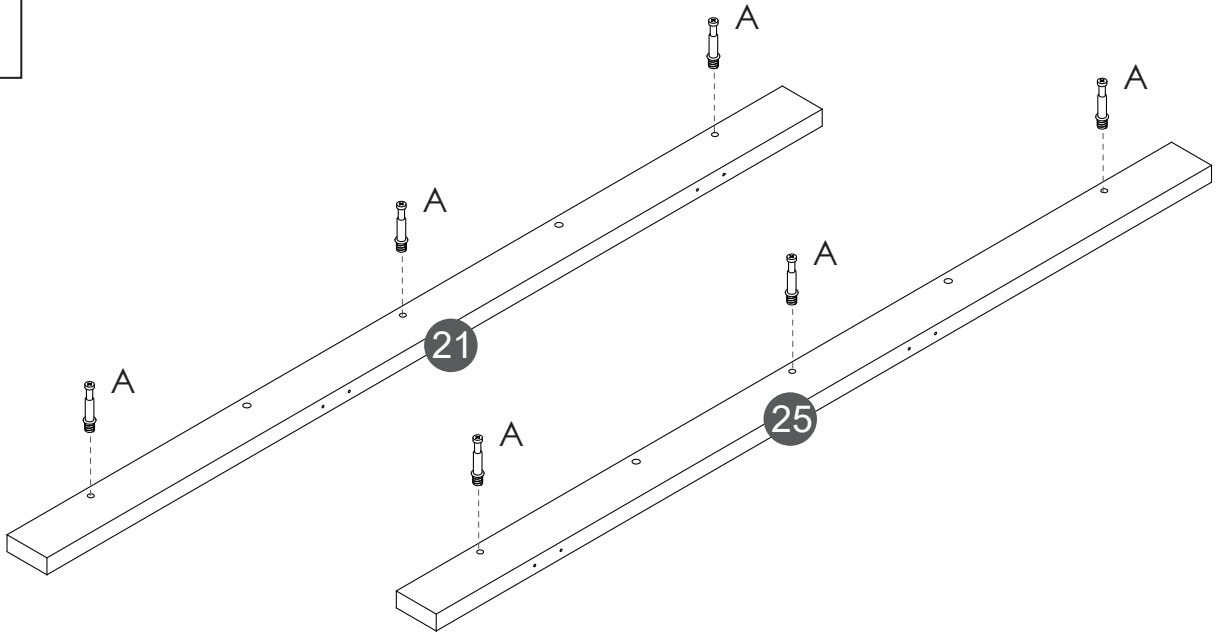
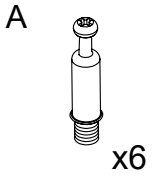


32x4

<p>A x30</p>  <p>6x35mm</p>	<p>B x30</p>  <p>15x9.5mm</p>	<p>C x29</p>  <p>6x30mm</p>	<p>D x24</p>  <p>4x40mm</p>
<p>E x108</p>  <p>3x14mm</p>	<p>F x6</p>  <p>3x14mm</p>	<p>G x2</p>  <p>6x10mm</p>	<p>H x2</p>  <p>6x45mm</p>
<p>I x4</p>  <p>4x30mm</p>	<p>J x2</p> 	<p>K x4</p> 	<p>L x4</p>  <p>3x16mm</p>
<p>M x2</p>  <p>350mm</p>			
<p>N x20</p>  <p>5x14mm</p>	<p>O x3</p> 	<p>P x2</p> 	<p>Q x3</p>  <p>150*73mm 6x15mm</p>
<p>R x1</p>  <p>125*47mm</p>	<p>S x1</p> 	<p>T x12</p>  <p>3x16mm</p>	<p>U x3</p>  <p>300mm</p>
<p>V x6</p>  <p>4x12mm</p>	<p>W x4</p>  <p>5x17mm</p>	<p>X x8</p> 	<p>Y x4</p>  <p>23x12mm</p>

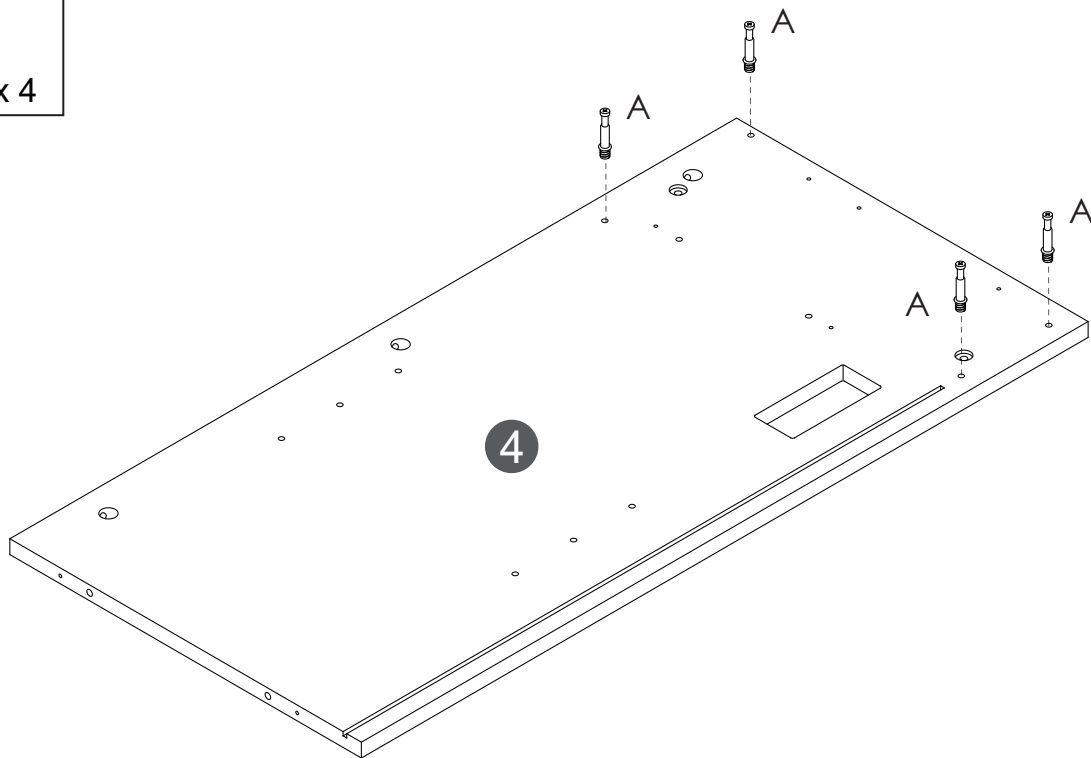
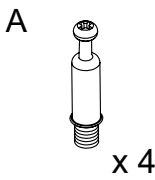
You will need

01



You will need

02



You will need

C

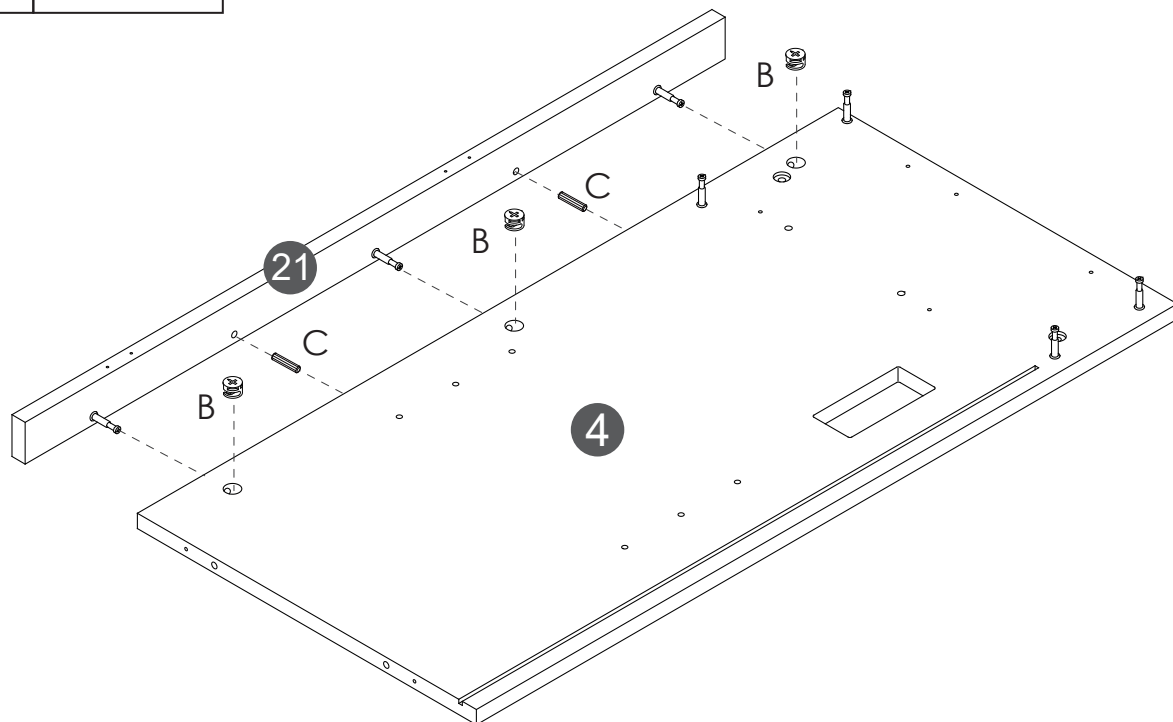


x2

B



x3



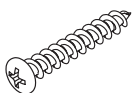
You will need

C

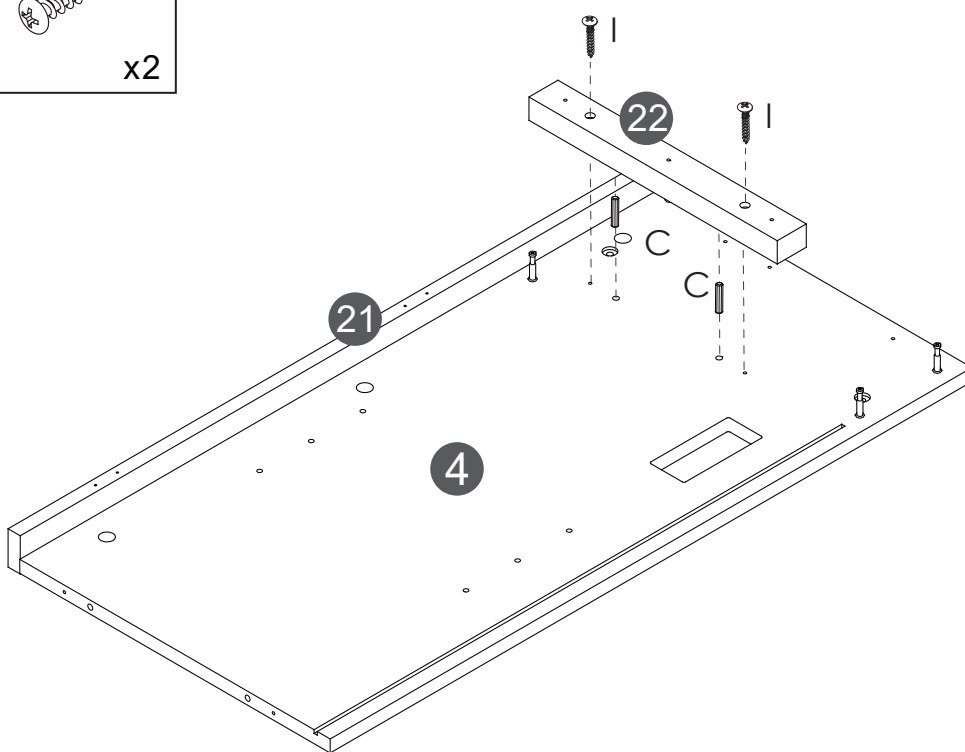


x2

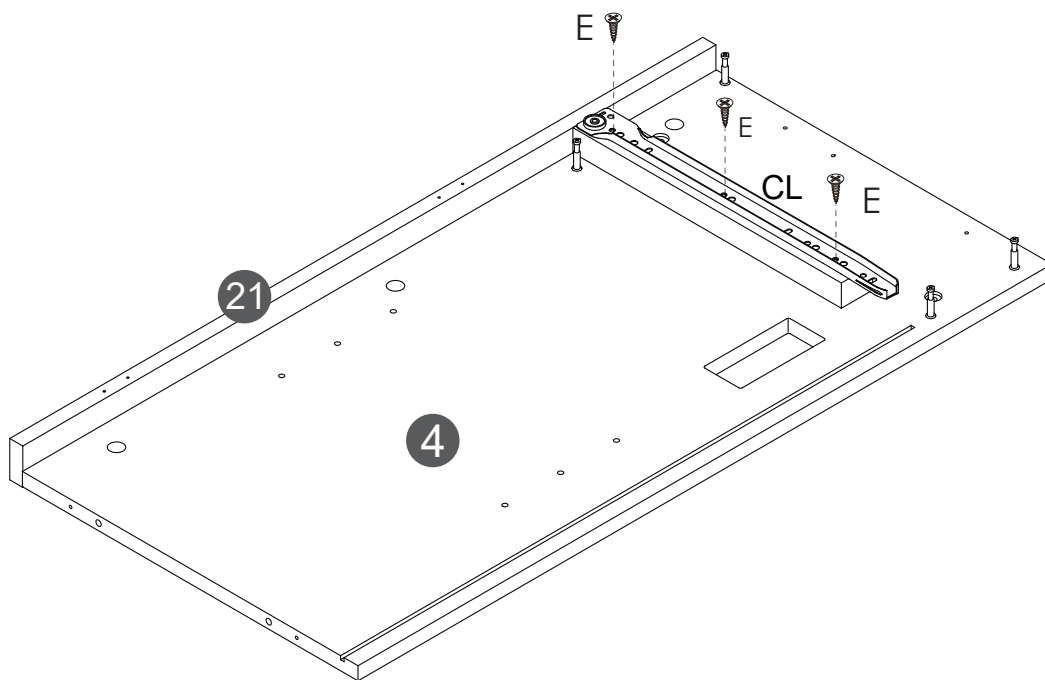
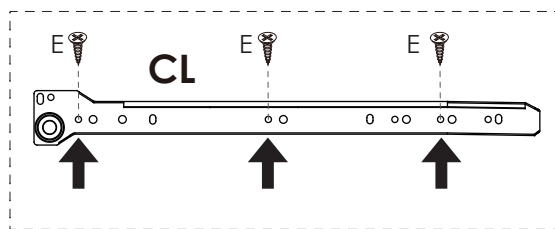
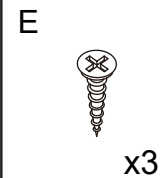
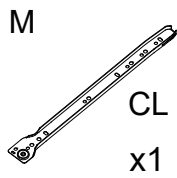
I



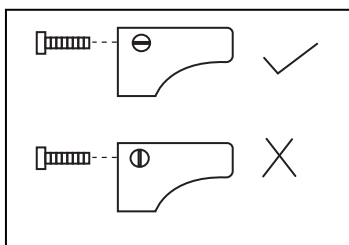
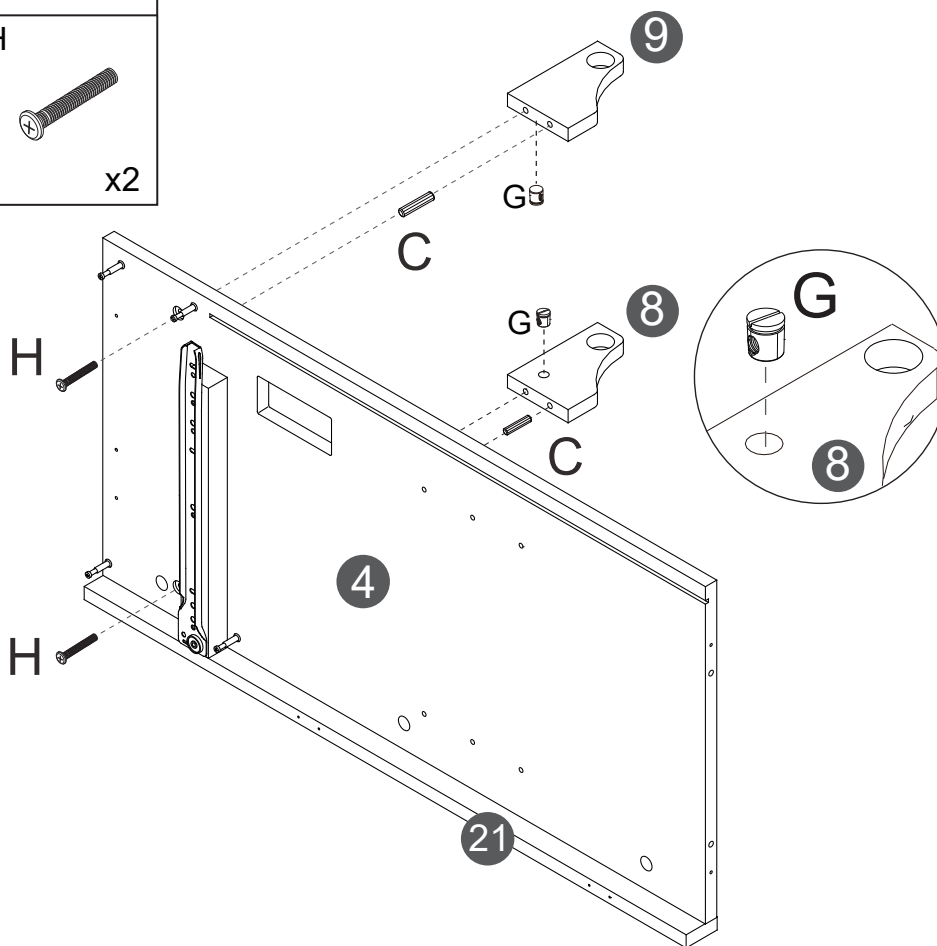
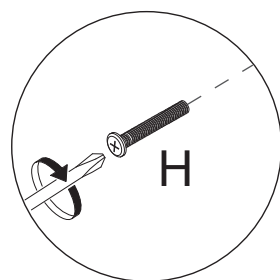
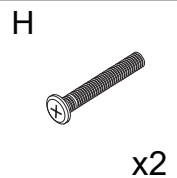
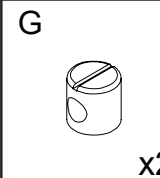
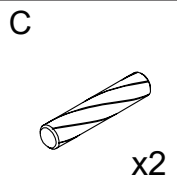
x2



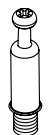
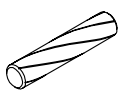

You will need

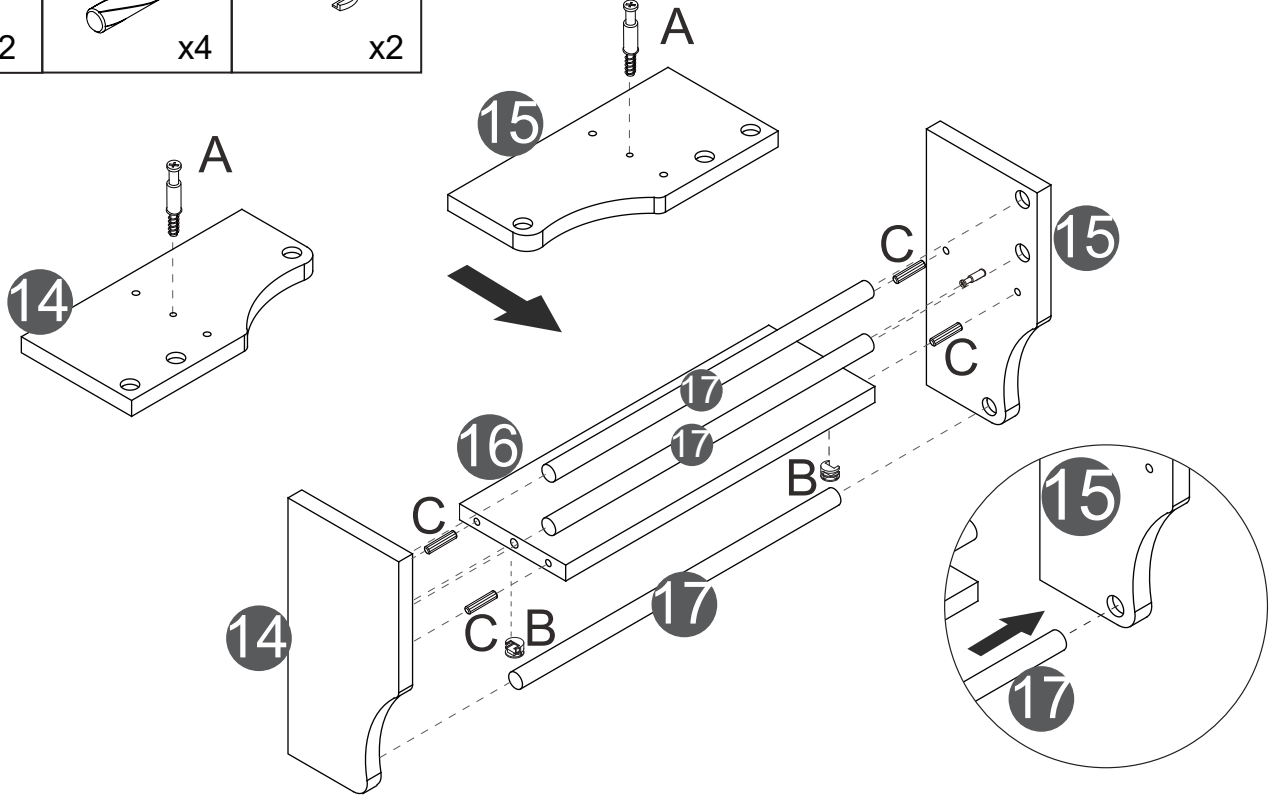


You will need

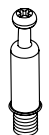


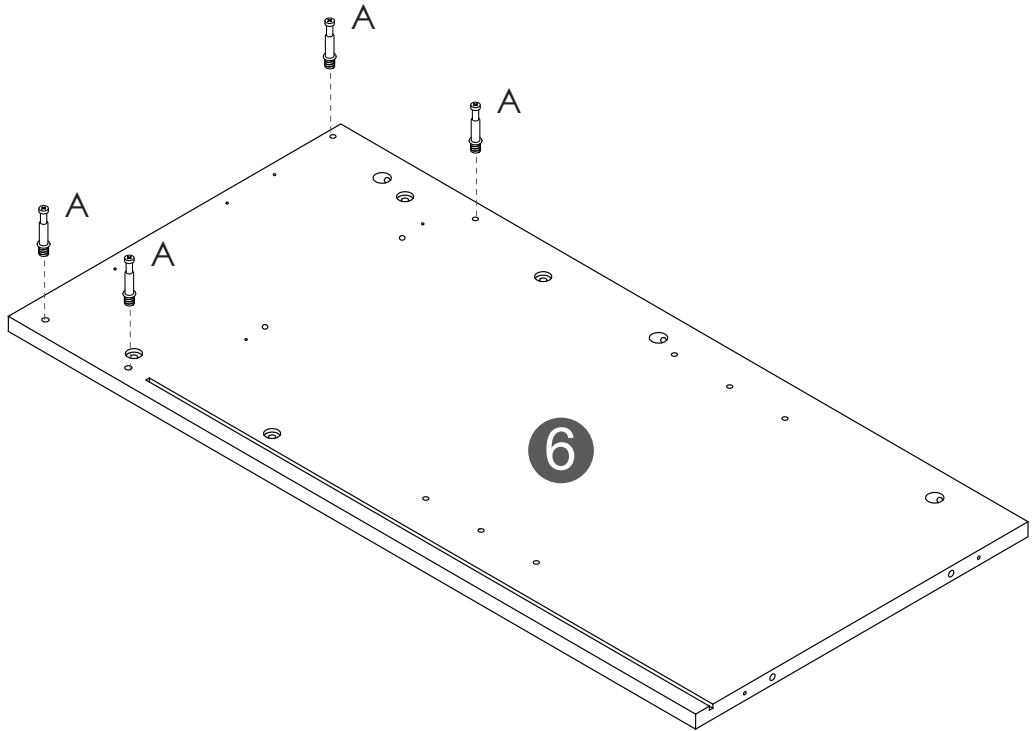
You will need

- | | | |
|---|---|---|
| <p>A</p>  <p>x 2</p> | <p>C</p>  <p>x 4</p> | <p>B</p>  <p>x 2</p> |
|---|---|---|



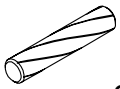
You will need

- | |
|---|
| <p>A</p>  <p>x 4</p> |
|---|



You will need

C

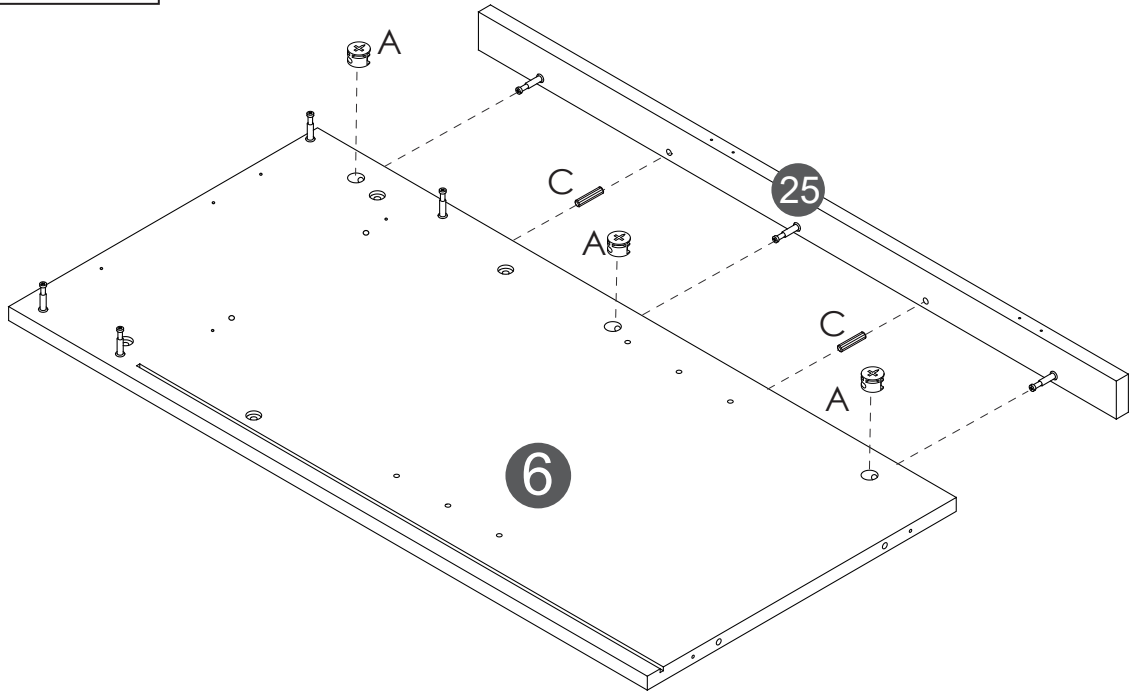


x2

B

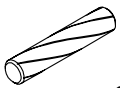


x3



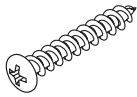
You will need

C

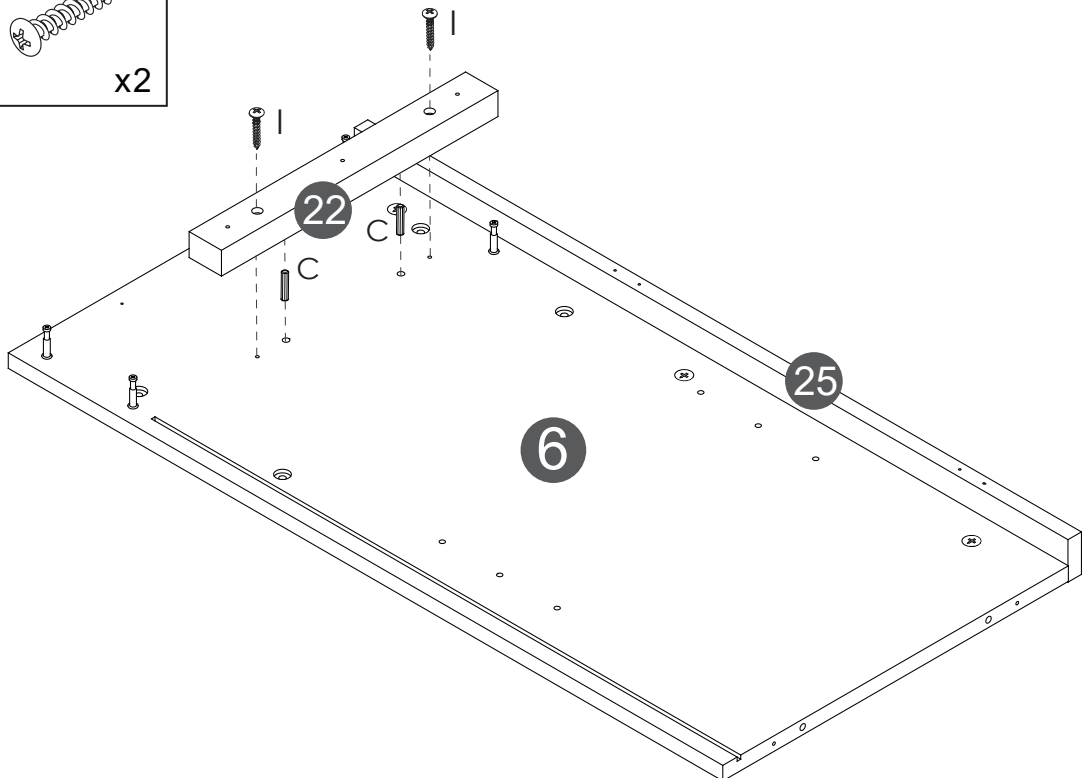


x2

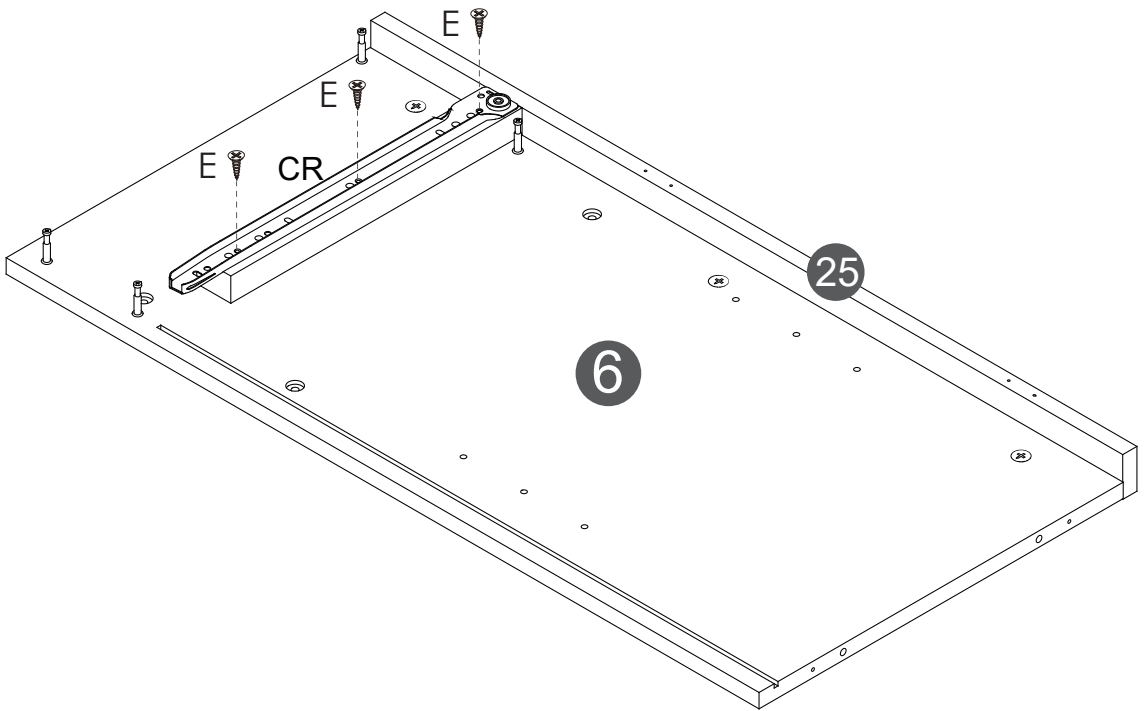
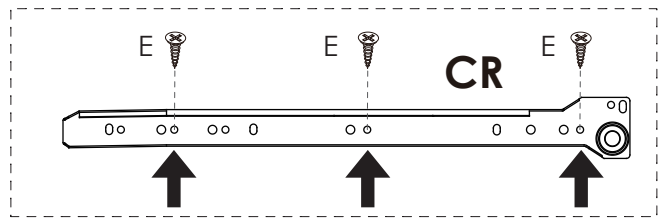
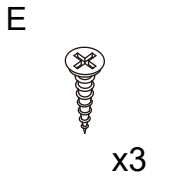
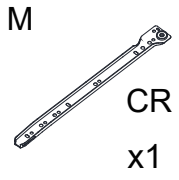
I



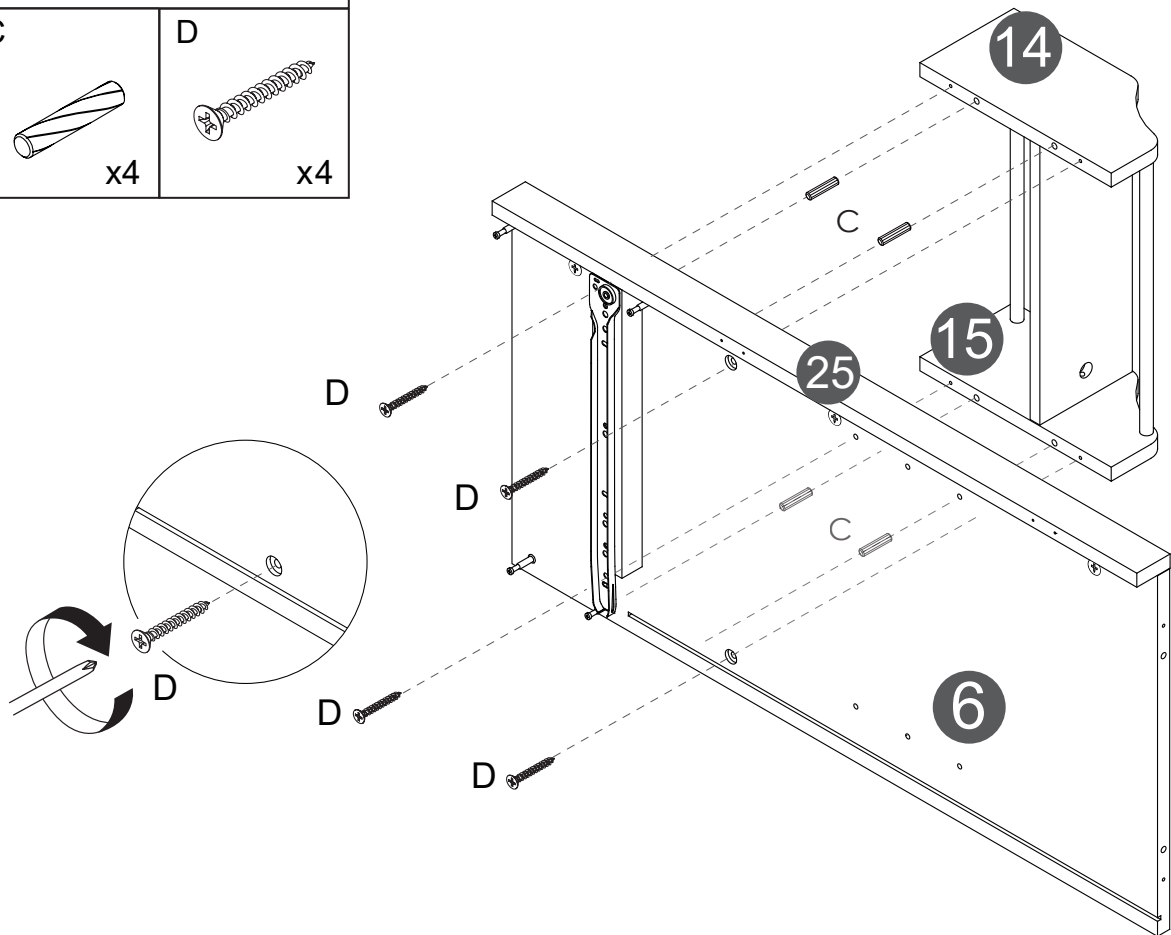
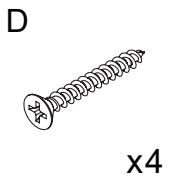
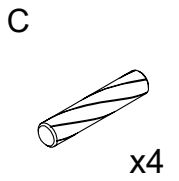
x2



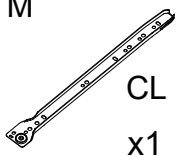

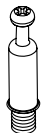
You will need

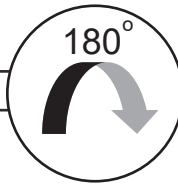
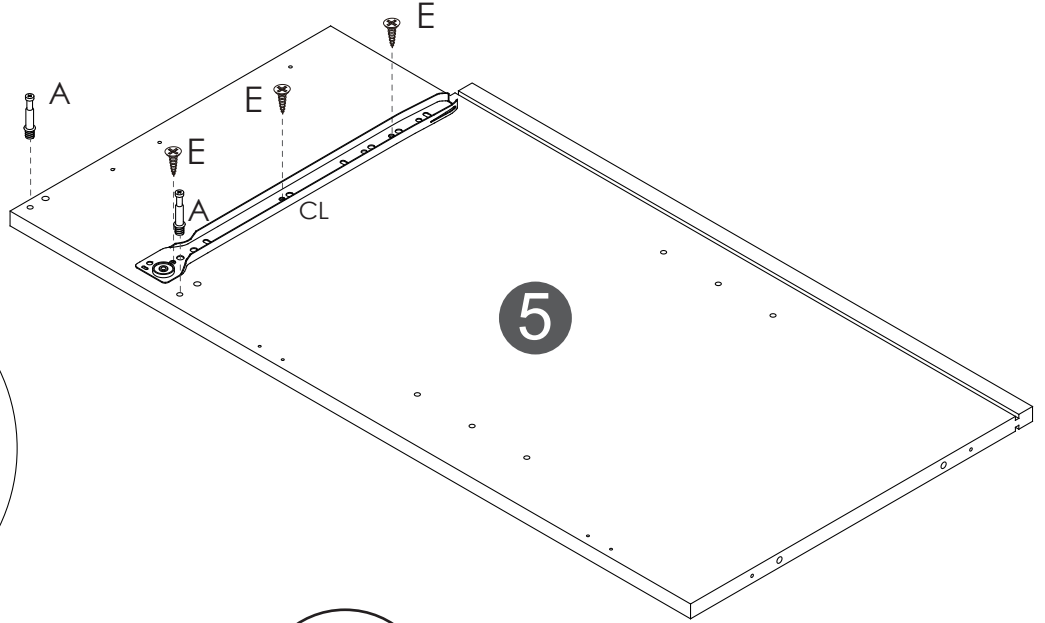
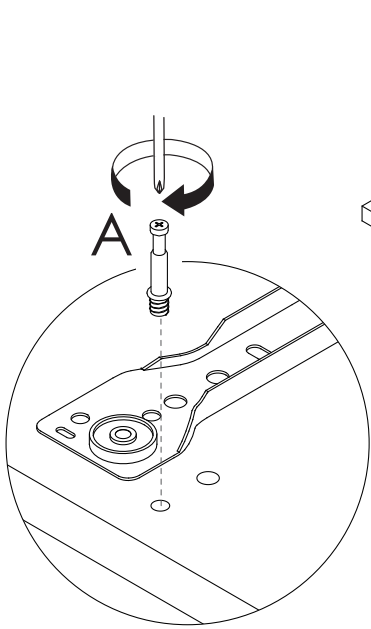
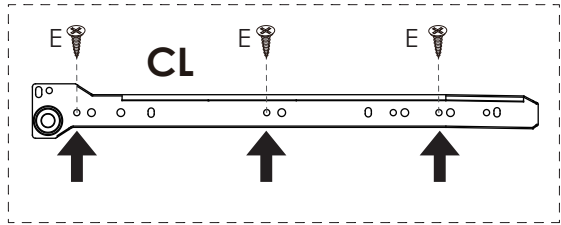


You will need

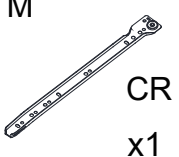

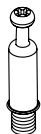


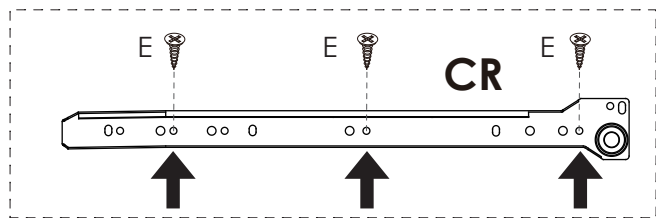
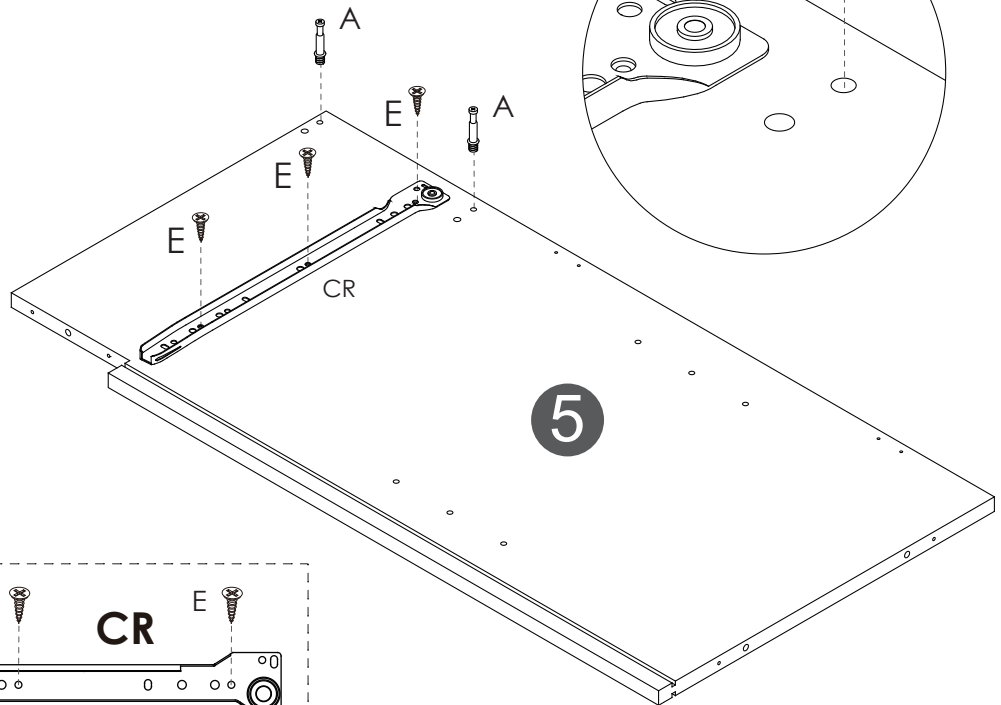
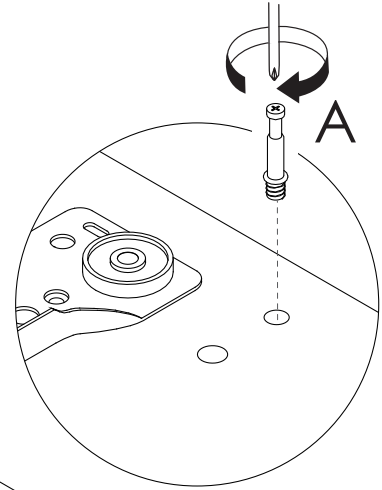
You will need

M	E	A
		
CL x1	x3	x2



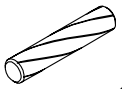
You will need

M	E	A
		
CR x1	x3	x2



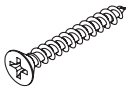
You will need

C

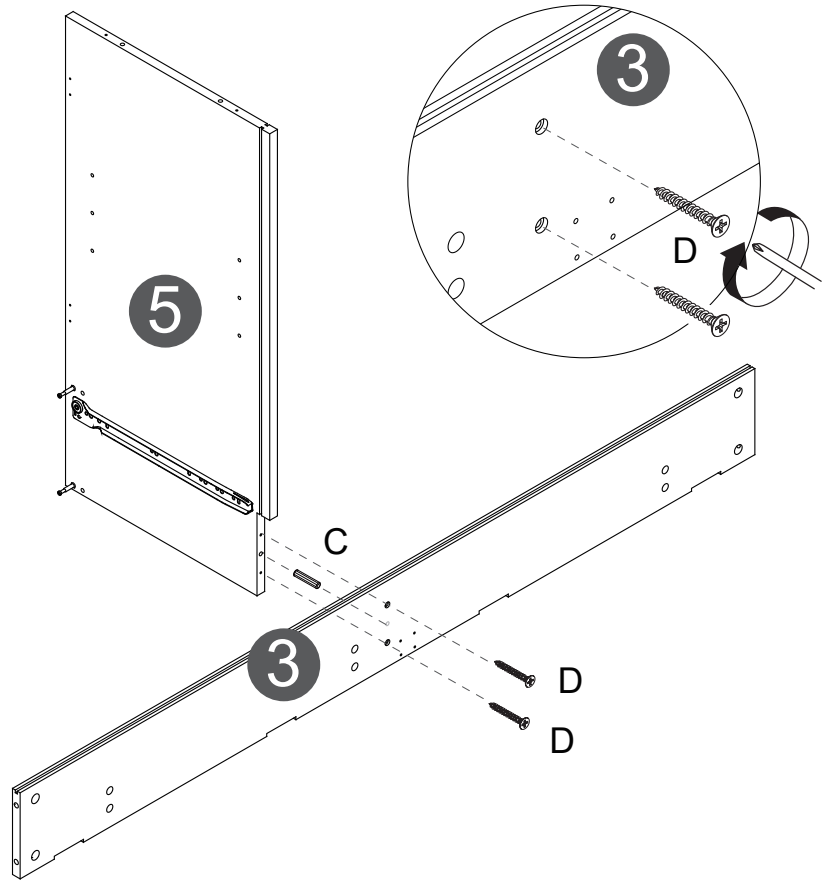


x1

D

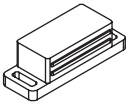


x2



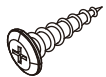
You will need

J

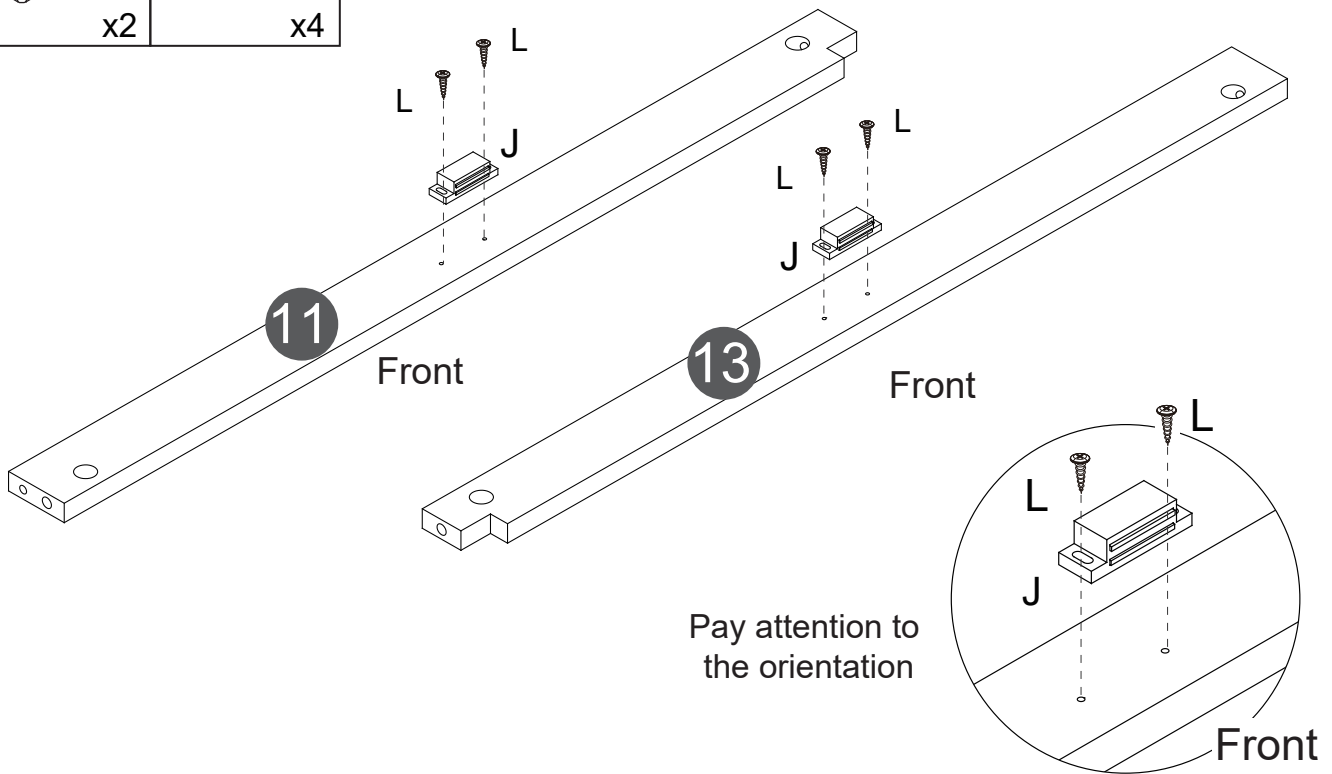


x2

L

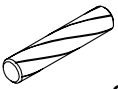


x4



You will need

C

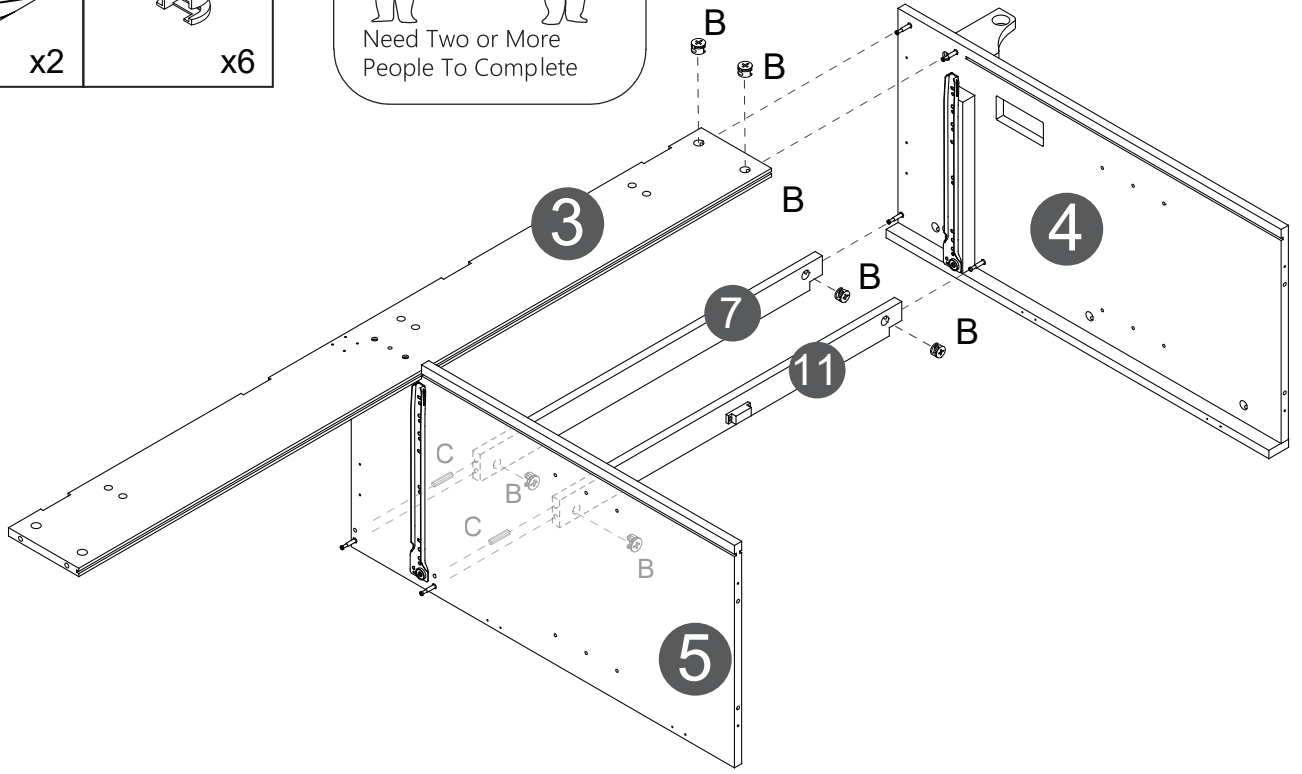
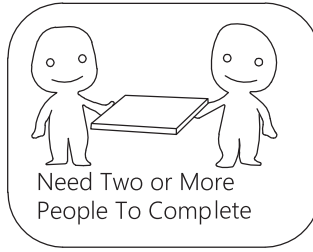


x2

B



x6



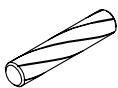
You will need

B

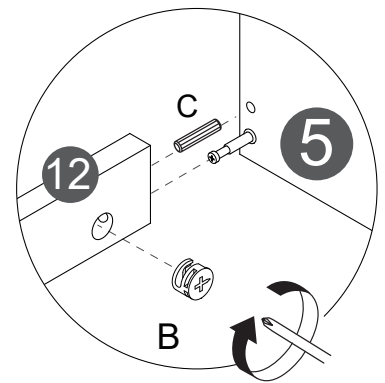
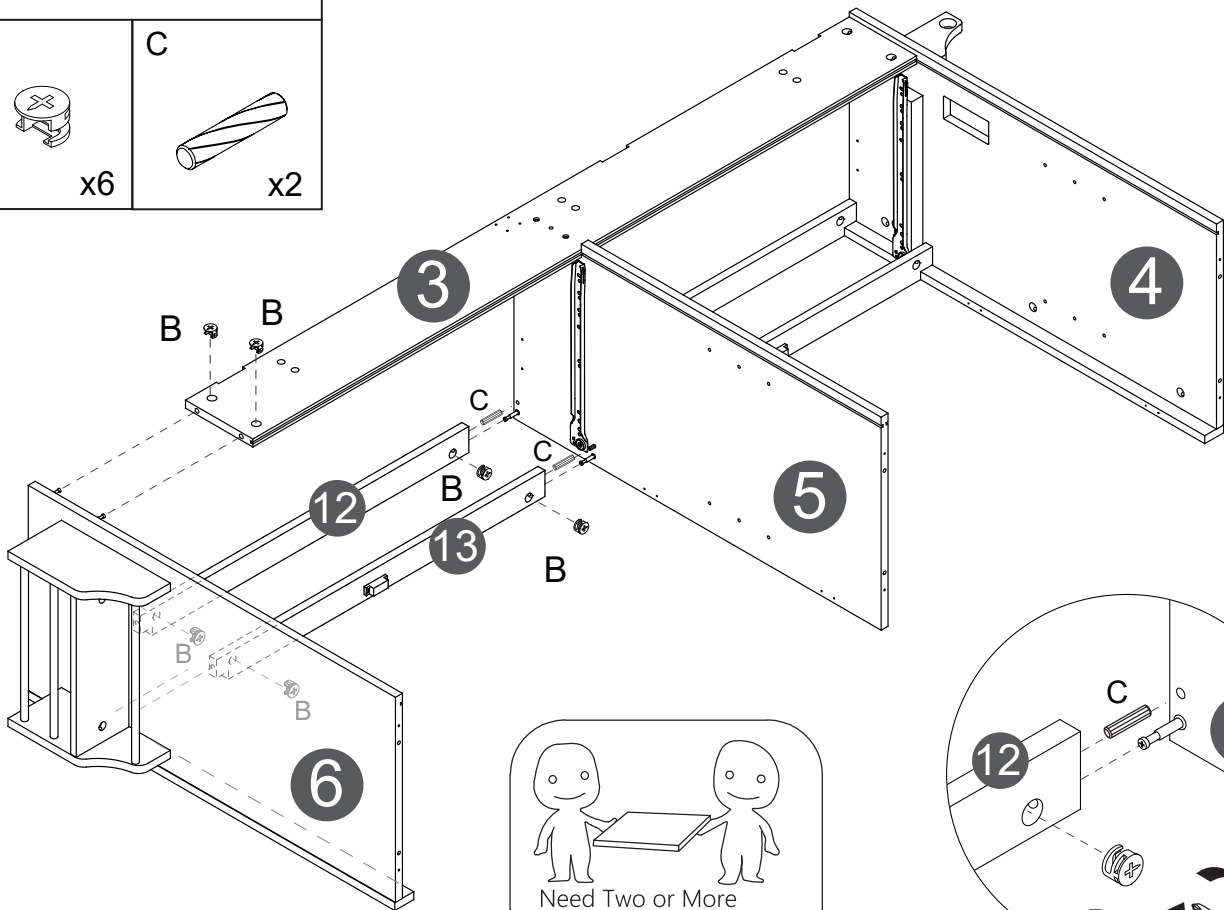
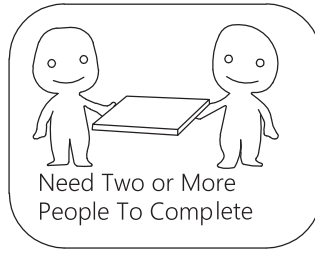


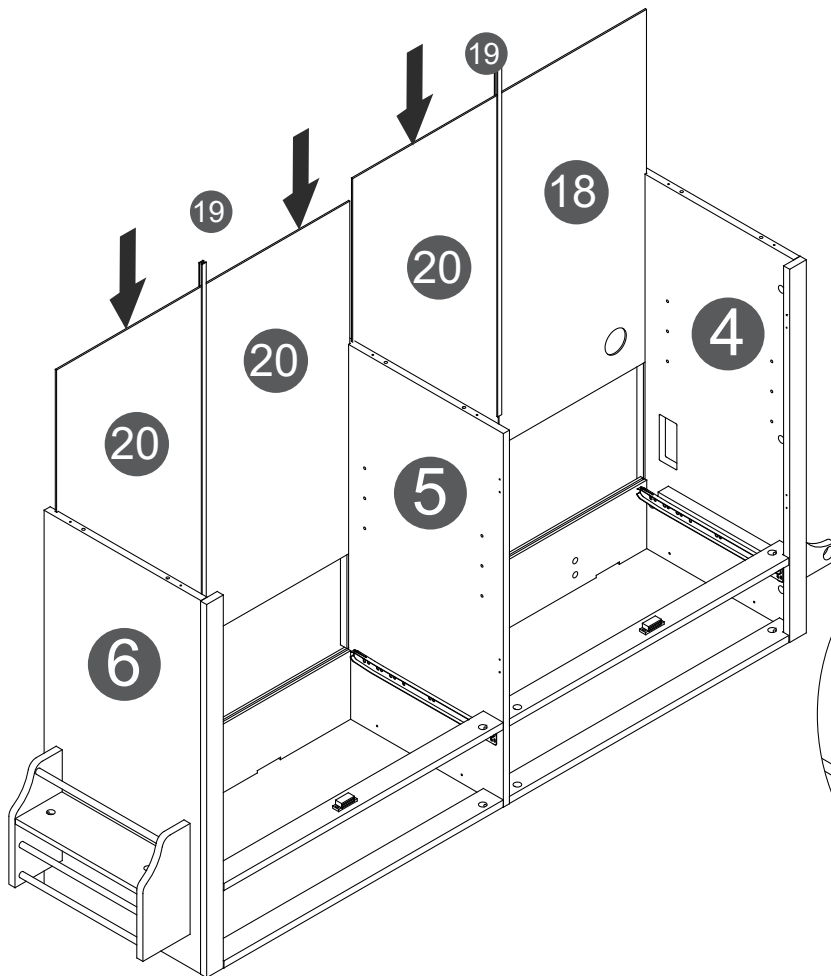
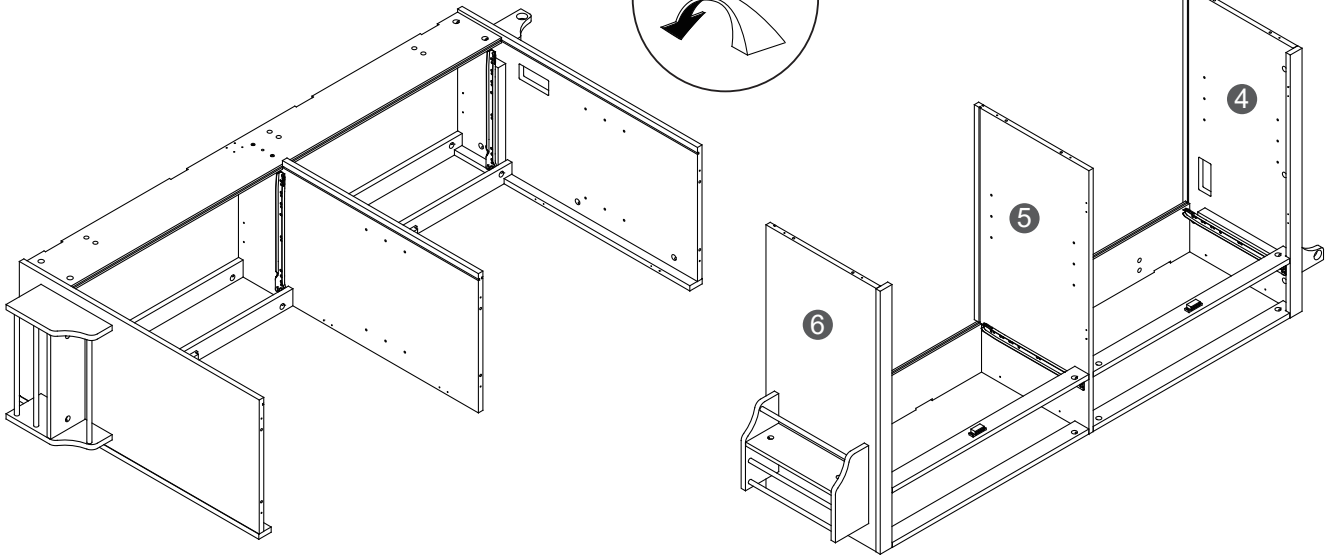
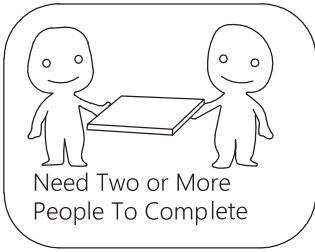
x6

C

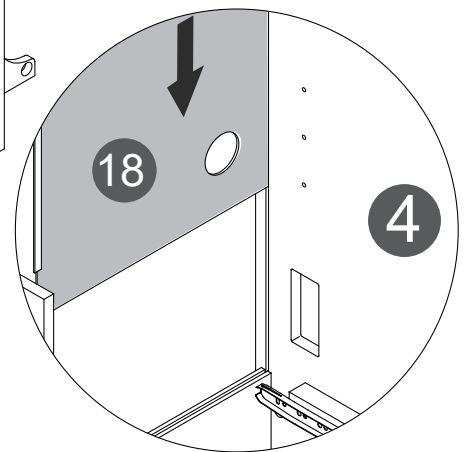


x2



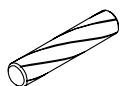


18 Pay attention to the orientation of the hole



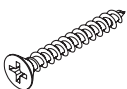
You will need

C



x6

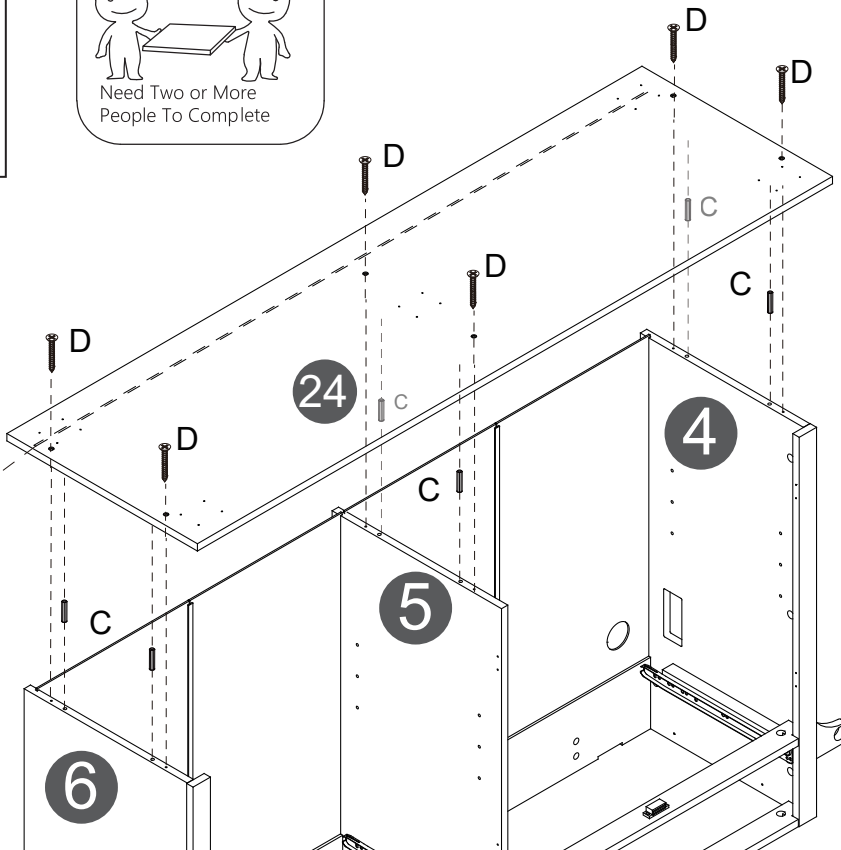
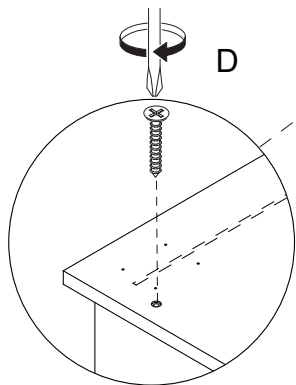
D



x6

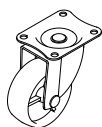


Need Two or More People To Complete



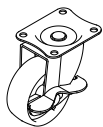
You will need

O



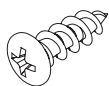
x3

P

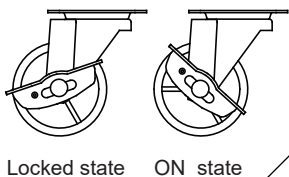


x2

N



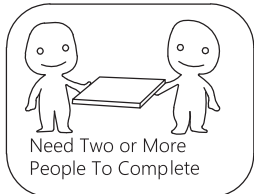
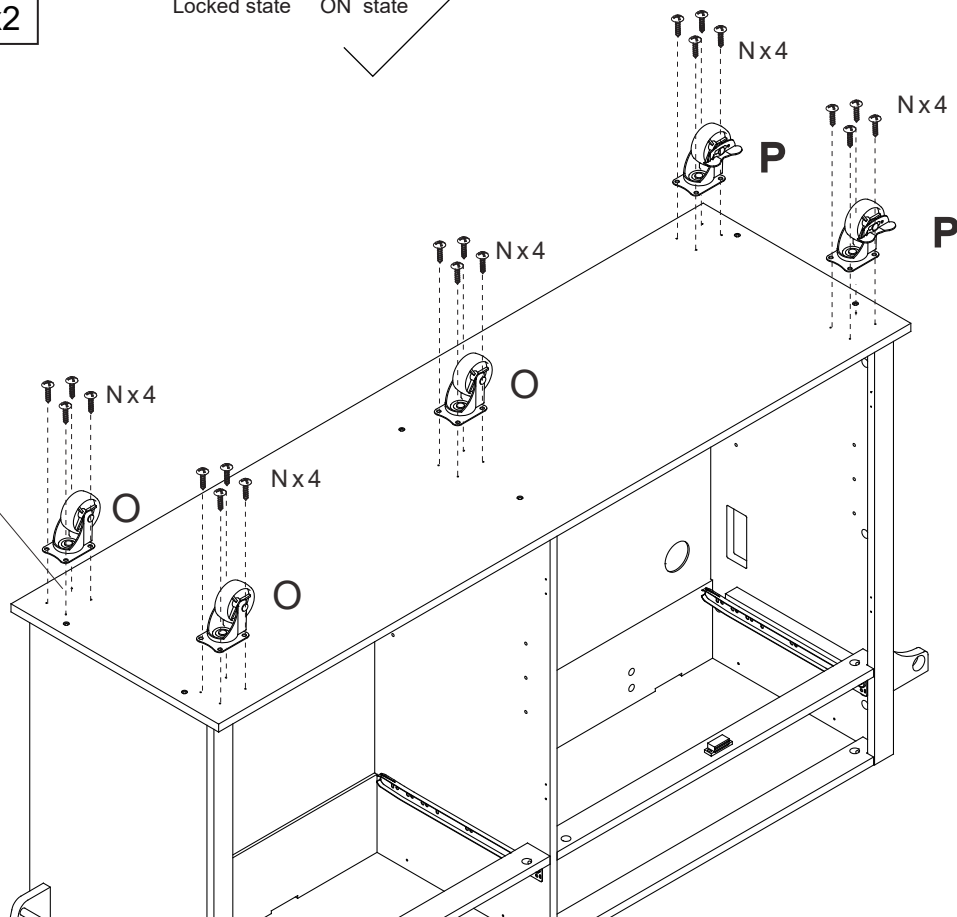
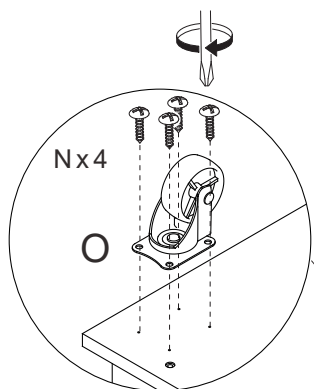
x20



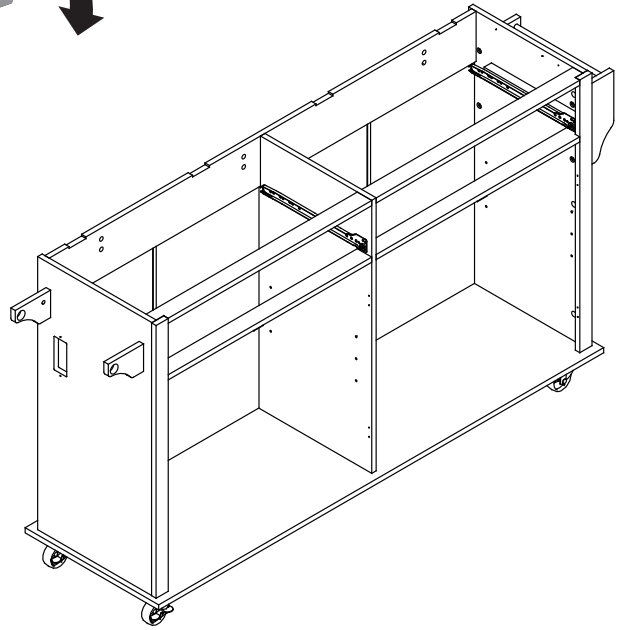
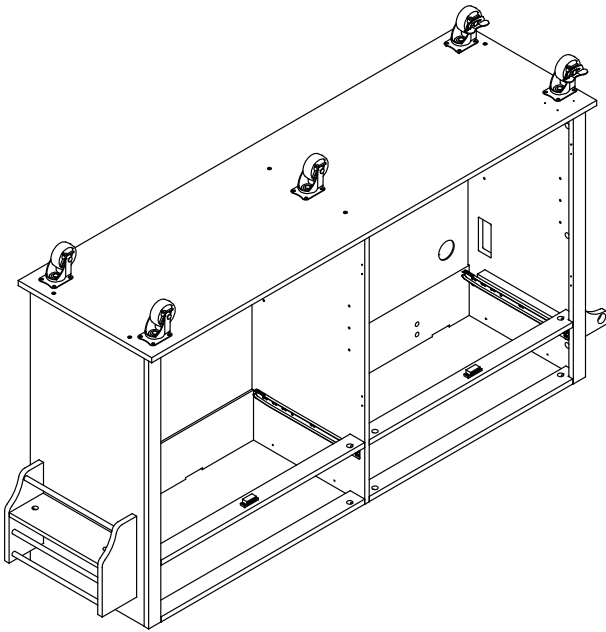
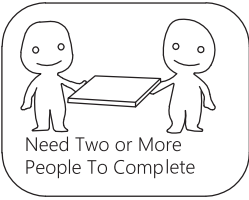
Locked state ON state



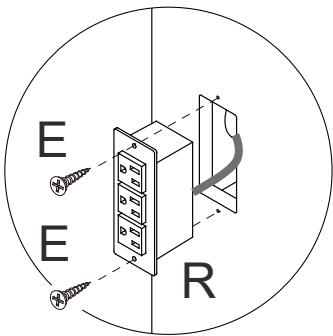
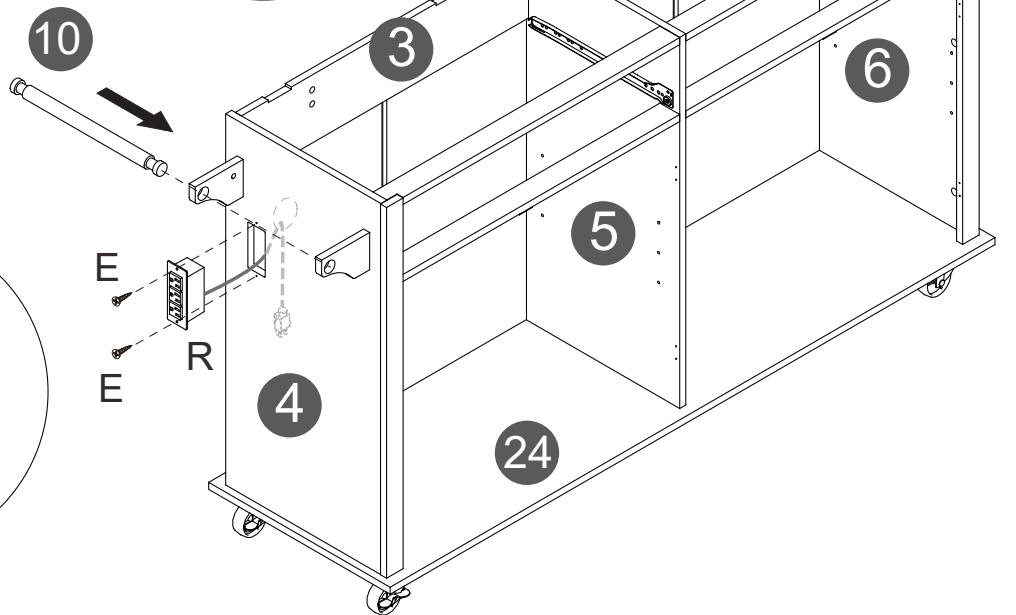
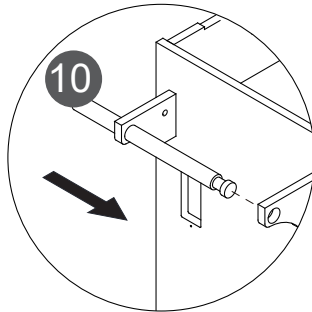
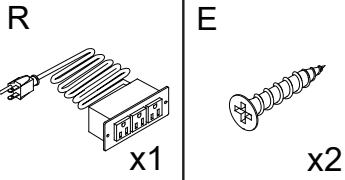
P wheels have brakes



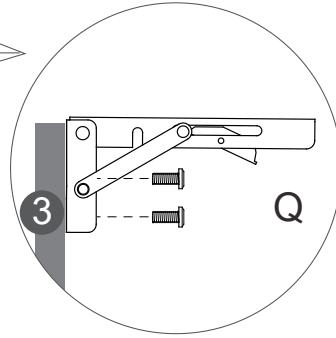
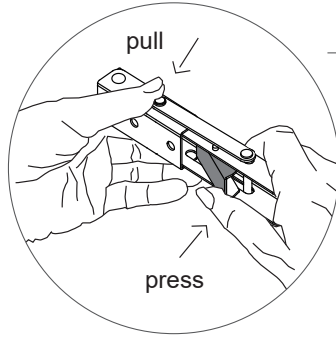
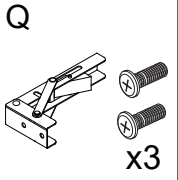
Need Two or More People To Complete



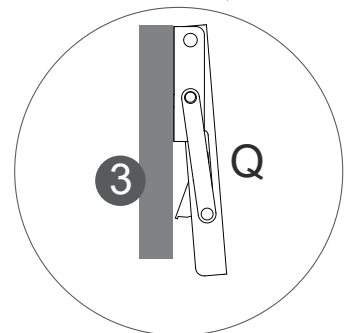
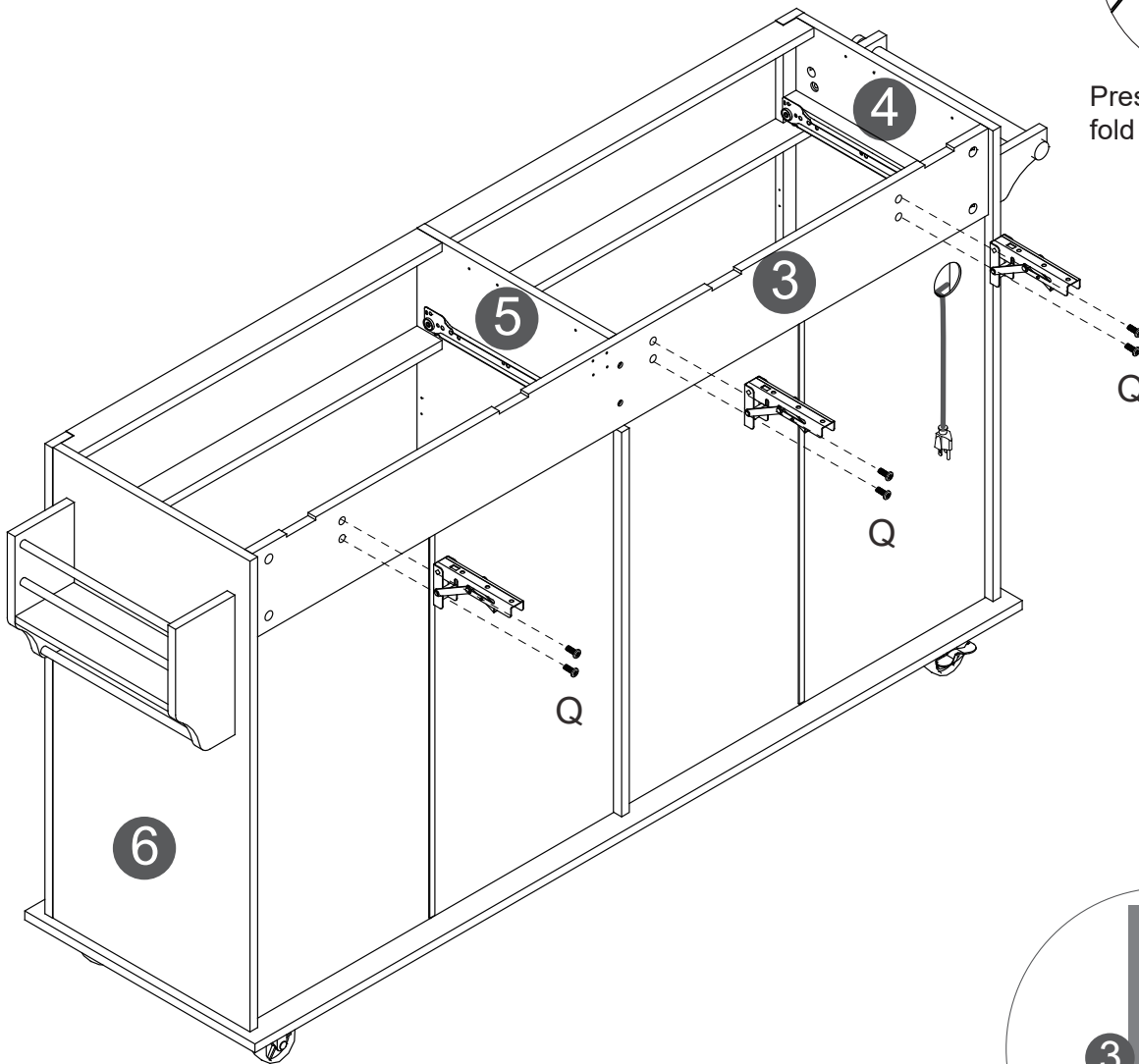
You will need



You will need

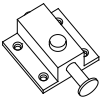


Press the handrail to fold the table down.



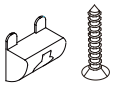
You will need

S



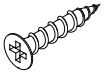
x1

T

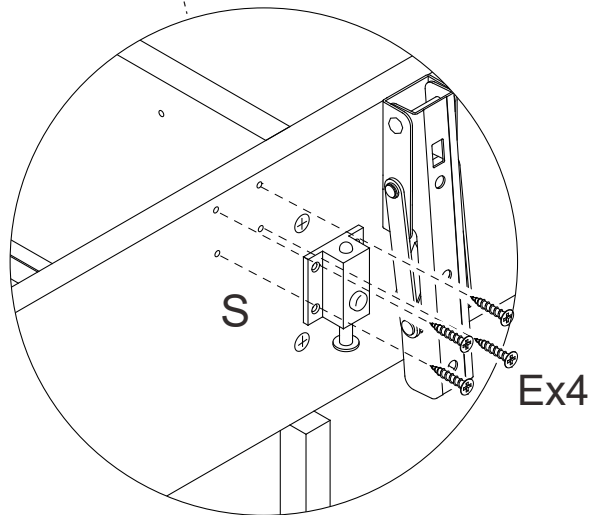
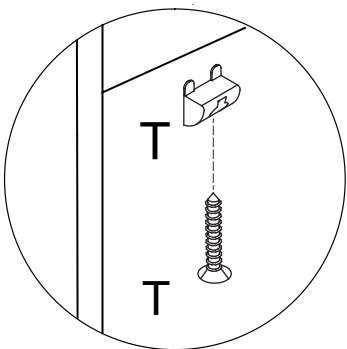
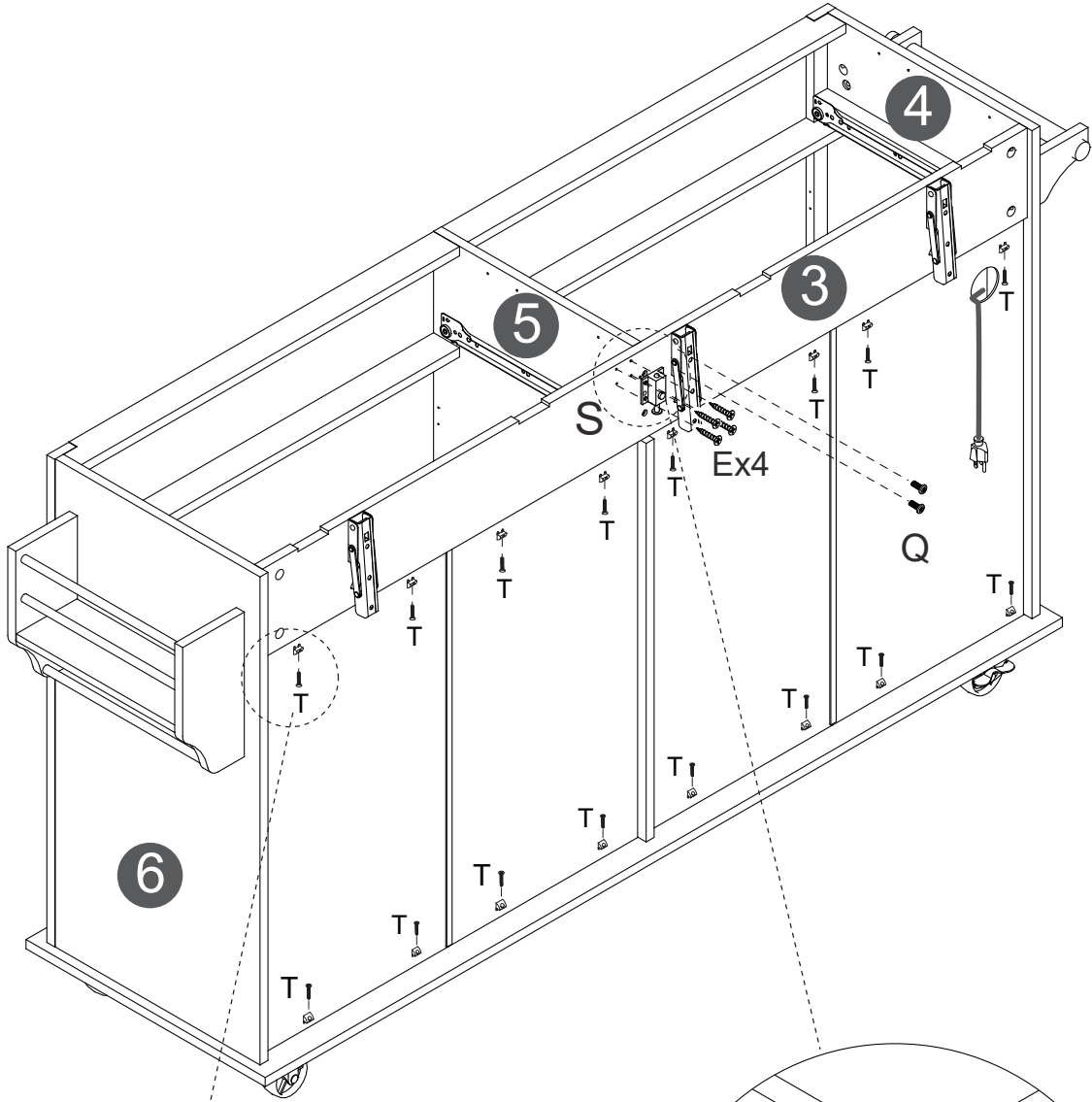


x16

E

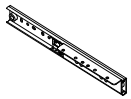


x4



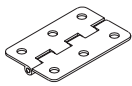
You will need

U



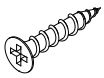
x3

K

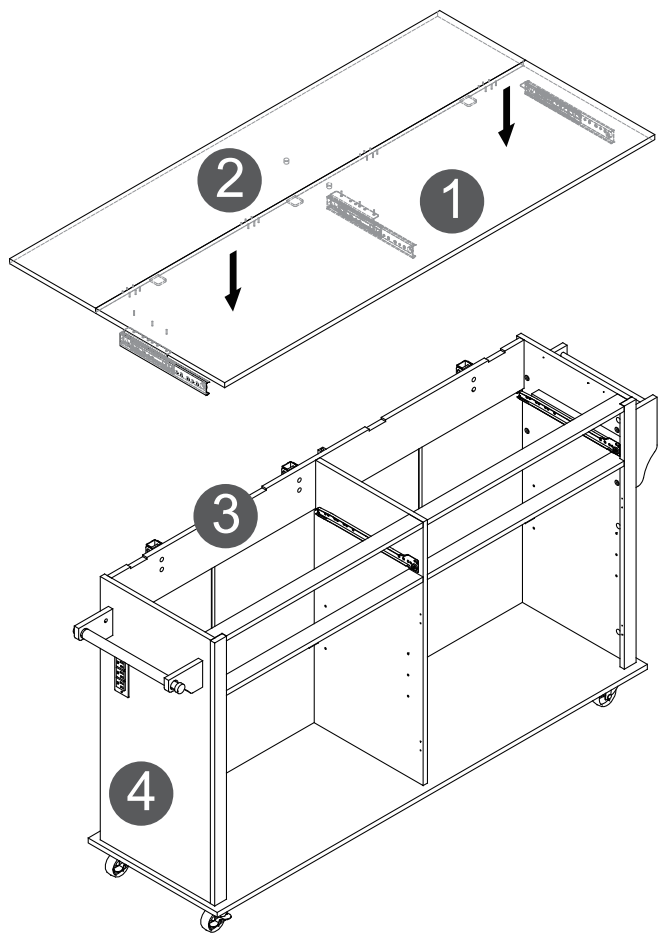
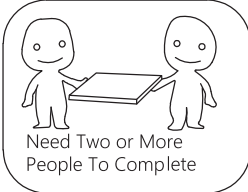
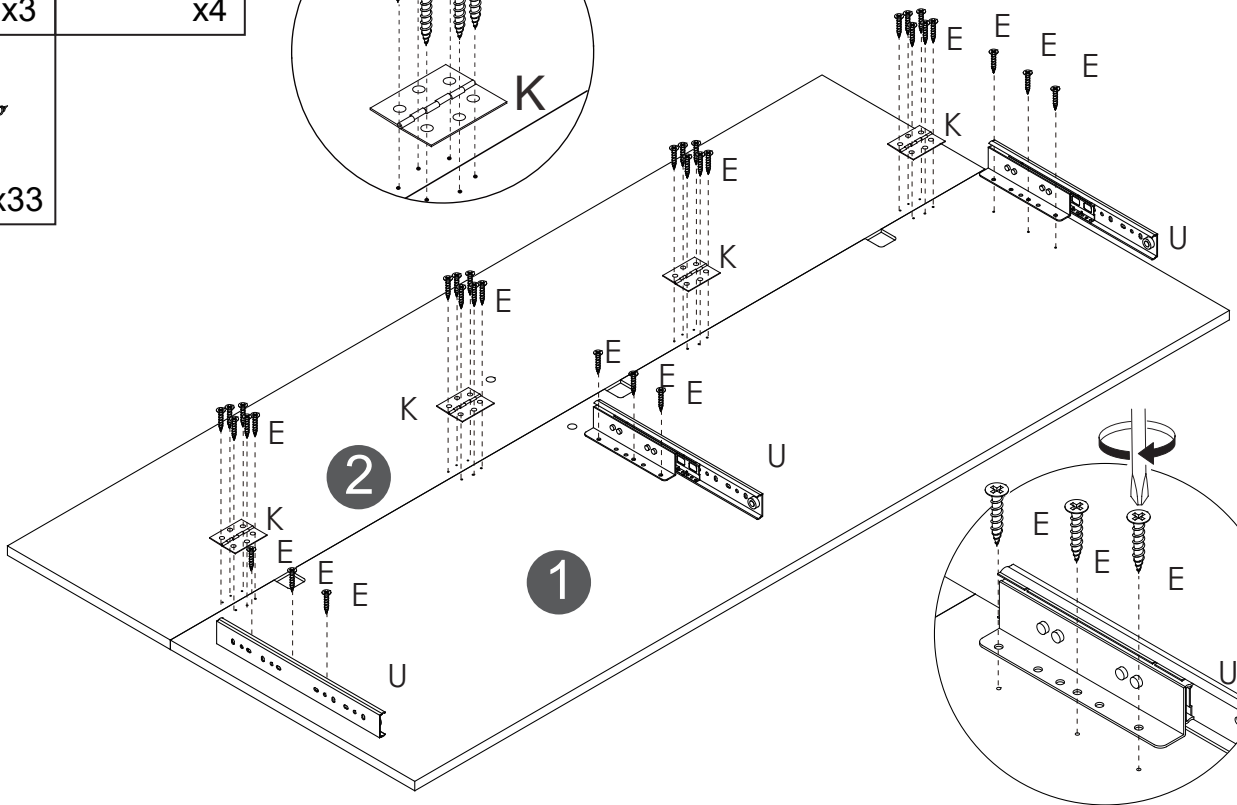
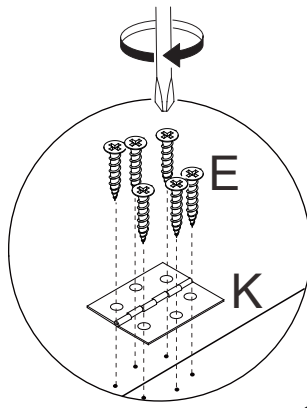


x4

E

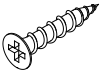


x33

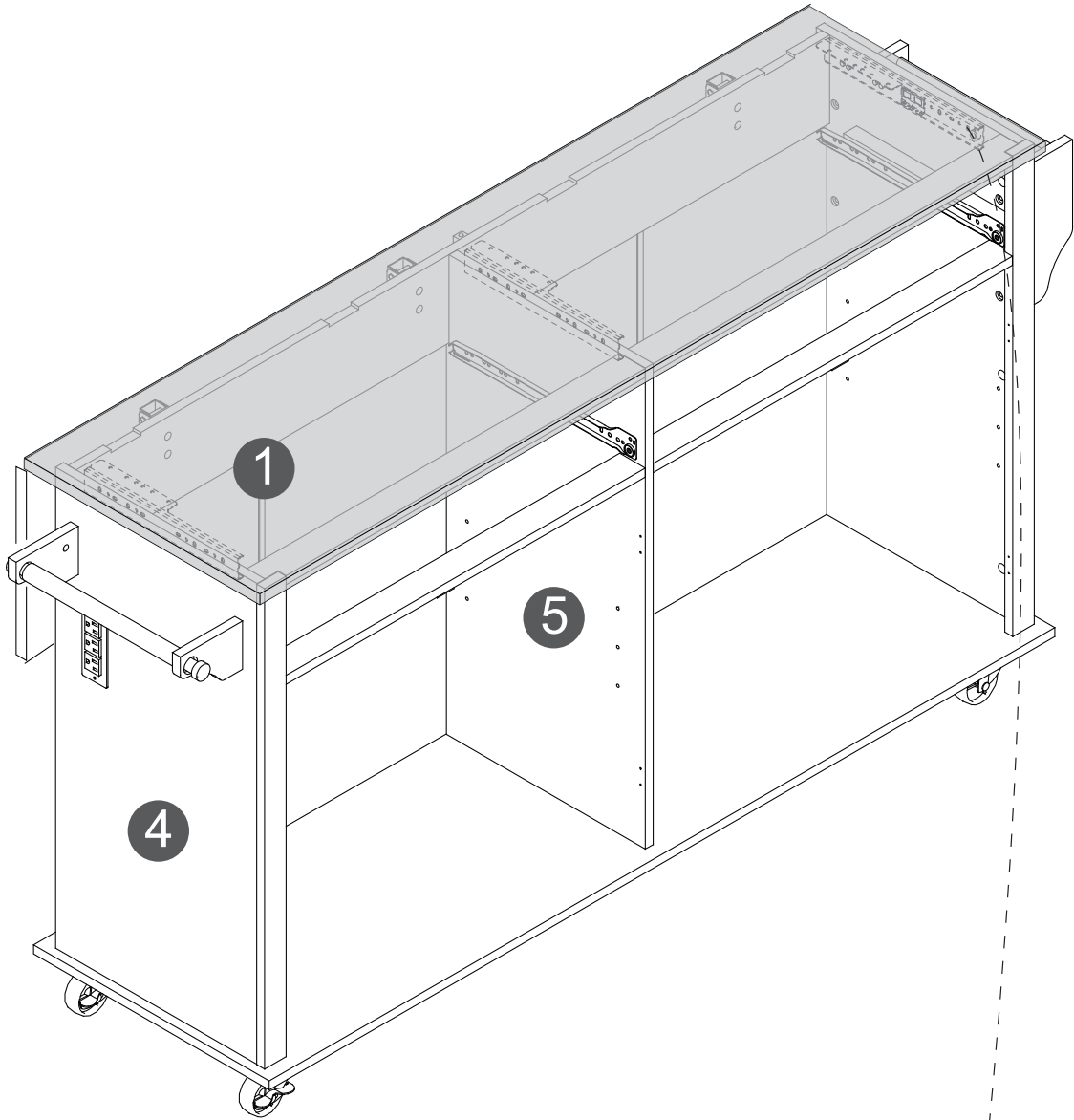


You will need

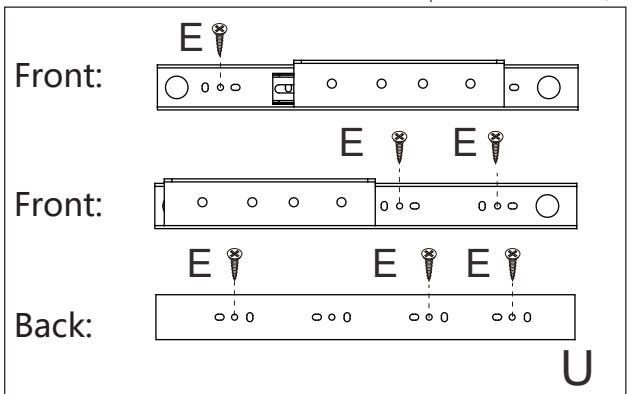
E



x9



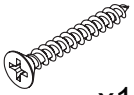
FRONT →



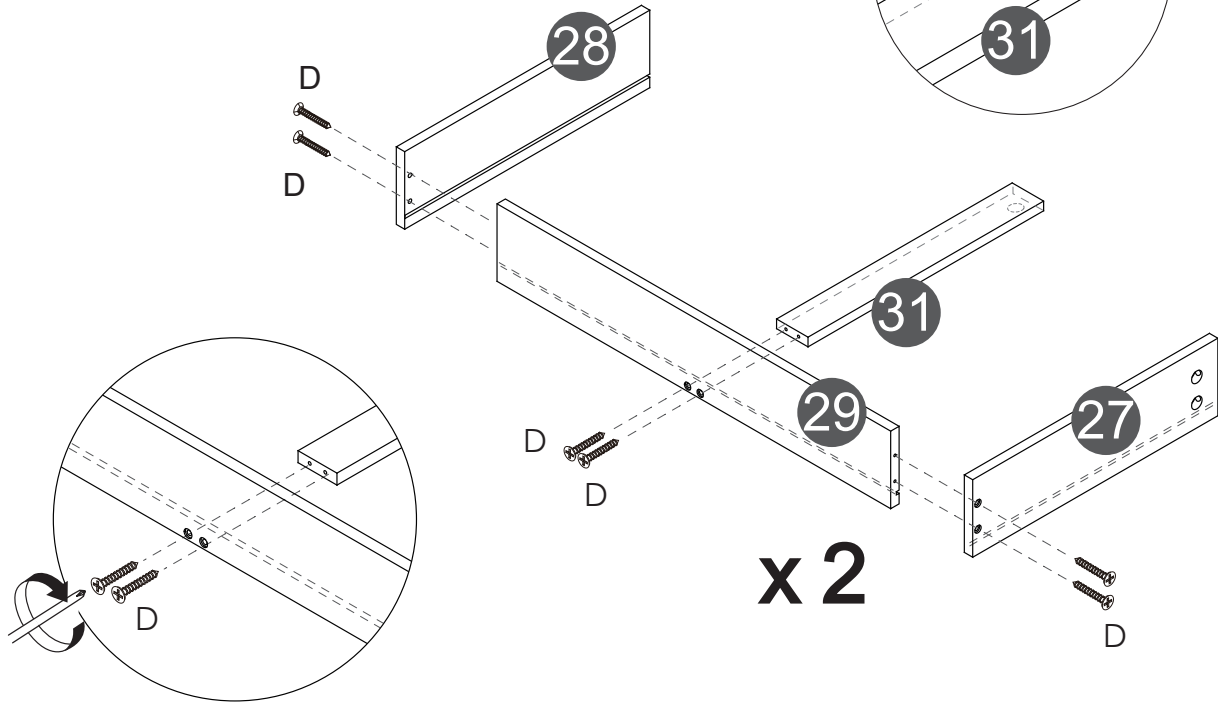
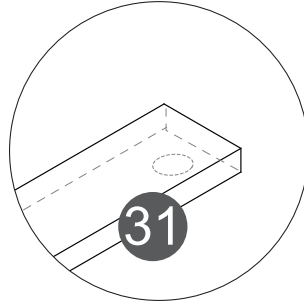
You will need

30

D

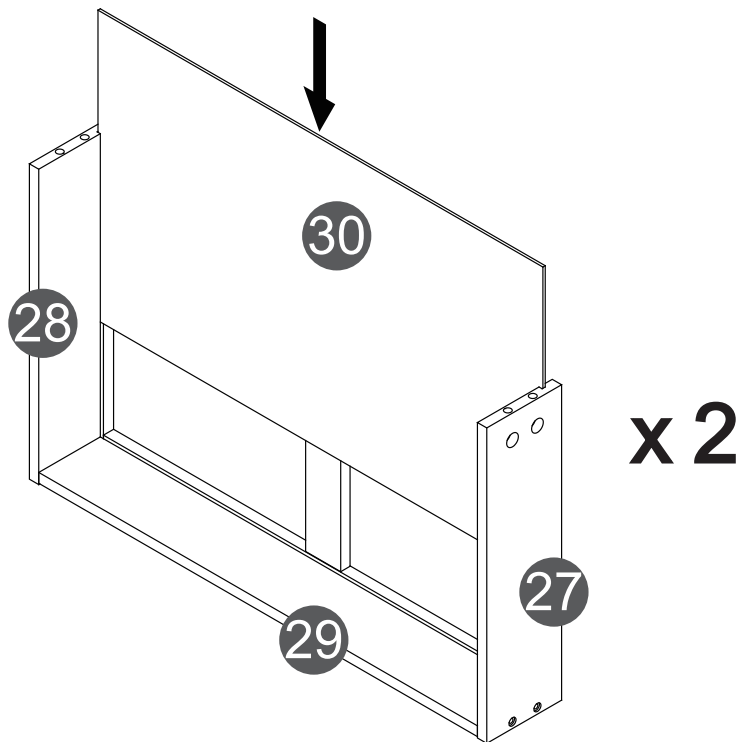


x12



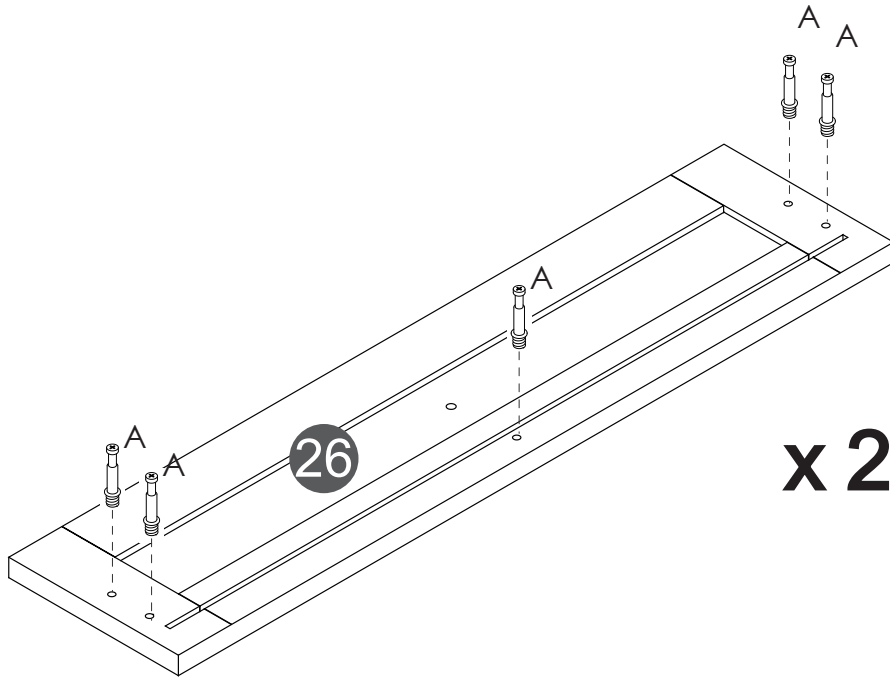
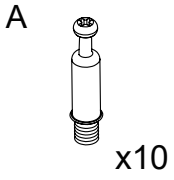
x 2

31

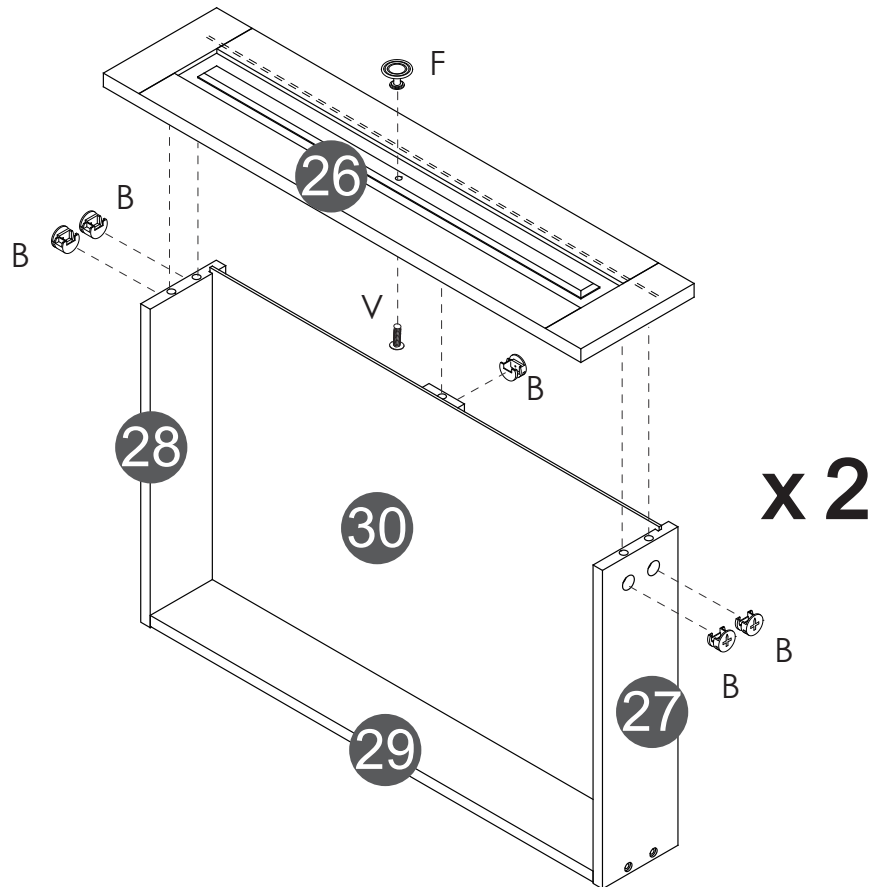
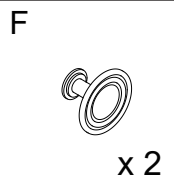
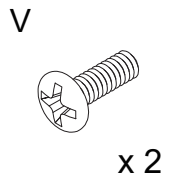
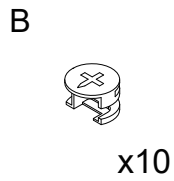


x 2

You will need

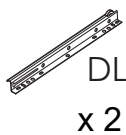


You will need

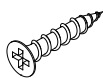


You will need

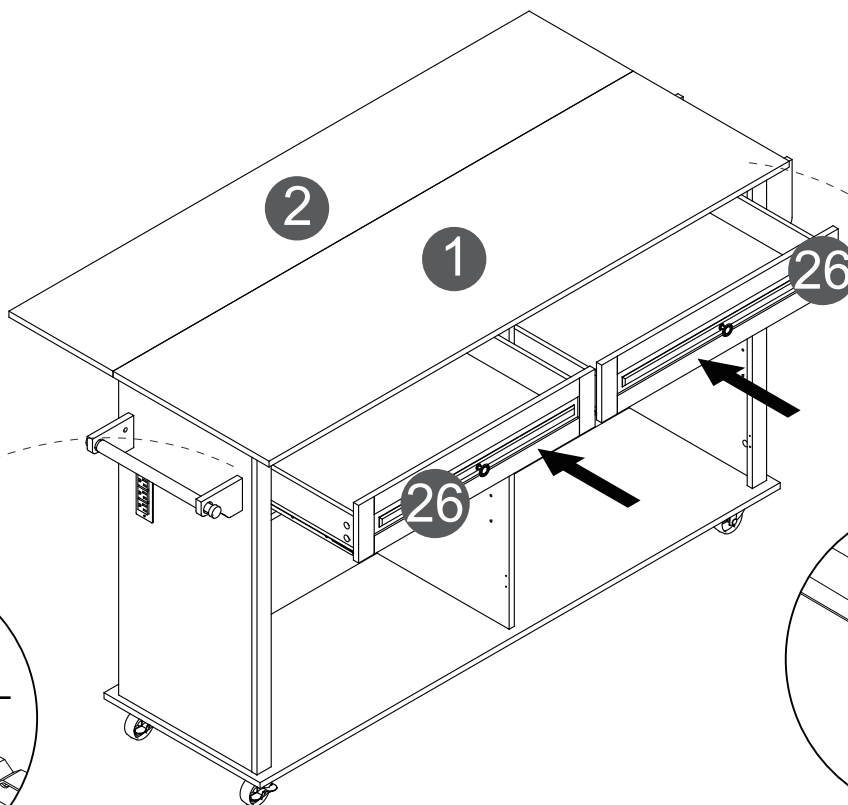
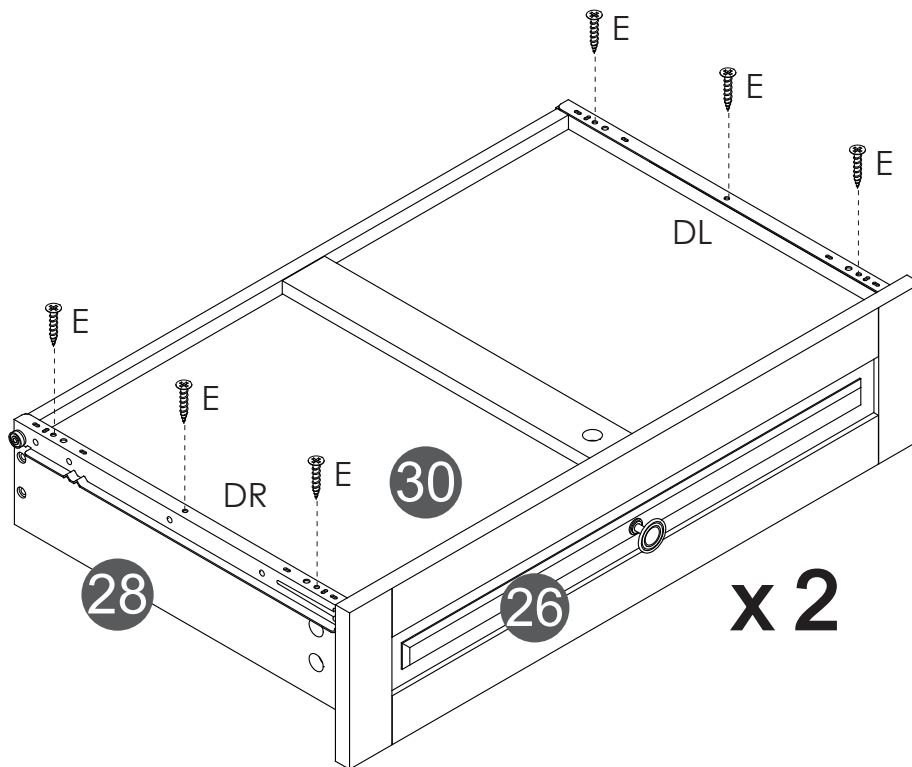
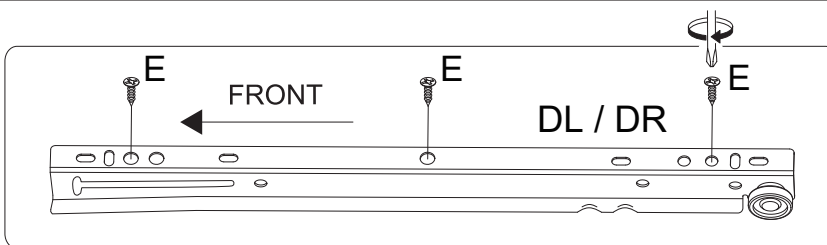
M



E



x12

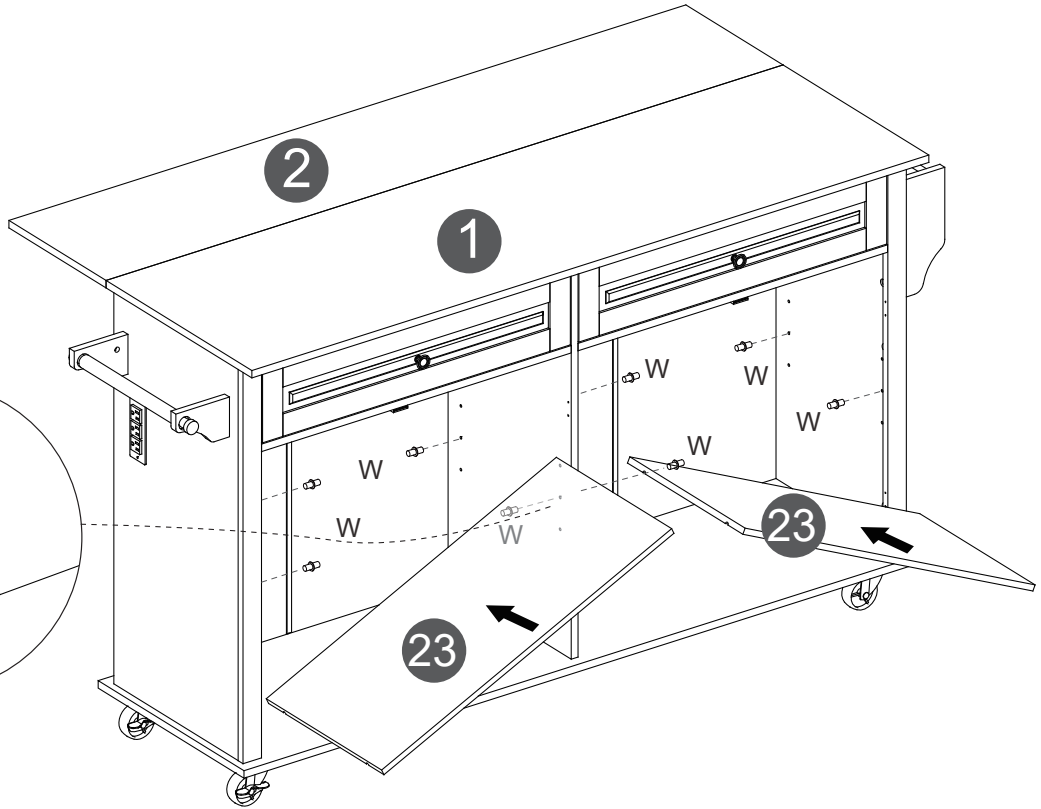


You will need

W

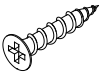


x8



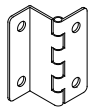
You will need

E



x16

X



x8

F

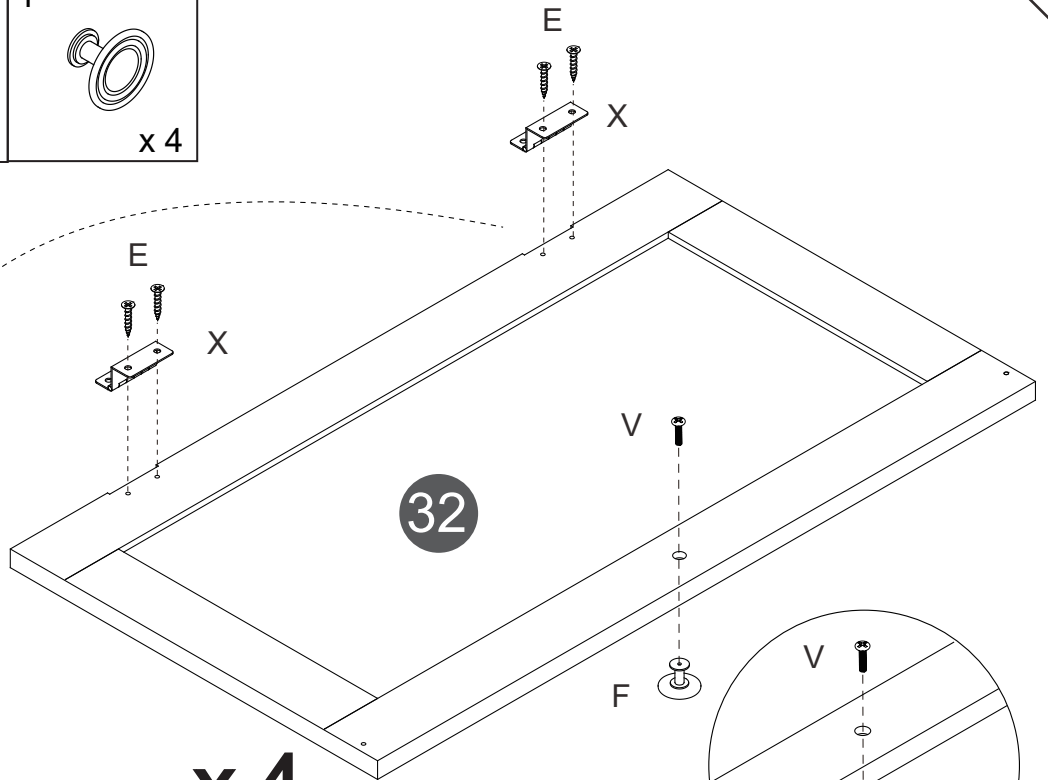


x4

V



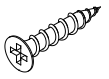
x4



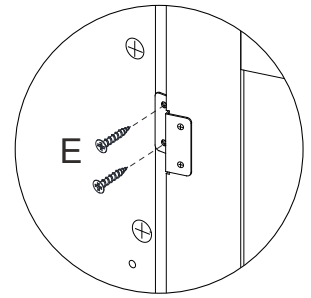
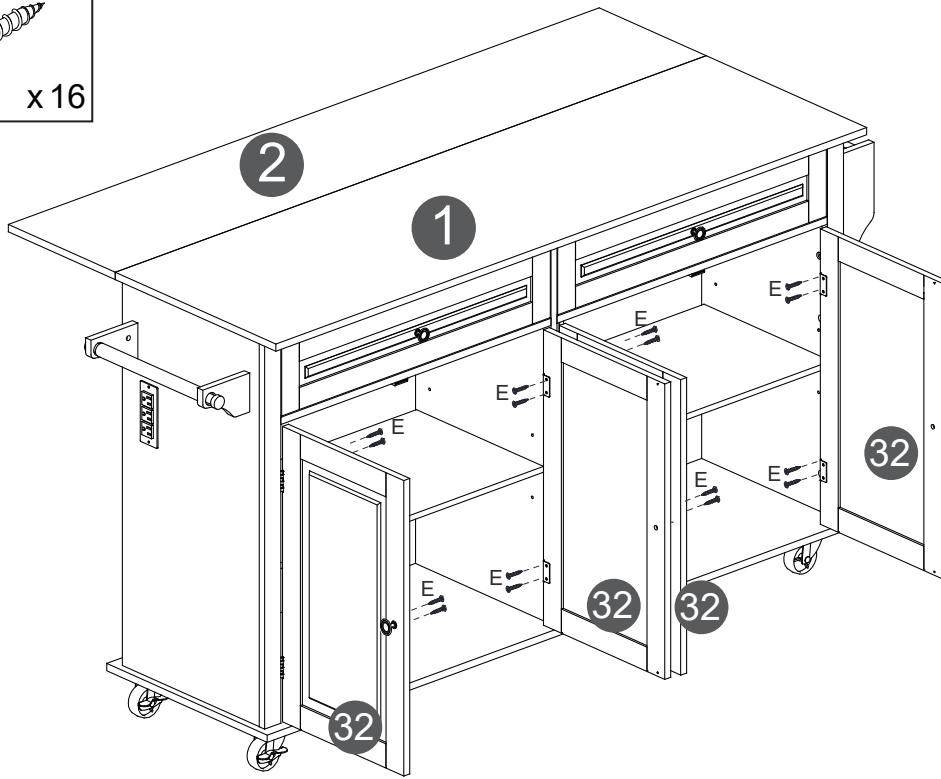
x4

You will need

E

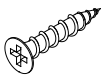


x16



You will need

E

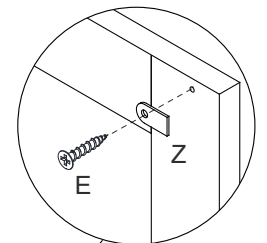
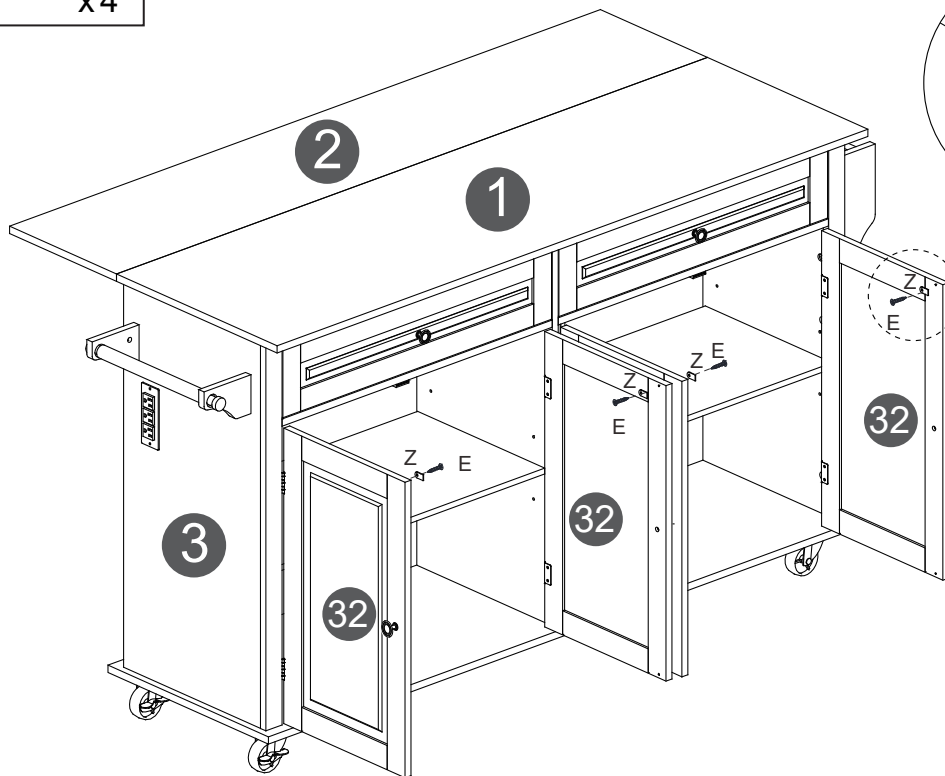


x4

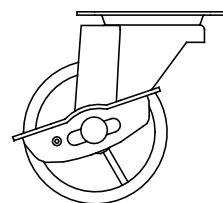
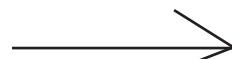
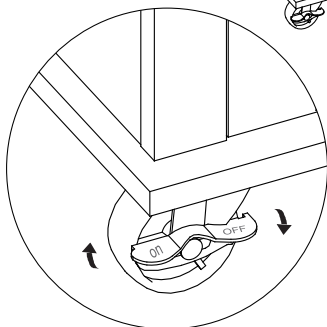
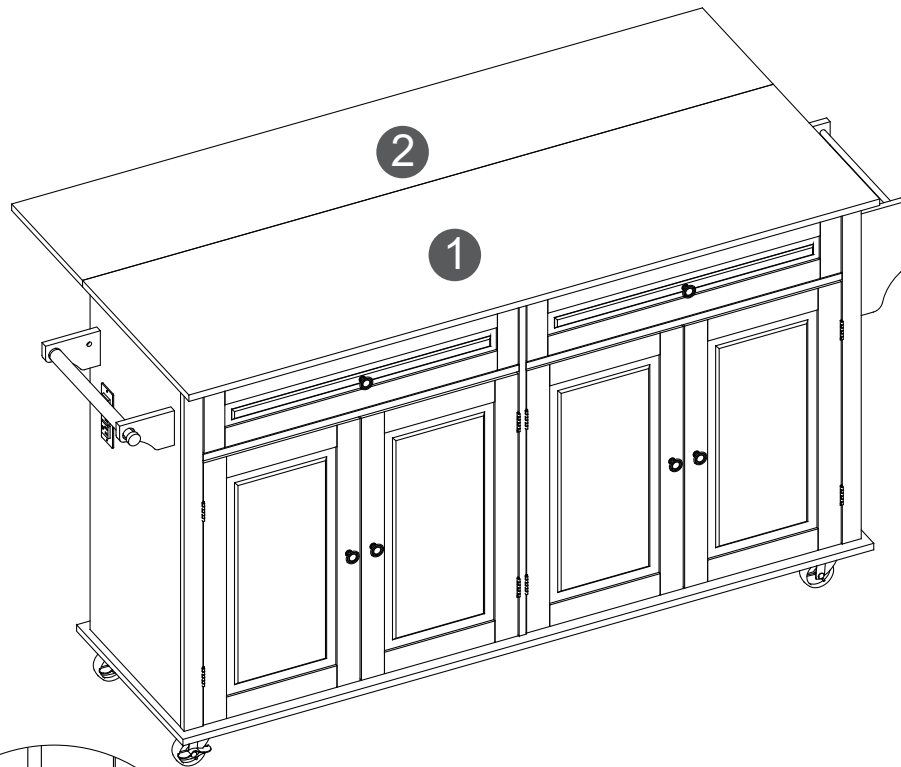
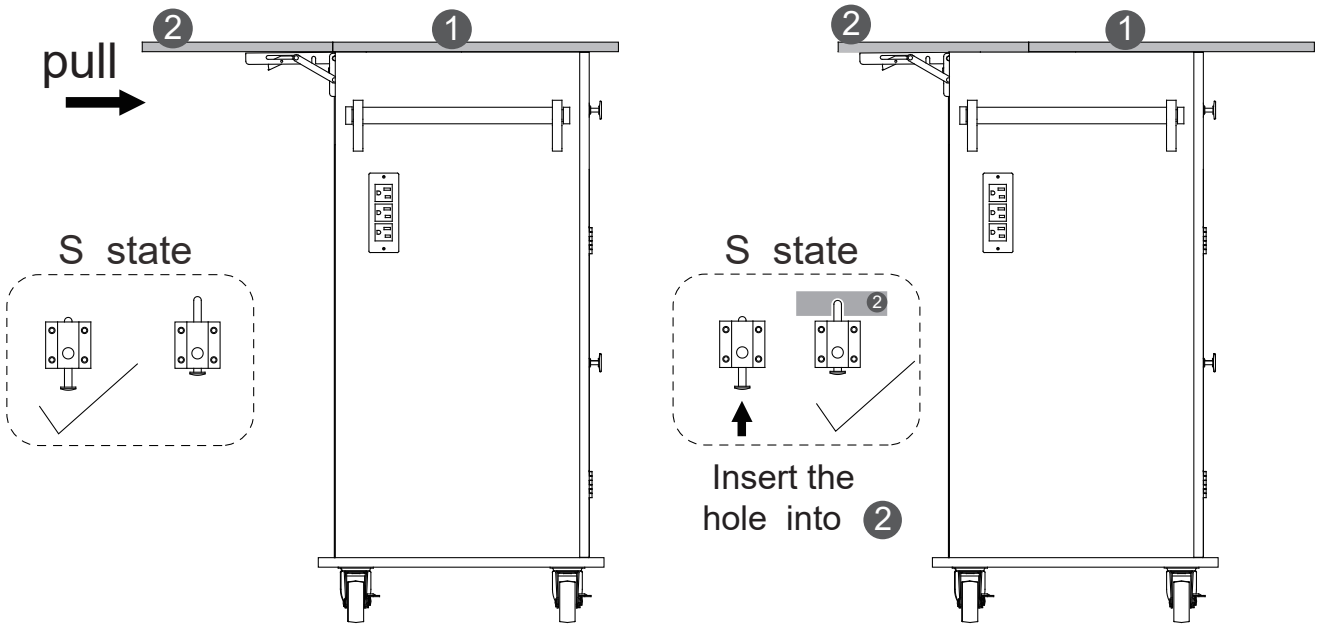
Y



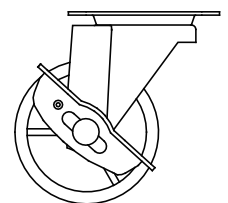
x4



If you need a larger desktop.



Locked state



ON state

If you don't need a large desktop.

pull

