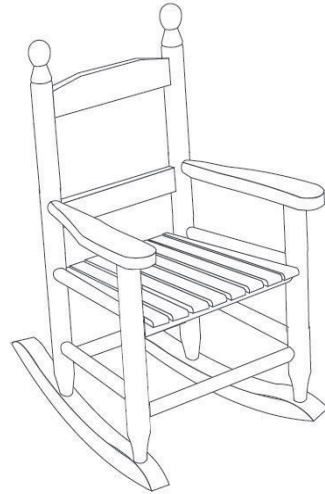




TOOL REQUIRED:


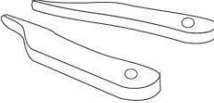
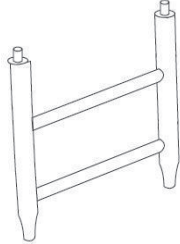

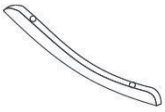

PHILIPS HEAD SCREWDRIVER, HAMMER (NOT PROVIDED)

DO NOT SIT ON OR LEAN AGAINST ARMRESTS
SCREWS MUST BE TIGHTENED WHEN ASSEMBLE

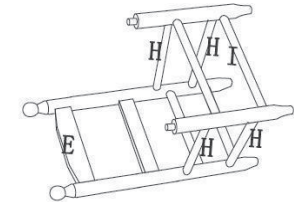
WARNING:
Assembly by an adult.



<p>A: WOOD SCREWS 8PCS</p>  <p>∅ 4X40MM</p>	<p>B: WOOD SCREWS 2 PCS</p>  <p>∅ 4X35MM</p>
--	---

<p>E: BACK FRAME 1PC</p> 	<p>F: ARM 2PCS</p> 	<p>I: FRONT FRAME 1PC</p> 
<p>G: SEAT FRAME 1PC</p> 	<p>J: CURVED WOOD ROCKER 2PCS</p> 	<p>H: WOOD BAR 4PCS</p> 

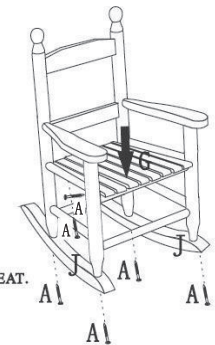
**WOOD ROCKING CHAIR
ASSEMBLY INSTRUCTION**



STEP #1

STEP 1.

LAY THE BACK FRAME (E) ON SOFT AND CLEAN SURFACE WITH HOLES FACING UPWARDS. INSERT WOOD BARS (H) 4PCS TO THE HOLES OF THE BACK FRAME. BE SURE THE WIDER OPENING SCREW HOLES ON THE WOOD BARS ARE FACING DOWNWARD. ATTACH THE FRONT FRAME (I) TO THE WOOD BARS THAT WERE JUST INSERTED ON THE BACK FRAME. BE SURE THE NARROW END OF FRAME ARE ON THE BOTTOM OF THE ROCKER



STEP #2

STEP 2.

ATTACH THE CURVED WOOD ROCKERS (J) 2PCS TO THE BOTTOM OF BACK FRAME (E) AND FRONT FRAME (I) WITH SCREW (A) 4 PCS FROM BOTTOM OF CURVED WOOD ROCKER. BE SURE BACK & FRONT FRAME INTO THE HOLES OF WOOD ROCKER WHEN YOU ASSEMBLE THE FRAME WITH ROCKER. PLACE PUT SEAT (G) ON WOOD BARS (H) AND SECURE BY USING WOOD SCREWS (A) 2PCS THROUGH THE SCREW HOLES ON WOOD BARS OF BACK&FRONT FRAME TO SEAT.

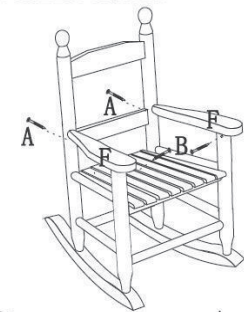
STEP 3.

PLACE WOOD ARM (F) 2PCS ON THE TOP OF THE FRONT FRAME (I) AND INSERT THE OTHER END OF WOOD ARM TO THE HOLES ON THE BACK FRAME (E) SECURE WOOD ARMS TO BACK FRAME BY USING WOOD SCREWS (A) 2PCS. AND USING WOOD SCREWS (B) 2PCS TO SECURE WOOD ARMS TO FRONT FRAME. SEE ILLUSTRATION TO ENSURE RIGHT&LEFT ARM ARE ON THE CORRECT POSITION

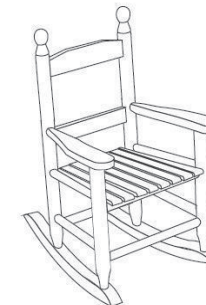
TIGHTEN ALL WOOD SCREWS PROPERLY BEFORE USE.

TO ADD STABILITY OF ASSEMBLING. APPLY SMALL AMOUNT OF HIGH QUALITY GLUE TO WOOD HOLES DURING ASSEMBLING.

YOUR BEAUTIFUL WOOD ROCKER IS FINISHED AND READY TO USE, PLS ENJOY IT



STEP #3



142.5x210mm