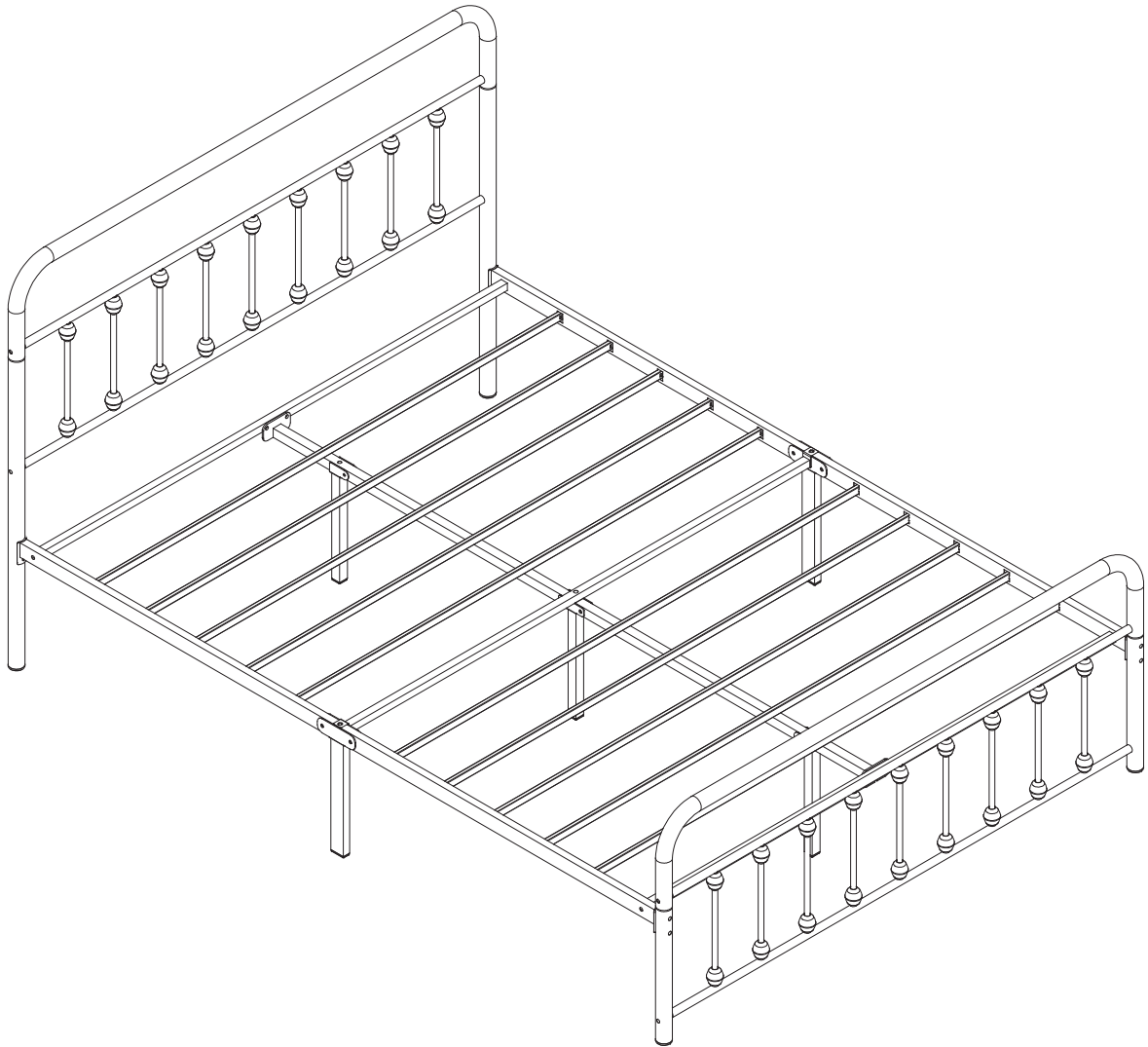


YH610-F/Q/K/CK Assembly Instructions



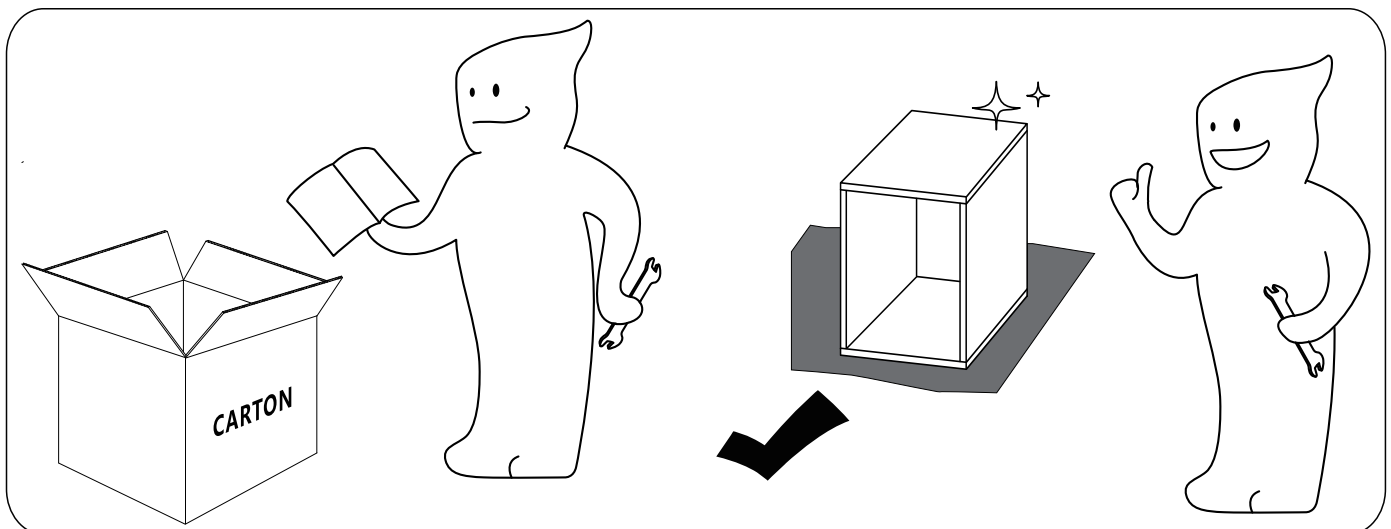
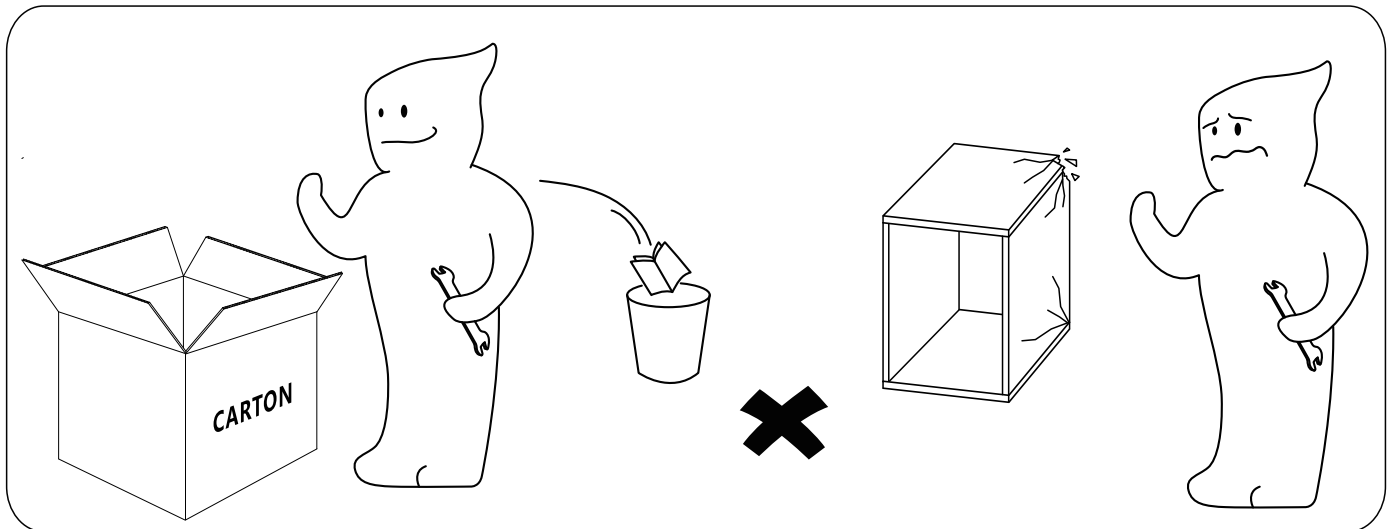
Dear Customers,

Thank you for purchasing our product. Please read this instruction manual carefully after receiving this product. It will help you assemble this product quickly, safely and correctly. You can keep this manual for future reference.

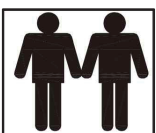
MADE IN CHINA

! IMPORTANT

Please follow the instruction manuals and use a pad to protect the product during your assembly.

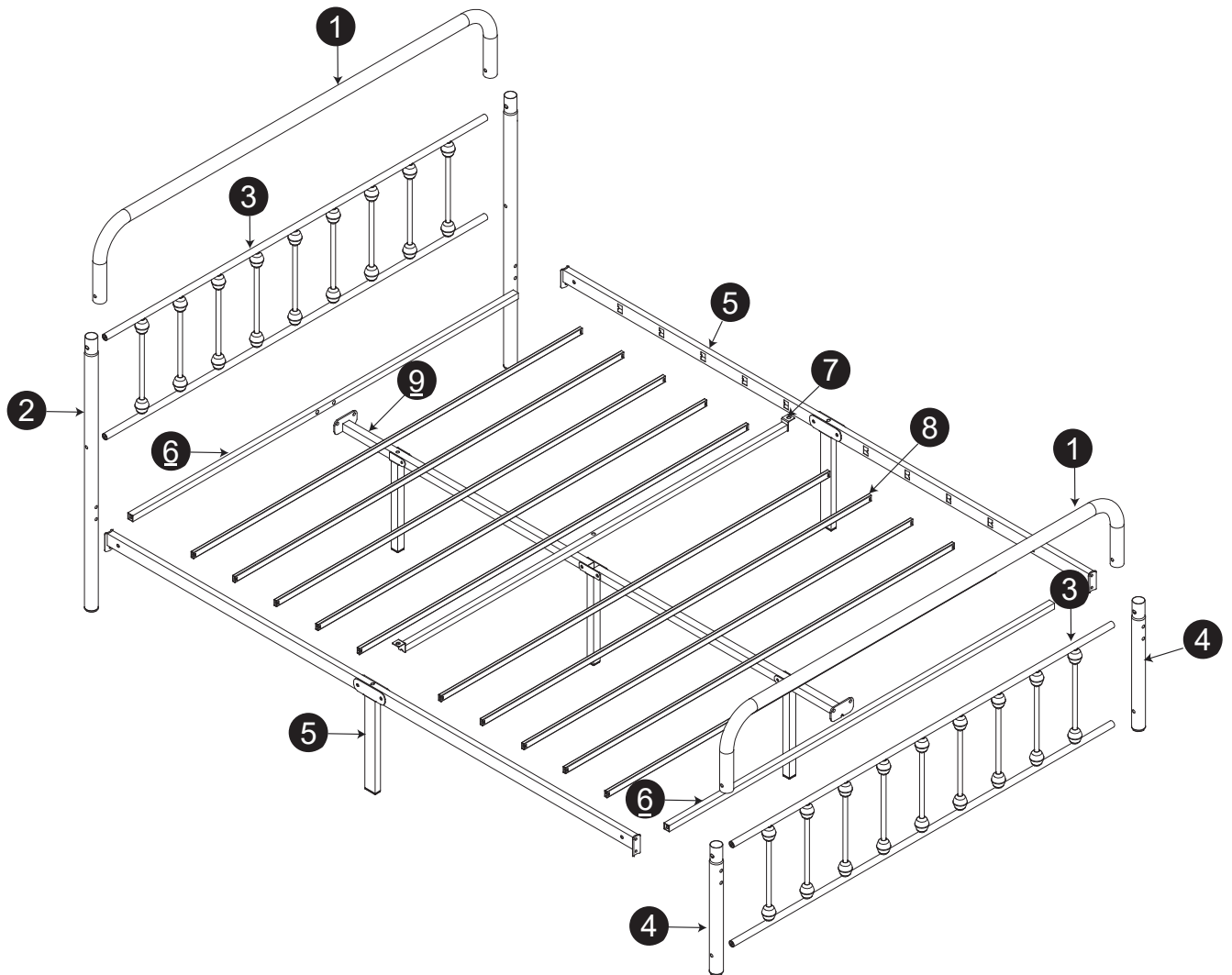


1. Should be assembled on flat ground to keep balance.
2. Before completing the installation, do not tighten the screws.
3. If you have any query about bed, please contact our after-sale support email: pakkahome@outlook.com



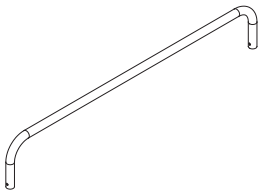
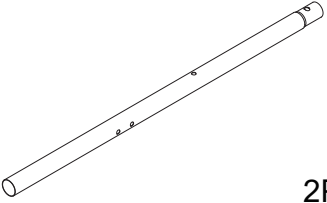
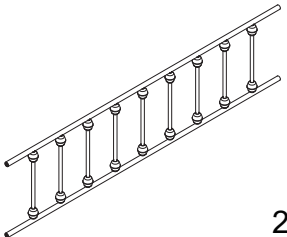
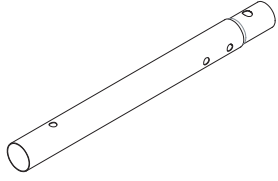
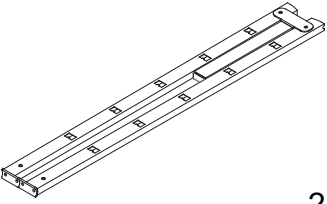
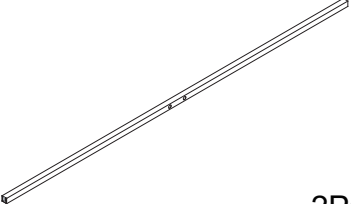
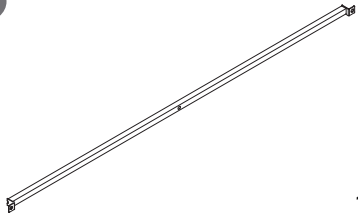
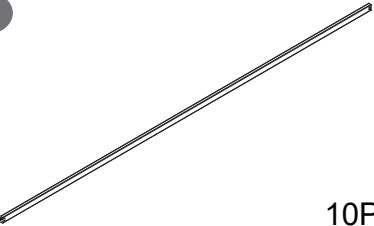
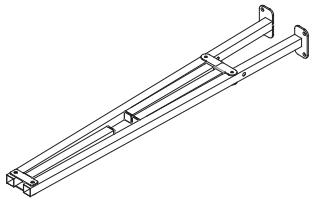

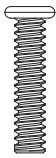
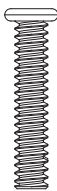
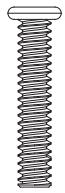

For easier and better assembly, **2** or more adults are required.

ASSEMBLY INSTRUCTIONS



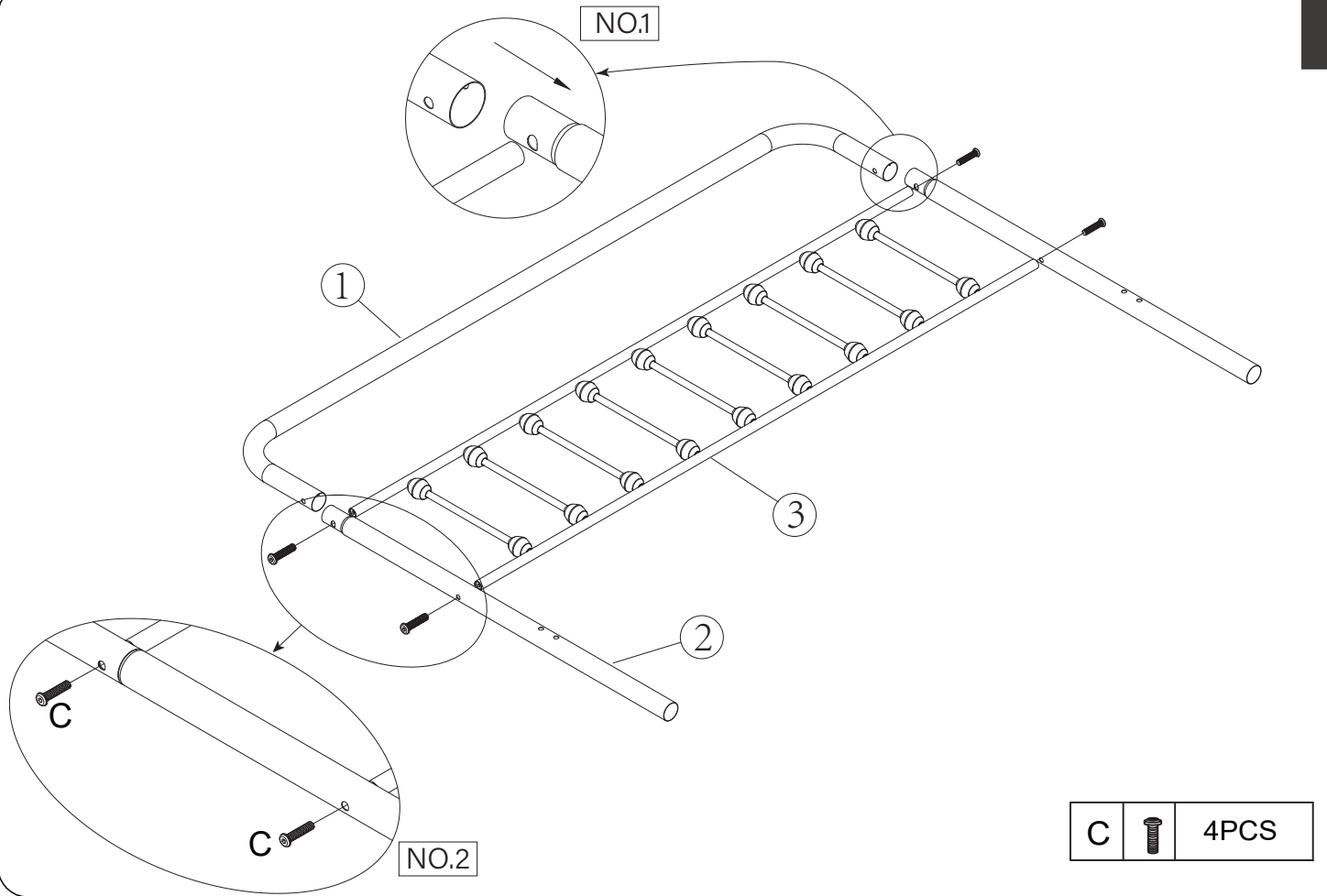
ASSEMBLY INSTRUCTIONS

PARTS LIST

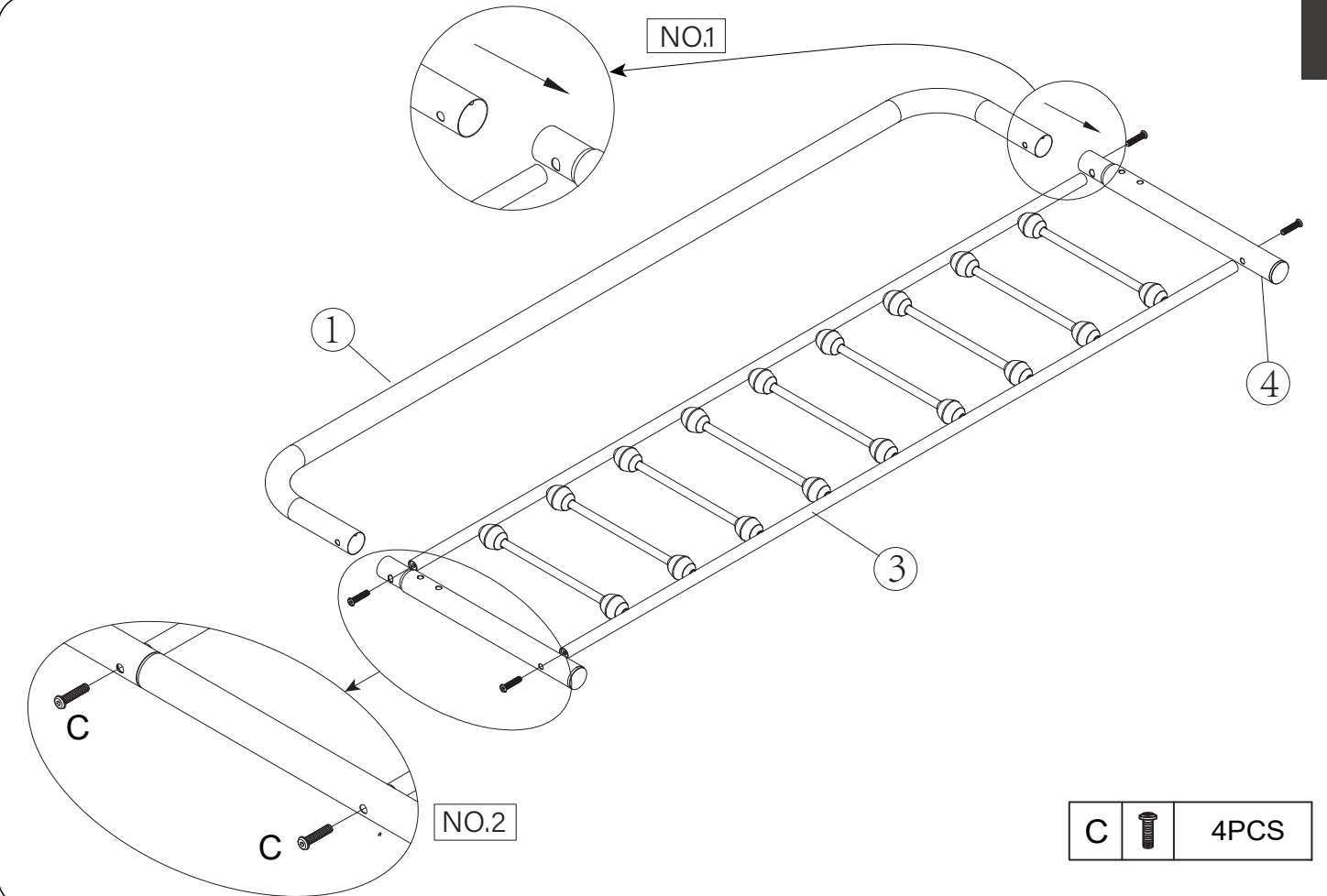
1  2PCS	2  2PCS	3  2PCS
4  2PCS	5  2PCS	6  2PCS
7  1PC	8  10PCS	9  1PC
A  M8*16 4PCS	B  M8*35 6PCS	C  M8*45 8PCS
D  M8*55 11PCS	E  1PCS	

ASSEMBLY INSTRUCTIONS

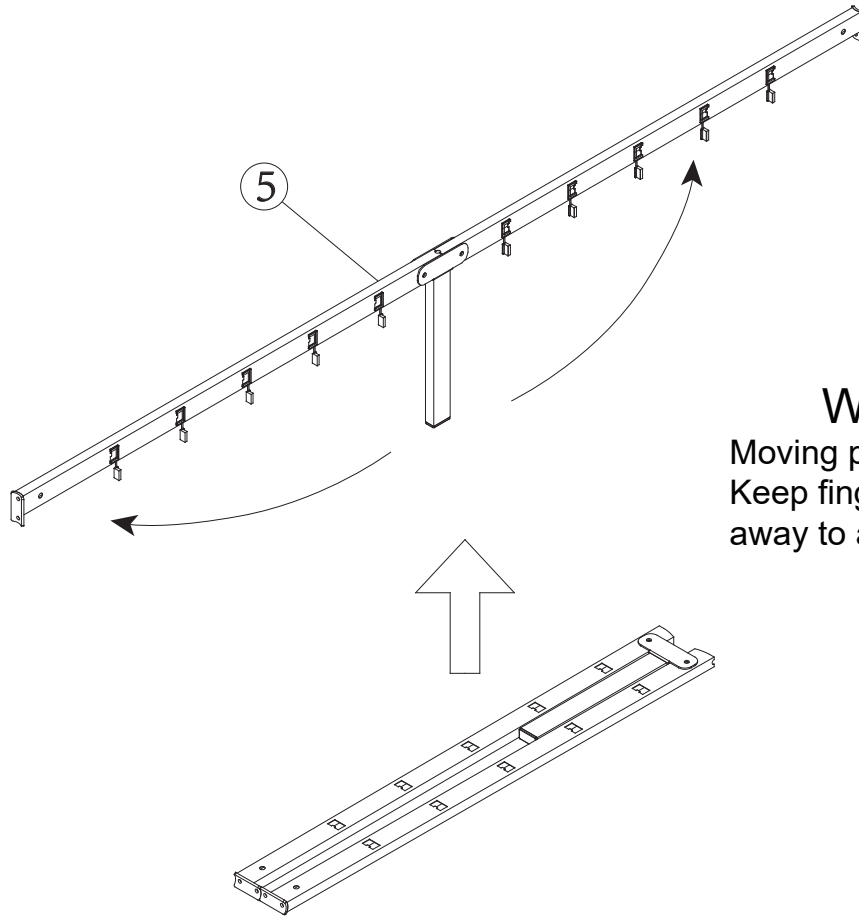
1



2



2X 3




WARNING!
Moving parts can crush or cut.
Keep fingers, hands, and feet
away to avoid injury.

4

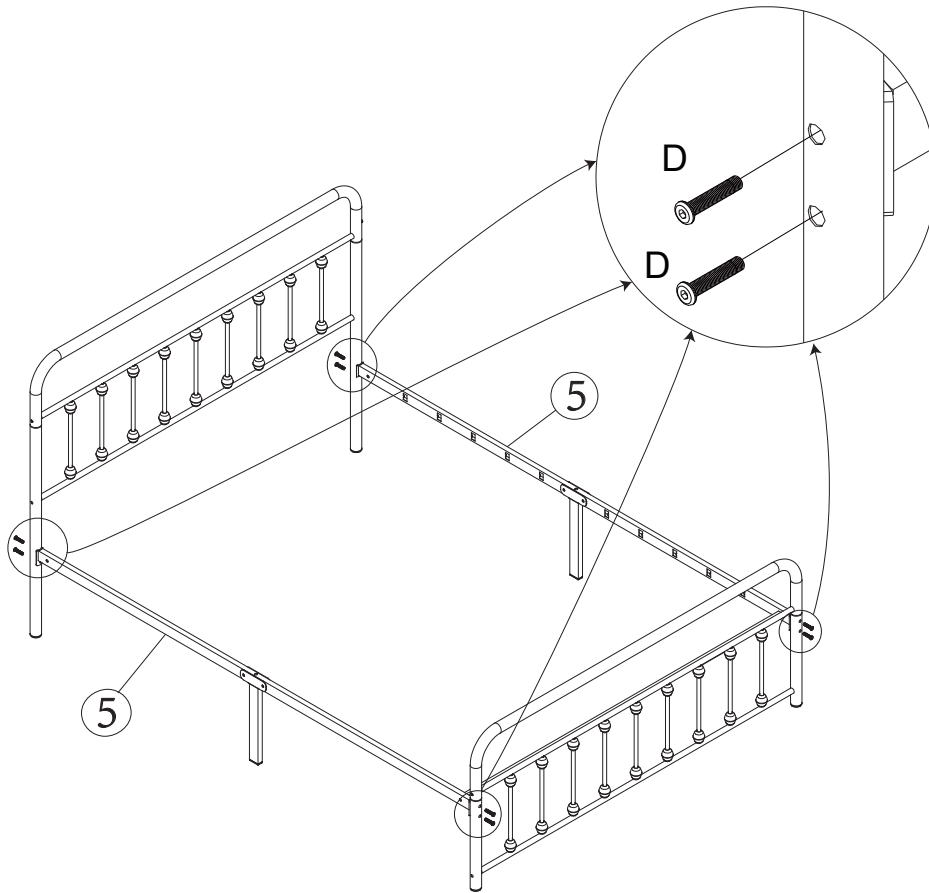



WARNING!
Moving parts can crush or cut.
Keep fingers, hands, and feet
away to avoid injury.

B		2PCS
---	---	------

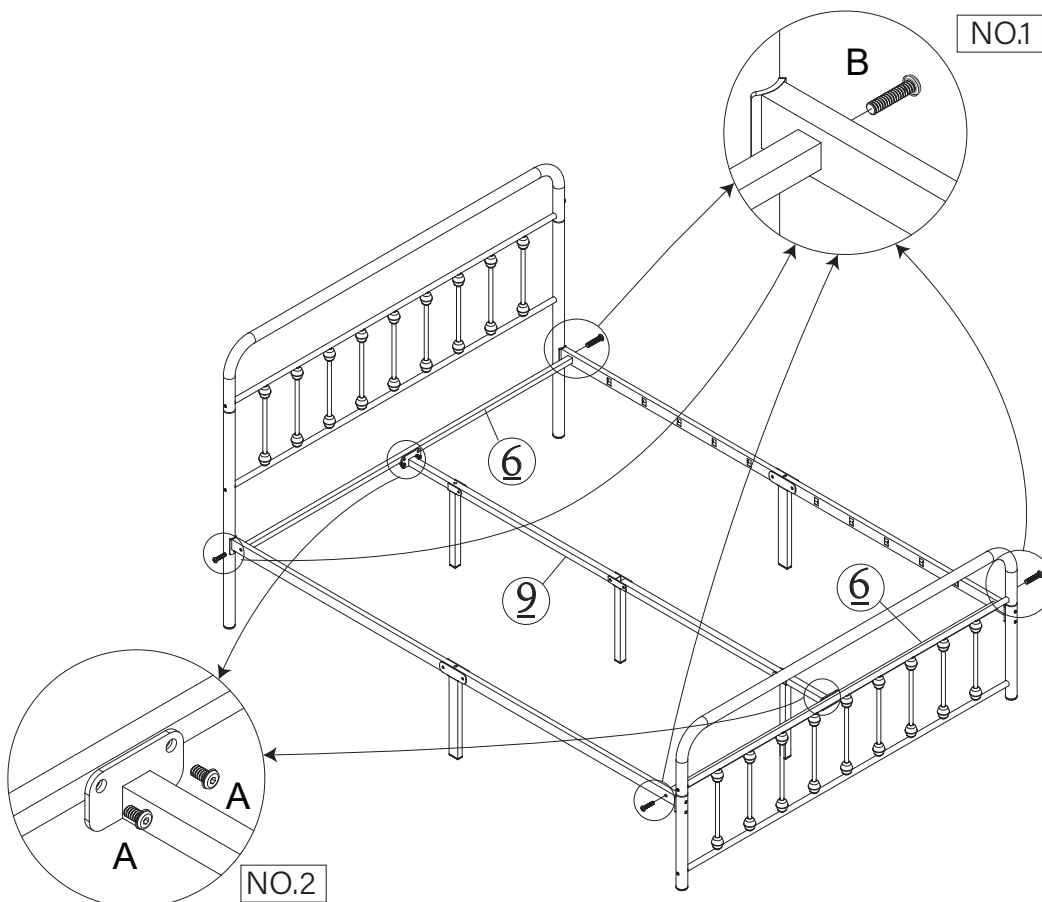
ASSEMBLY INSTRUCTIONS



5

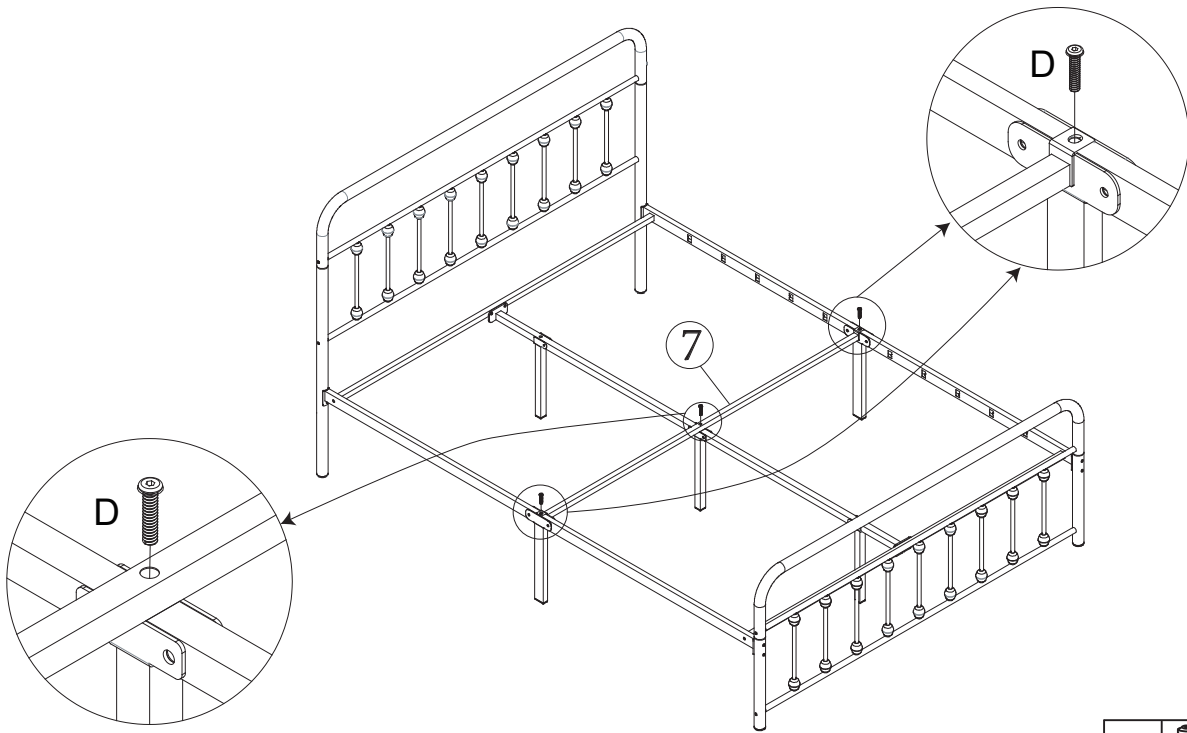



D		8PCS
---	---	------

6



A		4PCS
B		4PCS



D		3PCS
---	---	------

