

NOTICE

*Please make sure that you have all parts indicated and they are in good condition before you begin assembly of this item. Refer to part list and hardware list below for guidance.

*This item should be assembled on a soft surface to prevent scratching the finish during assembly.

*This item may require periodic tightening.

*If you are having difficulty, our friendly Customer Care team is always here to help.

PREPARATION

* Before beginning assembly of product, make sure all parts are present. Compare parts with part contents list and hardware contents list.

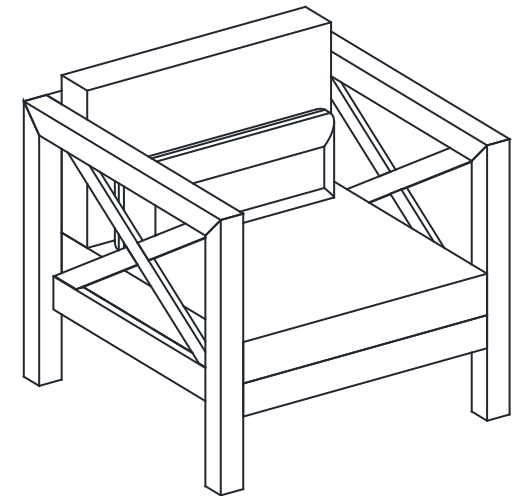
* If any part is missing or damaged, do not attempt to assemble the product.

* Estimated Assembly Time: 10 minutes.

* Tools Required for Assembly (included): Allen Key

Installation & Assembly

Product Dimensions: 30.3" W x 30.3" D x 30.7" H



Weight Capacity : 200 lbs
Warning : Do not stand on bench
Warning : Do not over torque bolts / screws

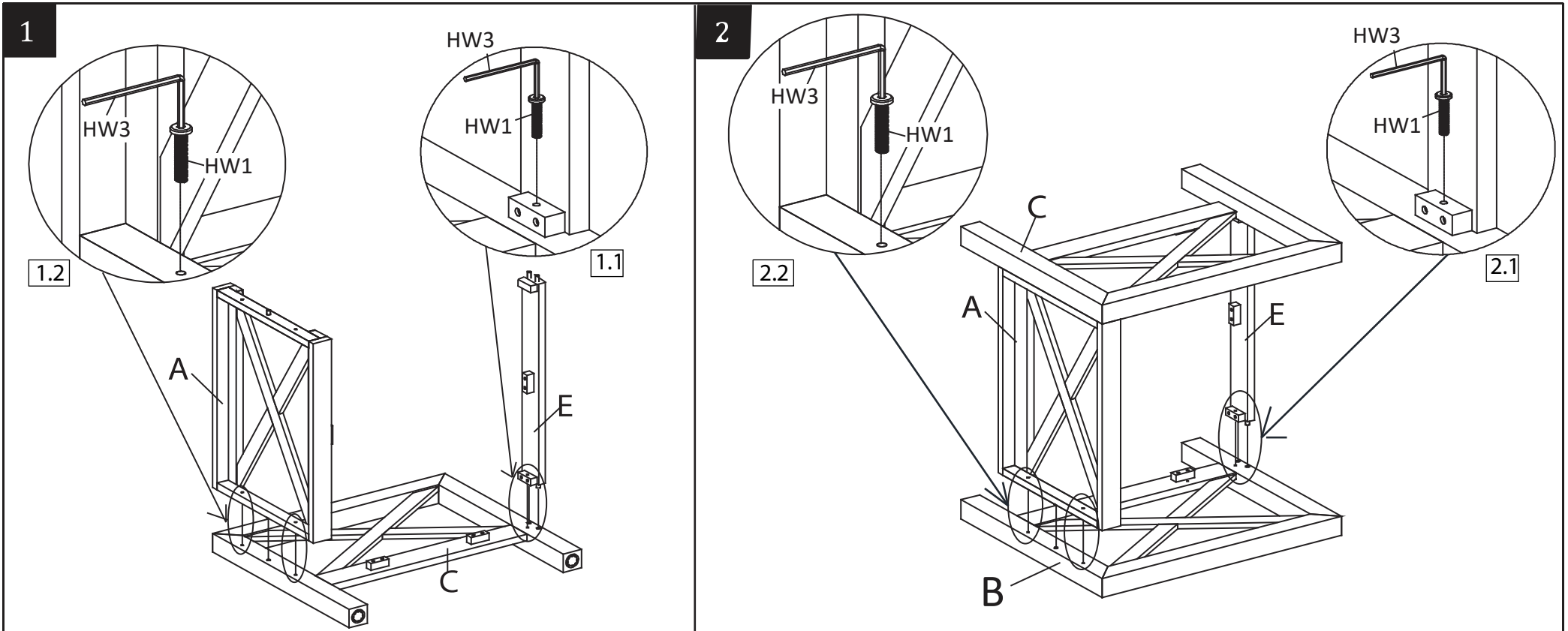
Part List and Hardware List

PIECE	DESCRIPTION	PICTURE	QUANTITY
A	Back Frame		1X
B	Right Arm Panel		1X
C	Left Arm Panel		1X
D	Seat frame		1X
E	Support Bar		1X
CSH1	Seat Cushion		1X
CSH2	Back Cushion		1X
PL	Pillow		1X

HW1	Allen Bolt: M6x0.5x45 mm		6X
HW2	Screw: M6 x0.5 x40 mm		4X
HW3	Allen key 4		1X

PREPARATION

- * Before beginning assembly of product, make sure all parts are present. Compare parts with package contents list and hardware contents list.
- * If any part is missing or damaged, do not attempt to assemble the product.
- * Estimated Assembly Time : 10 minutes.
- * Tools Required for Assembly (included): Allen Key
- * If you are having difficulty, our friendly Customer care team is always here to help.



Step 1

- 1.1 Attach Support Bar (E) To Left Arm Panel (C) using Bolt (HW1) With Allen Kay (HW3).
- 1.2 Attach Back Frame (A) To Left Arm Panel (C) using Bolt (HW1) With Allen Kay (HW3).

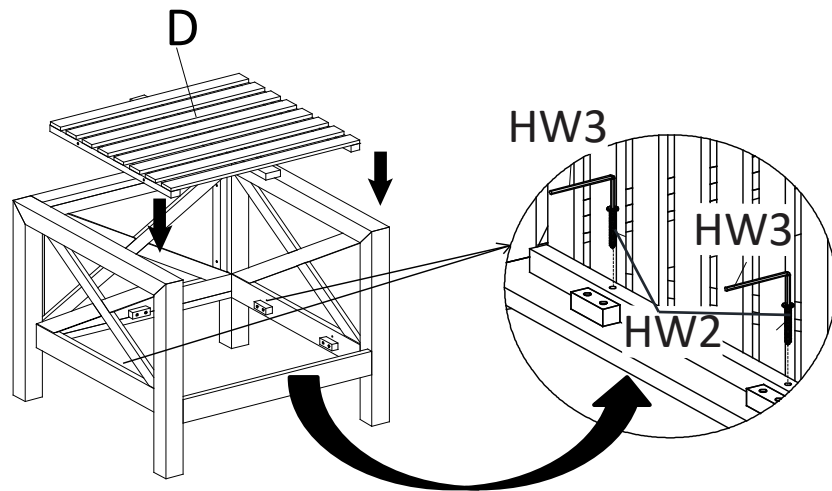
Step 2

- 2.1 Attach Support Bar (E) To Right Arm Panel (B) using Bolt (HW1) With Allen Kay (HW3).
- 2.2 Attach Back Frame (A) To Right Arm Panel (B) using Bolt (HW1) With Allen Kay (HW3).

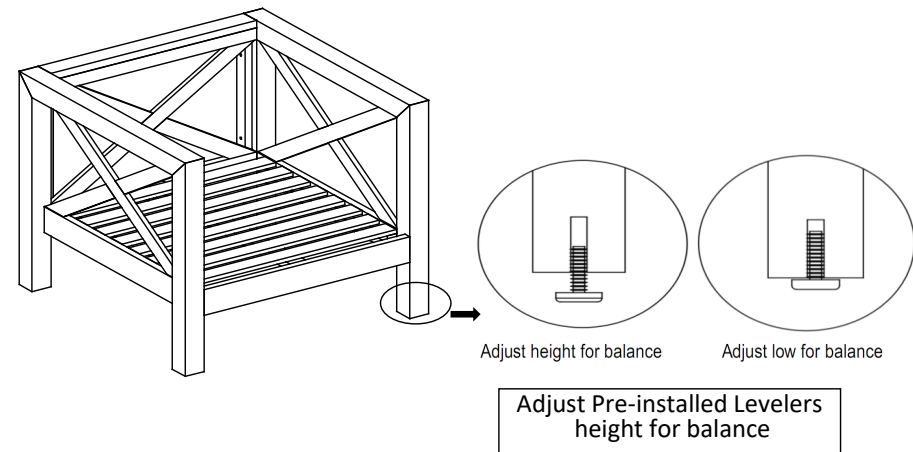
PREPARATION

- *Before beginning assembly of product, make sure all parts are present. Compare parts with package contents list and hardware contents list.
- *If any part is missing or damaged, do not attempt to assemble the product.
- * Estimated Assembly Time : 10 minutes.
- * Tools Required for Assembly (included): Allen Key
- * If you are having difficulty, our friendly Customer care team is always here to help.

3



4



Step 3

Attach Seat Panel(D) to the Chair using Screws(HW2) and Allen (HW3).
Note: Insert Screws(HW2) from inside to outside of Seat Panel(D).

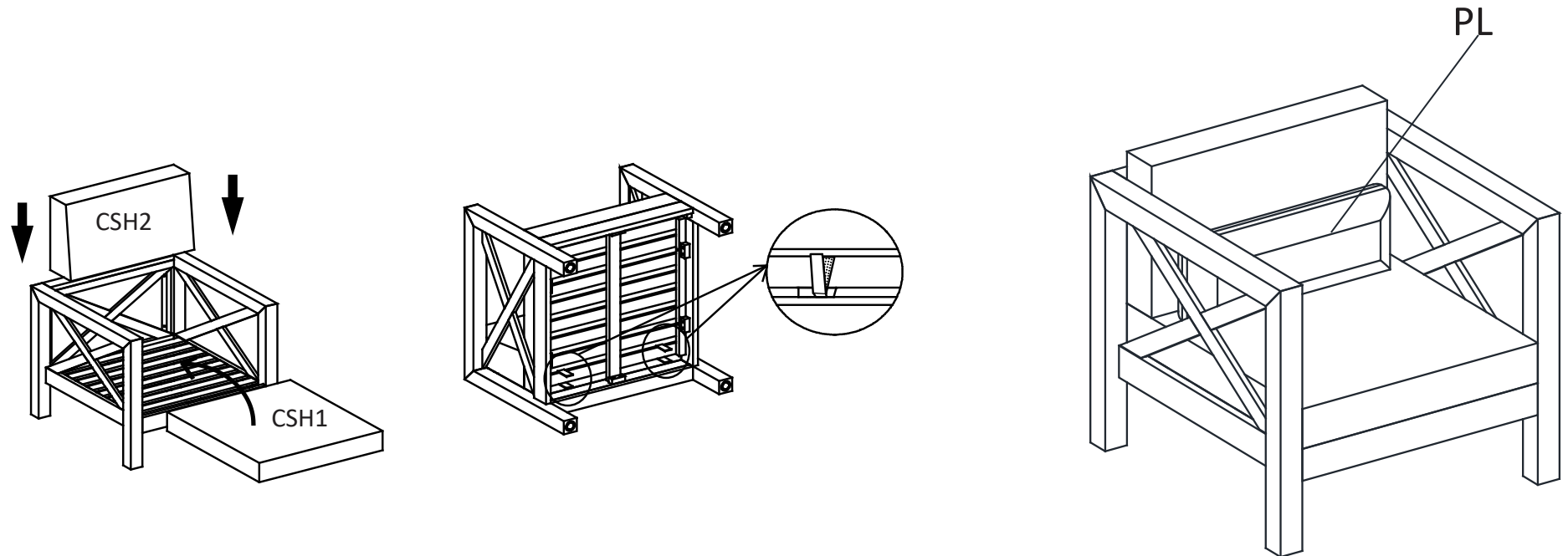
Step 4

Inspect the Chair and make sure all parts are adequately connected. Carefully sit onto the Chair. This pressure will help align all parts at all joints. In a sequential manner, tighten all Bolts and Screws at all joints. Adjust the Levelers until the Chair is level with the ground. To adjust the Levelers, get assistance from an adult partner to lift/lean and hold the Chair while you are working.

PREPARATION

- *Before beginning assembly of product, make sure all parts are present. Compare parts with package contents list and hardware contents list.
- *If any part is missing or damaged, do not attempt to assemble the product.
- * Estimated Assembly Time : 10 minutes.
- * Tools Required for Assembly (included): Allen Key
- * If you are having difficulty, our friendly Customer care team is always here to help.

5



Step 5

Place Seat Cushion(CSH1), and Back Cushion(CSH2), Pillow (PL) onto the Chair, and affix the magic tape straps around the Chair as shown above.

Your Chair is ready to be used.

This Chair can only be used on a flat, level surface