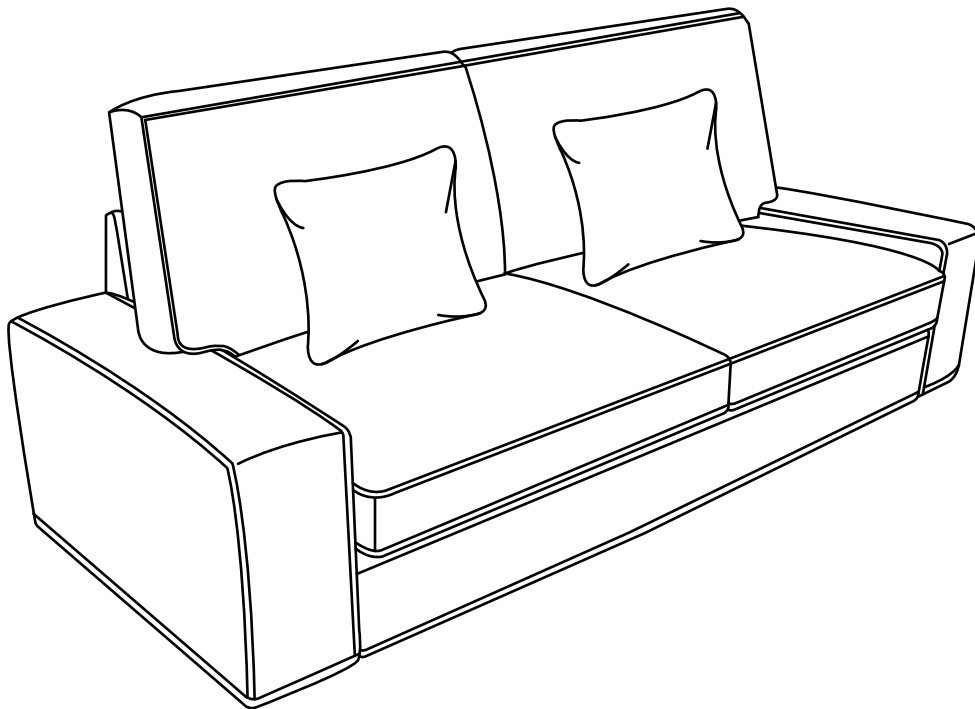


Loveseat

Complete drawing display



Safety And Care Advice

Important - Please read these instructions carefully before installing

Thank you very much for purchasing the product. To use this product safely and correctly, please read these instructions carefully. After reading these instructions, keep this manual in a safe place for future reference. Although this product is expected to be complete and safe, please check that all accessory items are included before attempting to assemble the product. If you find anything in the instruction manual that is difficult to understand, or if you find a defect with the product, stop using it immediately and contact Customer Service.

Warnings :

Children are not allowed to assemble the product. During assembly, keep all small parts out of the reach of children as they may be fatal if swallowed or inhaled. Do not place in front of a fire or other heat source.



After-sales service



Fast installation



Teamwork Recommended



The product parts are packed in two separate cartons. Please wait to receive both complete cartons before proceeding with the installation.


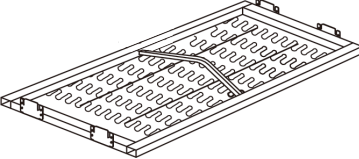

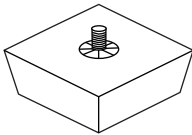

Maintenance and Cleaning Methods

- 1.Regular Vacuuming: Make it a habit to vacuum your fabric sofa regularly, at least once a week, to remove dust, dirt, and crumbs. Use a soft brush attachment to prevent damage to the fabric.
- 2.Spot Cleaning: Deal with spills and stains immediately to prevent them from setting into the fabric. Blot the spill with a clean cloth or paper towel to absorb as much liquid as possible, then use a mild detergent mixed with water to gently clean the area. Always test any cleaning solution on a hidden area of the sofa first to ensure it doesn't cause discoloration.
- 3.Professional Cleaning: Consider having your fabric sofa professionally cleaned at least once a year, especially if it's heavily used or if you have pets. Professional cleaners have the expertise and equipment to deep clean the fabric without causing damage.
- 4..Fluff and Rotate Cushions: Regularly fluff and rotate the cushions on your sofa to ensure even wear and maintain their shape. This will help prevent sagging and prolong the life of the sofa.
- 5.Protect from Sunlight and Pets: Position your fabric sofa away from direct sunlight to prevent fading and discoloration. If you have pets, consider using a protective cover or blanket to minimize damage from claws and hair.

By following these maintenance and cleaning tips, you can keep your fabric sofa looking fresh and inviting for years to come.

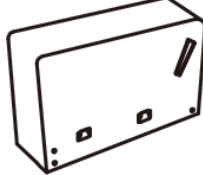
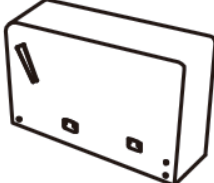
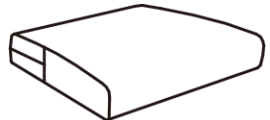

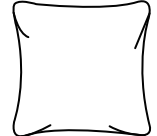
Parts List

The parts list is shown below

illustration	description	quantity
	Backrest	A×1
	Seat frame	B×1
	Front panel	C×1
	Leg	D×4
	Leg	E×1

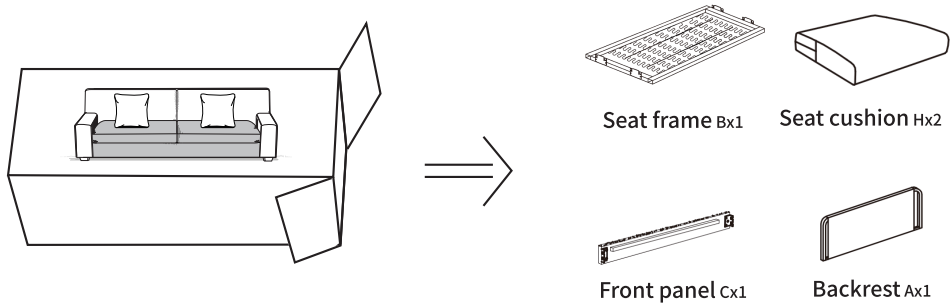
Parts List

The parts list is shown below

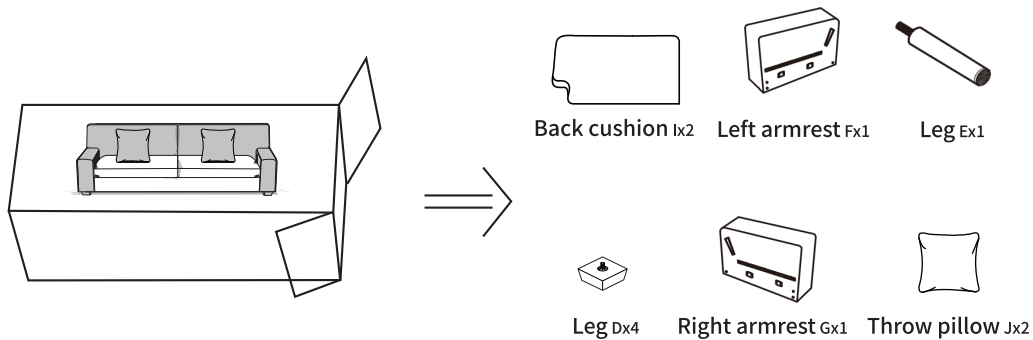
illustration	description	quantity
	Left armrest	F×1
	Right armrest	G×1
	Seat cushion	H×2
	Back cushion	I×2
	Throw pillow	J×2

Installation Procedure

Specific operations are shown in the following figure



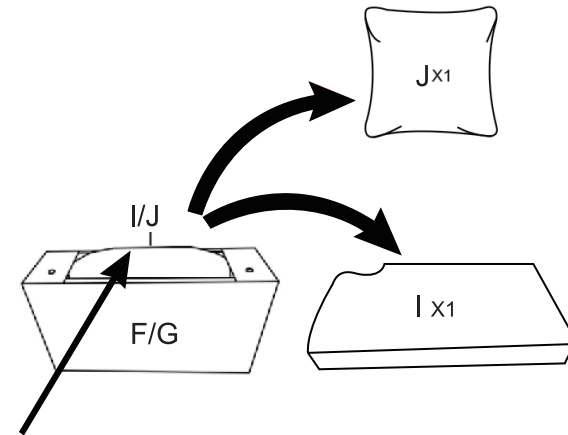
STEP 1: Remove the Seat frame ,Seat cushions,Front panel and Backrest from box A.



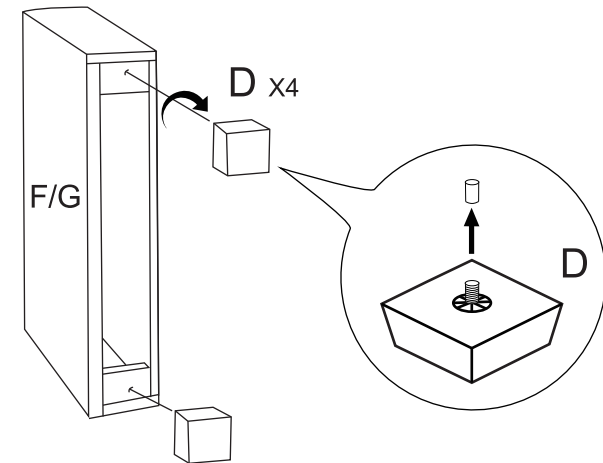
STEP 2: Remove the back cushions, throw pillows, Left armrest, Right armrest and Legs from box B.

Installation Procedure

Specific operations are shown in the following figure



STEP 3: Remove the cushions and throw pillows from the inside of each arm.

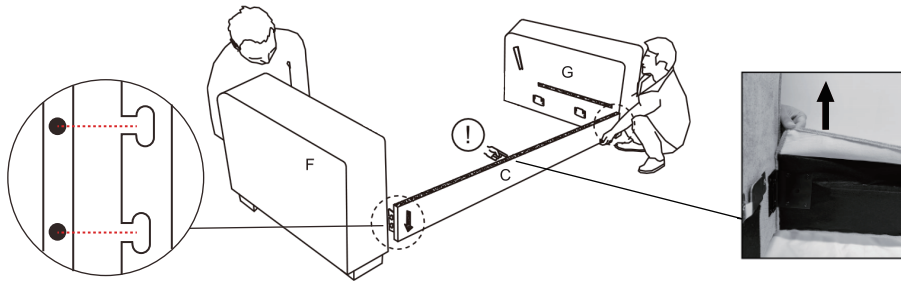


STEP 4: Remove the plastic caps on the bolts of each leg. Flip the arms upside down to screw the legs.

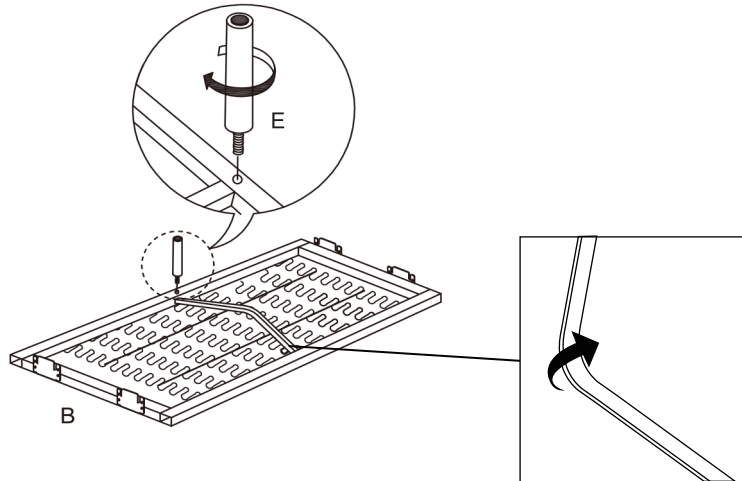
Installation Procedure

Specific operations are shown in the following figure

Keep the surface of the front panel with extra cloth upwards.



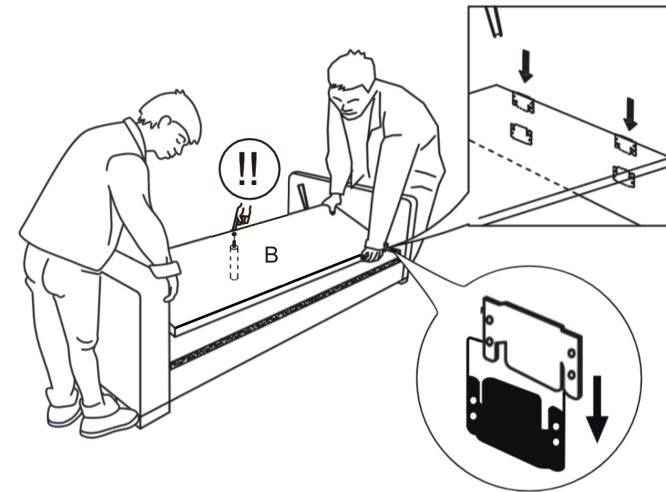
STEP 5: To attach the 2 arms with the front panel slide the connectors of the front panel into the armrest's receivers.



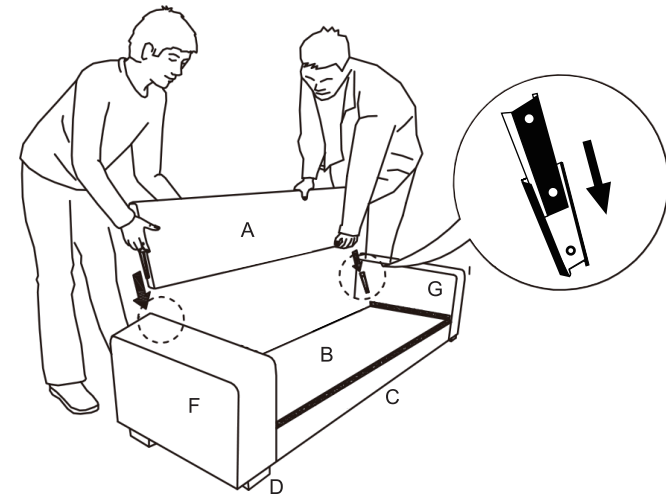
STEP 6: Screw the leg (E) onto the seat base and pull the steel support up.
Note: The steel support are covered by the black lining. Find and pull it up.

Installation Procedure

Specific operations are shown in the following figure



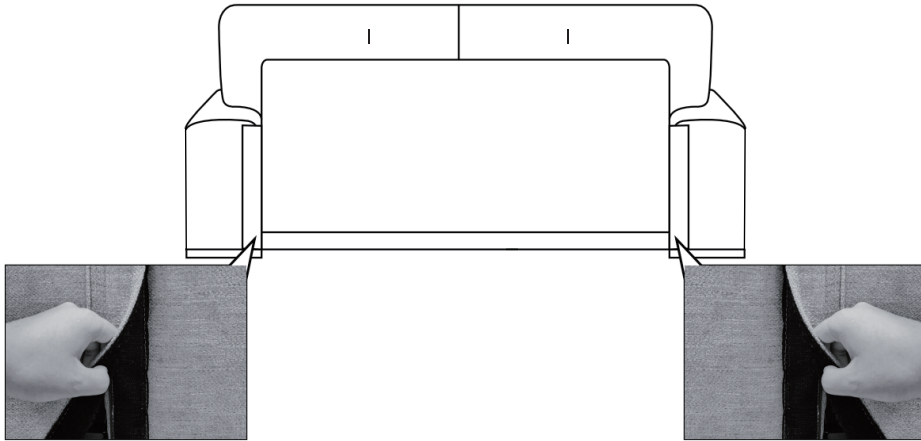
STEP 7: To attach the seat frame, connect the seat's connector into the armrest's receiver. (align, push down to slide into place)



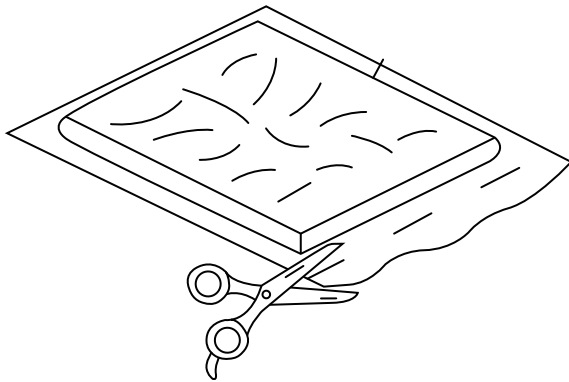
STEP 8: To attach the backrest, slide the connectors of the backrest into the armrest receivers.

Installation Procedure

Specific operations are shown in the following figure



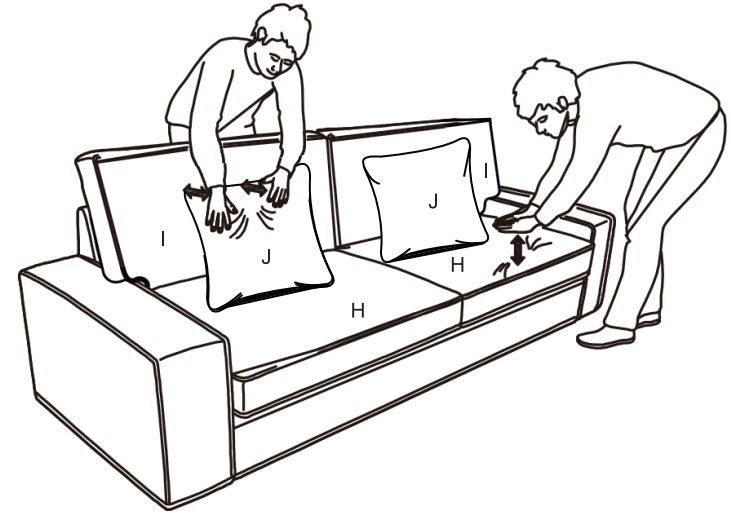
STEP 9: Paste the velcro of backrest onto the armrests and the bottom.



STEP 10 : Open the bag and get the seat and back cushions out.
Note: It will take about 48 hours for the cushion to expand completely.

Installation Procedure

Specific operations are shown in the following figure



STEP 11 : Place the cushions and pat it to smooth out the wrinkle.