











Assembly Instructions

Caution: You must read this before you proceed

Care & Maintenance

	<ul style="list-style-type: none">● Not for commercial use. For residential use only.
	<ul style="list-style-type: none">● Do not put hot items directly on furniture surface.
	<ul style="list-style-type: none">● Do not clean furniture with harsh cleansers or polish.
	<ul style="list-style-type: none">● Do not place furniture under direct sunlight.
	<ul style="list-style-type: none">● Do not place furniture near heating or cooling vents.
	<ul style="list-style-type: none">● Do not write on furniture without a padded barrier to protect the surface.
	<ul style="list-style-type: none">● Do not place furniture outside . For indoor use only.
	<ul style="list-style-type: none">● Stains may be removed with mild soap solution and damp cloth.
	<ul style="list-style-type: none">● Children should not climb or jump on the furniture.
	<ul style="list-style-type: none">● Dust and pick-up spills using a clean, non-colored, lint-free cloth.

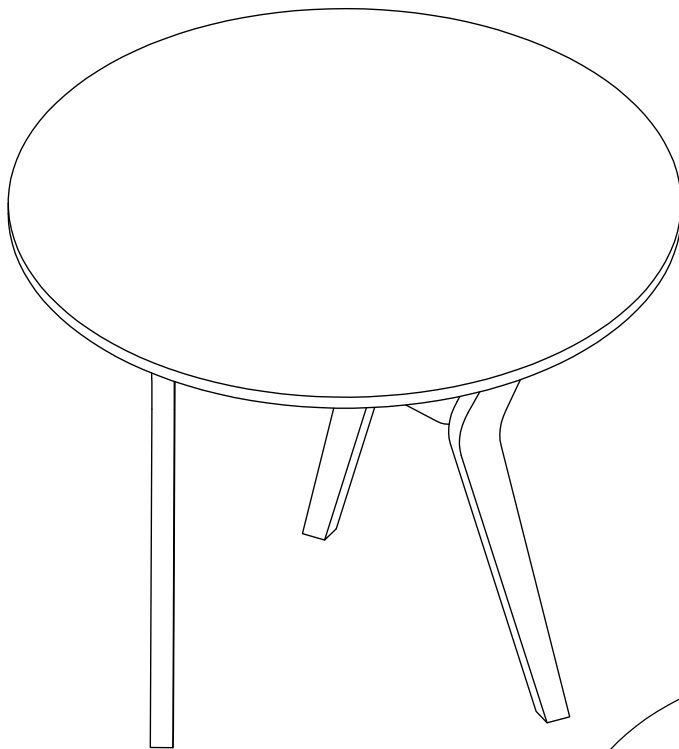
Please look in Corners of carton for hardware packs.

Assembly Instructions

Please look in the Table for Hardware packs and Legs

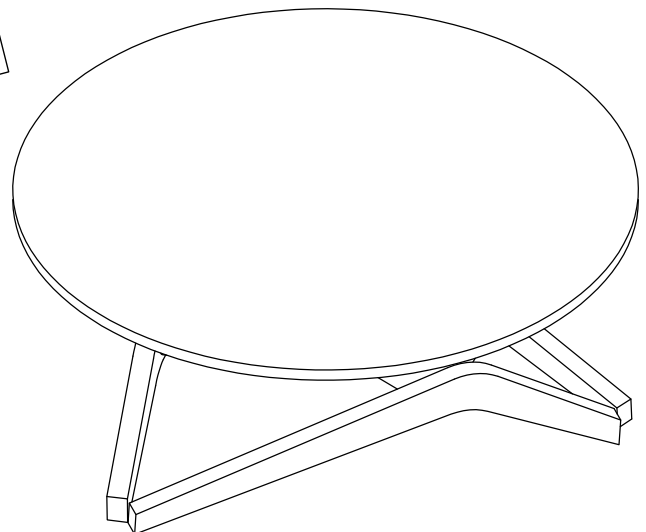
Round Table

Item No: N735P369877N



Dining Table

OR

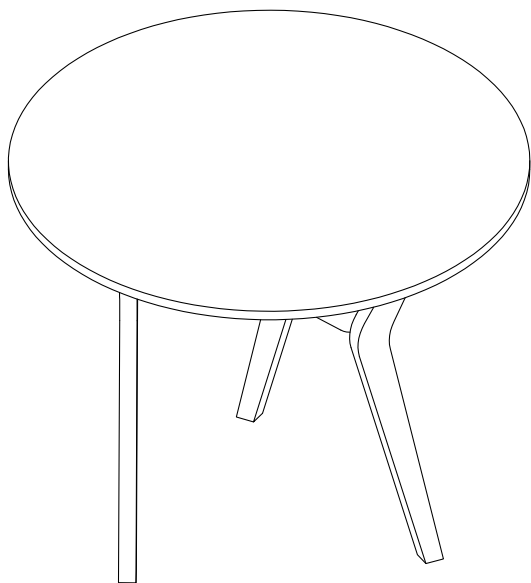
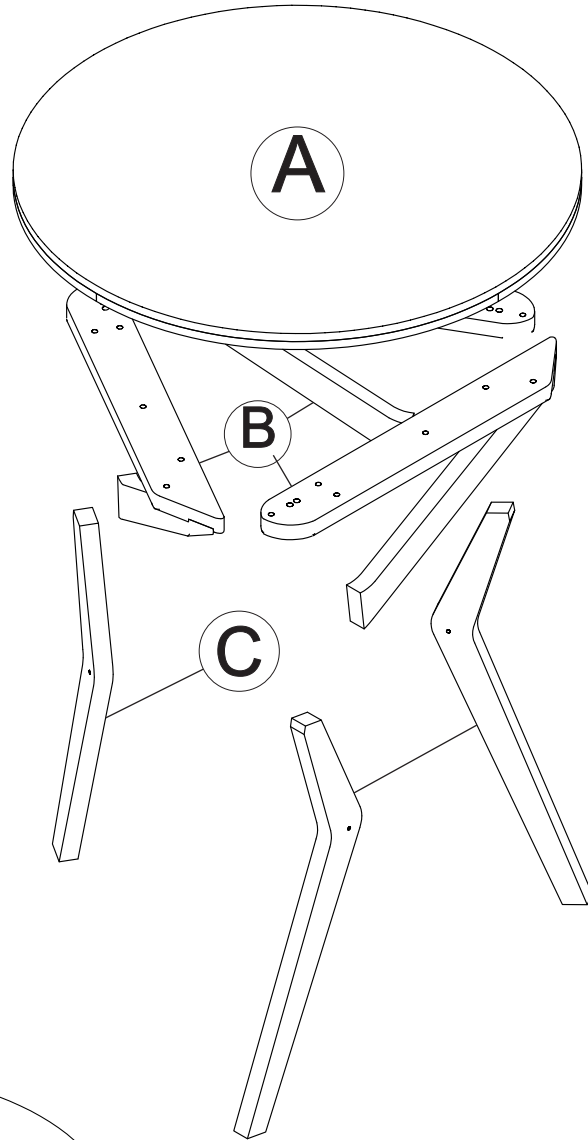


Coffee Table

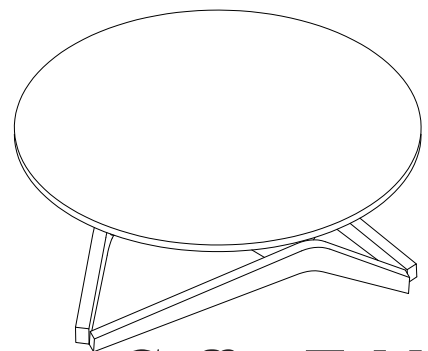
Caution: This Round Table is NOT a TOY. Keep your child / children at bay during the assembly process. Whenever lifting or moving the Loveseat and to prevent damage to the Table, two adults may be needed to execute these actions.

ASSEMBLY INSTRUCTION

ITEM NO. N735P369877N



Dining Table



Coffee Table

ASSEMBLY INSTRUCTION

ITEM NO. N735P369877N

Part List

(A)

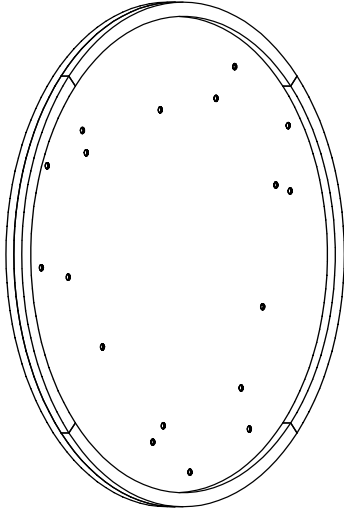
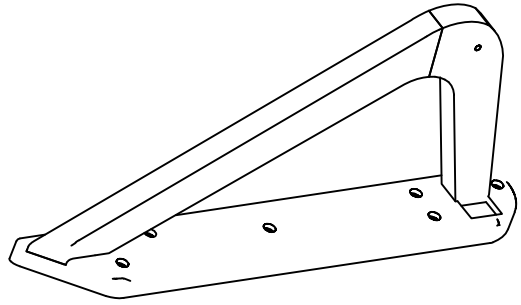


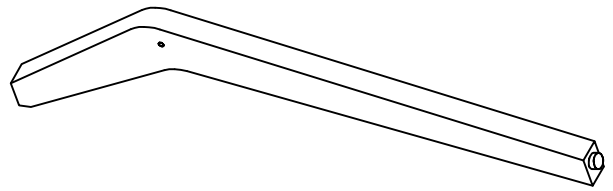
Table Top = 1pc

(B)



Support Legs = 3pcs

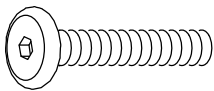
(C)



Legs = 3pcs

Hardware List

(1)



Bolt 1/4" x 38mm =18 pcs

(2)



Bolt 1/4" x 65mm =3 pcs

(3)



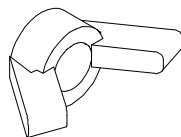
Spring Washer =18 pcs

(4)



Flat Washer = 21pcs

(5)



Wing Nut = 3 pcs

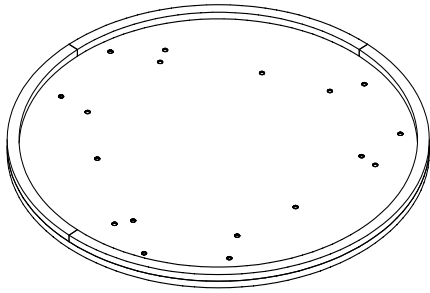
(6)



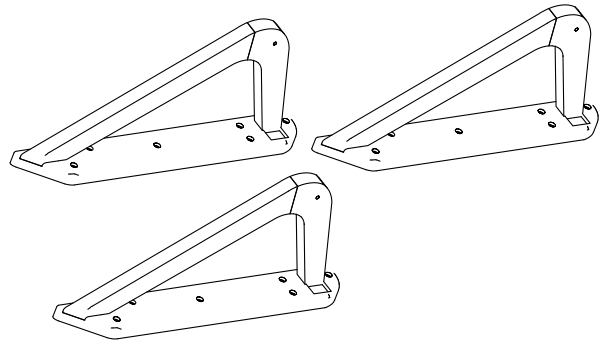
Allen Key 4x 80=1 pc

Assembly Preparation

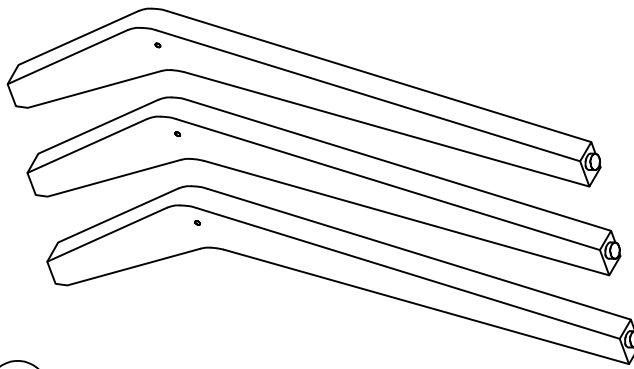
Before Beginning Assembly:



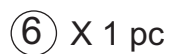
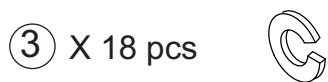
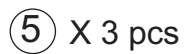
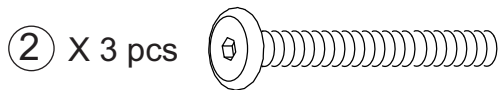
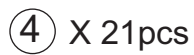
A Table Top = 1pc



B Support Legs = 3pcs



C Legs = 3pcs



Assembly Preparation Before Beginning Assembly:



- Read instructions, cover to cover-



- Have 2 adults on hand for assembly-



- Do not assemble on flooring or carpet-



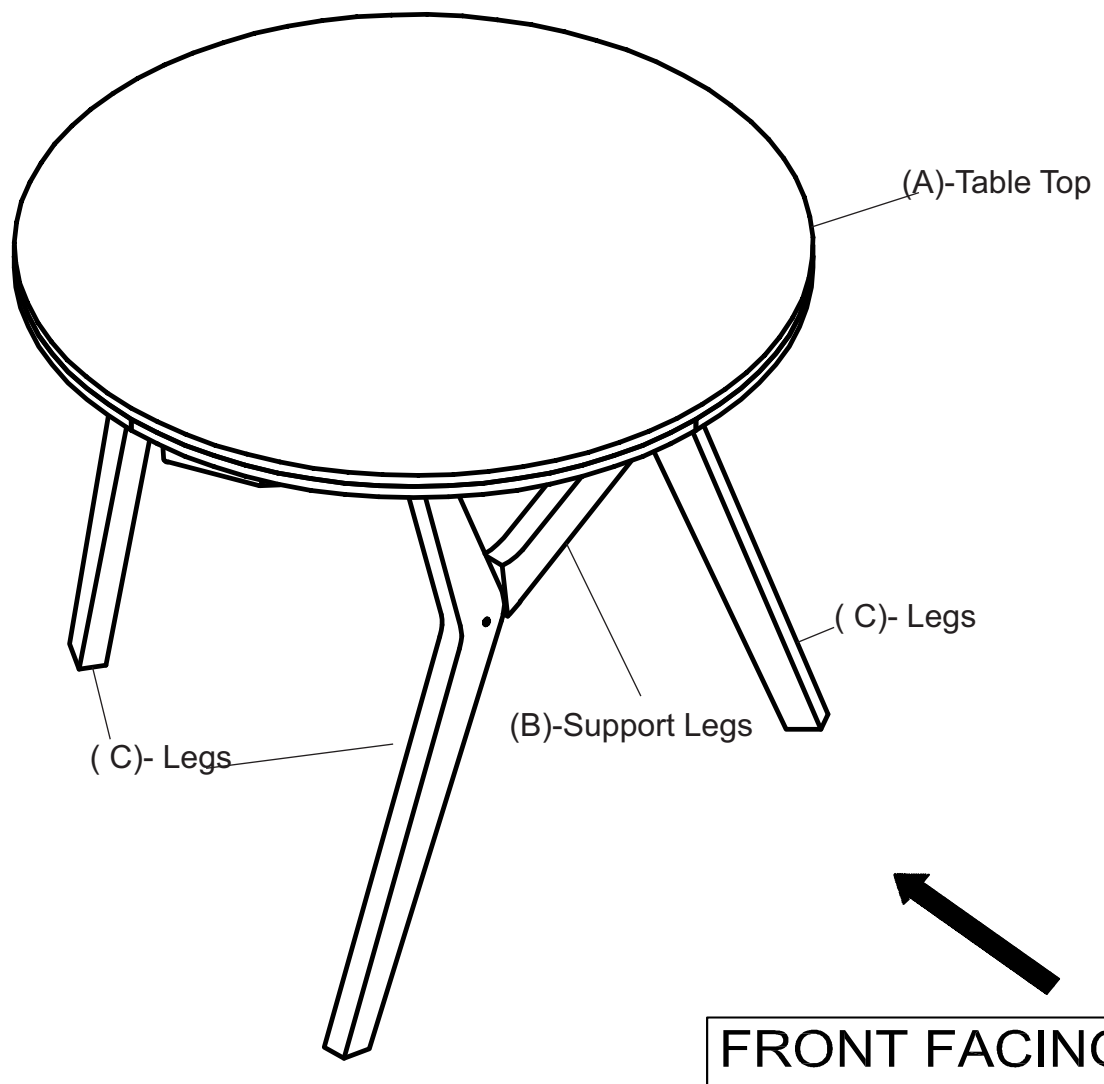
- Assemble on a clean non-marring surface (packing foam)-



- Save all packaging until finished-

Assembly Steps

Overview



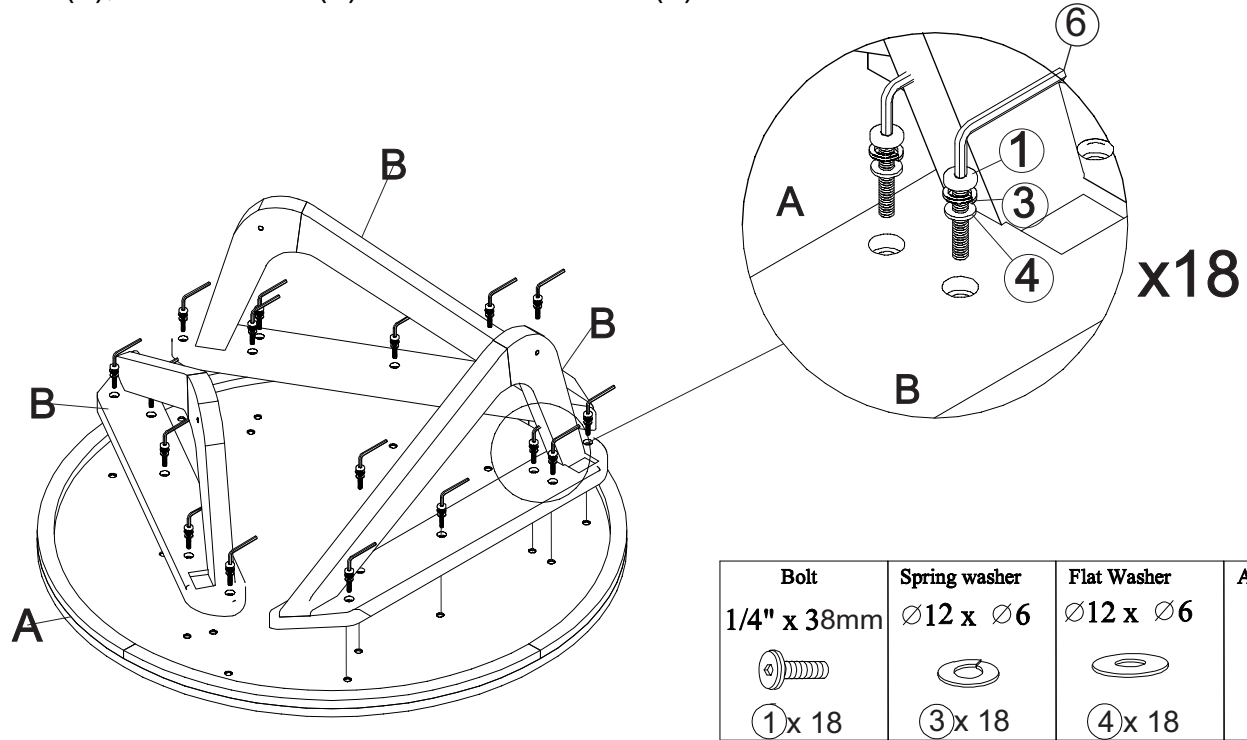
This Round Table has multiple parts and may require up to 30 minutes to assemble. To give you an overview of the Table parts, the above picture is to help you put the various parts into perspective. Please read through the instructions below to familiarise yourself with the parts and steps before assembly.





ASSEMBLY INSTRUCTION

ITEM NO. N735P369877N

Step 1 Unpack and place all parts on clean, non - marring surface.

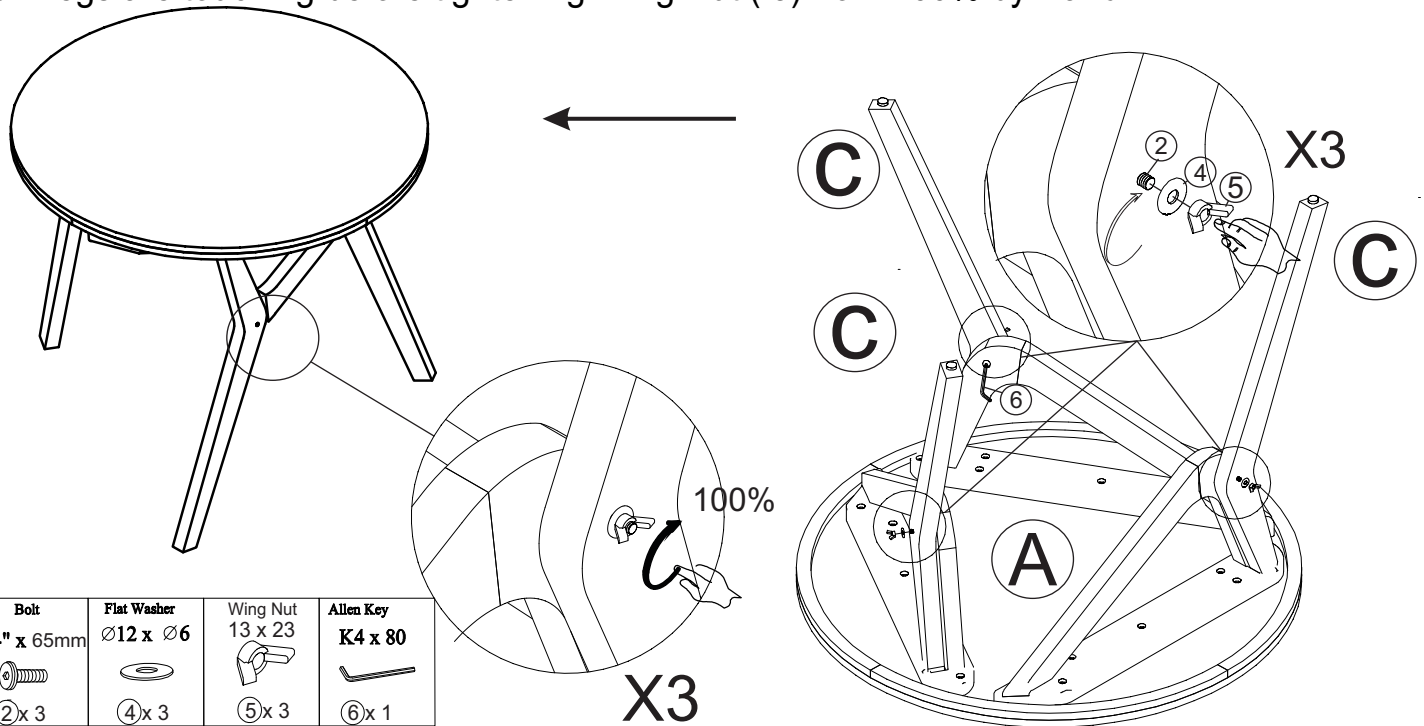
Attach the Support Legs (B) onto the Table Top (A). Affix them by using the Bolt (1), Spring Washer (3), Flat washer (4) and Allen Wrench (6)







Bolt	Spring washer	Flat Washer	Allen Key
1/4" x 38mm	Ø12 x Ø6	Ø12 x Ø6	K4 x 80
			
① x 18	③ x 18	④ x 18	⑥ x 1

Step 2.1 DINING TABLE

Attach the Legs (C) onto the Support Legs (B). Affix them by using the Bolt (2), Flat washer (4), Wing Nut (5) and Allen Key (6). Flip the Table over on a Flat surface & make all Legs are touching before tightening Wing Nut (5) from 100% by Hand.



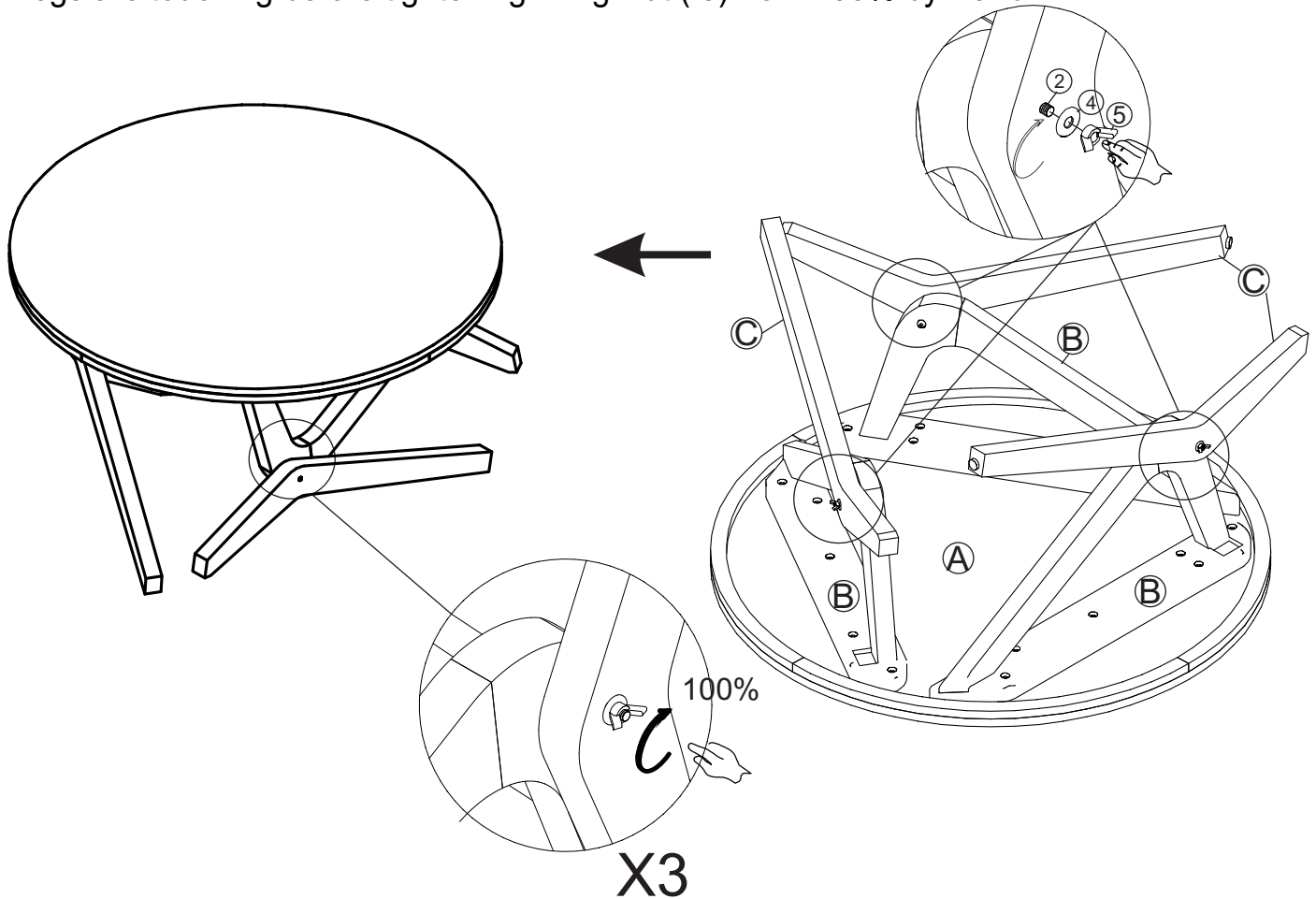
Bolt	Flat Washer	Wing Nut	Allen Key
1/4" x 65mm	Ø12 x Ø6	13 x 23	K4 x 80
			
② x 3	④ x 3	⑤ x 3	⑥ x 1





ASSEMBLY INSTRUCTION

ITEM NO. N735P369877N

Step 2.2 COFFEE TABLE

Attach the Legs (C) onto the Support Legs (B). Affix them by using the Bolt (2), Flat washer (4), Wing Nut (5) and Allen Key (6). Flip the Table over on a Flat surface & make all Legs are touching before tightening Wing Nut (5) from 100% by Hand.



Bolt	Flat Washer	Wing Nut	Allen Key
1/4" x 65mm	∅12 x ∅6	13 x 23	K4 x 80
			
②x 3	④x 3	⑤x 3	⑥x 1

Exert pressure floorwards onto the Table top of Table with both your hands.

This pressure will help the Legs and Table Top reach full alignment status.

Check for wobbles on a LEVEL surface.

If no wobbles are found proceed to tighten the Bolts and screws in a sequential manner until evenly secured.

Your Table is ready for use,

This Table can only be used on the flat, level surface

ASSEMBLY INSTRUCTION

ITEM NO. N735P369877N

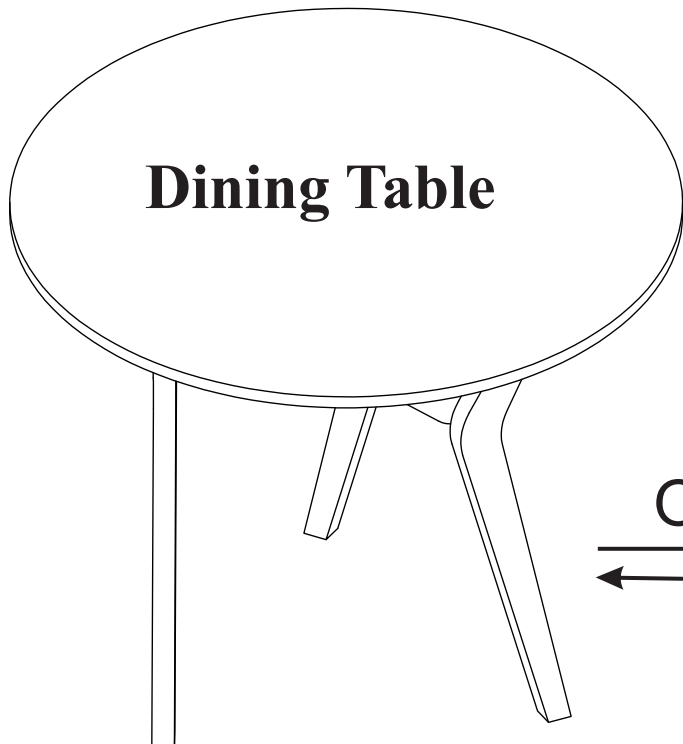
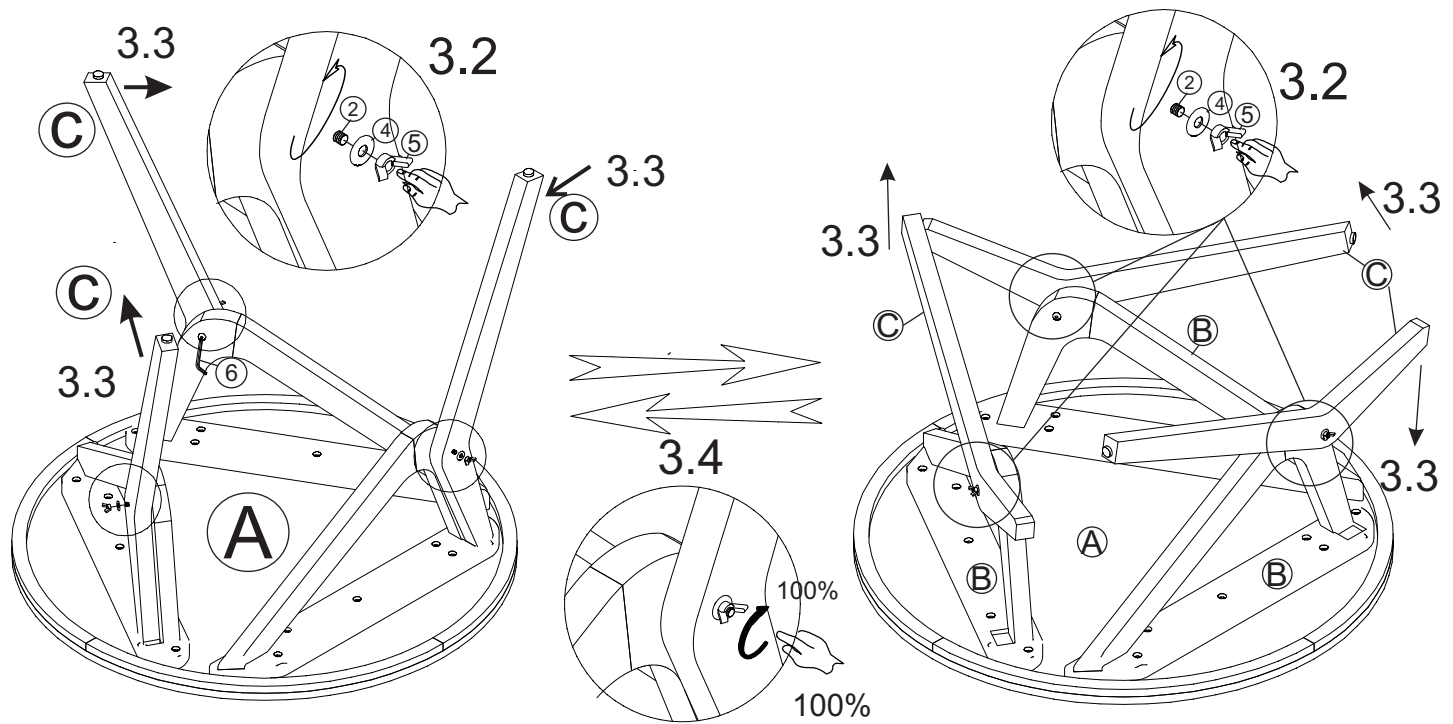
Step 3: If you wish to change the usage from a Dining table to a Coffee table, or vice versa, please follow the steps below:

3.1-Place the table upside down on a flat, clean surface.

3.2-Manually loosen the wing nuts by approximately 10%.

3.3-Move the table legs into the designated positions for the desired table configuration and tighten the wing nuts to keep the legs in place.

3.4-Turn the table upright, check that all legs are correctly positioned, and securely tighten the wing nuts 100%



OR
↔

