

ASSEMBLY INSTRUCTION FOR ACME FURNITURE

Model #60542

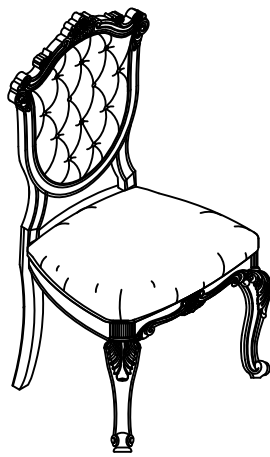
DESCRIPTION: SIDE CHAIR

Thank you for purchasing this quality product. Be sure to check all packing materials carefully for small parts may have come loose inside the carton during shipment. Identify and count all parts and compare with the parts listed below.

**** Do not fully tighten screws until fully assembled ****

PARTS LIST:

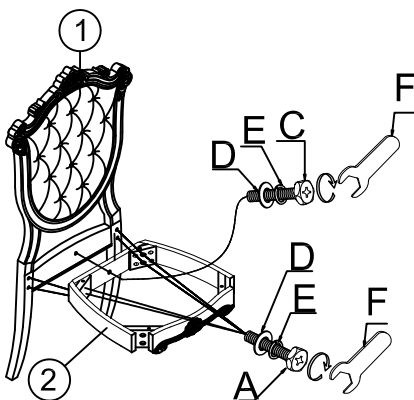
①		②		③		④	
BACK FRAME:1PC		SEAT FRAME:1PC		FRONT LEGS:2PCS		SEAT CUSHION:1PC	



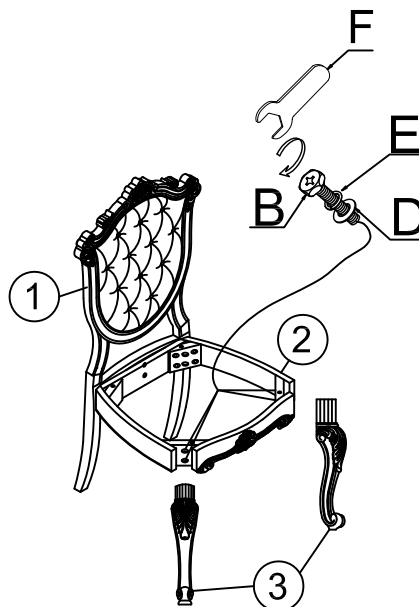
HARDWARE LIST

NO.	Drawing	Description	Q'ty
A		Bolt (Φ5/16"x3")	4pcs
B		Bolt (Φ5/16"x2-1/4")	4pcs
C		Bolt (Φ5/16"x1-3/4")	1pc
D		Flat washer (ø5/16"x19mm)	9pcs
E		Spring washer (ø5/16")	9pcs
F		Ø5/16" Wrench(12mm)	1pc
G		Screw (Φ8x1-1/2")	4pcs

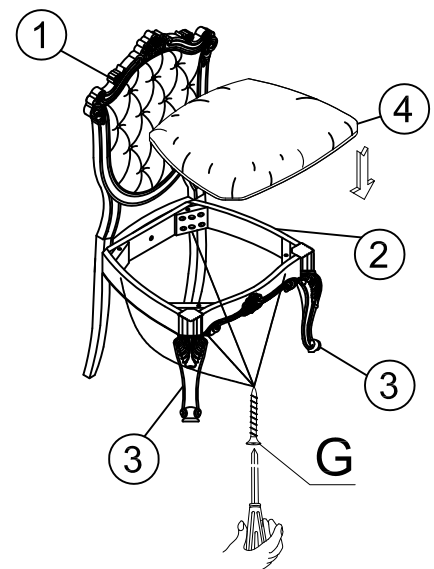
STEP 1:



STEP 2:



STEP 3:



CLEANING INSTRUCTION

Clean the surface of the Side Chair with furniture polish and a soft cloth.

Attention

*** Some number parts listed on the instruction sheet may not be in parts bag as they may be assembled. Carefully check parts and packing materials prior to ordering replacements.***

ASSEMBLY INSTRUCTION FOR ACME FURNITURE

Model #60543

DESCRIPTION: ARM CHAIR

Thank you for purchasing this quality product. Be sure to check all packing materials carefully for small parts may have come loose inside the carton during shipment. Identify and count all parts and compare with the parts listed below.

**** Do not fully tighten screws until fully assembled ****



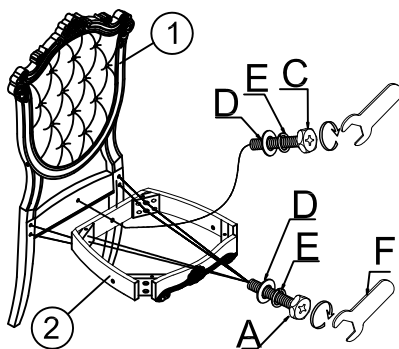
PARTS LIST:

①	②	③	④	⑤	⑥
BACK FRAME:1PC	SEAT CUSHION-FRAME:1PC	FRONT LEGS:2PCS	LEFT ARM:1PC	RIGHT ARM:1PC	SEAT CUSHION:1PC

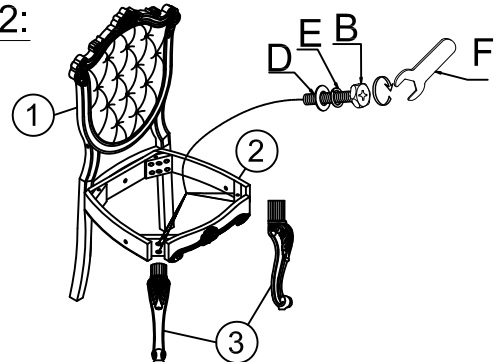
HARDWARE LIST

NO.	Drawing	Description	Q'ty
A		Bolt (Ø5/16"x3")	4pcs
B		Bolt (Ø5/16"x2-1/4")	4pcs
C		Bolt (Ø5/16"x1-3/4")	3pcs
D		Flat washer (Ø5/16"x19mm)	11pcs
E		Spring washer (Ø5/16")	11pcs
F		Ø5/16" Wrench(12mm)	1pc
G		Screw (Ø8x1-1/2")	6pcs

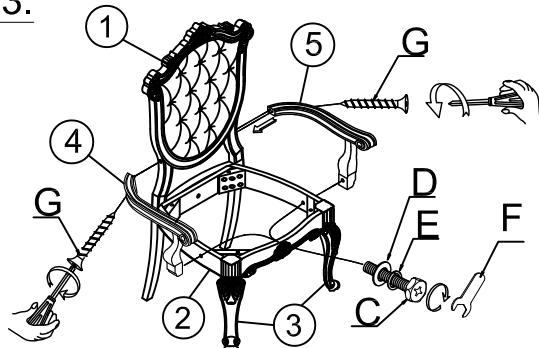
STEP 1:



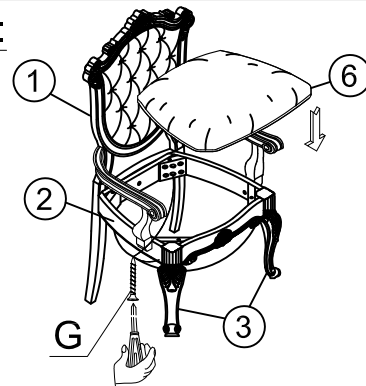
STEP 2:



STEP 3:



STEP 4:



CLEANING INSTRUCTION

Clean the surface of the Arm Chair with furniture polish and a soft cloth.

Attention

*** Some number parts listed on the instruction sheet may not be in parts bag as they may be assembled. Carefully check parts and packing materials prior to ordering replacements.***

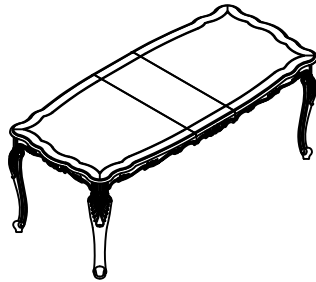
ASSEMBLY INSTRUCTION FOR ACME FURNITURE

Model #60540




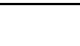
DESCRIPTION: DINNING TABLE

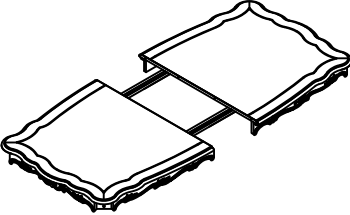
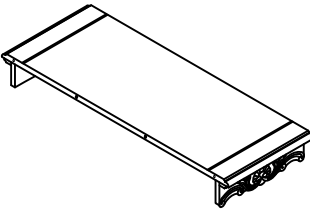

Thank you for purchasing this quality product. Be sure to check all packing materials carefully for small parts may have come loose inside the carton during shipment. Identify and count all parts and compare with the parts listed below.

**** Do not fully tighten screws until fully assembled ****



PARTS LIST:

HARDWARE LIST			
NO.	Drawing	Description	Q'ty
A		Bolt (Φ5/16"x3")	8pcs
B		Flat washer (Φ5/16"x19mm)	8pcs
C		Spring washer (Φ5/16")	8pcs
D		Φ5/16" Wrench(12mm)	1pc

① 	② 	③ 
TABLE TOP:1PC	LEAF: 1PC	LEGS: 4PCS

STEP 1:

STEP 2:

CLEANING INSTRUCTION

Clean the surface of the Dining Table with furniture polish and a soft cloth.

Attention

*** Some number parts listed on the instruction sheet may not be in parts bag as they may be assembled. Carefully check parts and packing materials prior to ordering replacements.***

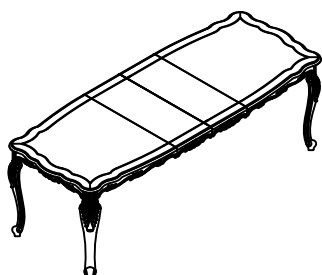
ASSEMBLY INSTRUCTION FOR ACME FURNITURE

Model #60547

DESCRIPTION: DINNING TABLE

Thank you for purchasing this quality product. Be sure to check all packing materials carefully for small parts may have come loose inside the carton during shipment. Identify and count all parts and compare with the parts listed below.

**** Do not fully tighten screws until fully assembled ****



PARTS LIST:

HARDWARE LIST			
NO.	Drawing	Description	Q'ty
A		Bolt (Φ5/16"x3")	8pcs
B		Flat washer (Φ5/16"x19mm)	8pcs
C		Spring washer (Φ5/16")	8pcs
D		Φ5/16" Wrench(12mm)	1pc

① 	② 	③
TABLE TOP: 1PC	LEAF: 2PCS	LEGS: 4PCS

STEP 1:

STEP 2:

CLEANING INSTRUCTION

Clean the surface of the Dining Table with furniture polish and a soft cloth.

Attention

*** Some number parts listed on the instruction sheet may not be in parts bag as they may be assembled. Carefully check parts and packing materials prior to ordering replacements.***

ASSEMBLY INSTRUCTION FOR ACME FURNITURE

Model #60544H/60545B



DESCRIPTION: HUTCH/BUFFET

Thank you for purchasing this quality product. Be sure to check all packing materials carefully for small parts may have come loose inside the carton during shipment. Identify and count all parts and compare with the parts listed below.


**** Do not fully tighten screws until fully assembled ****

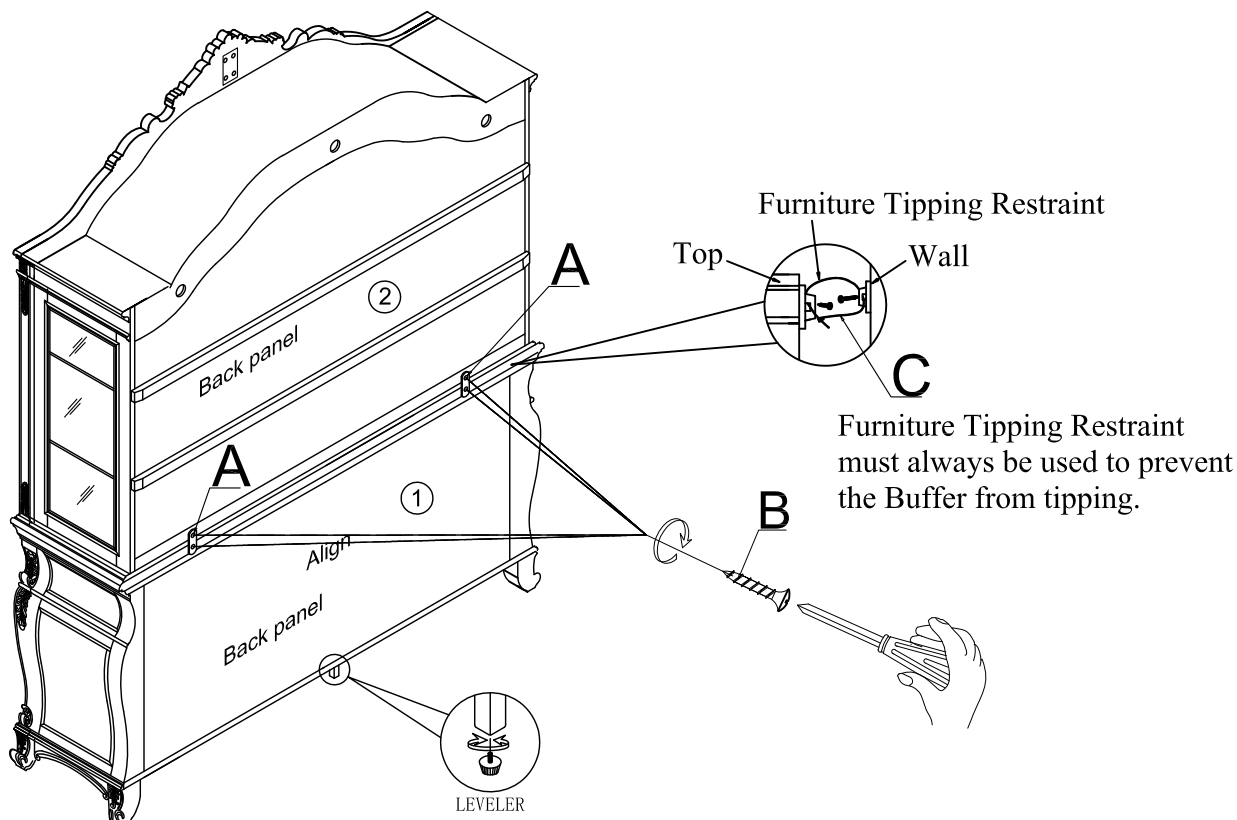


PARTS LIST:

①		②	
	BUFFET:1PC		HUTCH:1PC

HARDWARE LIST

NO.	Drawing	Description	Q'ty
A		Metal Connector	2pcs
B		Screw (Φ8x3/4")	4pcs
C		Furniture Tipping Restraint	1Set



CLEANING INSTRUCTION

Clean the surface of the Hutch/Bufferet with furniture polish and a soft cloth.

Attention

*** Some number parts listed on the instruction sheet may not be in parts bag as they may be assembled. Carefully check parts and packing materials prior to ordering replacements.***