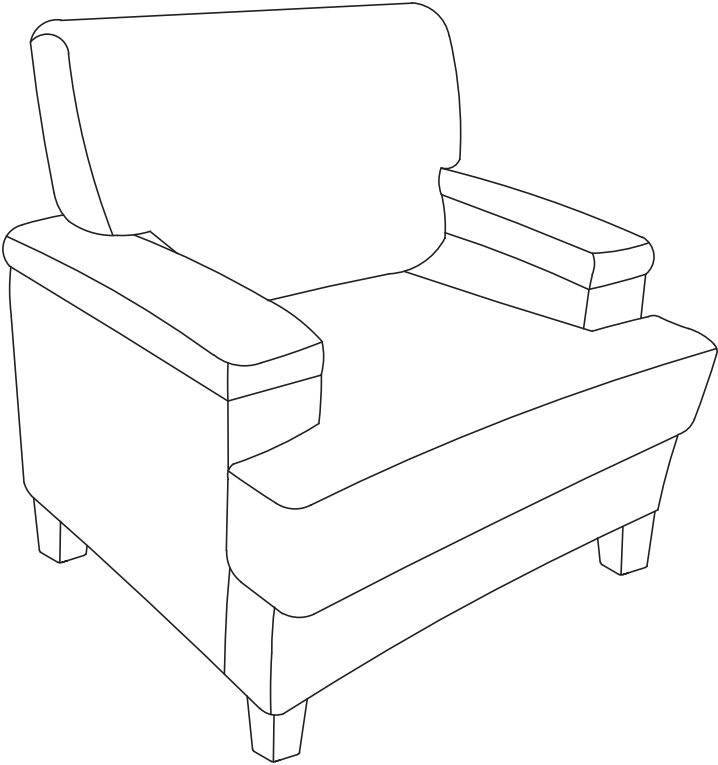


Accent Chair



NOTICE



Please keep these instructions for future reference.

Dear Customer

- Thank you for your purchase. Upon receiving the product, please first check that all parts are intact, then follow the instructions in this manual for assembly.
- During assembly, do not tighten the screws all at once. Ensure each screw is tightened to about first, then fully tighten them.
Please install the chair on a clean floor or carpet to avoid getting it dirty during the installation process.

If problem occur unsatisfactorily as follows

- A . The outer box is damaged
- B . The product is damaged / bent / cracked while you open the box
- C . The parts / accessories / assembly tools are missing
- D . The instructions are not clear and can not be referred
- E . The product has functional problems
- F . Other aspects that you are not satisfied with

Please feel free to contact us for help.

AFTER-SALE

Guaranteed Customer Service

We deeply care about your shopping experience.

Not satisfied? Contact us!

Need assistance?

Contact us!

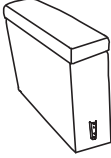
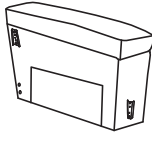
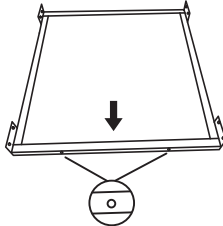
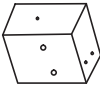
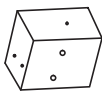
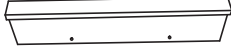
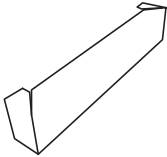

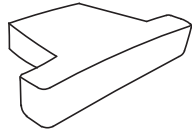


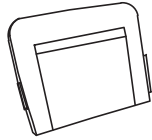
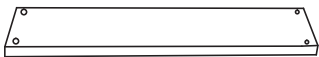
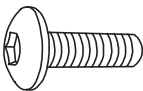

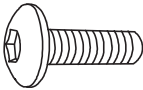
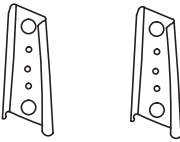
Want to share how our furniture has pleasantly surprised your life?

Share your photos with us!

PART LIST



Before installation, please check that the parts are all included!

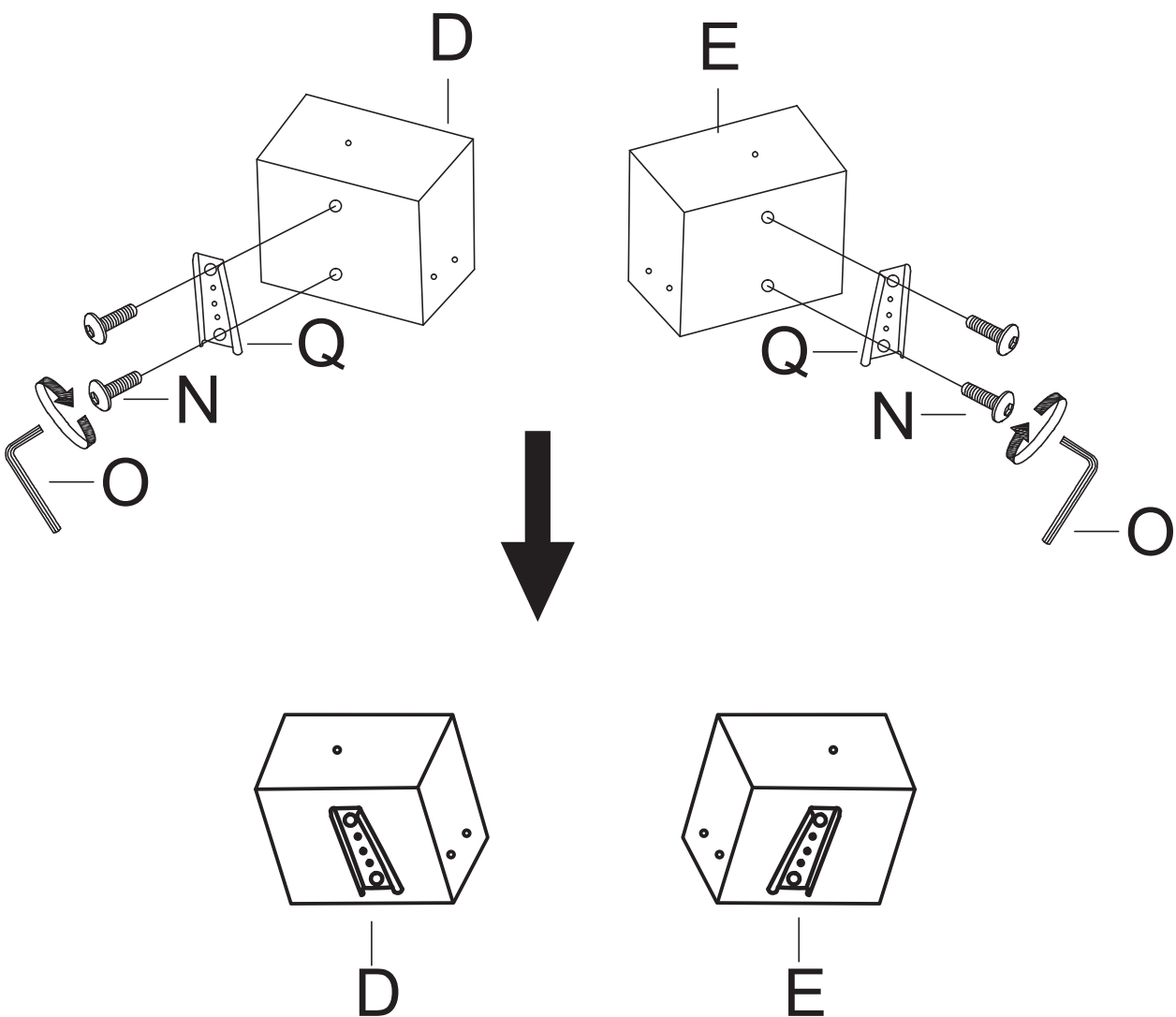
<p>A</p>  <p>1pc Left Armrest</p>	<p>B</p>  <p>1pc Right Armrest</p>	<p>C</p>  <p>1pc Cushion panel</p>
<p>D</p>  <p>1pc In front of the armrest</p>	<p>E</p>  <p>1pc In front of the armrest</p>	<p>F</p>  <p>1pc Front side panel</p>
<p>G</p>  <p>1pcs Front baffle cloth</p>	<p>H</p>  <p>1pcs Headrest</p>	<p>I</p>  <p>1pcs Cushion</p>
<p>J</p>  <p>2pcs Corner Braces</p>	<p>K</p>  <p>4pcs Chair Legs</p>	<p>L</p>  <p>1pc Cushion Board</p>
<p>M</p>  <p>1pc Rear Side Panel</p>	<p>N</p>  <p>20pcs Screws M6*20</p>	<p>O</p>  <p>1pc L-Shaped Screwdriver</p>
<p>P</p>  <p>2pcs Screws M6*35</p>	<p>Q</p>  <p>2pcs Insert</p>	

TIPS: We recommend two people for assembly

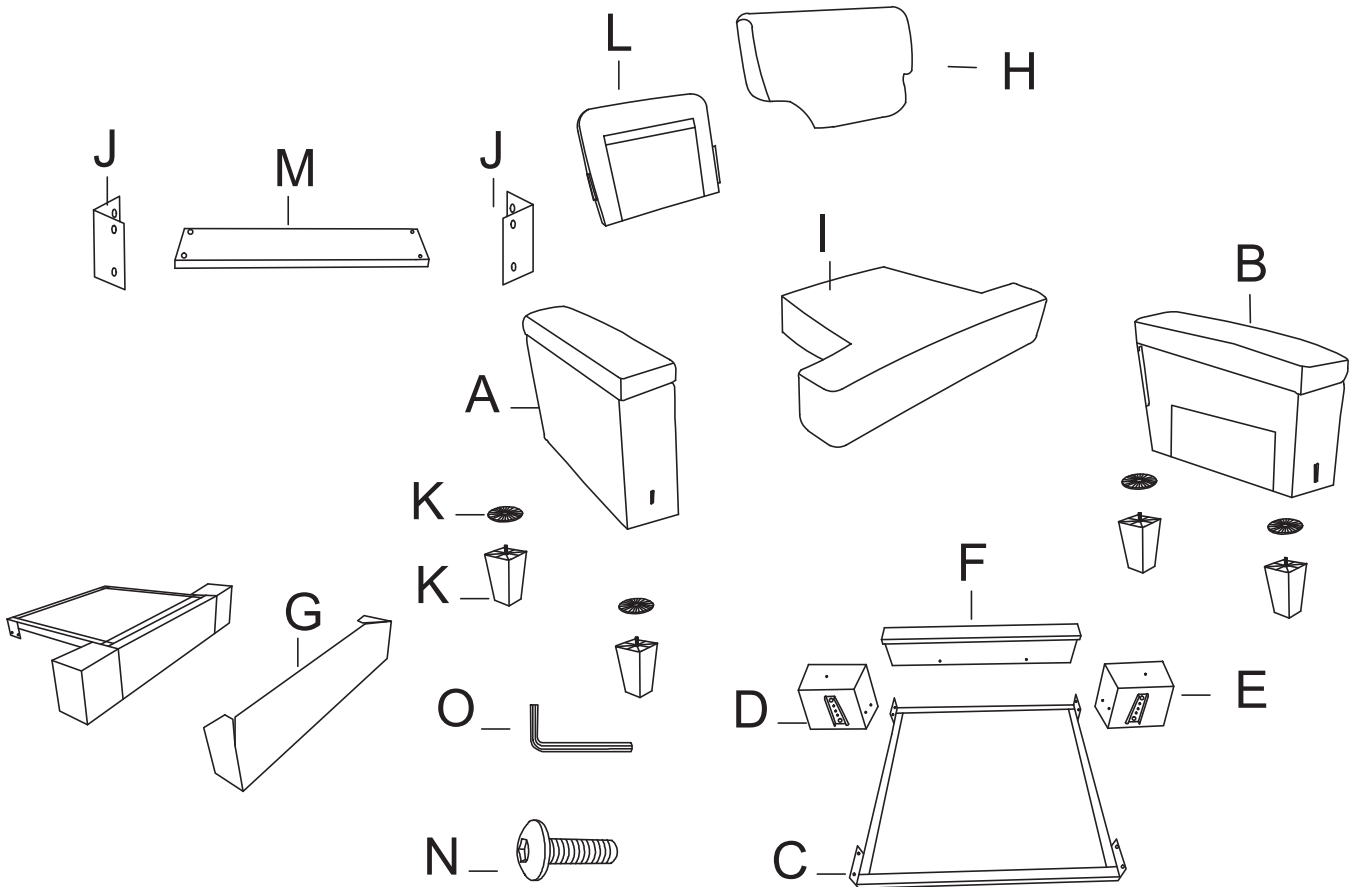
FIRST

First, take out the feet (K) in the armrest boxes (A, B), and those in front of the armrests (D, E).

Install the parts in front of the armrests (D, E).



PART LIST



STEP

1

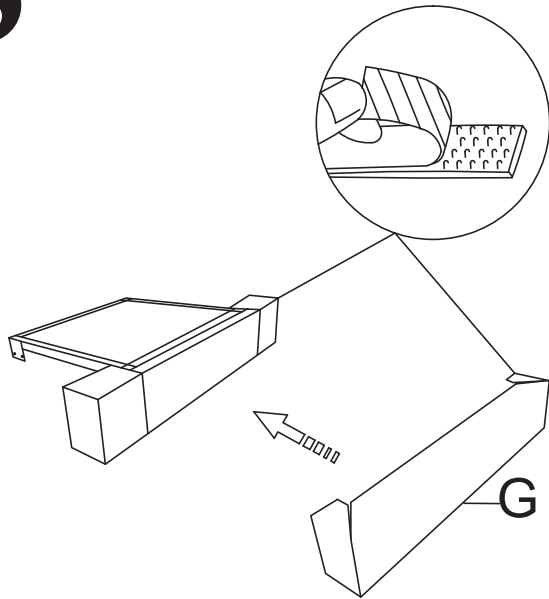
Open the non-woven fabric of frame C. Install the front panels in the order of F, D, and E onto frame C, securing each with screw N to approximately 60% tightness. Ensure the edges of D, F, and E are aligned on the same level, then fully tighten screw N.

2

Stick the non-woven fabric firmly.

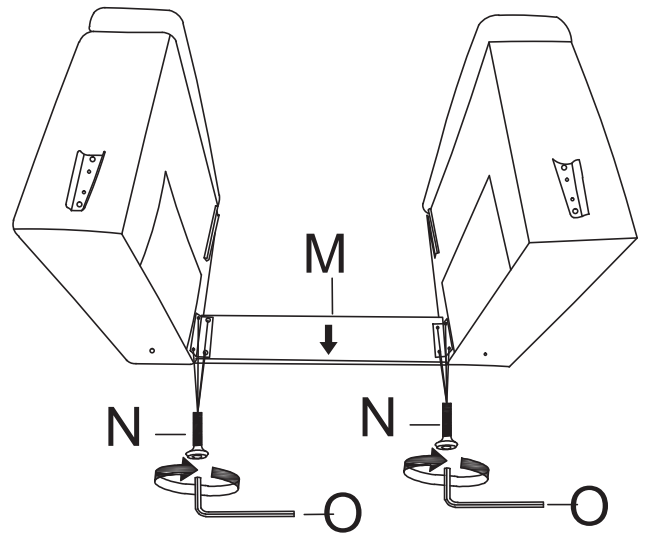
STEP

3



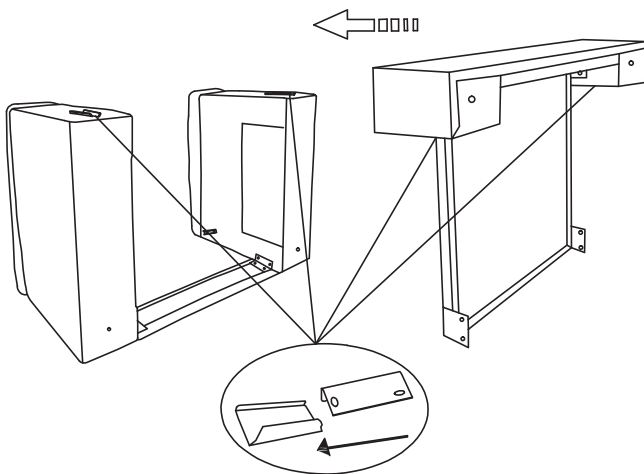
Stick the front baffle cloth

4



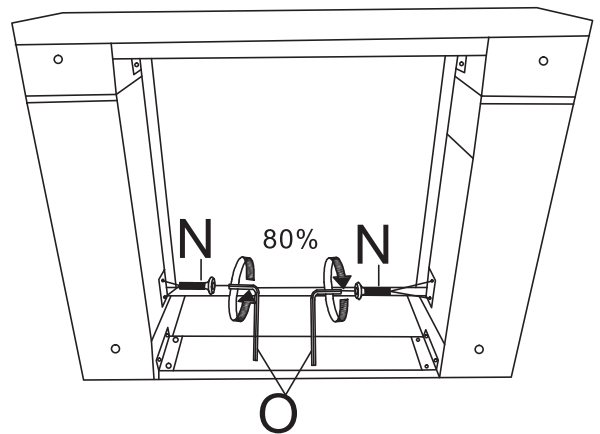
Connect the corner bracket (J) and the connecting plate (M) to the rear side.

5



Link the first step and the fourth step of the assembly completion with the insert pieces.

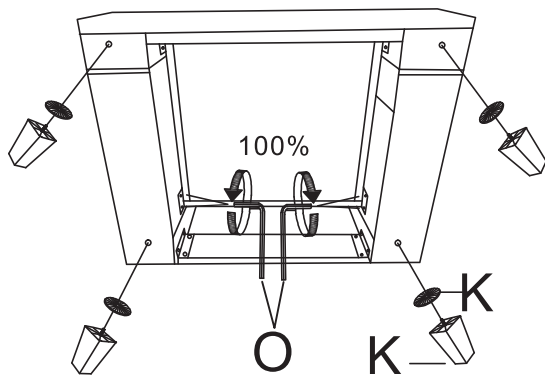
6



Connect with screws

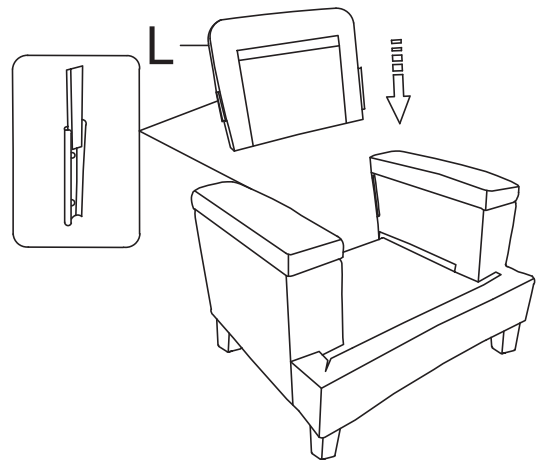
STEP

7



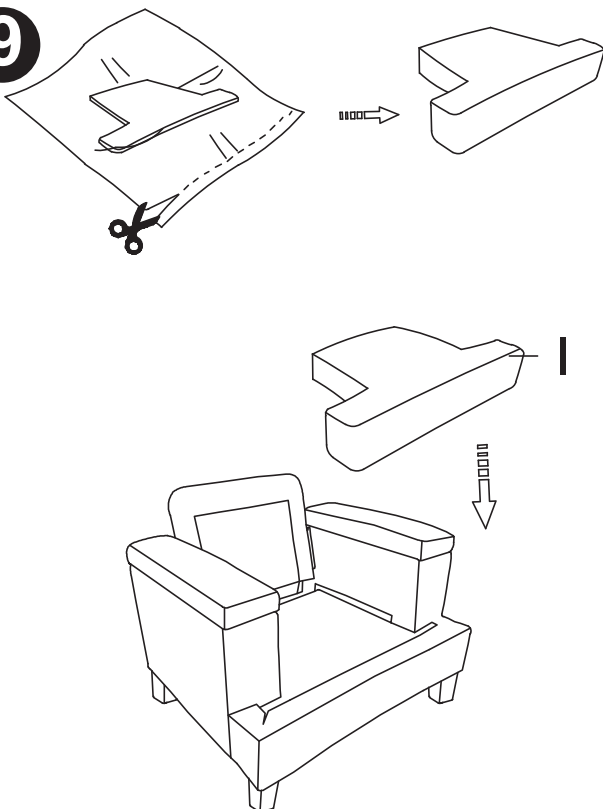
Add Flat Washers(K), install Chair Legs(K)

8



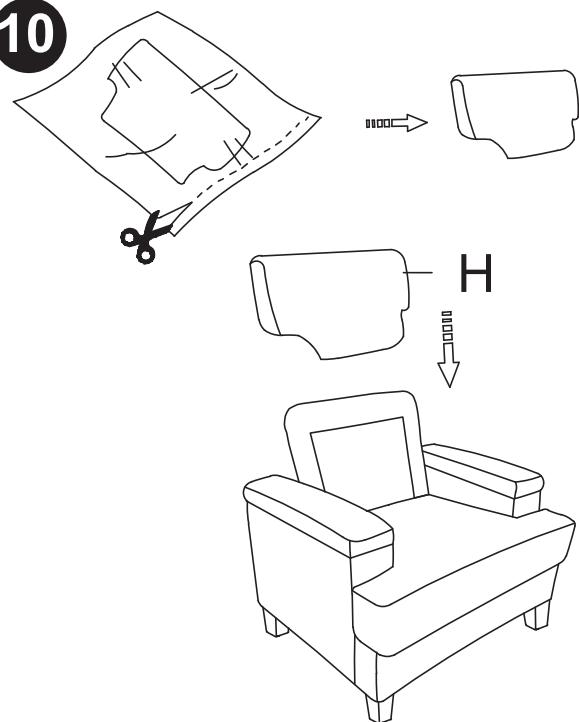
Insert the back frame (L).

9



Place the seat cushion (I)

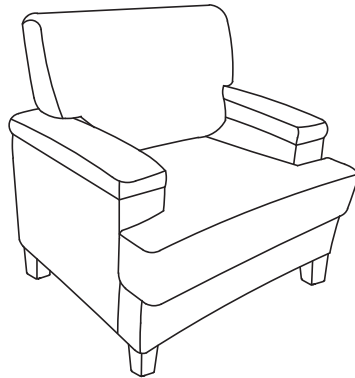
10



Place the backpack (H)

STEP

11



Installation Completed!

Please note: We offer comprehensive after-sales service. If you find any damage or are unsatisfied with your purchase, please contact us immediately! We will respond as quickly as possible!

**The installation is complete.
Make sure ALL the screws are fully tighten.**