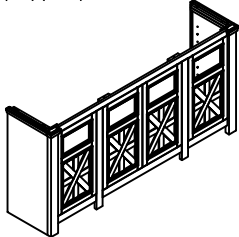
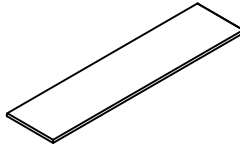
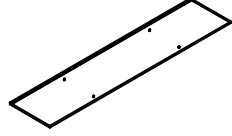
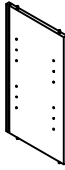
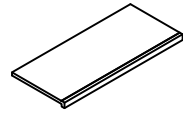
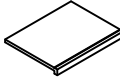
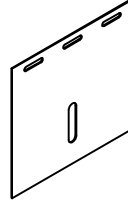
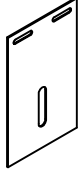
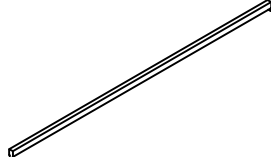
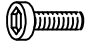








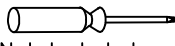
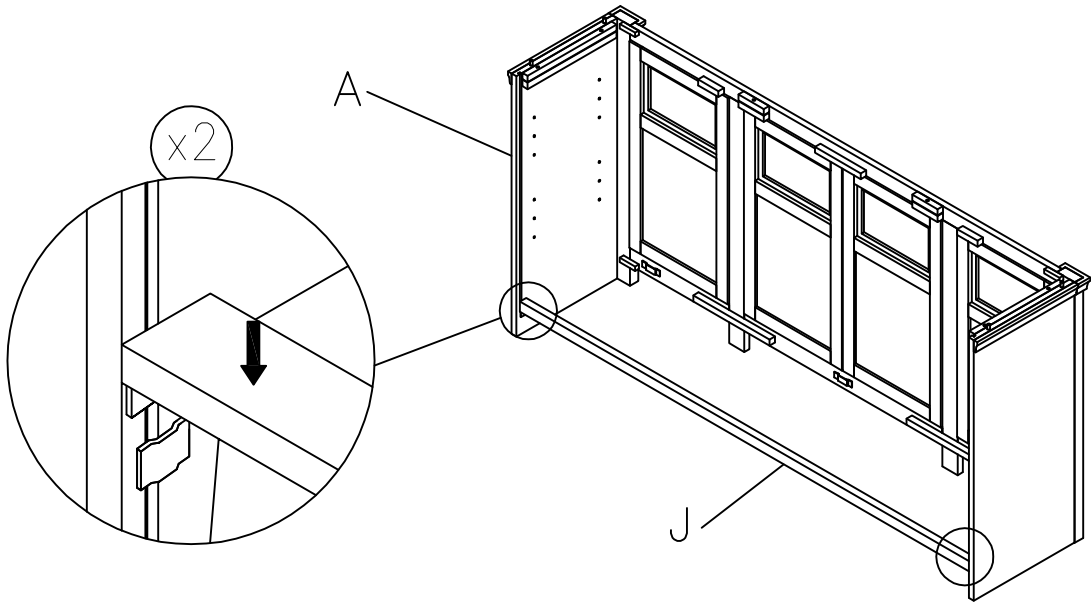


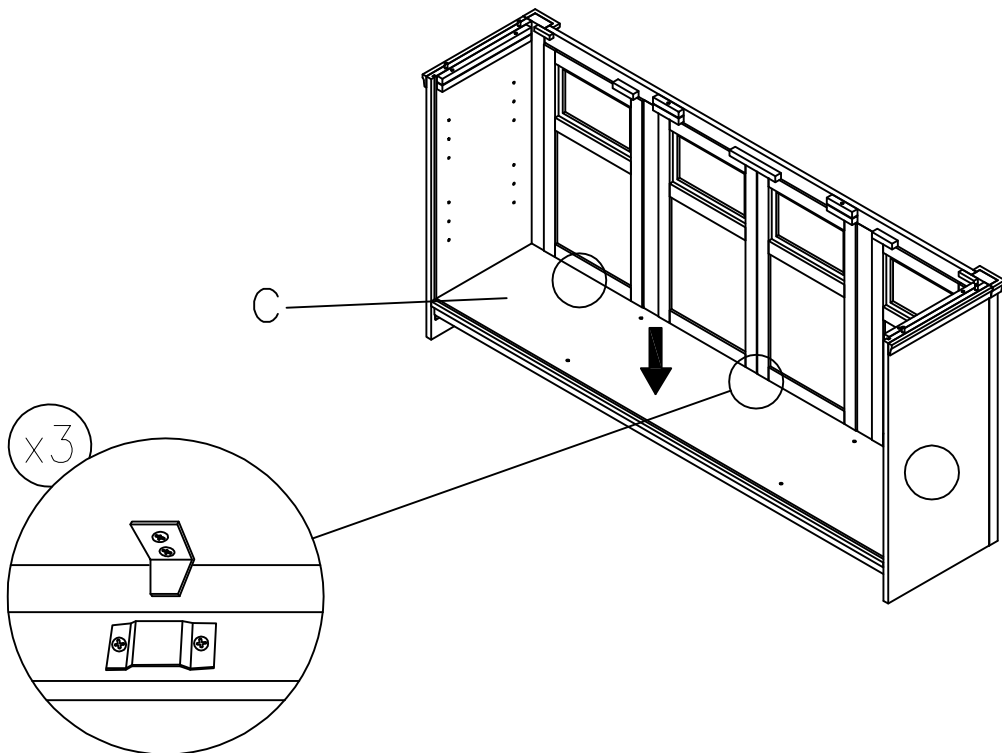
<p>A x 1</p> 	<p>B x 1</p> 	<p>C x 1</p> 	<p>D x 2</p> 
<p>E x 2</p> 	<p>F x 4</p> 	<p>G x 1</p> 	<p>H x 2</p> 
<p>J x 1</p> 	<p>K x 6</p>  <p>1/4" X38mm</p>	<p>L x 6</p> 	<p>M x 6</p> 
<p>N x 2</p> 	<p>P x 24</p> 	<p>Q x 1</p> 	<p>R x 4</p> 
<p>S x 4</p> 	<p>T x 1</p> 	<p>Not Included No Se Adjunta Non Inclus 不提供</p> 	

⚠ NOTE: UNIT SHOULD BE ASSEMBLED BY TWO OR MORE PEOPLE.
 DO NOT TIGHTEN ANY BOLTS UNTIL ALL BOLTS HAVE BEEN STARTED!

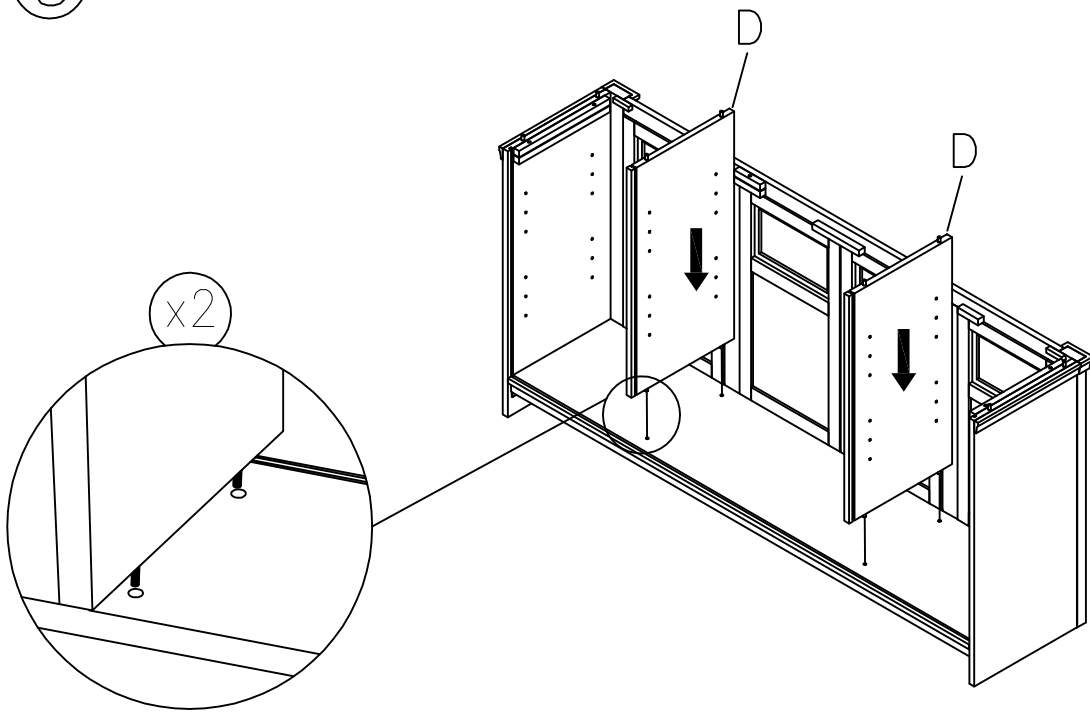
1



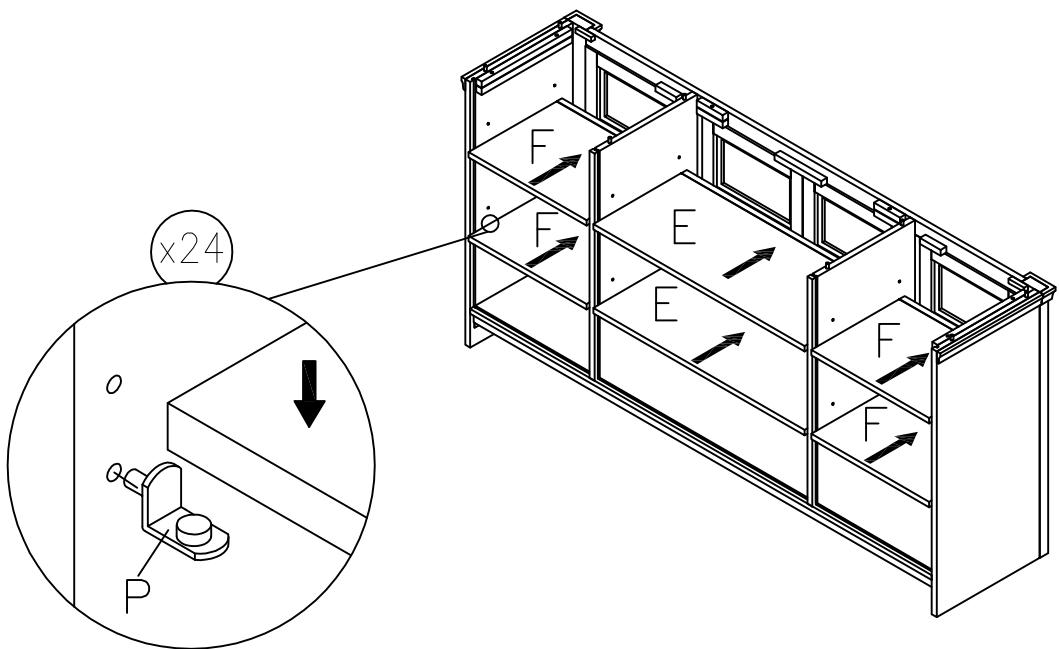
2



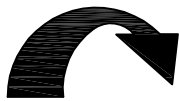
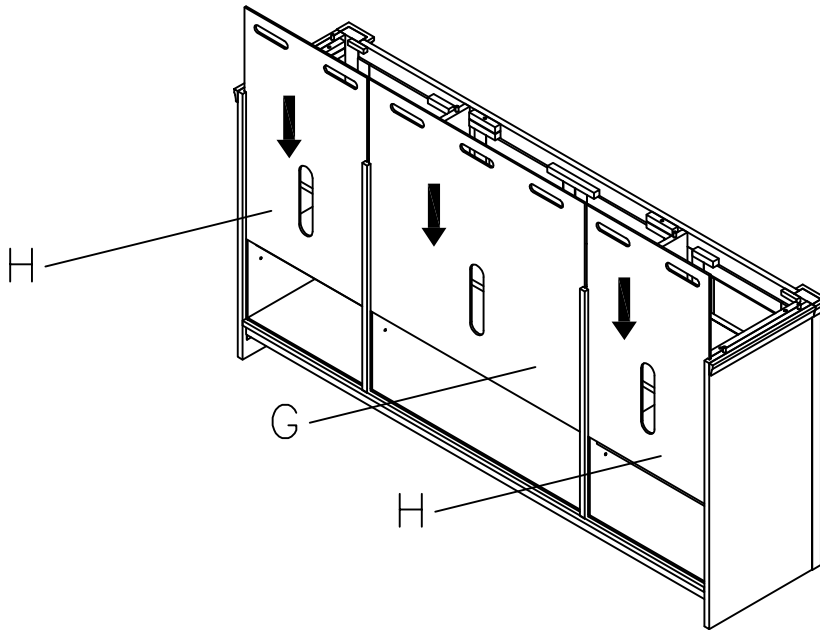
3



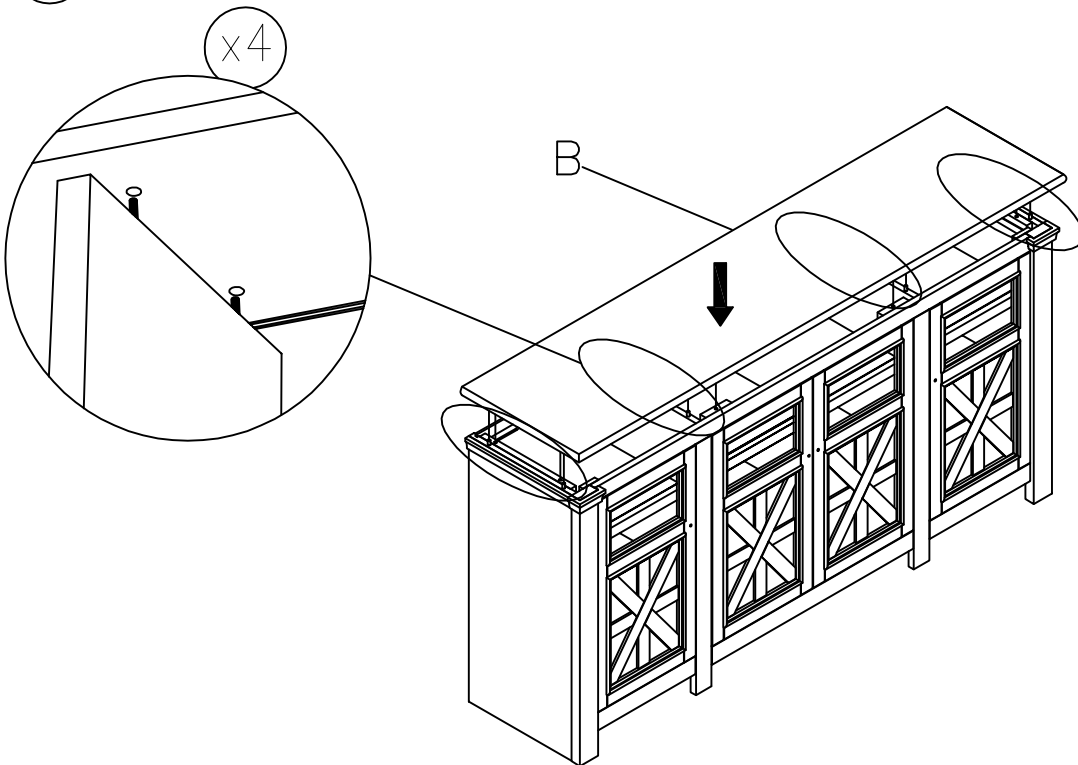
4



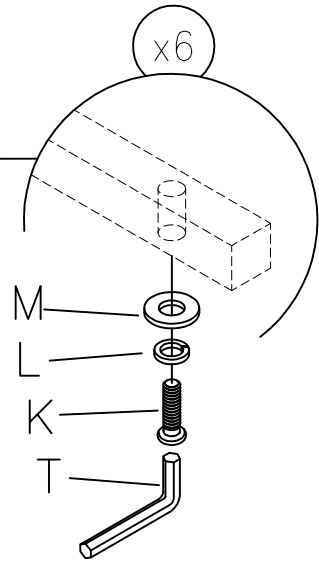
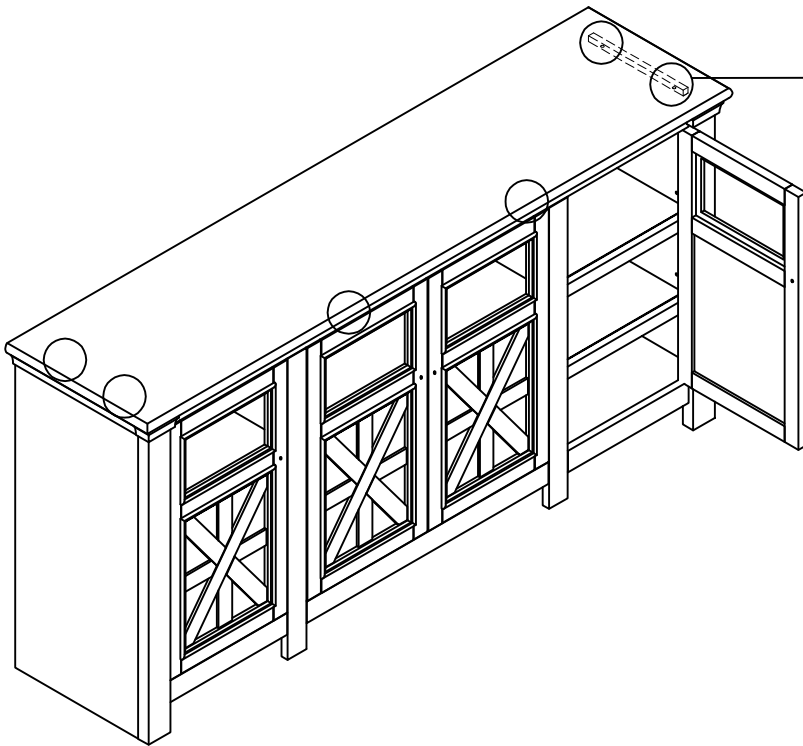
5



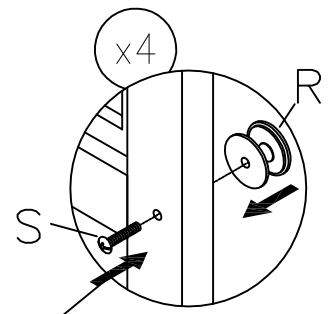
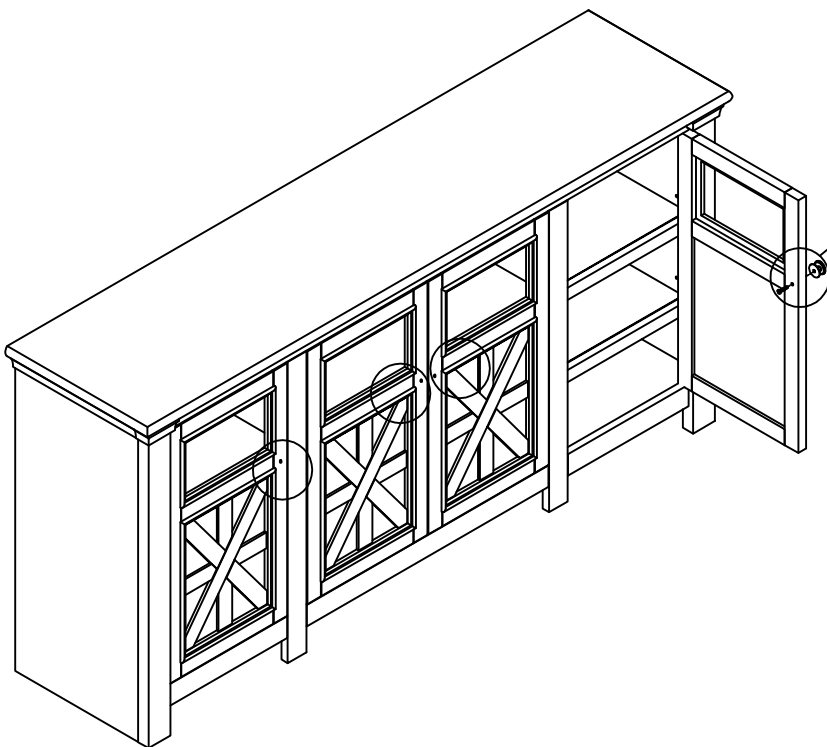
6



7



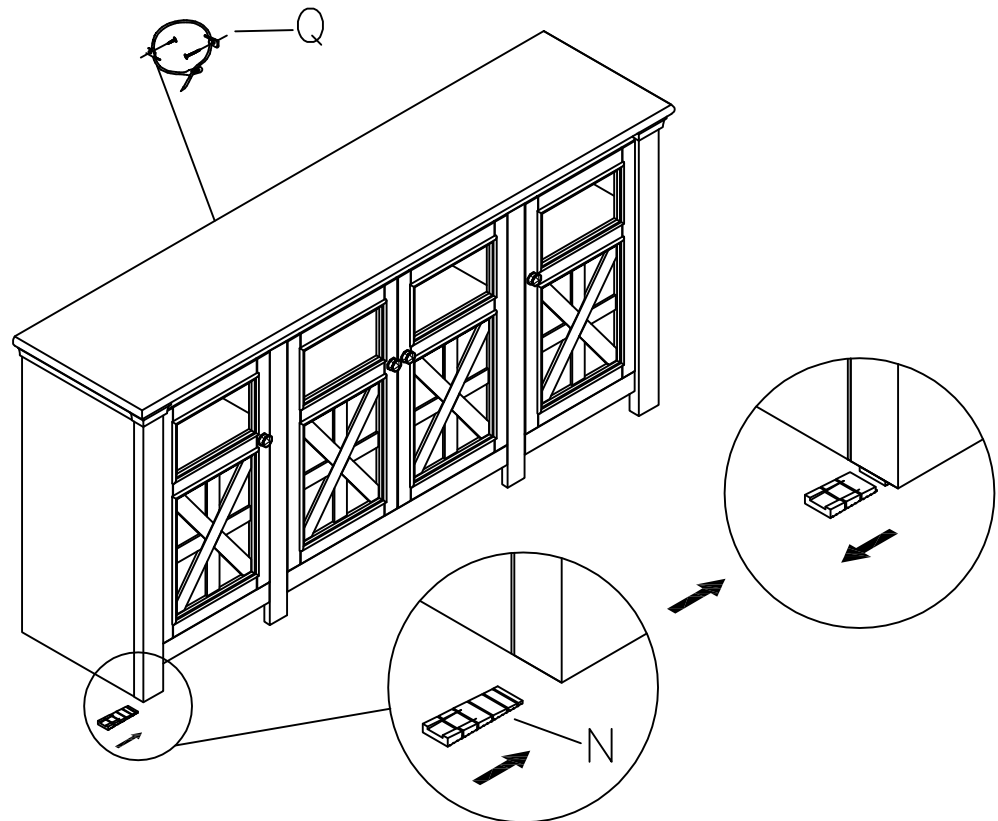
8



9

! WARNING !

The use of the included tipping restraint may reduce, but not eliminate, the risk of furniture tip over. Follow the instructions on the plastic bag for proper installation.



NOTE: IF THE UNIT IS PLACED ON AN UNLEVEL SURFACE, PLACE A LEVELER UNDERNEATH ONE FOOT UNTIL THE UNIT IS LEVEL. BREAK OFF ANY PROTRUDING SEGMENTS.