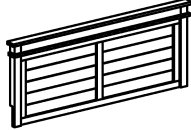



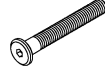





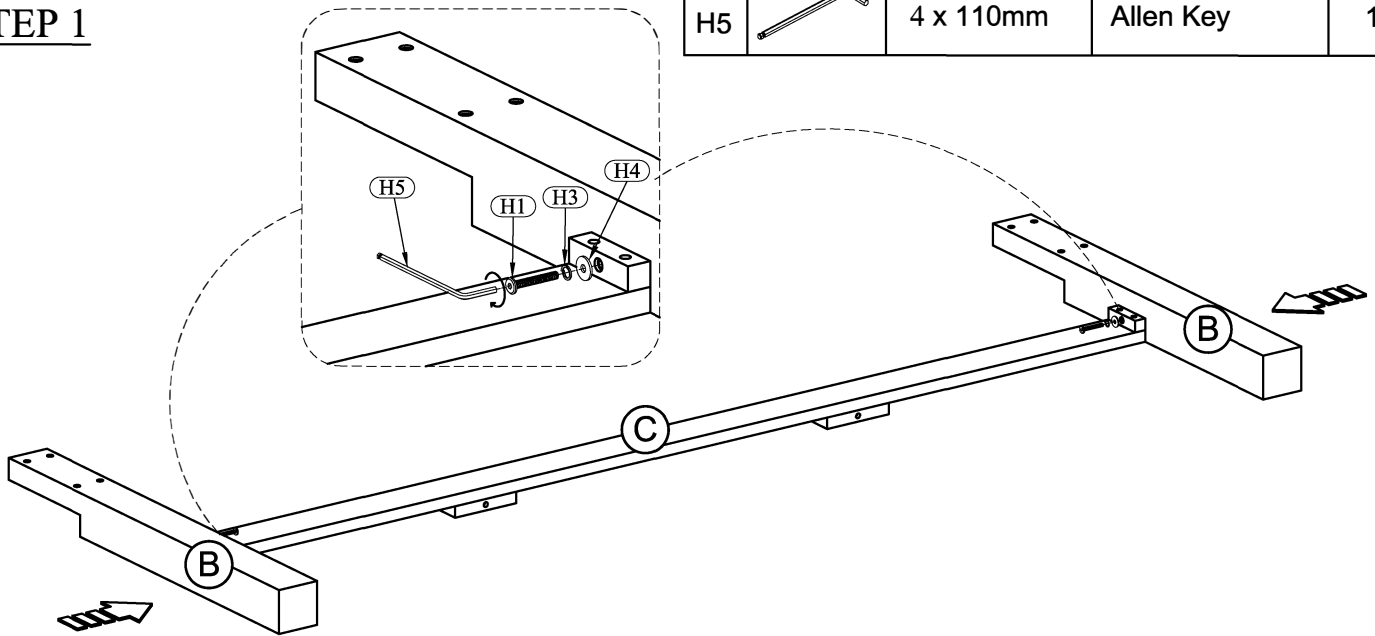
ASSEMBLY INSTRUCTIONS

KING HEADBOARD (GREYSTONE)

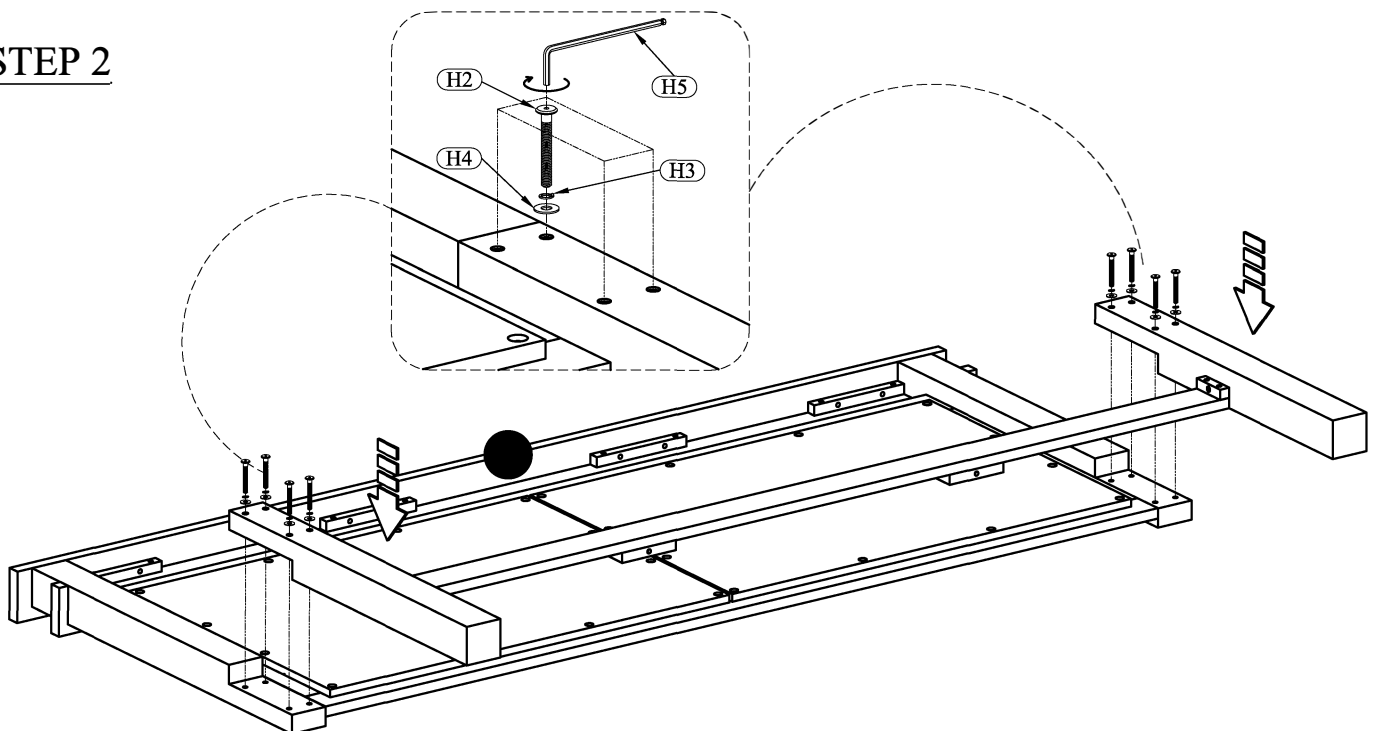
NO	PARTS LIST	Q' TY
A	 Headboard	1
B	 KD Leg	2
C	 Headboard Bottom Rail	1

NO	PARTS LIST		Q' TY
H1	 Ø6 x 40mm	Allen Head Bolt	2
H2	 Ø8 x 60mm	Allen Head Bolt	8
H3	 Ø9 x Ø13mm	Lock Washer	10
H4	 Ø8 x Ø20mm	Flat Washer	10
H5	 4 x 110mm	Allen Key	1

STEP 1



STEP 2



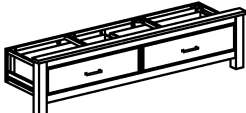
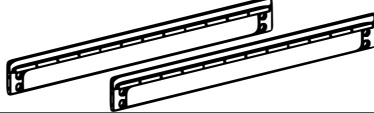

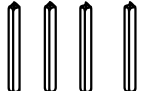
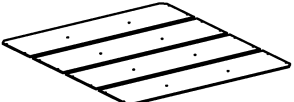
ASSEMBLY INSTRUCTIONS

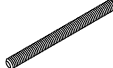





KING HEADBOARD (GREYSTONE)

KING STORAGE FOOTBOARD (GREYSTONE)

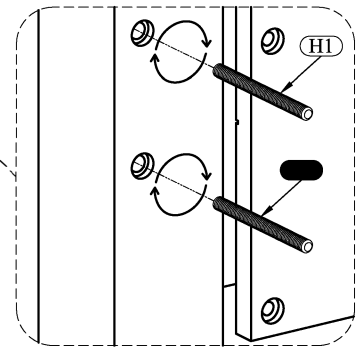
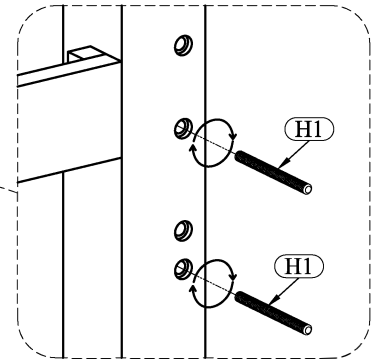
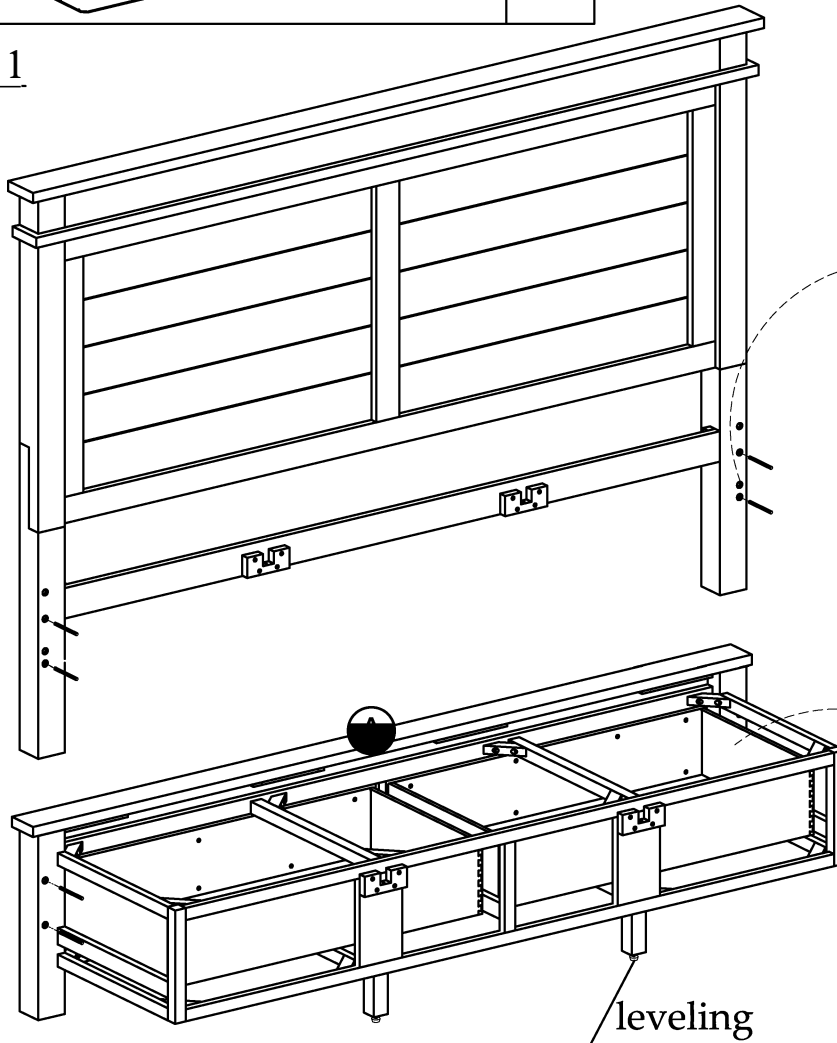
QN/EK RAILS W/SUPPORTS FOR STORAGE BED (GREYSTONE)

KING PLATFORM (GREYSTONE)

NO	PARTS LIST	Q' TY
A	 Footboard	1
B	 Bed Rail	2
C	 Center Support	2
D	 Center	4
E	 Mattress Platform	4

NO	PARTS LIST	Q' TY
H1	 Ø8 x 90mm Long Bolt	8
H2	 M8 Hexagon	8
H3	 Ø10 x Ø15mm Lock Washer	8
H4	 Ø8 x 16mm Arc Washer	8
H5	 Scale 13 Wrench	1
H6	 Ø4 x 25mm Screw	28

STEP 1



leveling

Note: Use the second and fourth holes from the top only to connect storage footboard to the headboard

ASSEMBLY INSTRUCTIONS

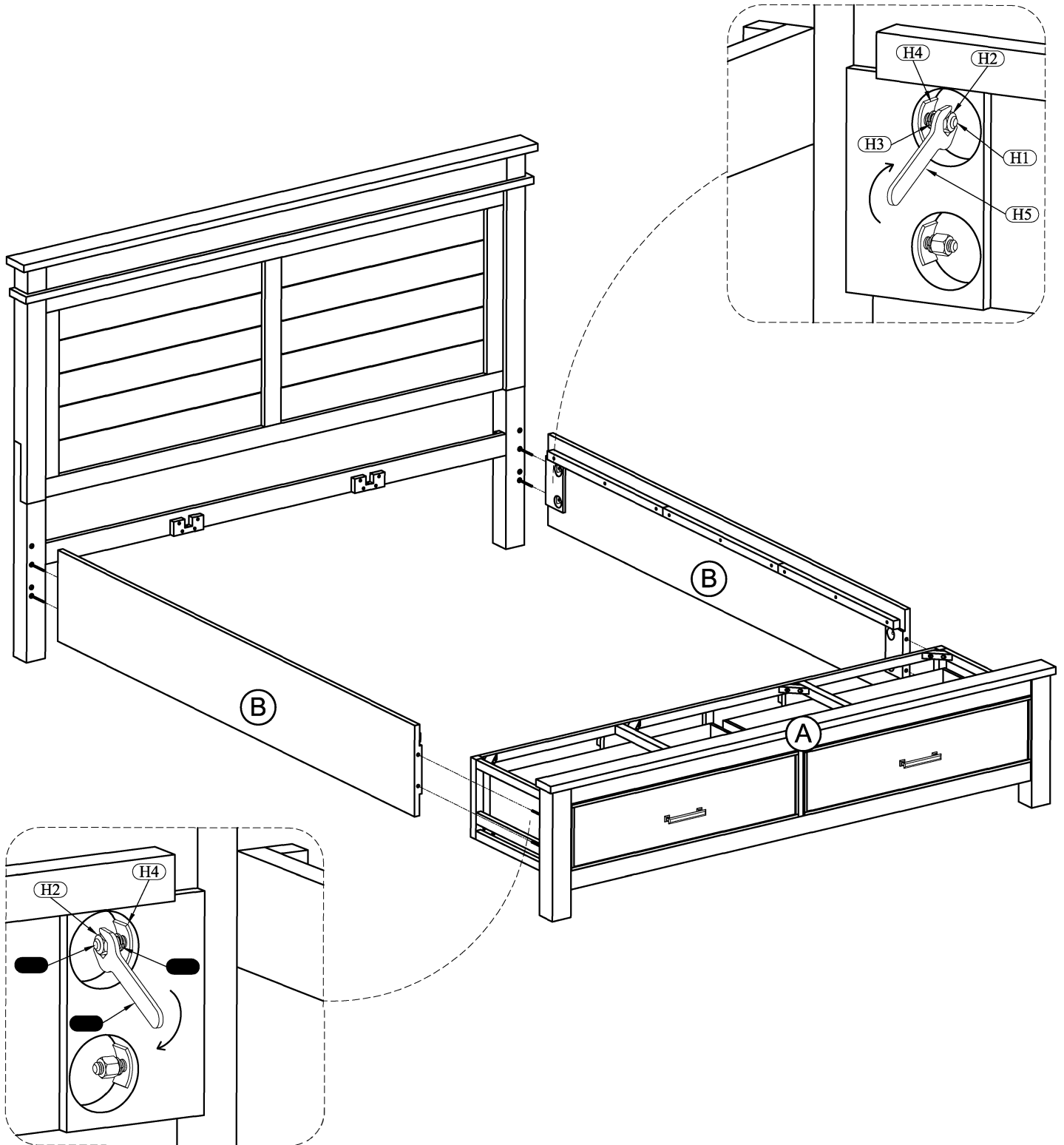
KING HEADBOARD (GREYSTONE)

KING STORAGE FOOTBOARD (GREYSTONE)

QN/EK RAILS W/SUPPORTS FOR STORAGE BED (GREYSTONE)

KING PLATFORM (GREYSTONE)

STEP 2



ASSEMBLY INSTRUCTIONS

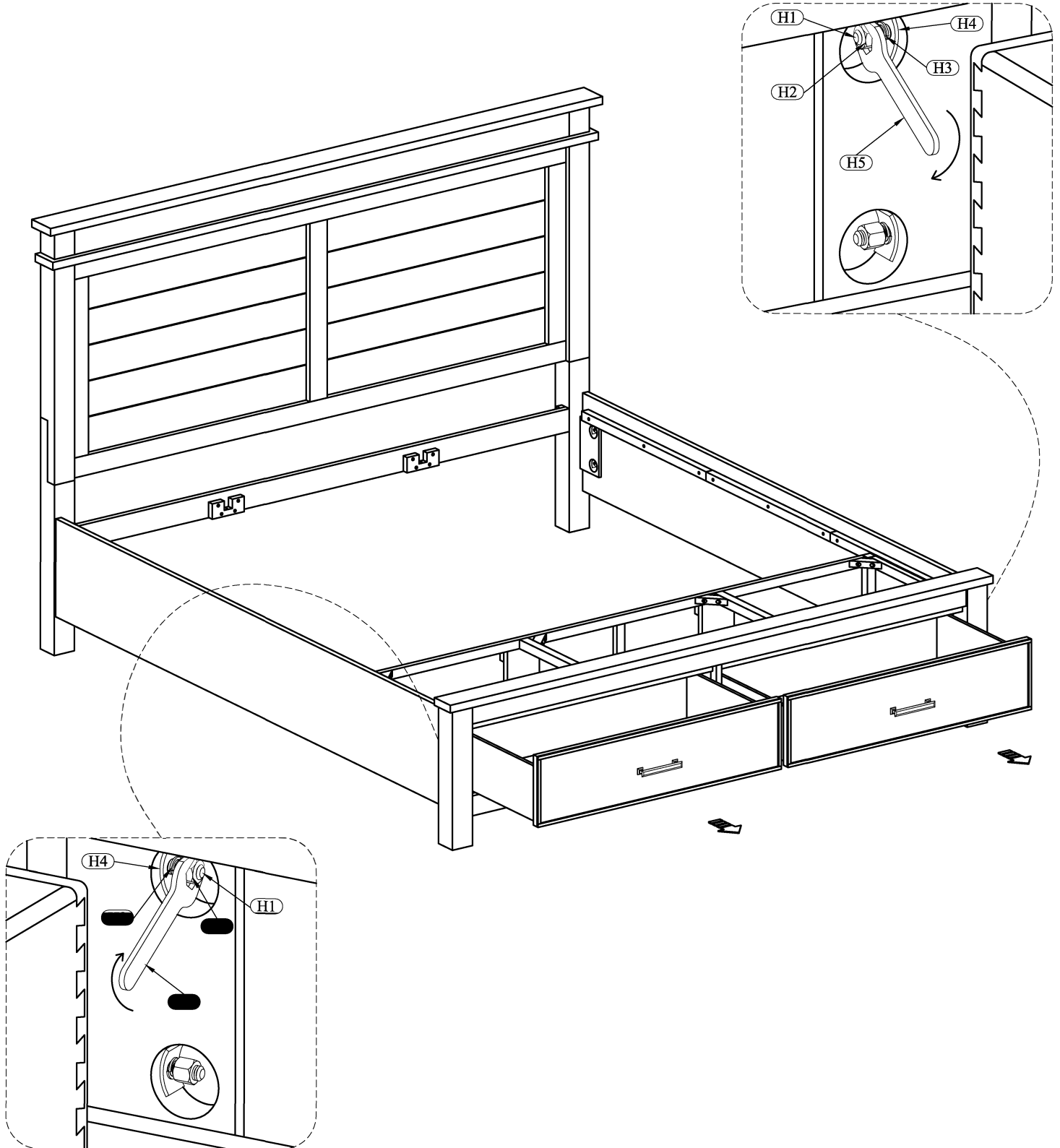
KING HEADBOARD (GREYSTONE)

KING STORAGE FOOTBOARD (GREYSTONE)

QN/EK RAILS W/SUPPORTS FOR STORAGE BED (GREYSTONE)

KING PLATFORM (GREYSTONE)

STEP 3



ASSEMBLY INSTRUCTIONS

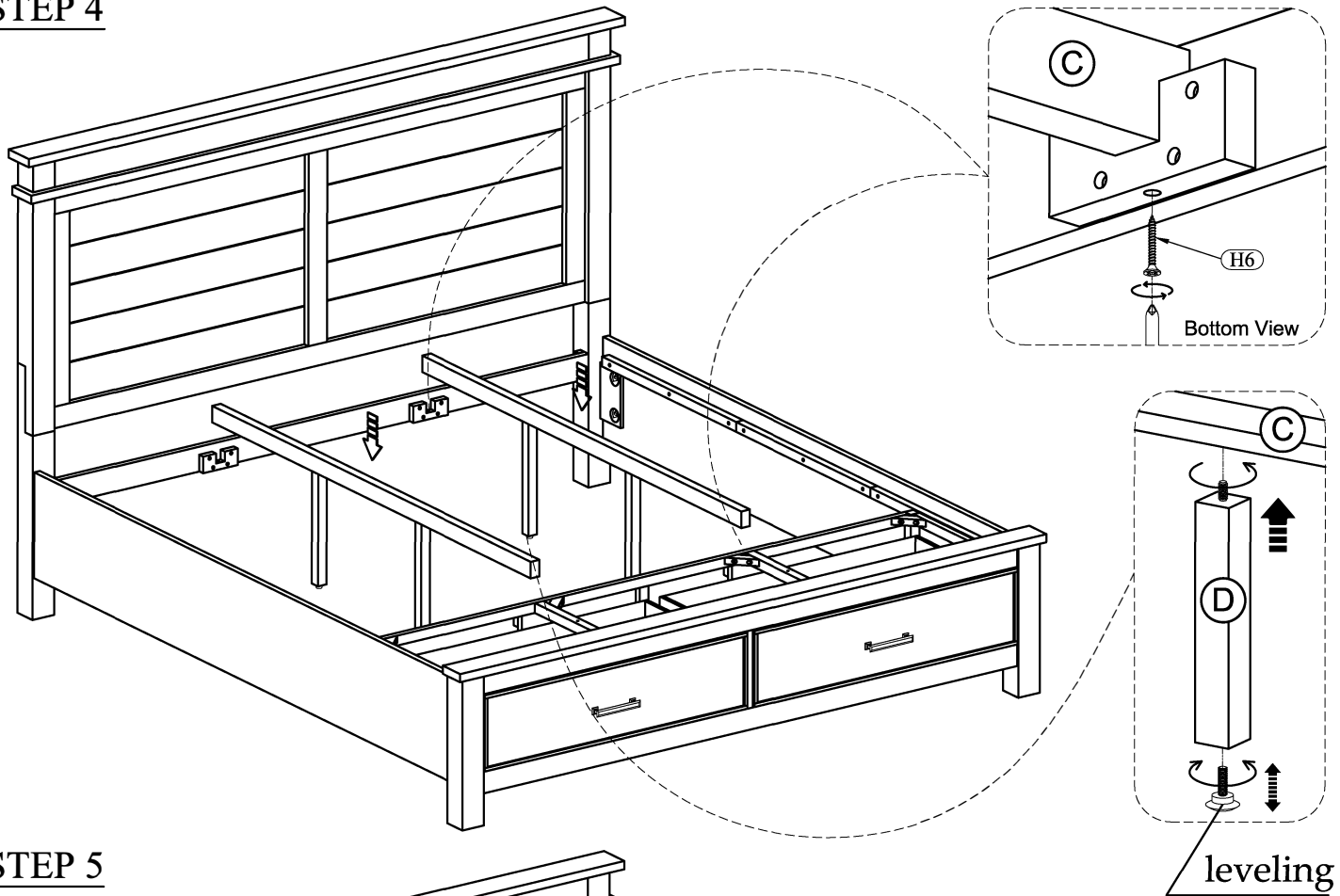
KING HEADBOARD (GREYSTONE)

KING STORAGE FOOTBOARD (GREYSTONE)

QN/EK RAILS W/SUPPORTS FOR STORAGE BED (GREYSTONE)

KING PLATFORM (GREYSTONE)

STEP 4



STEP 5

