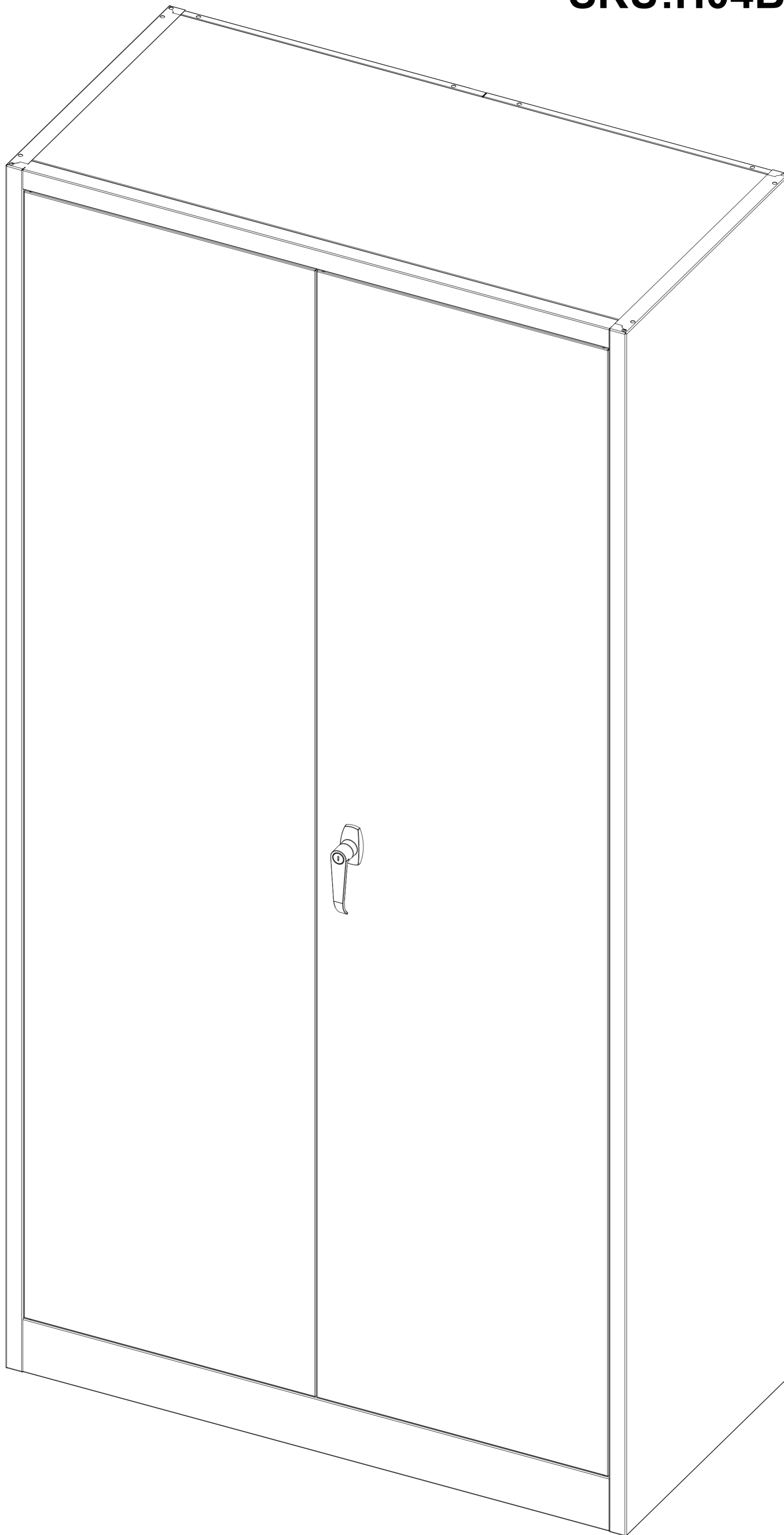


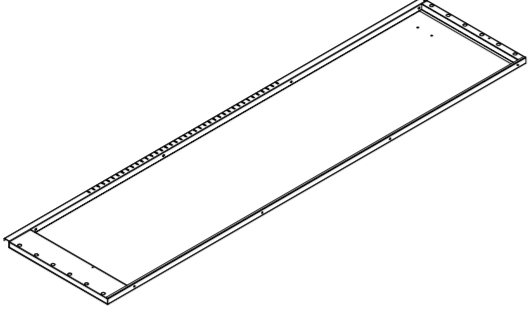
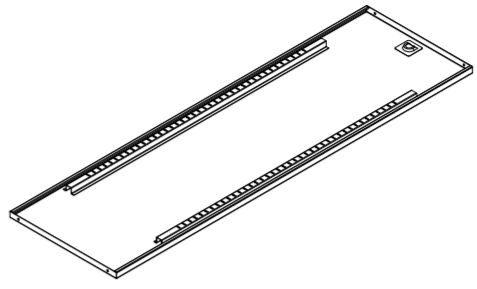
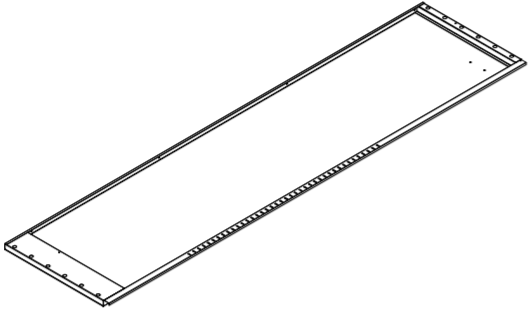
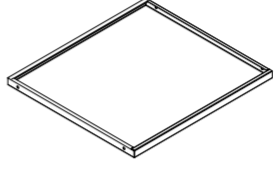
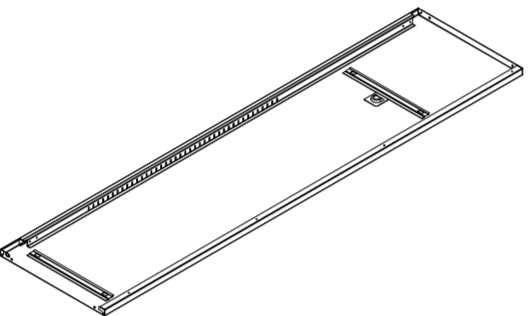
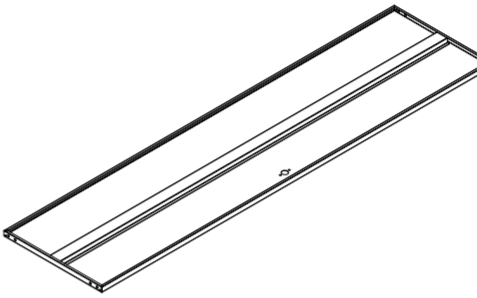
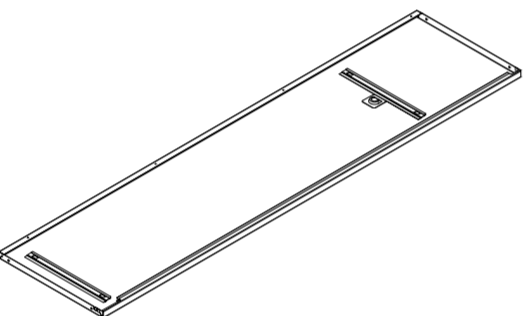
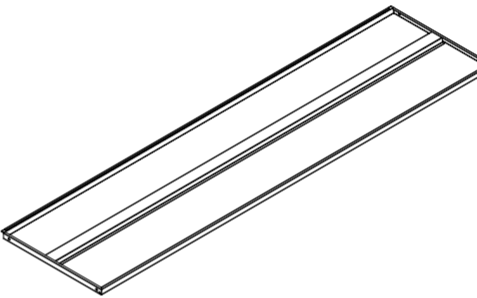
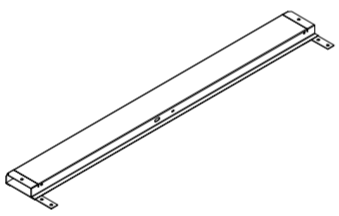
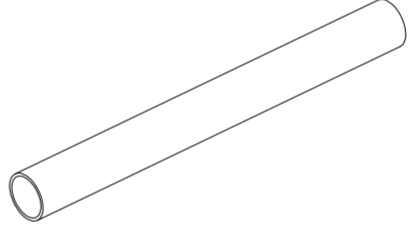
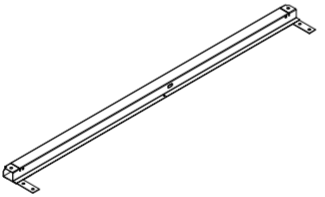
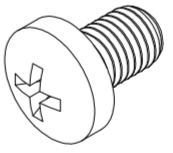
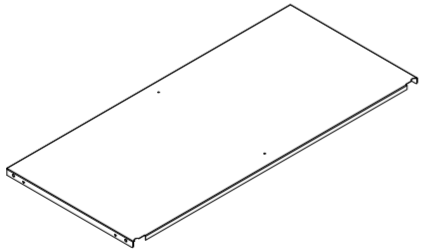
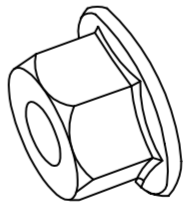
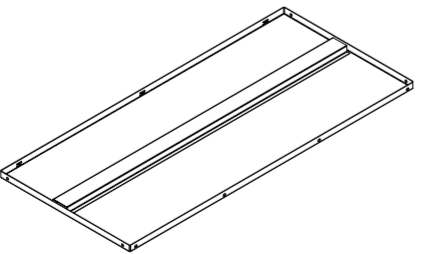
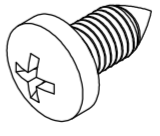
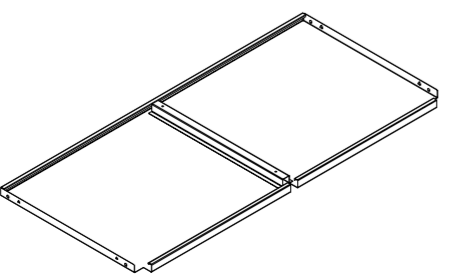
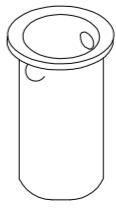
**SKU:H04WN605 SKU:H04BN606 SKU:H04GN607**

**SKU:H04GG608 SKU:H04DG609 SKU:H04WN610**

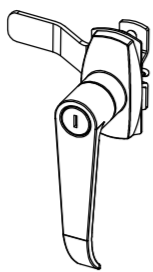

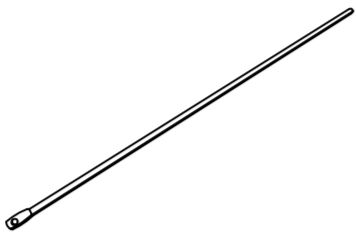
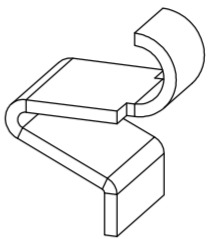
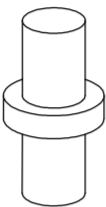
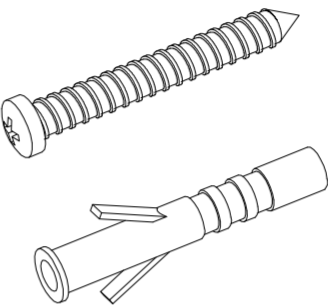
**SKU:H04BN611**



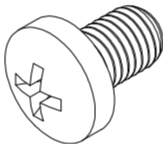
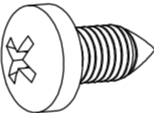
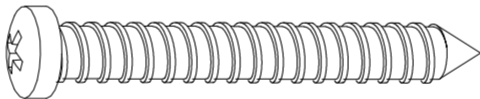
## PARTS LIST

Name		Part	Qty.	Spare	Name		Part	Qty.	Spare
<b>A</b>	Left Back Panel		<b>1</b>		<b>J</b>	Vertical bulkhead		<b>1</b>	
<b>B</b>	Right Back Panel		<b>1</b>		<b>K</b>	Shelves		<b>3</b>	
<b>C</b>	Left Side		<b>1</b>		<b>L</b>	Right Door		<b>1</b>	
<b>D</b>	Right Side		<b>1</b>		<b>M</b>	Left Door		<b>1</b>	
<b>E</b>	Kick Plate		<b>1</b>		<b>N</b>	Clothes Pole		<b>1</b>	
<b>F</b>	Top Rail		<b>1</b>		<b>O</b>	Screw		<b>4</b>	
<b>G</b>	Bottom Panel		<b>1</b>		<b>P</b>	Nut		<b>4</b>	
<b>H</b>	Top Panel		<b>1</b>		<b>Q</b>	13/32" Screw		<b>26</b>	<b>2</b>
<b>I</b>	Upper partition		<b>1</b>		<b>R</b>	Plastic Rod		<b>2</b>	

# PARTS LIST

<b>S</b>	Lock		<b>1</b>	<b>V</b>	Shim		<b>4</b>	
<b>T</b>	Rod		<b>2</b>	<b>w</b>	Shelf Support		<b>12</b>	<b>1</b>
<b>U</b>	Door Pivot Pin		<b>2</b>	<b>x</b>	Expansion bolt		<b>2</b>	

## SIZE COMPARISON CHART

<b>O</b>	Screw	
<b>Q</b>	13/32" Screw	
<b>X</b>	1-3/16" Wall Anchor Screw	



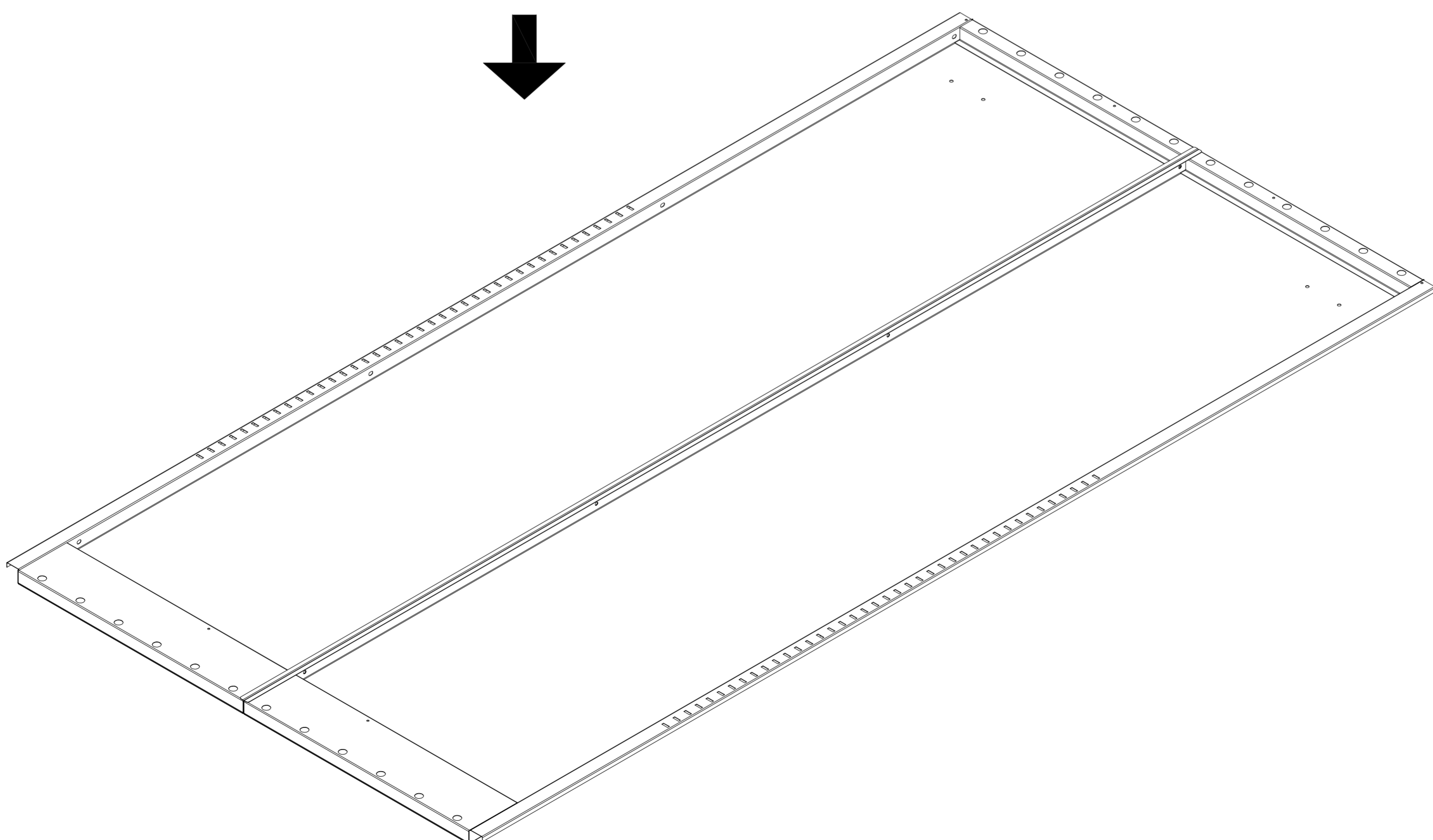
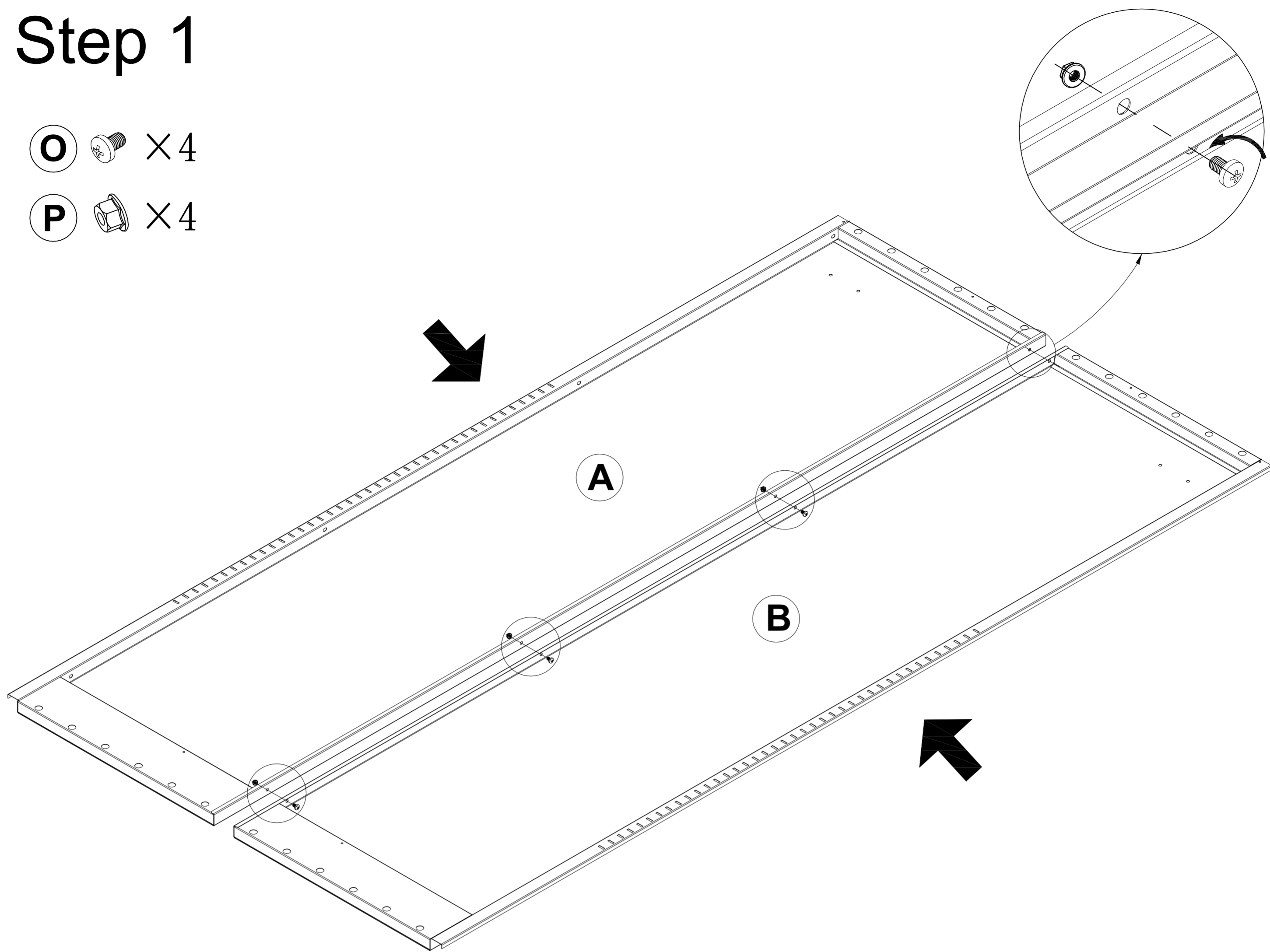
# CAUTION

**An assistant is required.**


# Step 1

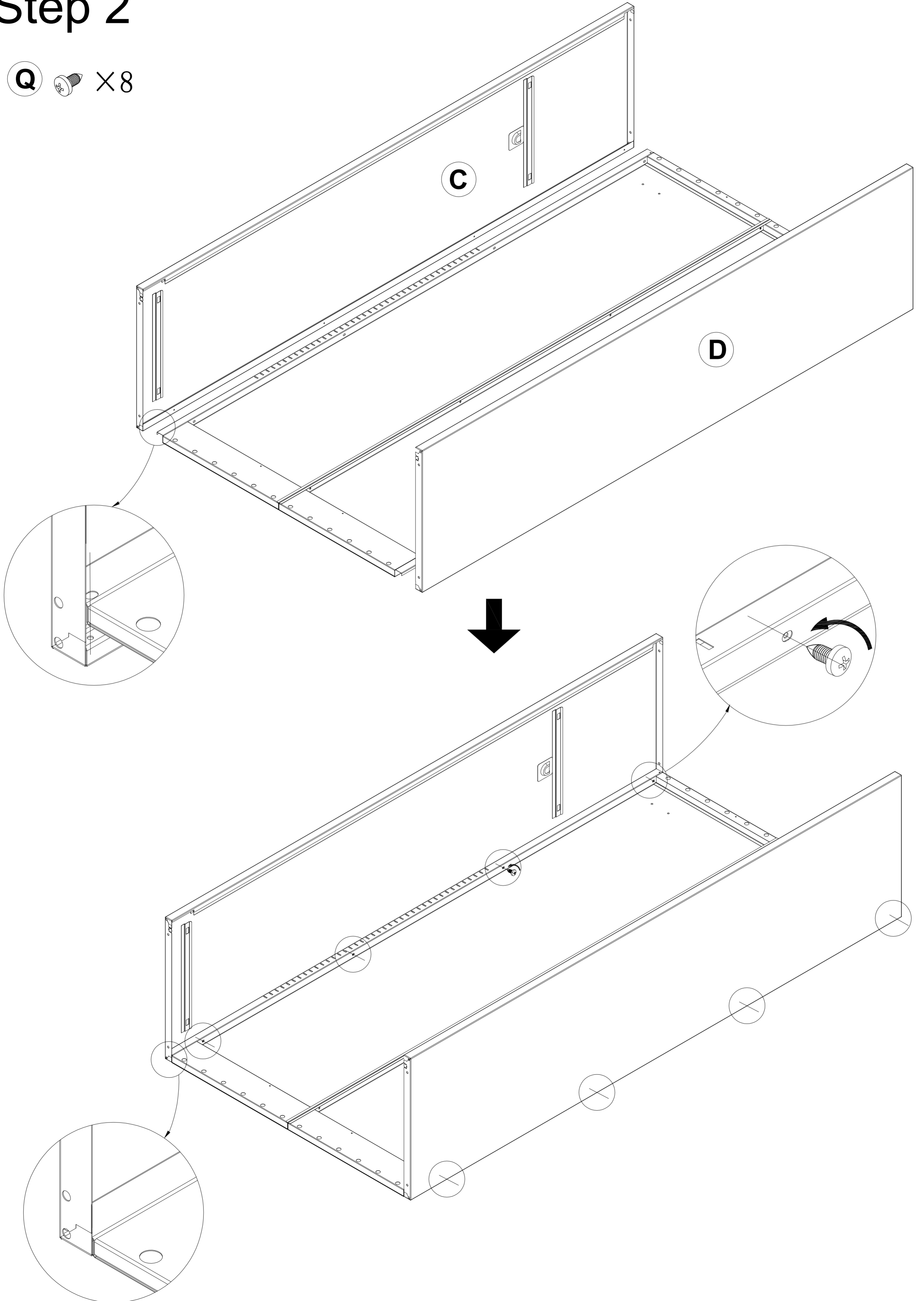
○ O × 4

○ P × 4



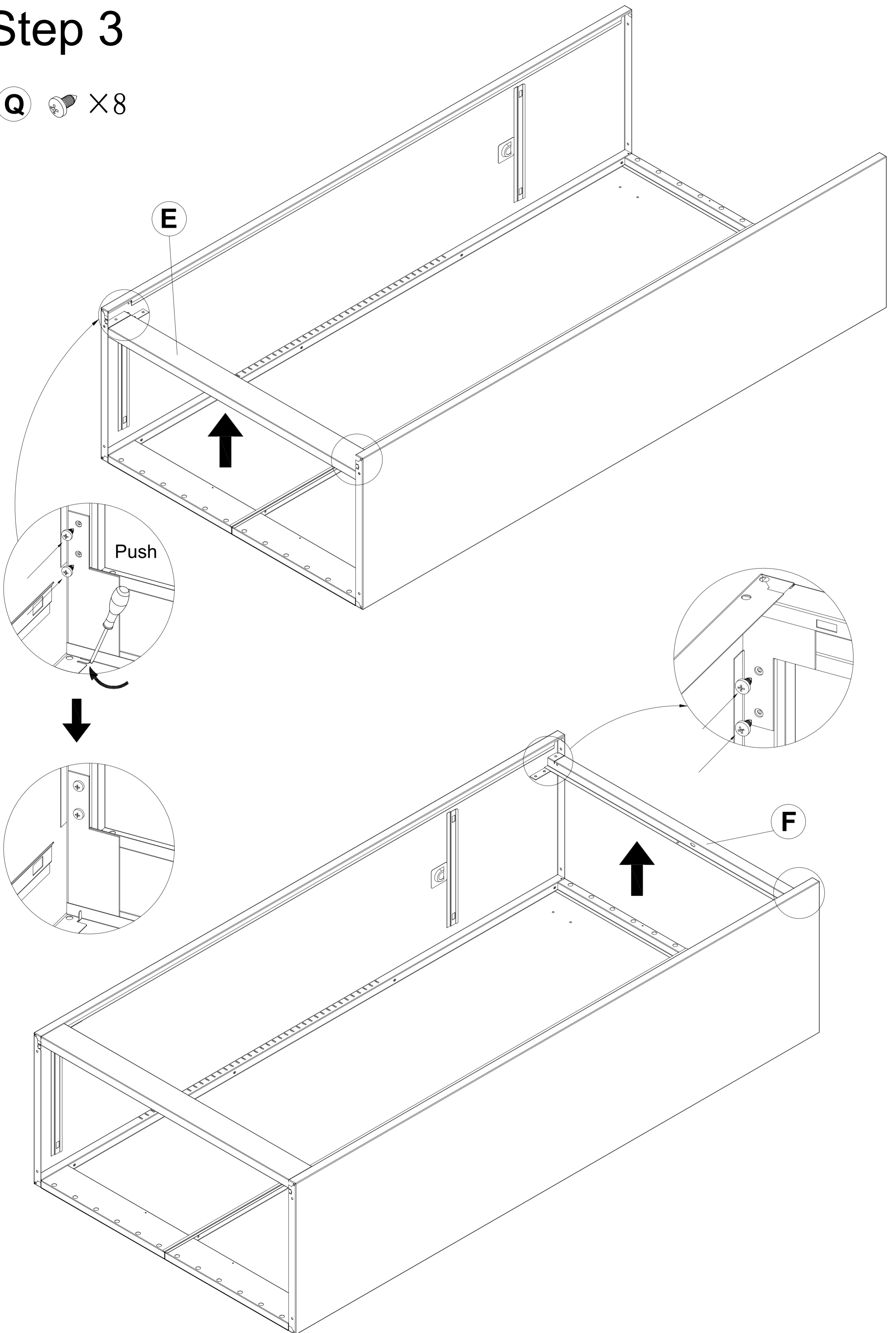
# Step 2

Q  X8

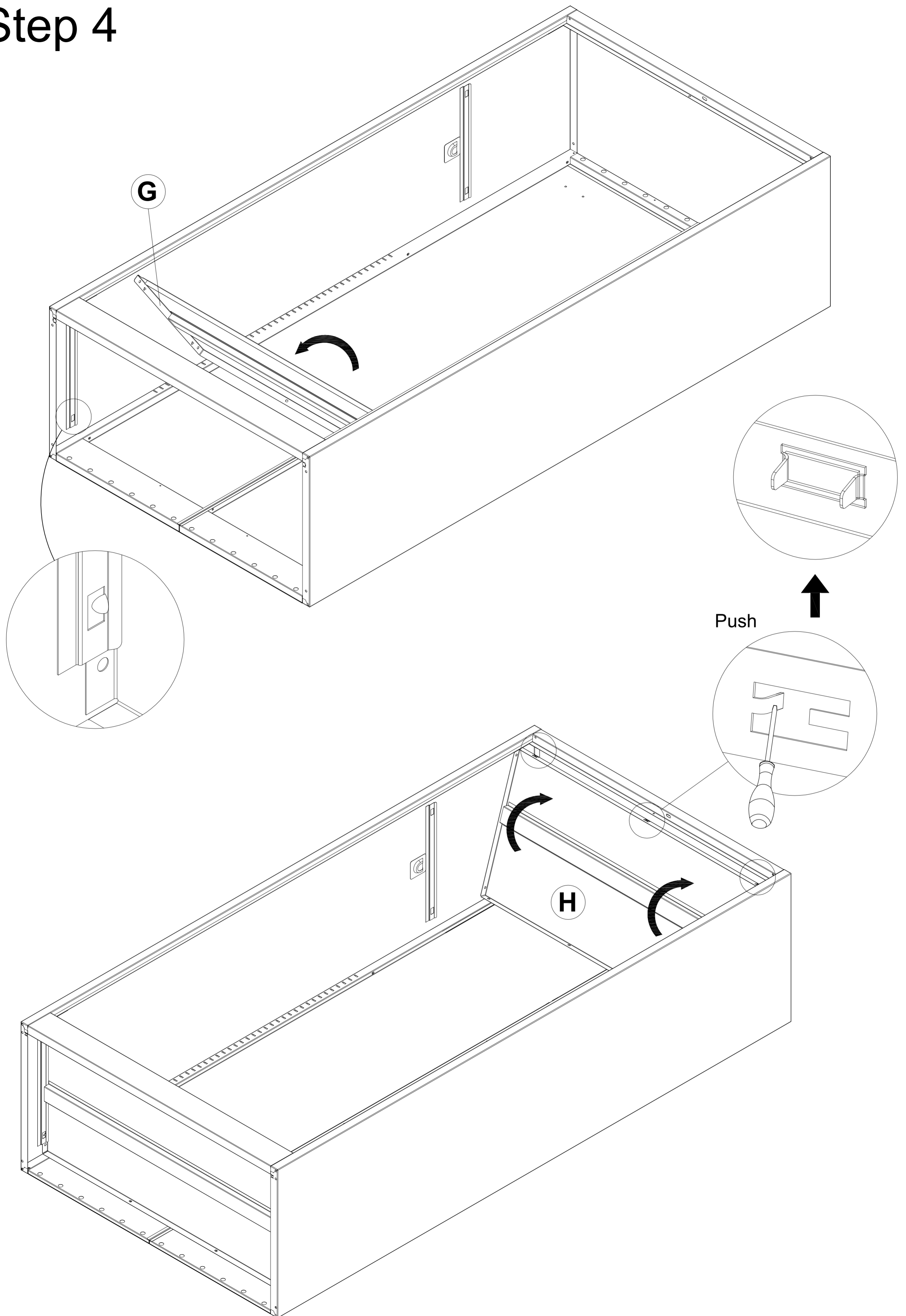


# Step 3

Q  X8

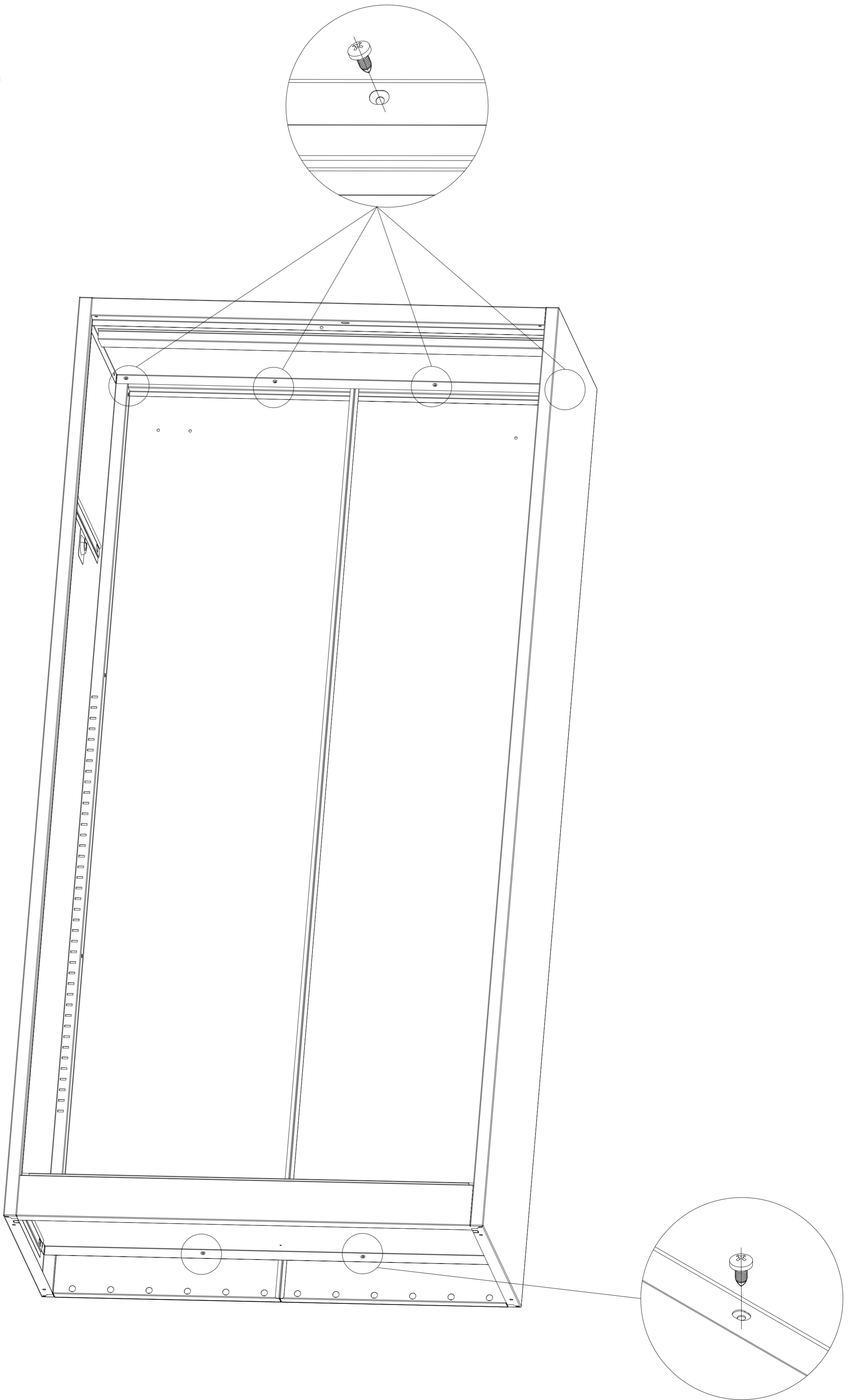


# Step 4

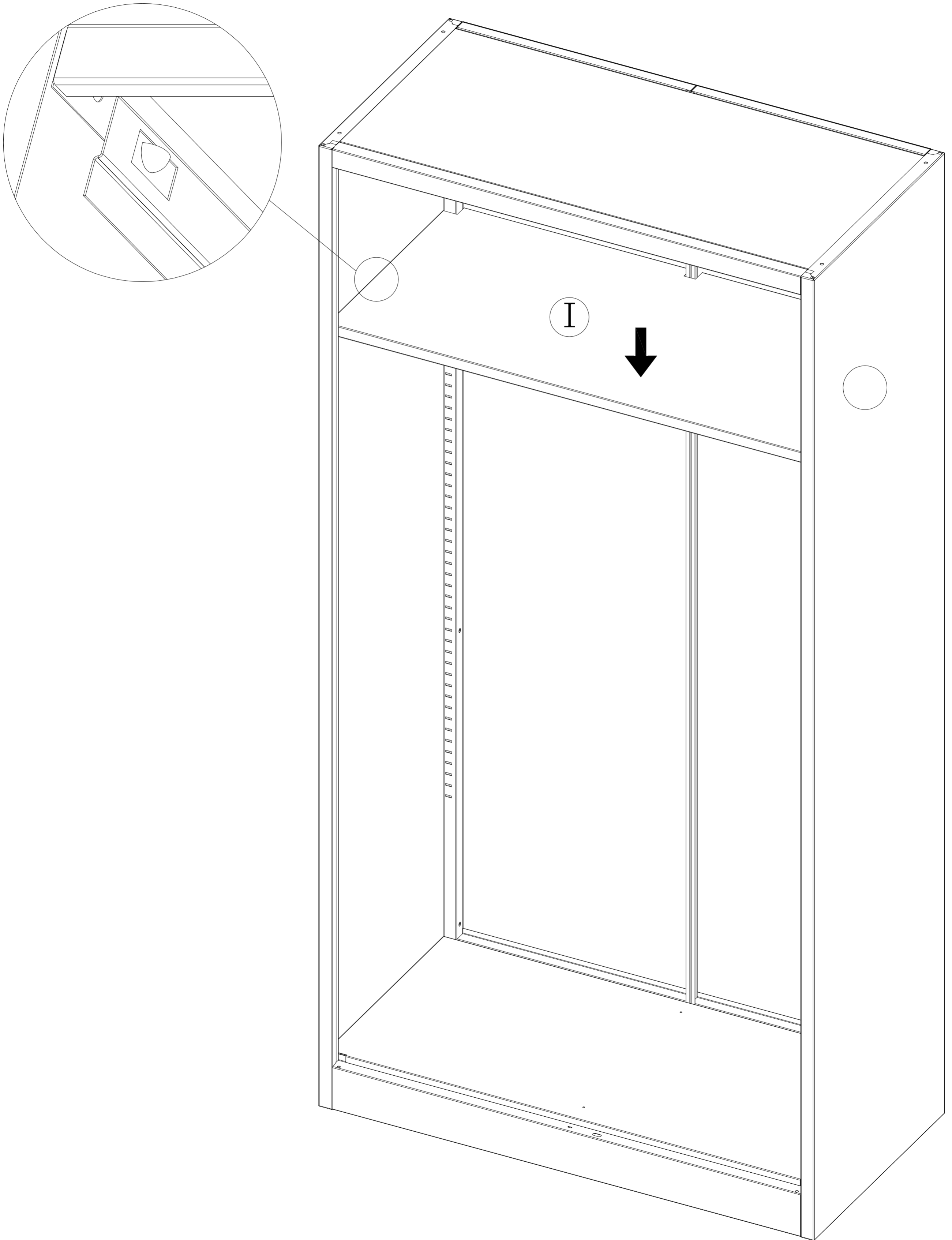


# Step 5

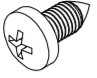
Q  X6

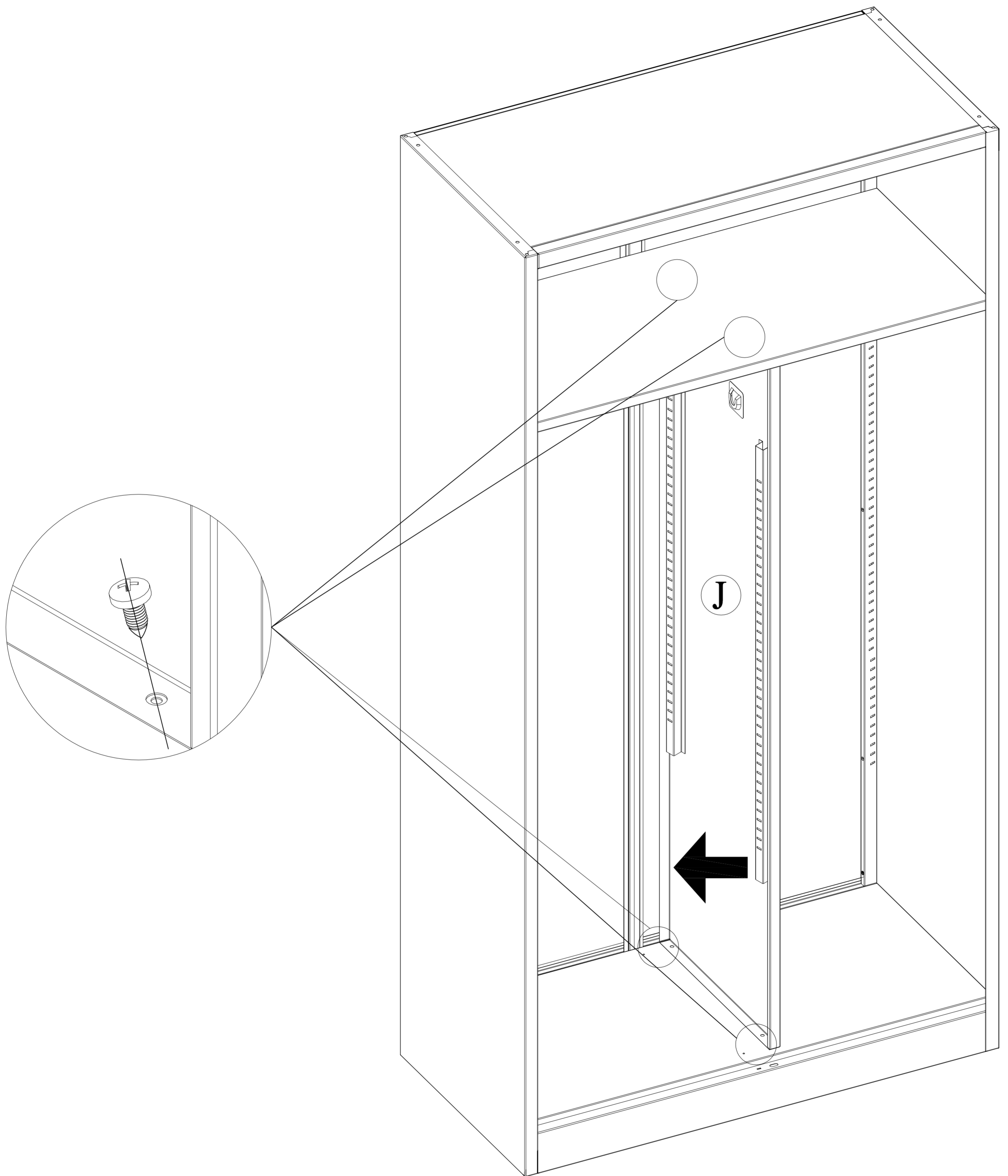


# Step 6

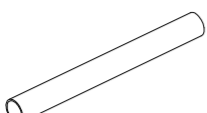


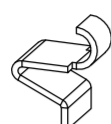
# Step 7

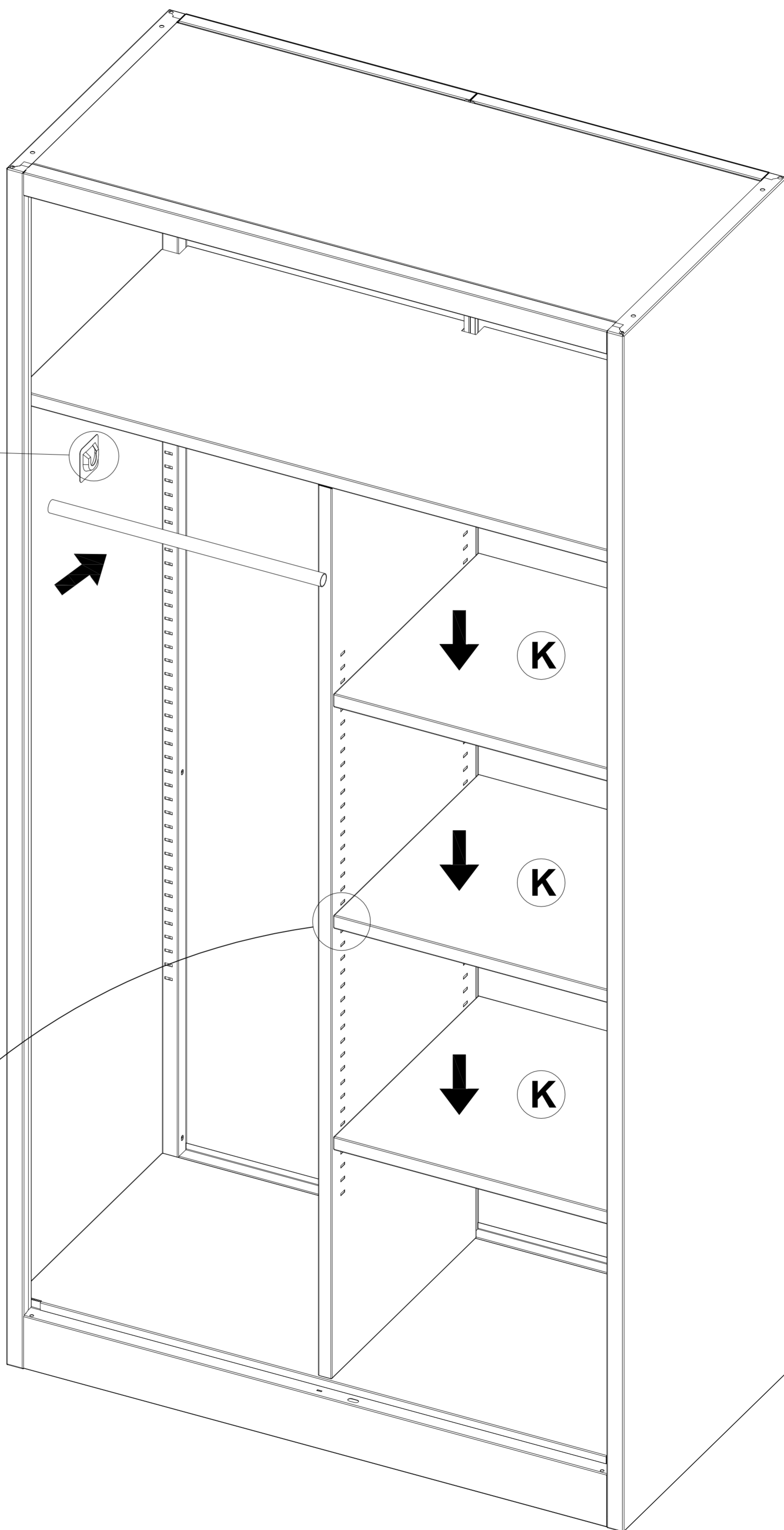
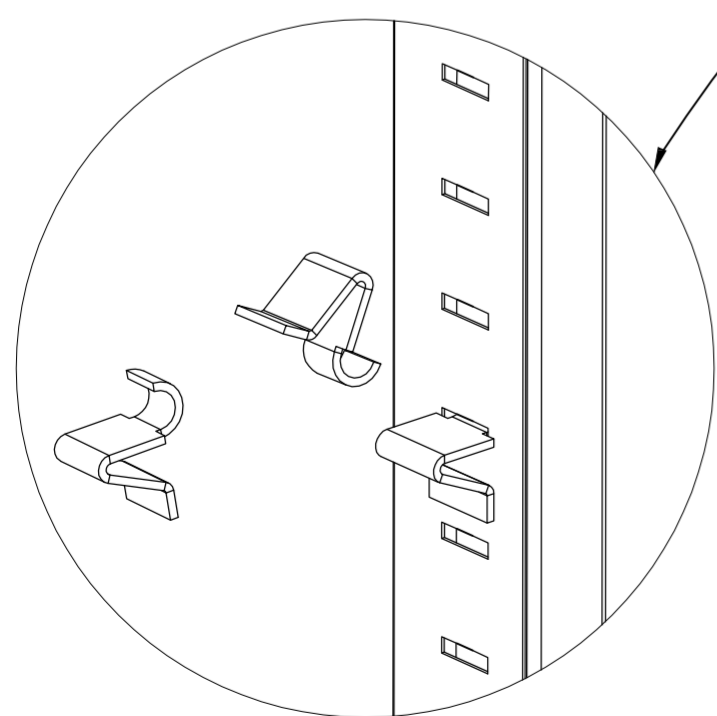
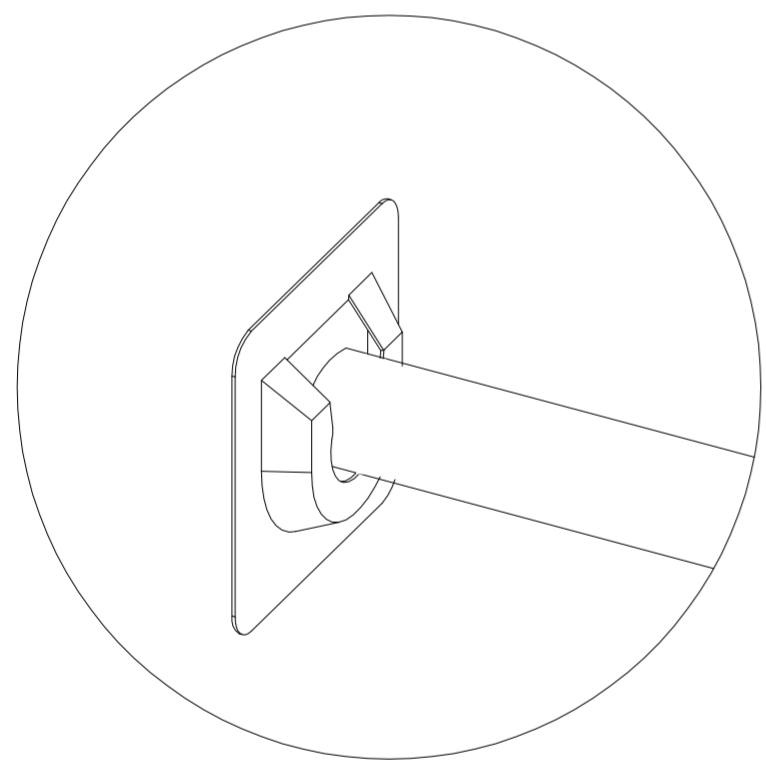
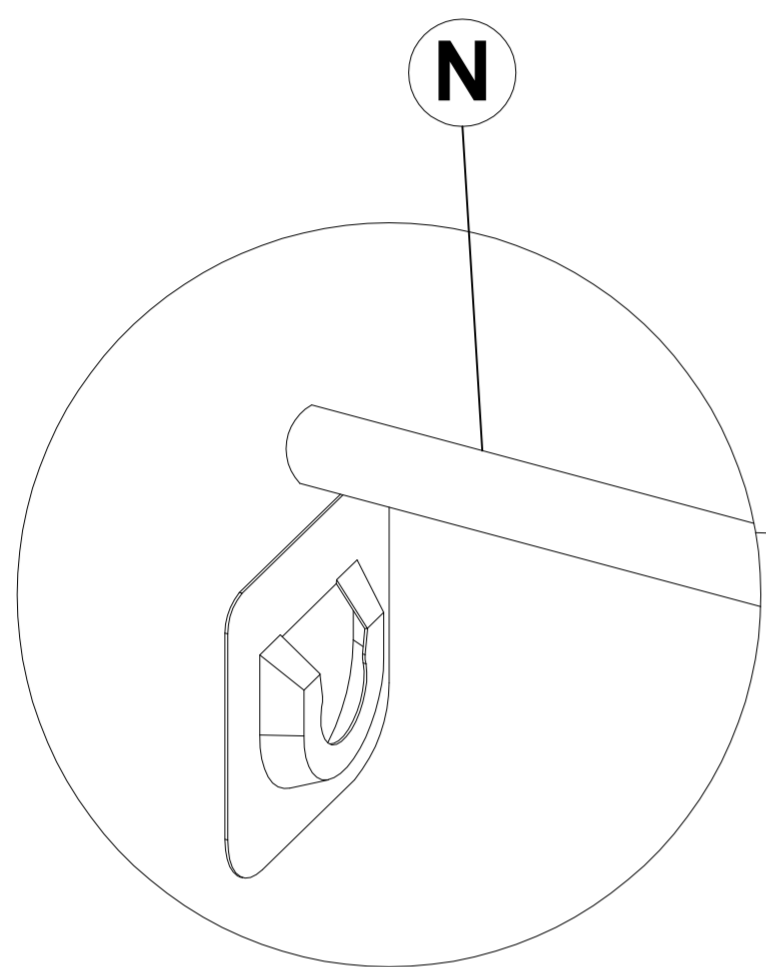
Q  X4



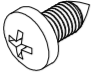
# Step 8

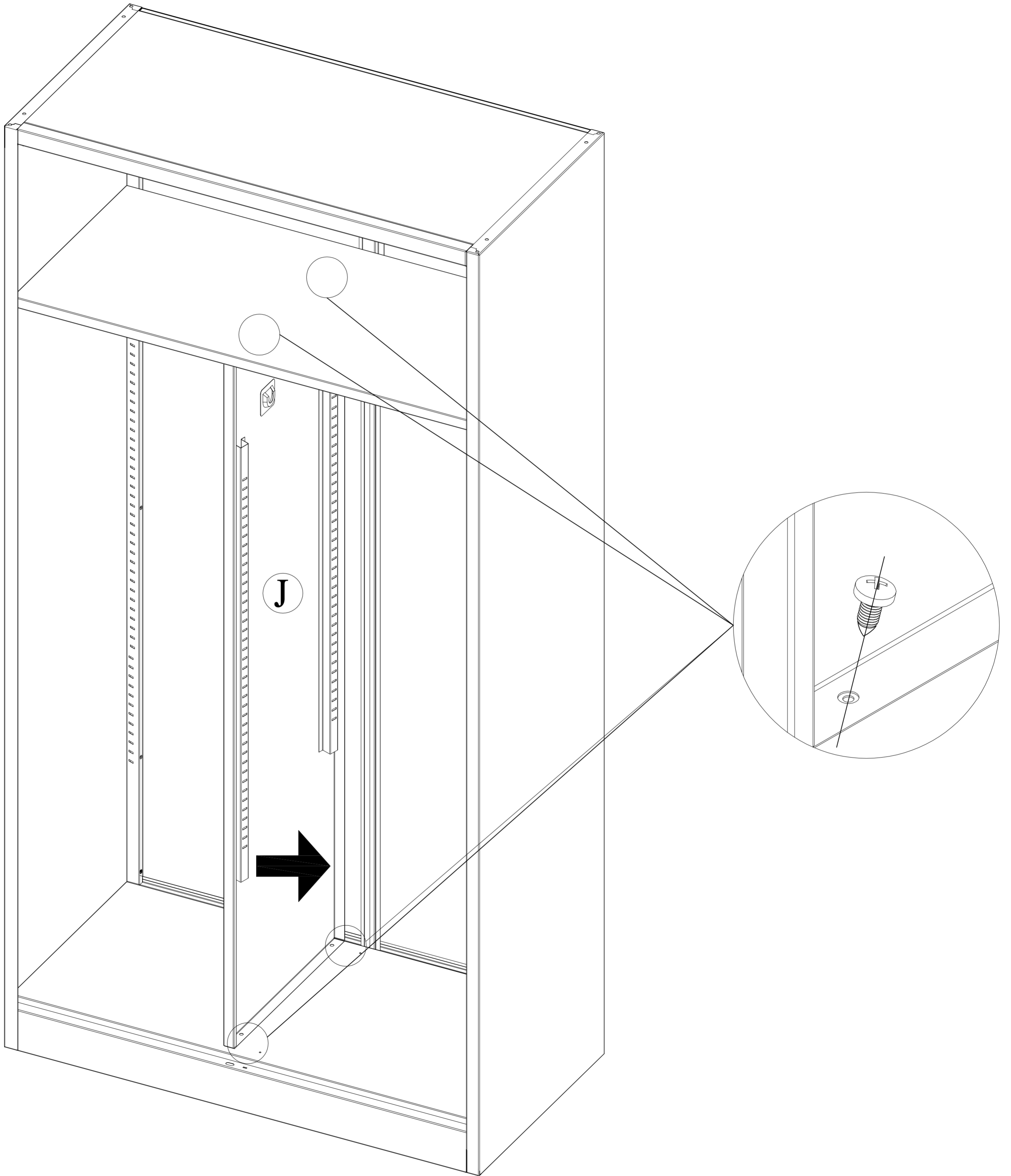
**N**  × 1

**W**  × 12

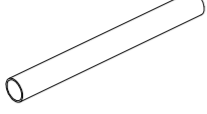


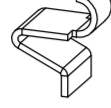
# Step 9

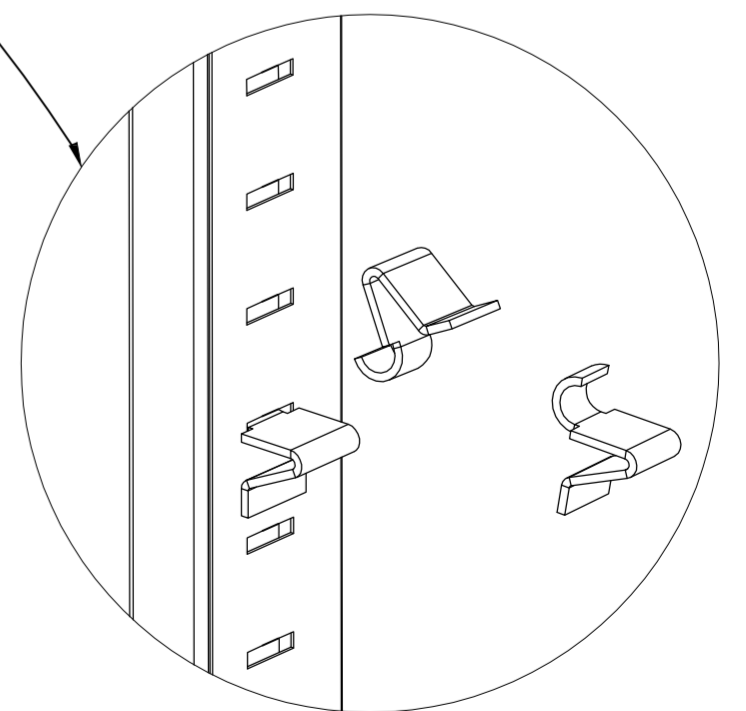
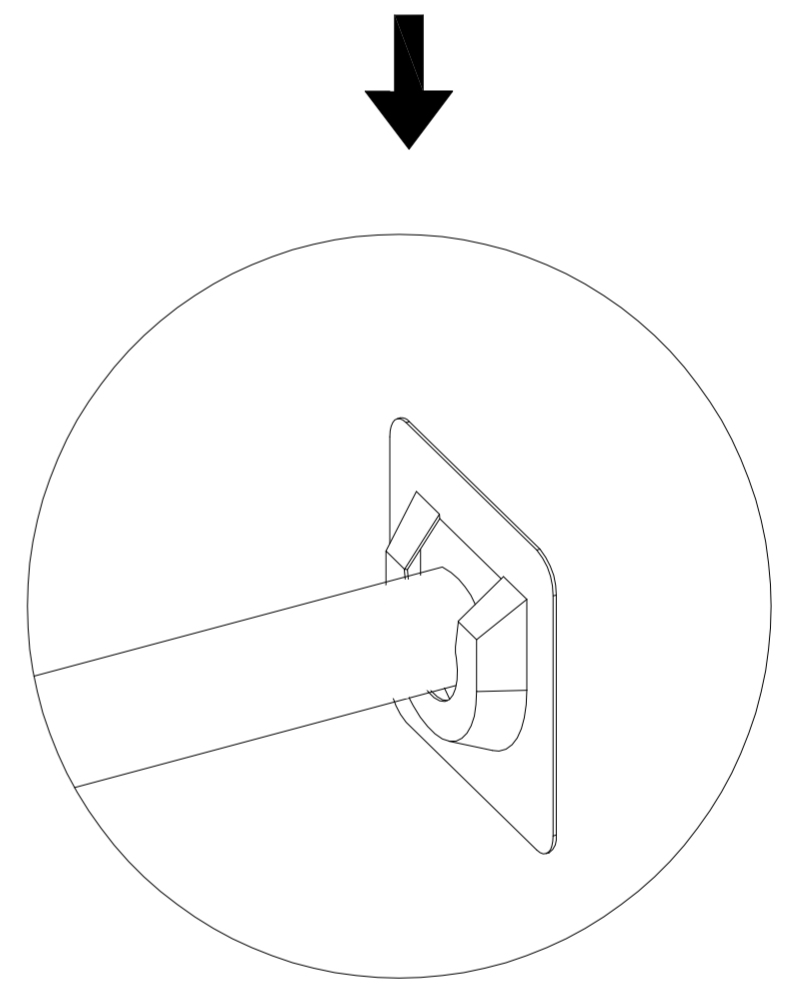
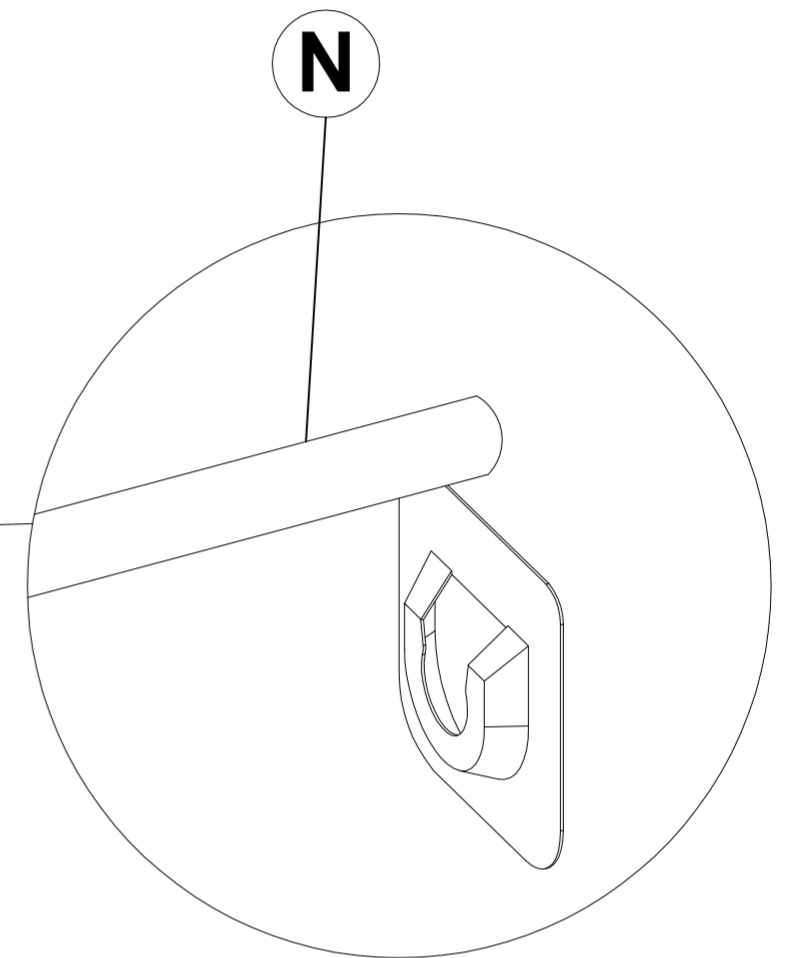
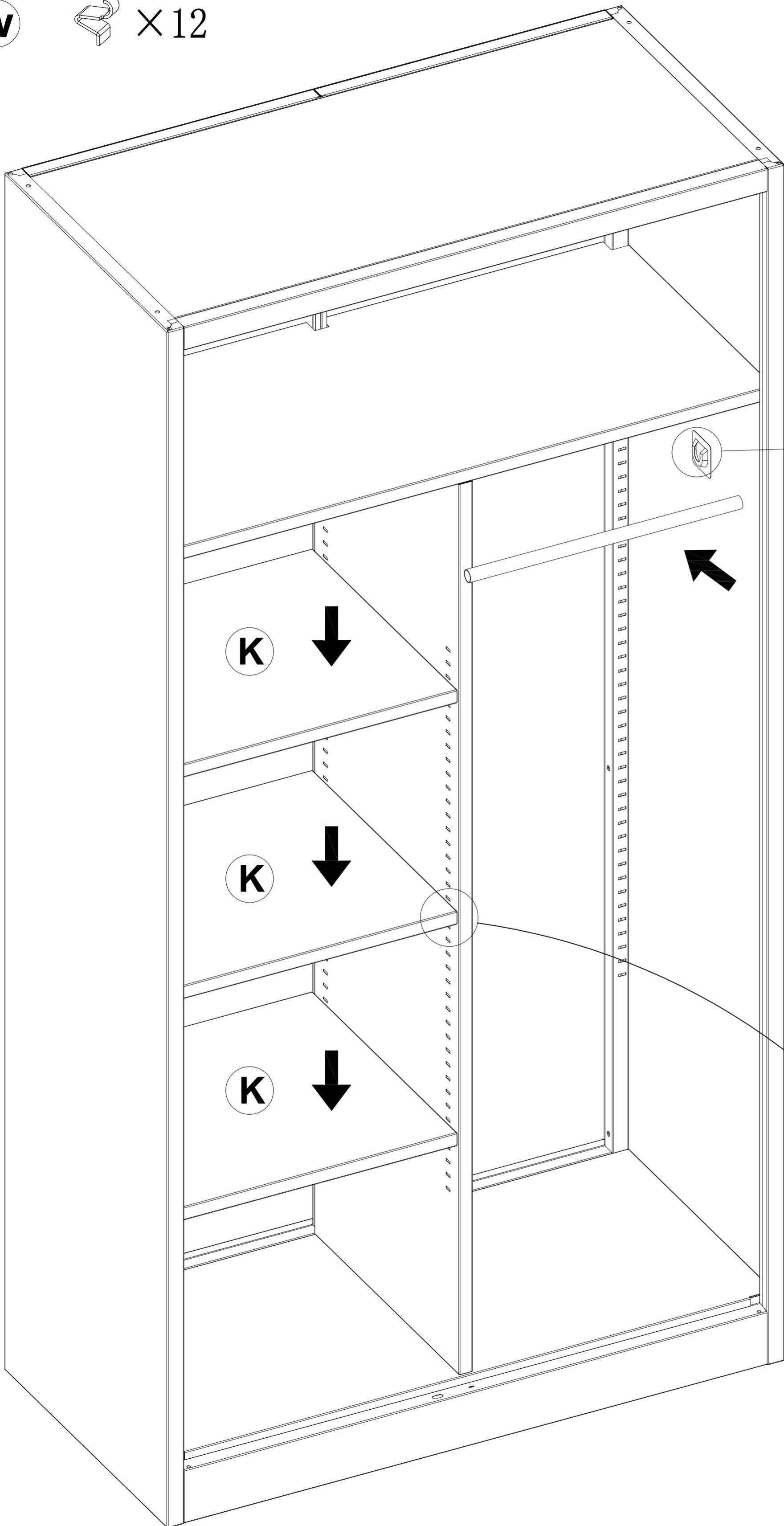
Q  X4



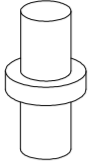
# Step 10


**N**  ×1

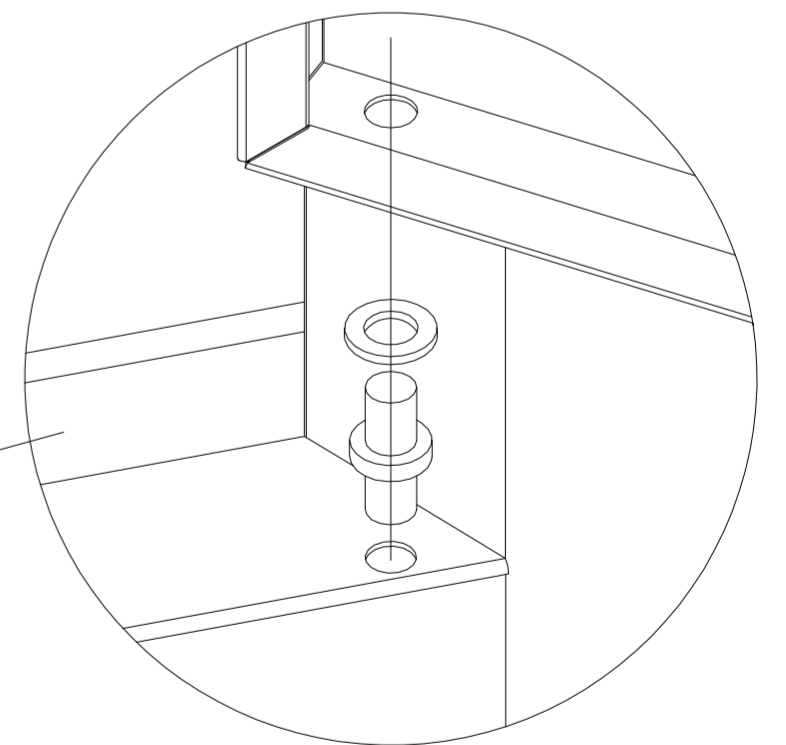
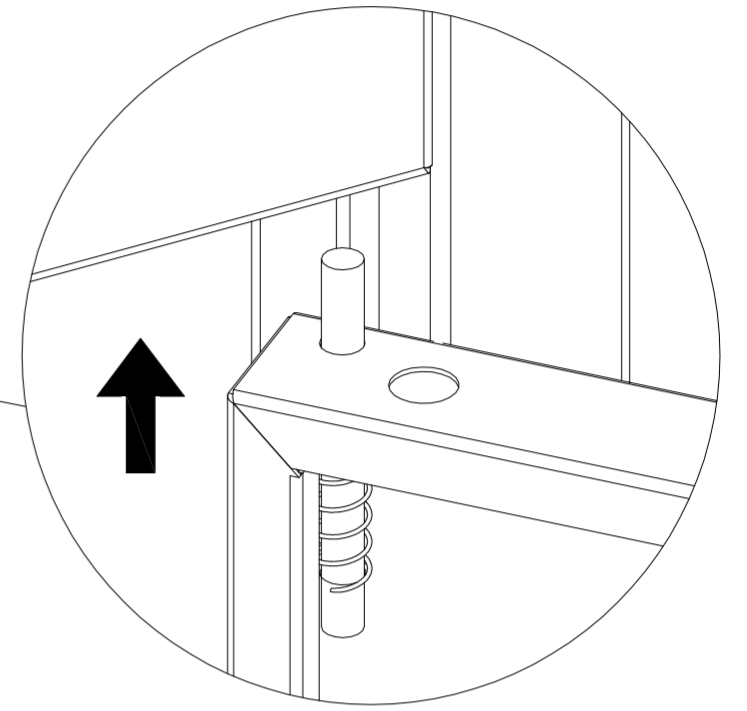
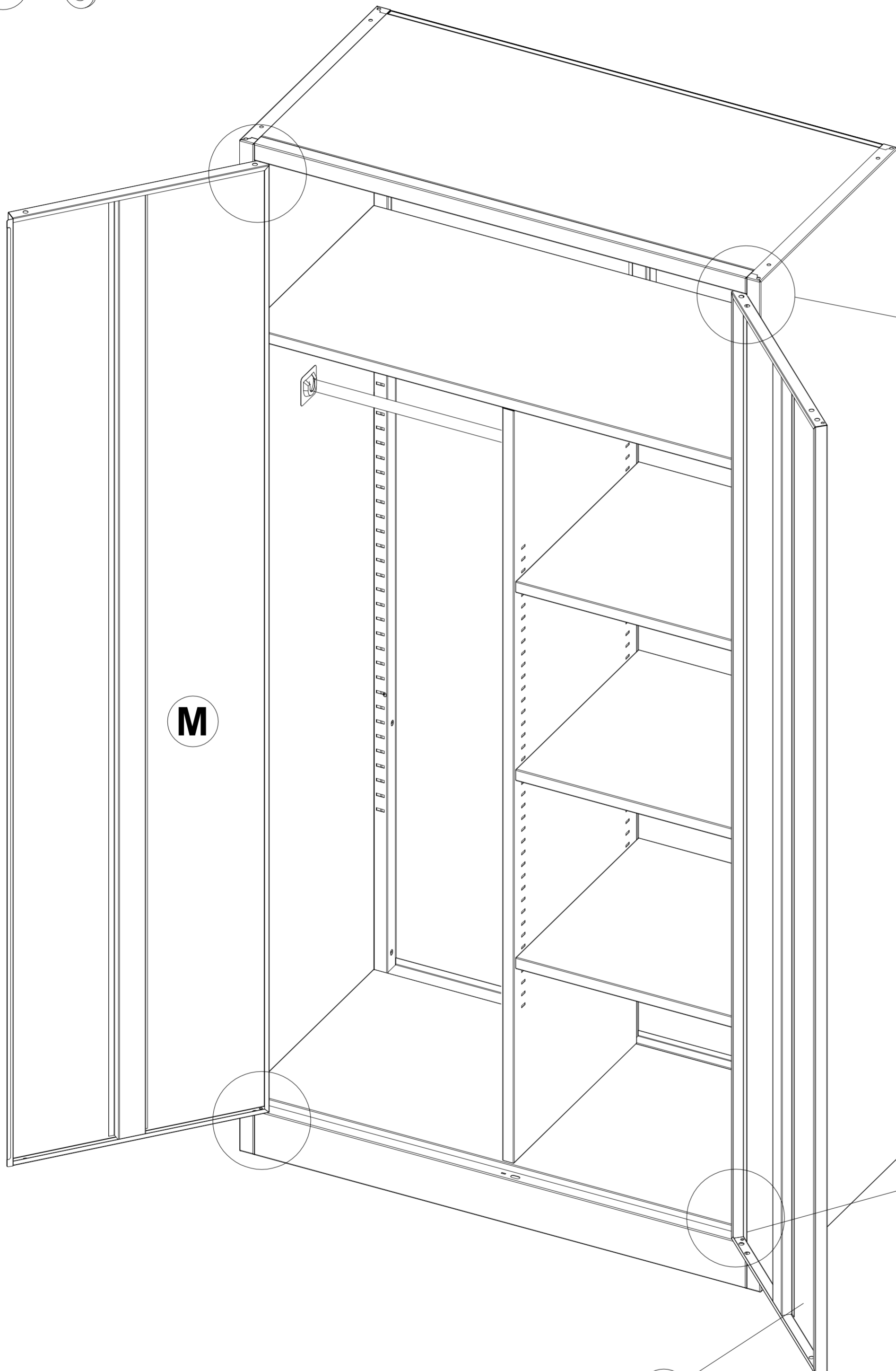
**W**  ×12



# Step 11

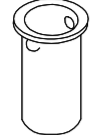

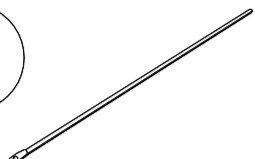
U  × 2

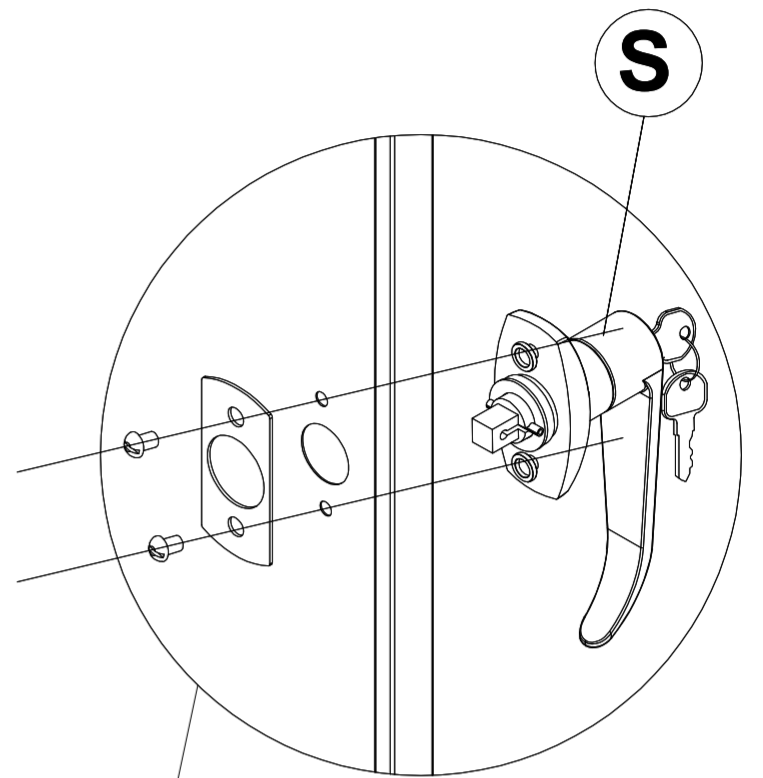
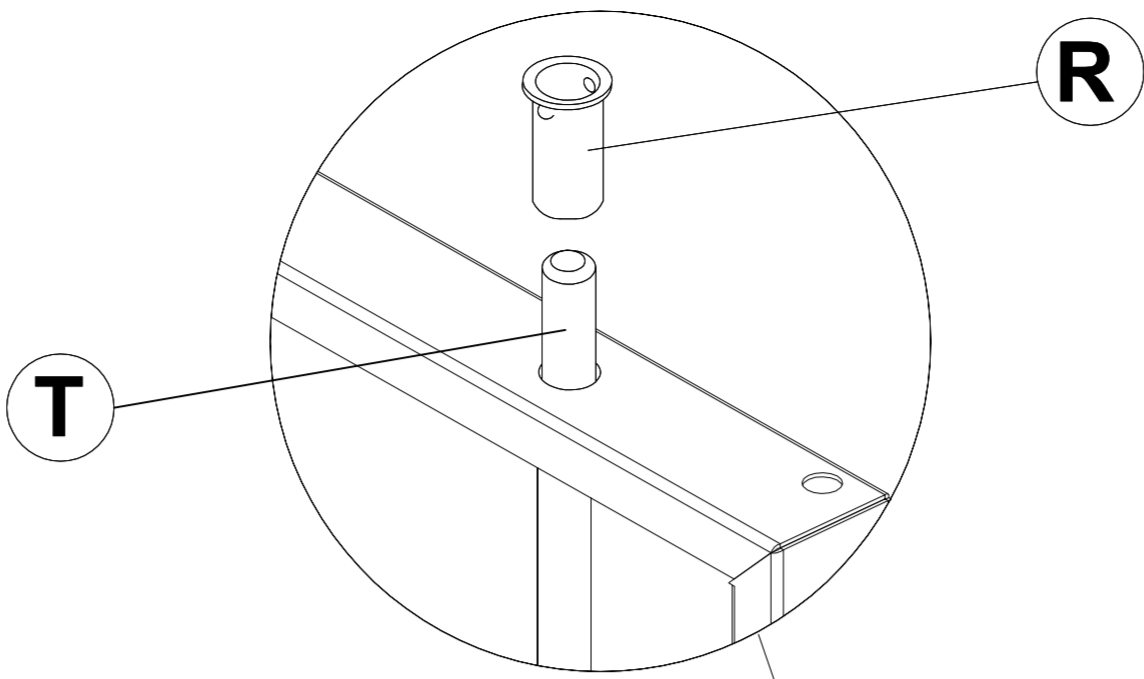
V  × 4



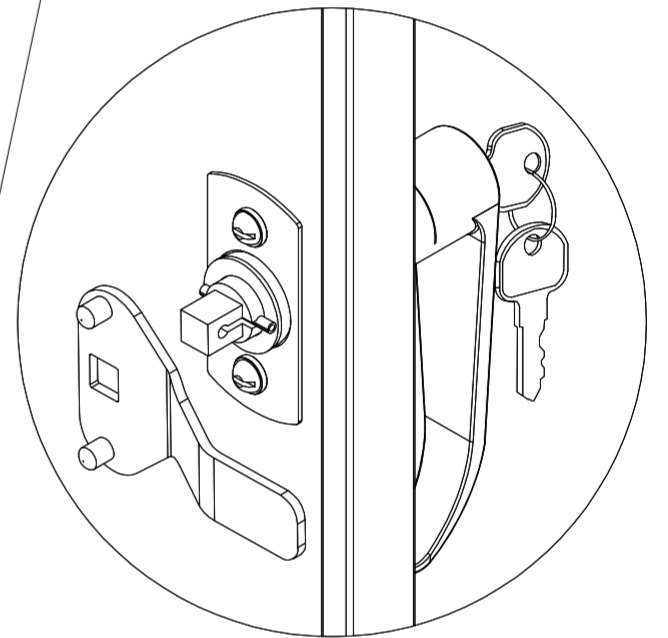
L

# Step 12

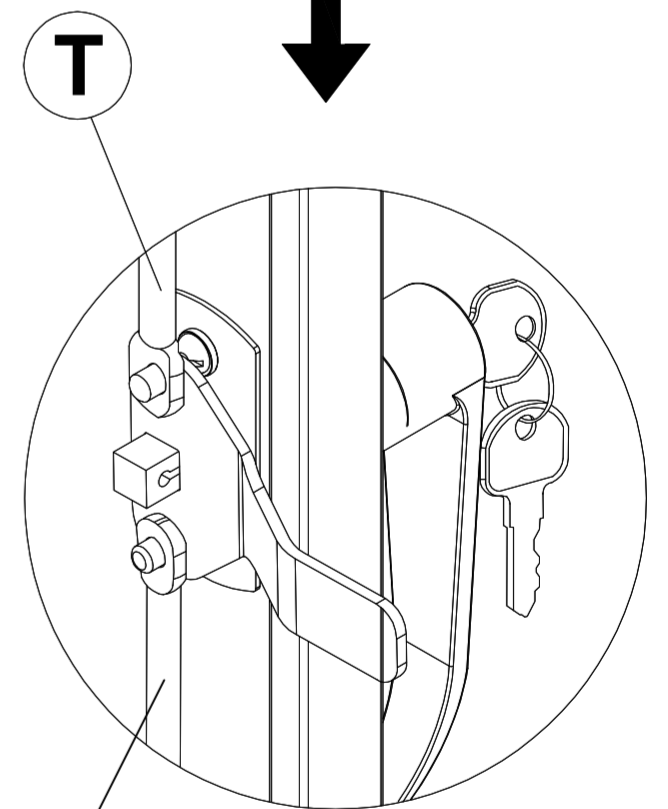
- R**  X2
- S**  X1
- T**  X2



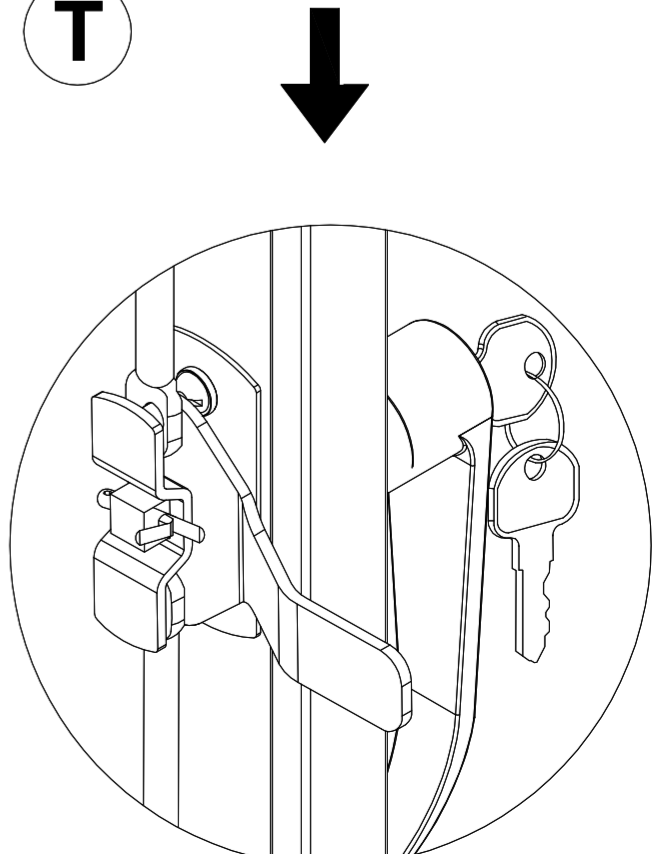
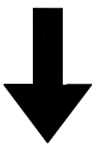
1



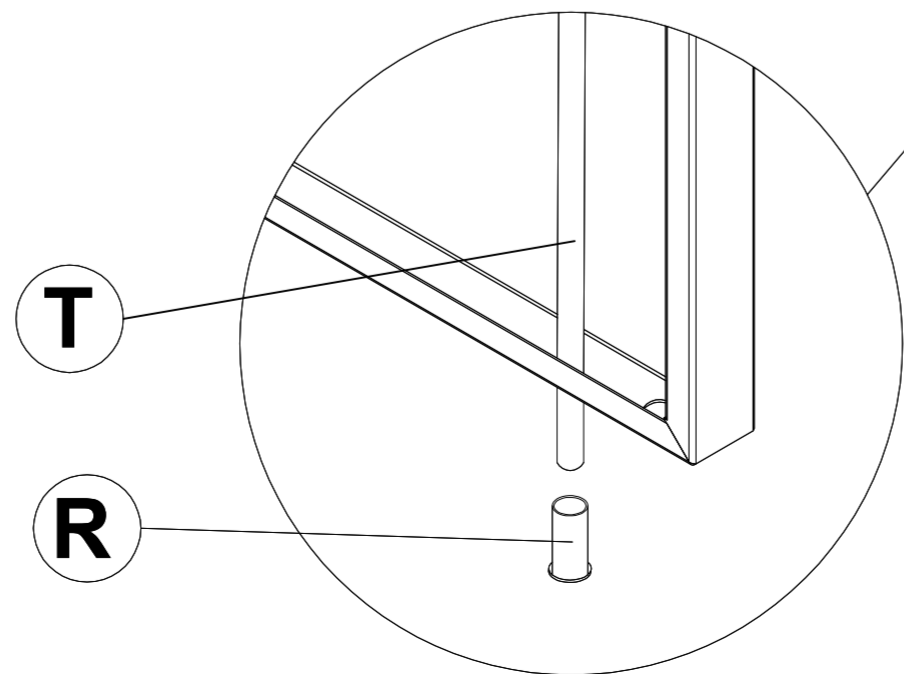
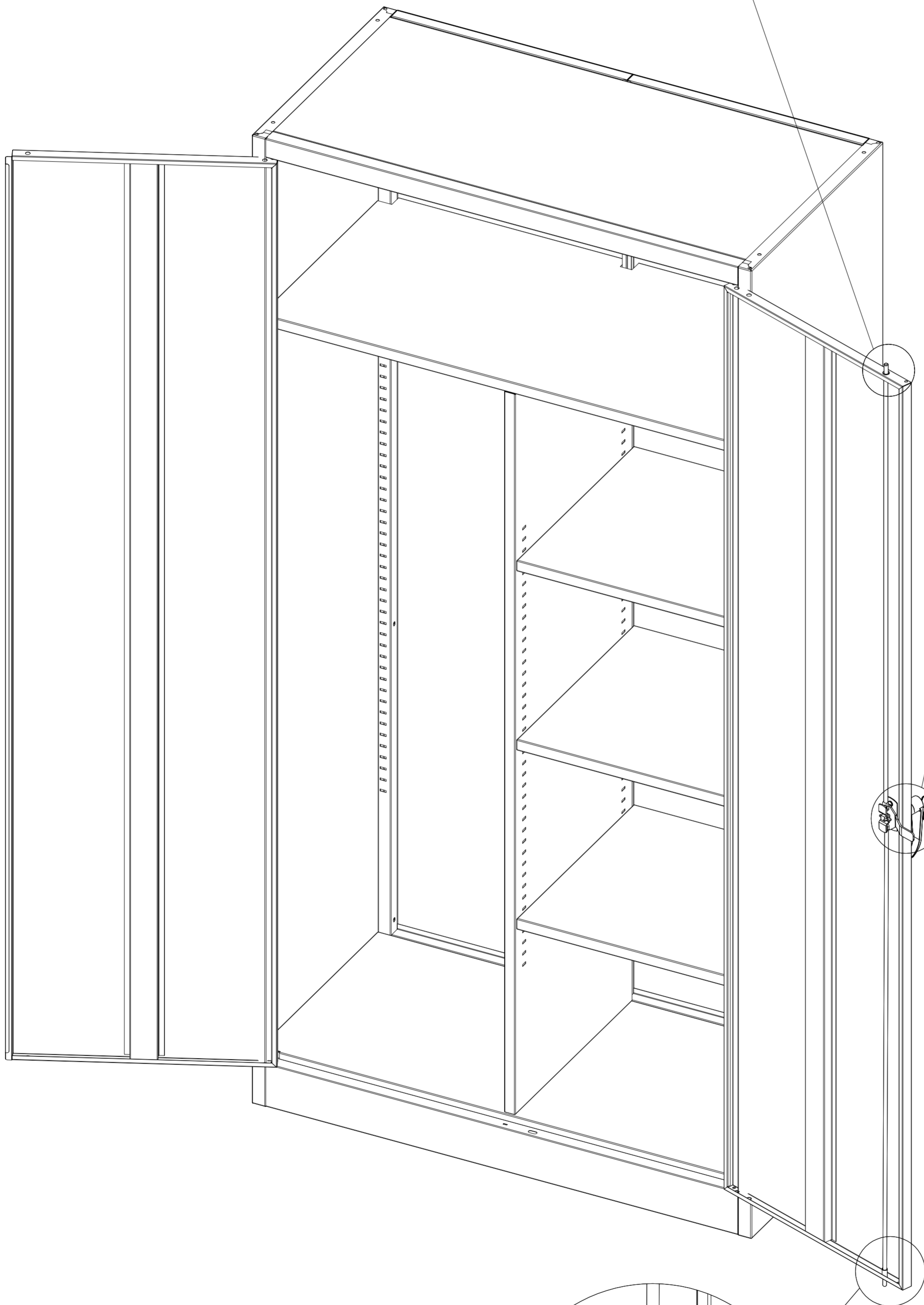
2



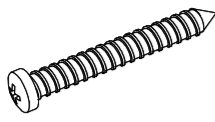
3

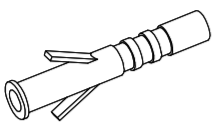


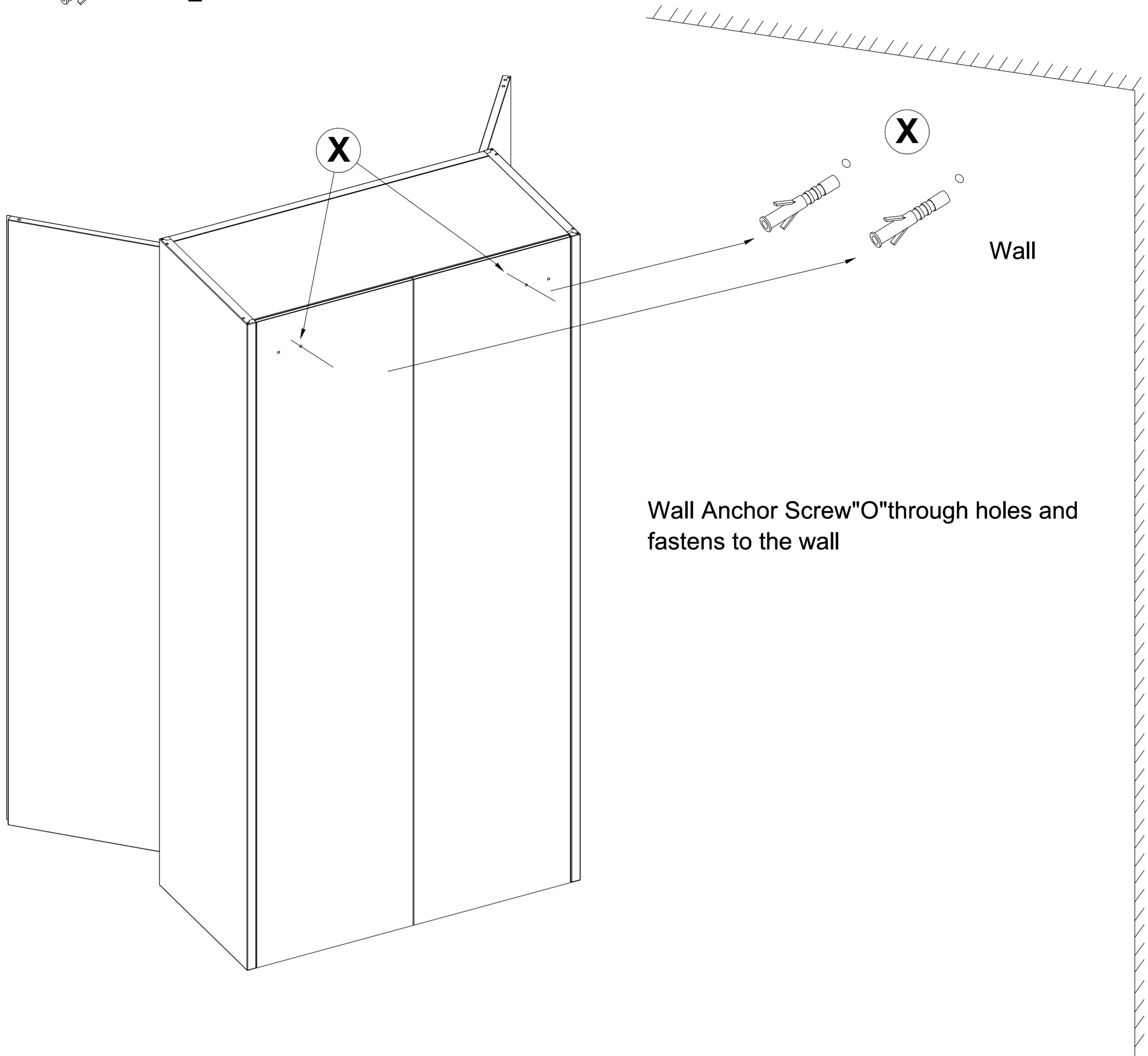
4



# Step 13

ⓧ  × 2

 × 2



Wall Anchor Screw "O" through holes and fastens to the wall

**AFTER ASSEMBLY IS COMPLETE, THE UNIT MUST BE SECURED TO A WALL.**

**FAILURE to mount the unit to a wall, can create a TIPPING HAZARD.**

**A tipping hazard is dangerous to yourself and others. Use wall anchor hardware that properly suits the installation of mounting this unit to a wall**

# Step 14

This Product is designed for stationary use only.

Do not use it with any type of mobile cabinet conversion device.

