






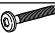


ASSEMBLY INSTRUCTIONS

REVISION : A

ASSEMBLY TIPS :

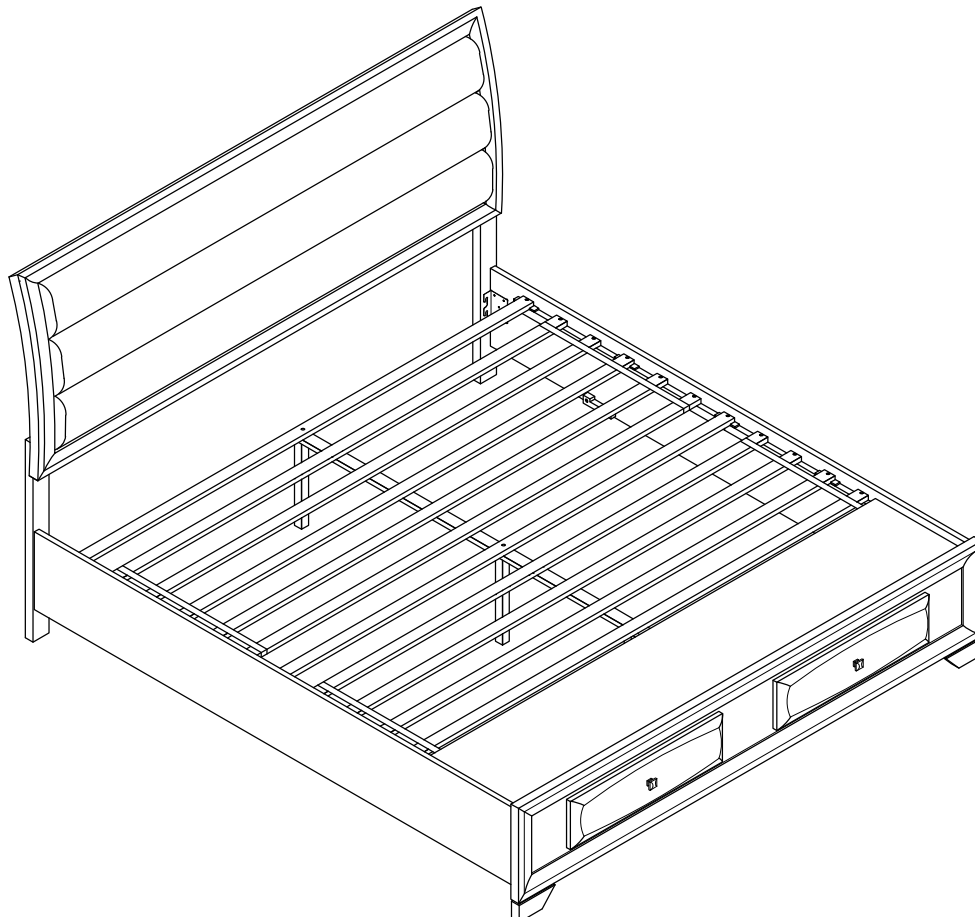
1. Remove hardware from box and sort by size.
2. Please check to see that all hardware and parts are present prior to start of assembly.
3. Please follow attached instructions in the same sequence as numbered to assure fast and easy assembly.

| Component List | | |
|-----------------------|-----------------------------|-----|
| Headboard & Footboard | | |
| No | Descriptions | Qty |
| A | Headboard Panel | 1 |
| B | Headboard Leg Left (L) | 1 |
| C | Headboard Leg Right (R) | 1 |
| D | Footboard Panel | 1 |
| E | Slat Cover | 1 |
| F | Drawer Slat | 1 |
| G | Drawer Slat Support | 1 |
| H | Drawer Slat Support Stopper | 1 |
| I | Bed Slat 3 Holes | 3 |
| J | Bed Slat 2 Holes | 10 |
| K | Bed Slat Support | 3 |

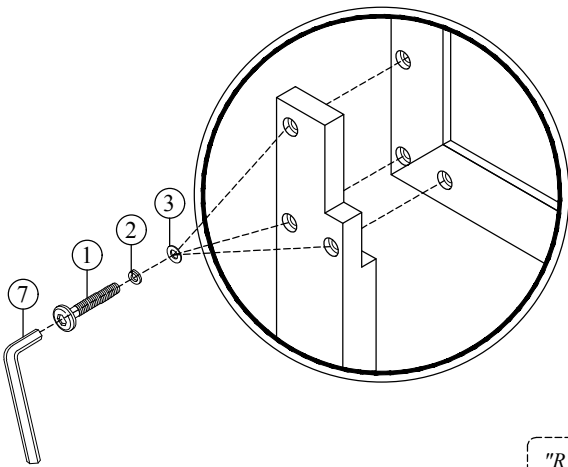
| Hardware List | | |
|-----------------------|---|-----|
| Headboard & Footboard | | |
| No | Descriptions | Qty |
| 1 | JCBC Screw M6 x 30mm  | 6 |
| 2 | Spring Washer Ø 1/4"  | 6 |
| 3 | Flat Washer Ø 1/4" x 13mm  | 6 |
| 4 | CSK M4 x 16mm  | 7 |
| 5 | CSK M4 x 32mm  | 30 |
| 6 | JCBC Screw M6 x 50mm  | 3 |
| 7 | L Key M4  | 1 |
| 8 | L Key M5  | 1 |

| Side Rail | | |
|-----------|--------------------------|-----|
| No | Descriptions | Qty |
| L | Side Rail | 2 |
| M | Center Slat With 3 Holes | 1 |

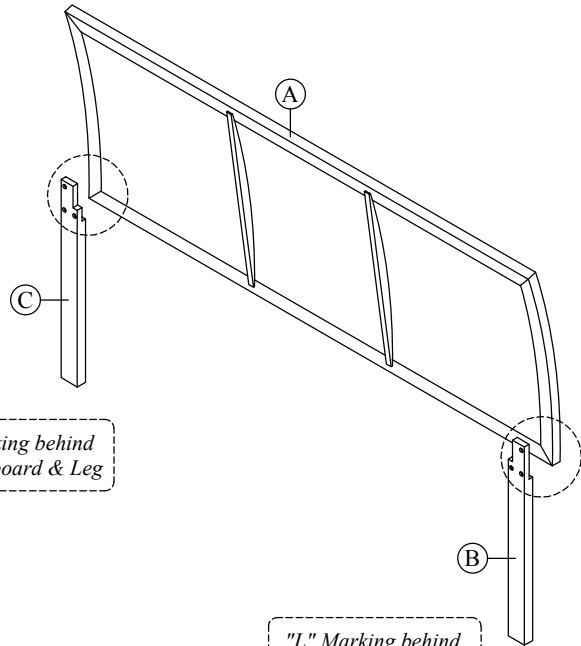
| Drawer | | |
|--------|--------------|-----|
| No | Descriptions | Qty |
| N | Drawer | 2 |



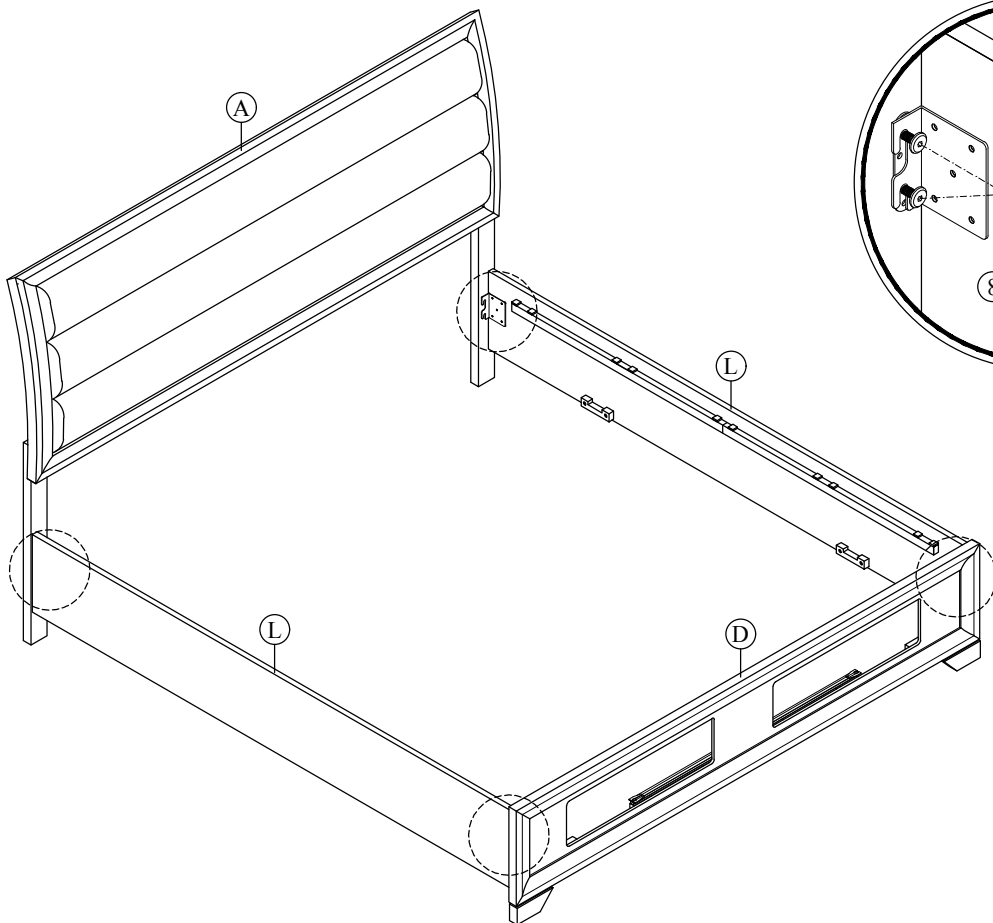
ASSEMBLY INSTRUCTIONS



"R" Marking behind the Headboard & Leg

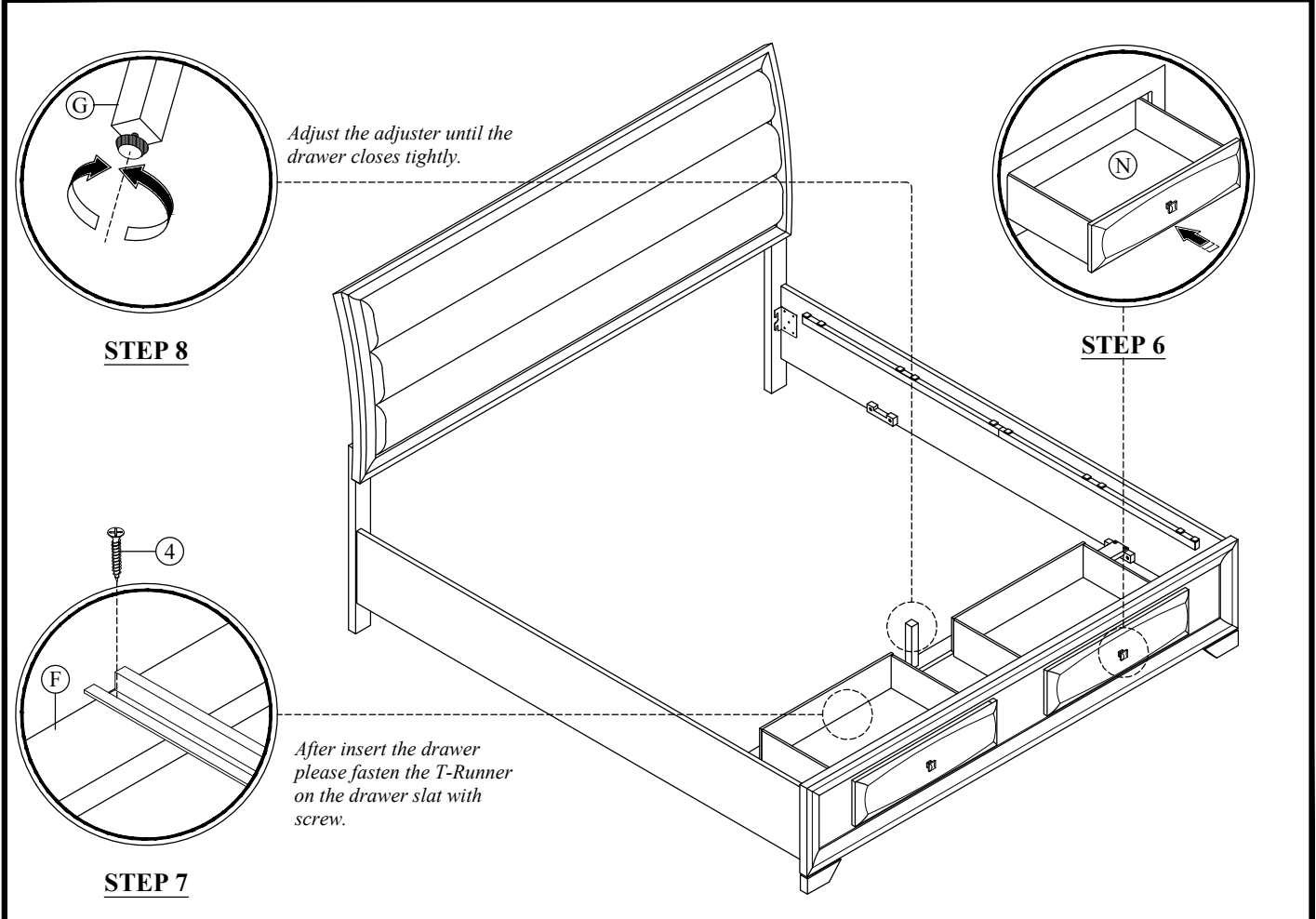
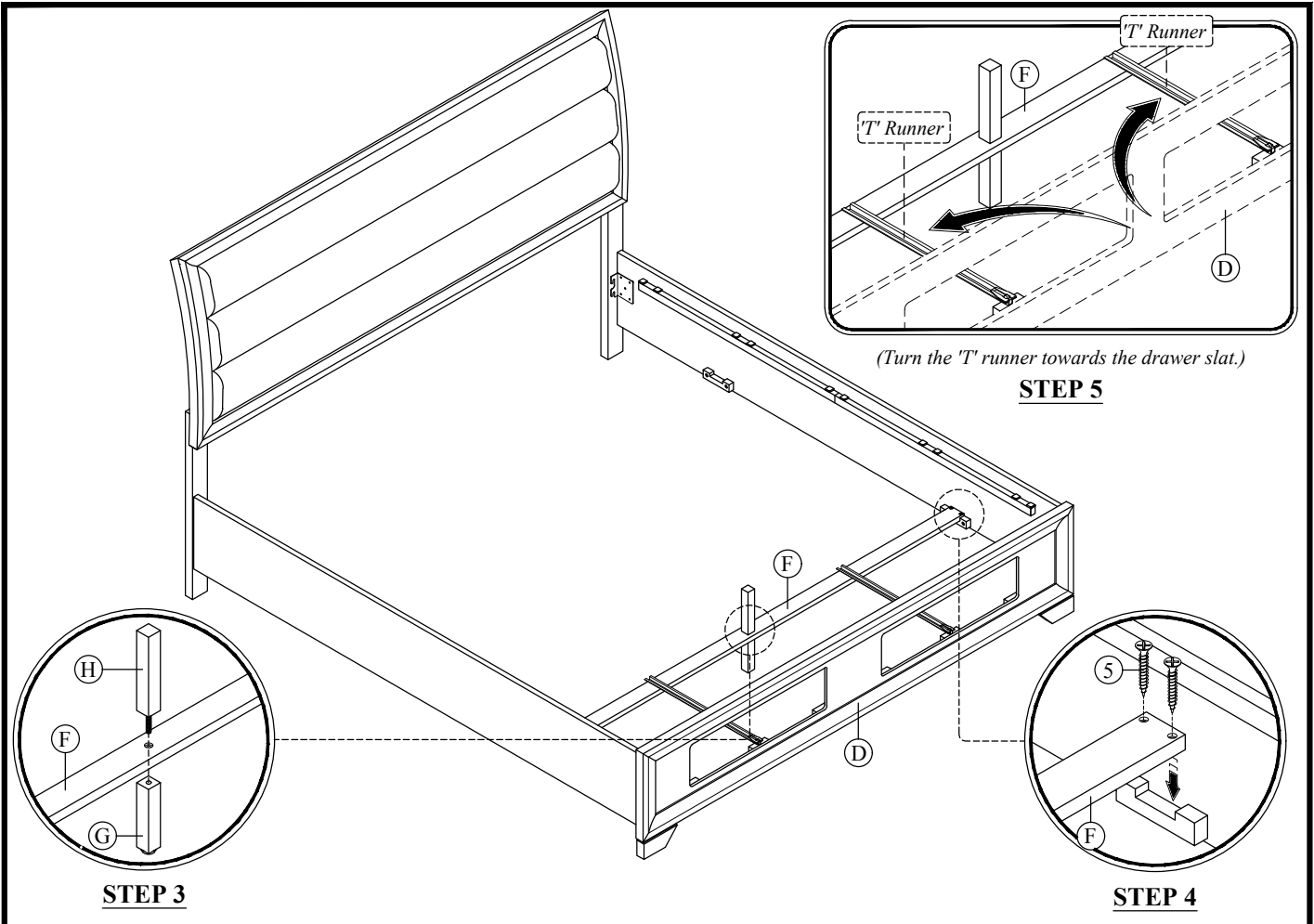


"L" Marking behind the Headboard & Leg



STEP 2

ASSEMBLY INSTRUCTIONS



ASSEMBLY INSTRUCTIONS

