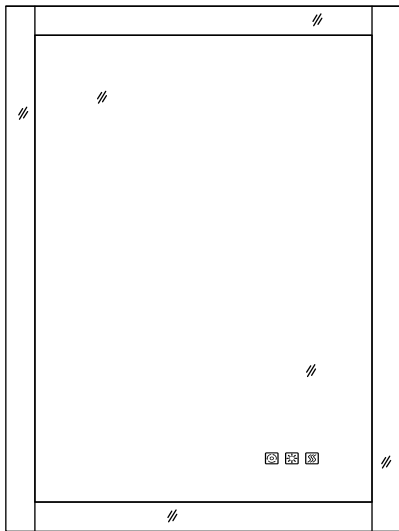


## Product Features :

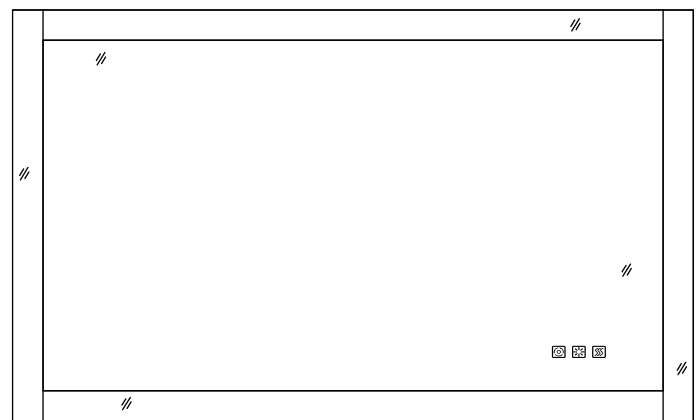
- Extra thick LED light
- Touch switch with memory

- Touch switch dimming function
- Anti-fog pad

# Installation and Operating Manual



11BM2432V7FDX  
11BM2836V7FDX



11BM4024V7FDX  
11BM4032V7FDX

### **For easy and safe installation, please refer to the following:**

Read all instructions thoroughly before installing the enclosed product.  
Read and take note of all safety, care and maintenance information.

**PLEASE KEEP THIS INSTRUCTION MANUAL FOR FUTURE REFERENCE DURING PRODUCT OPERATION AND MAINTENANCE.**

## Important Tips



### **WARNING AND SAFETY INSTRUCTIONS**

Before assembling your LED Lighted Mirror fixture, please make sure that you carefully read through this instruction sheet, refer back to them during installation to ensure your product is fitted safely and correctly. Keep these instructions for future use.

### **WARNING** Risk of Fire and Electric Shock

- All fittings must be installed in accordance with current IEE wiring regulations. If in doubt, consult a qualified electrician.
- Switch off the electrical supply at the main circuit board BEFORE installation and maintenance.
- Suitable for indoor use only. This product should be positioned well away from curtains and fabrics. Never cover the mirror.
- Regularly check the cord, the transformer and all other parts for damage, if any part is damaged the product should not be used.

### **INSTALLATION SAFETY**

- Inspect the product immediately upon receipt for the transit damage or missing parts. Handle the product with care and protect against knocks to all sides and edges of the glass.
- Ensure there are no hidden pipes or cables in the wall before drilling.
- Wear suitable eye protection when drilling. Take care if drilling on tiled surfaces in case the drill slips.

### **CAUTION**

The light source of this product is non-changeable light diodes (LED). Do not disassemble the product, as the light diodes can cause damage to the eyes.

NOTE: The important safeguards and instructions that appear in this manual are not meant to cover all possible conditions and situations that may occur. It must be understood that common sense, caution and care are factors that can't be built into any product. These factors must be supplied by the person(s) caring for and operating the fixture. Do not install this fixture in hazardous locations.

# Accessories and Installation Steps

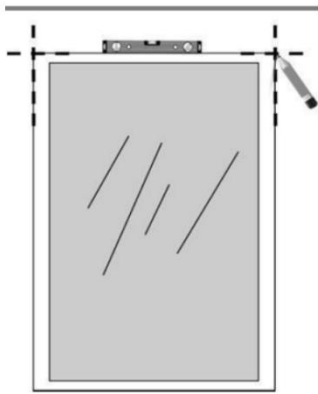
## CHECK PRODUCT LIST AFTER OPENING THE PACKAGE

- LED Lighted Mirror -- 1 pcs
- Screws for wall -- 5 pcs
- Plastic Anchor -- 5 pcs
- Mounting bar -- 1 pcs
- Installation Manual -- 1 pcs

## TOOLS YOU MAY NEED

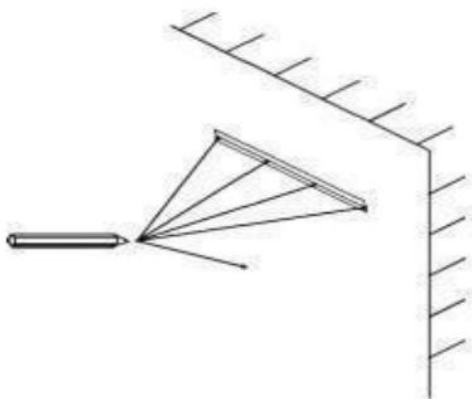


### Installation Steps:



1

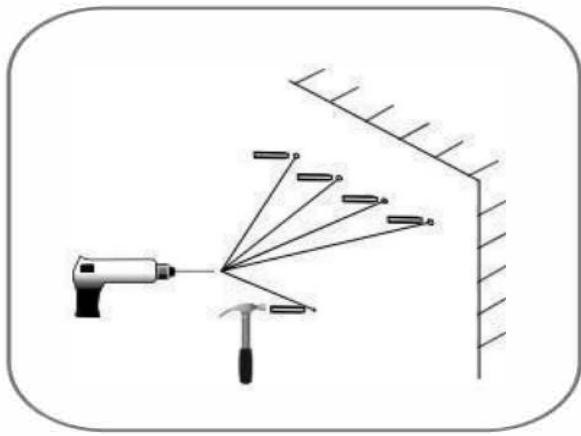
Level and mark the location.



2

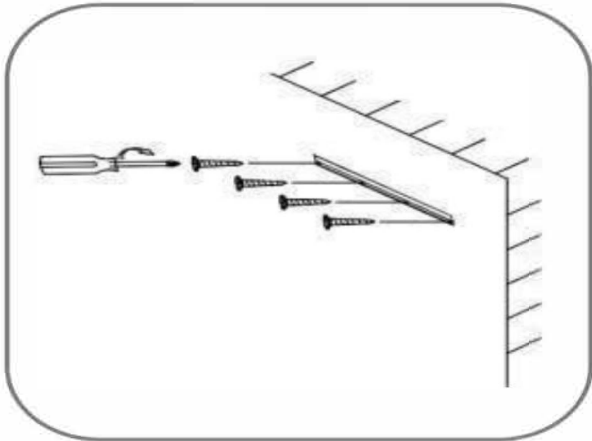
Place the mounting bar against the wall and make some marks on the wall.

*\* All diagrams are for reference only. All model dimensions and proportions position will vary.*



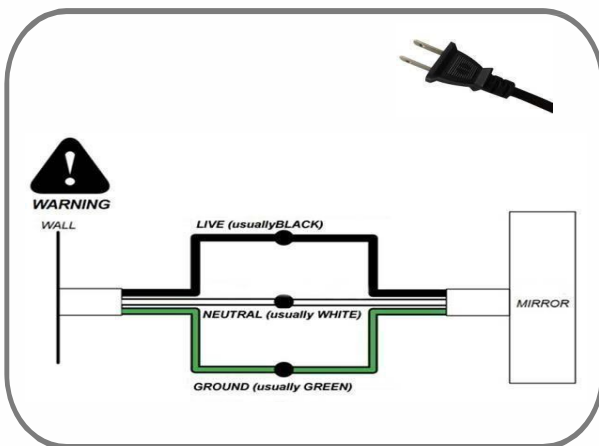
3

Drill the holes and place the suitable plastic anchors.



4

Screw the mounting bar onto the wall with the screws .



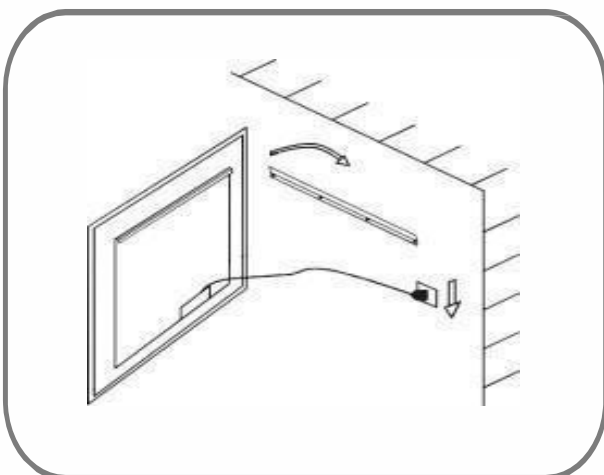
5

-Connect the mirror with the main supply.

-We provide plug with mirrors.

-Optional to cut the plug directly, then connect to electrical wiring if using wall switch.

**ATTENTION: PLEASE CUT OFF THE MAIN POWER SUPPLY BEFORE WIRING!**



6

Hang the mirror onto the mounting bar.

# Operation Instruction

## Manual to turn on/off light, dimming, CCT changing with touch switch



- Short - touch the button to turn on/off the mirror.
- Adjusting color temperatures (CCT) between warm white and cool white by long - touching the button for seconds.
- Finish setting by withdrawing your finger when the color reaches the one you need.
- Optional to be wired to wall switch by ON/OFF memory function.



- Short - touch the button to turn on/off the mirror.
- Long touching the button to adjust the brightness (Dimming).
- Finish setting by withdrawing your finger when the brightness reaches the one you need.



- Mirror begins to be warm and defog after pressing the defogger button.
- Press again to quit the anti - fog function.
- Long press button to turn on /off the blue backlight. In default mode, the touch switches are with blue backlight.
- Note: The defogger will stop automatically after 60 minutes of continuous operation to prevent any damage caused by prolonged high temperature.