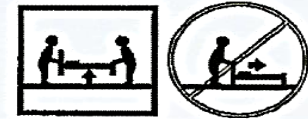
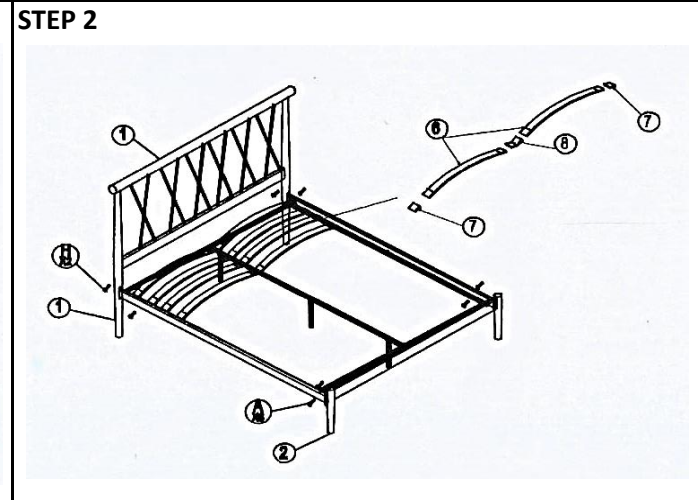
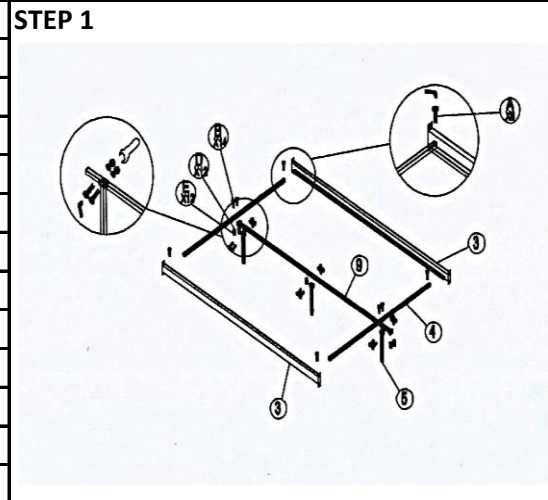


DESCRIPTION : DOUBLE BED

ASSEMBLY INSTRUCTION



PART LIST		
NO	DESCRIPTION	QTY
1	HEADBOARD	1 PC
2	FOOTBOARD	1 PC
3	SIDE RAIL	2 PCS
4	CROSS BAR	2 PCS
5	CENTRE LEG	3 PCS
6	BENDWOOD SLAT	22 PCS
7	END CAP	22 PCS
8	MIDDLE CAP	11 PCS
9	CENTRE BAR	1 PC
10	HEADBOARD JOIN	2 PCS



HARDWARE LIST		
NO	DESCRIPTION	QTY
A	JCBC (M8X20)	6 PCS
B	JCBC (M6X35)	14 PCS
C	M6 WASHER	12 PCS
D	M6 HEX NUT	12 PCS
E	ALLEN KEY	1 PCS
F	M10 WRENCH	1 PCS
G	25MM ROUND CAP	1 PCS
H	JCBC (M6X50)	2 PCS

