


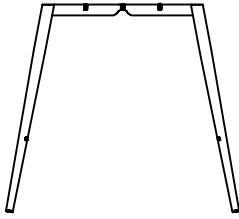
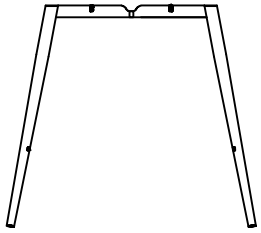
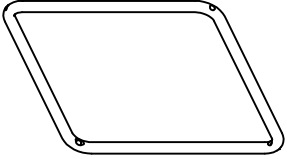
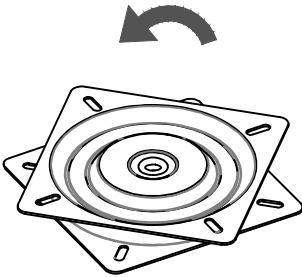
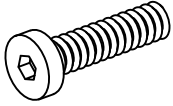
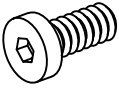

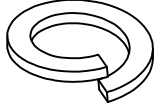
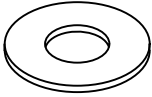
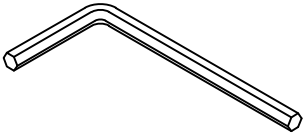

# Assembly Manual

## Counter & Bar Height Swivel Stool



 **CAUTION**

THIS ASSEMBLY MANUAL CONTAINS IMPORTANT SAFETY INFORMATION.  
PLEASE READ AND KEEP FOR FUTURE REFERENCE.

<p>Ax1</p> 	<p>Bx1</p> 	<p>Cx1</p> 
<p>Dx1</p> 	<p>Ex1</p> 	<p>Fx5</p>  <p>M6 x 30mm</p>
<p>Gx4</p>  <p>M6 x 18mm</p>	<p>Hx4</p>  <p>M6 x 25mm</p>	<p>Ix9</p>  <p>M6</p>
<p>Jx9</p>  <p>M6</p>	<p>Kx1</p>  <p>4#</p>	<p>Lx4</p>  <p>Ø15mm</p>

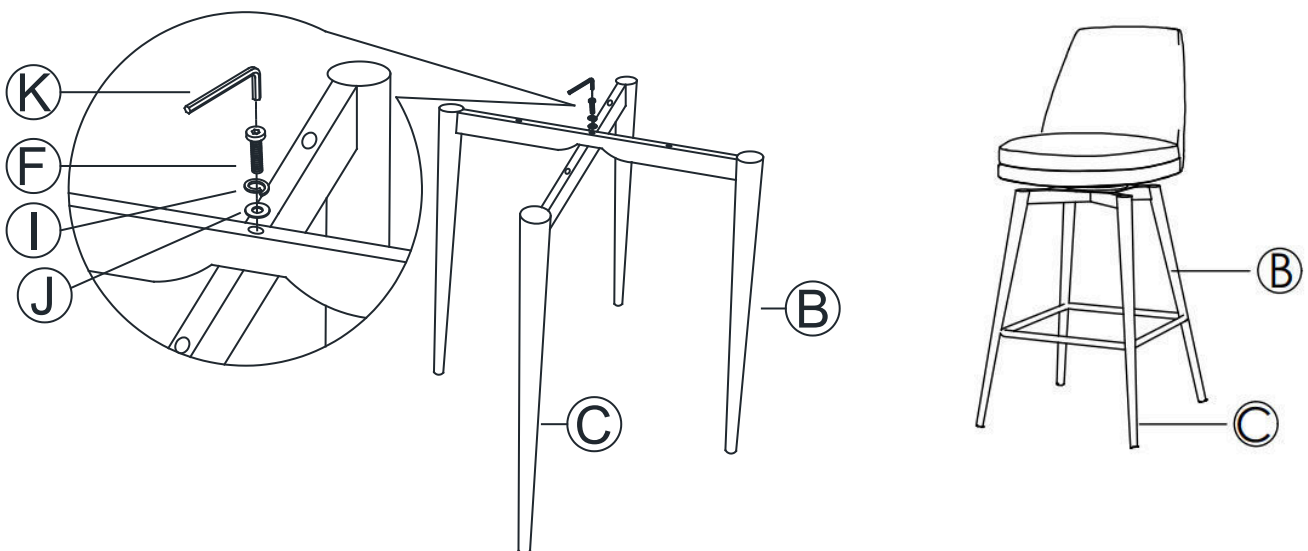
Please read through the instructions below to familiarize yourself with the parts and steps before assembly.

**Note: Do NOT use power tools for assembly.**

## ASSEMBLY INSTRUCTIONS

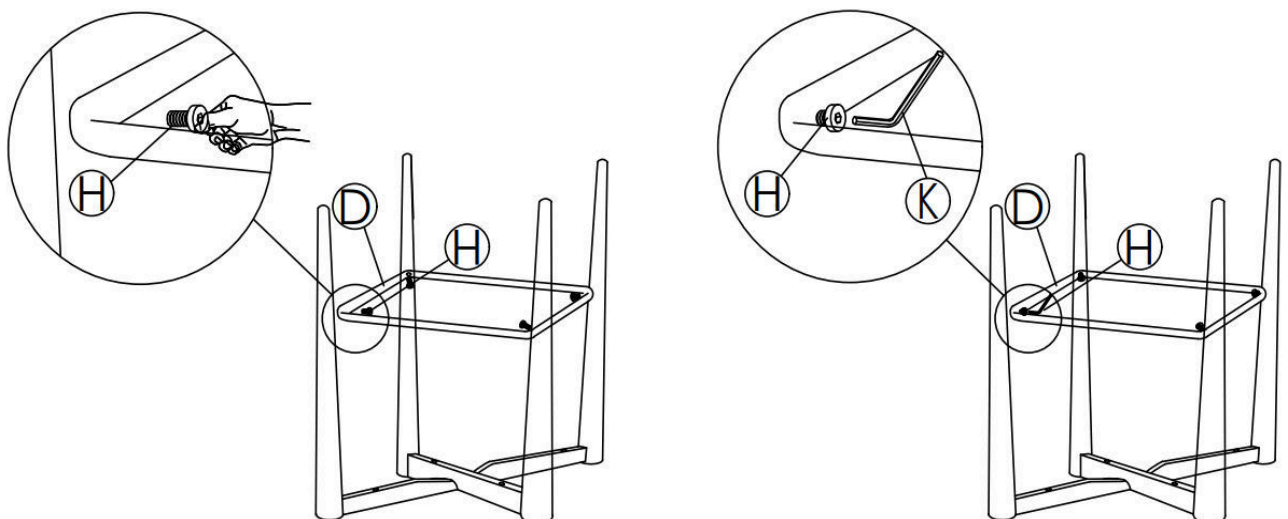
- ① Unpack and place seat (A), legs (B&C), foot rest (D) and swivel plate (E) on a clean surface.  
 Attach leg (B) to leg (C), using longest bolt (F), lock washer (I), flat washer (J) and allen wrench (K).

**Note: Do not fully tighten yet.**

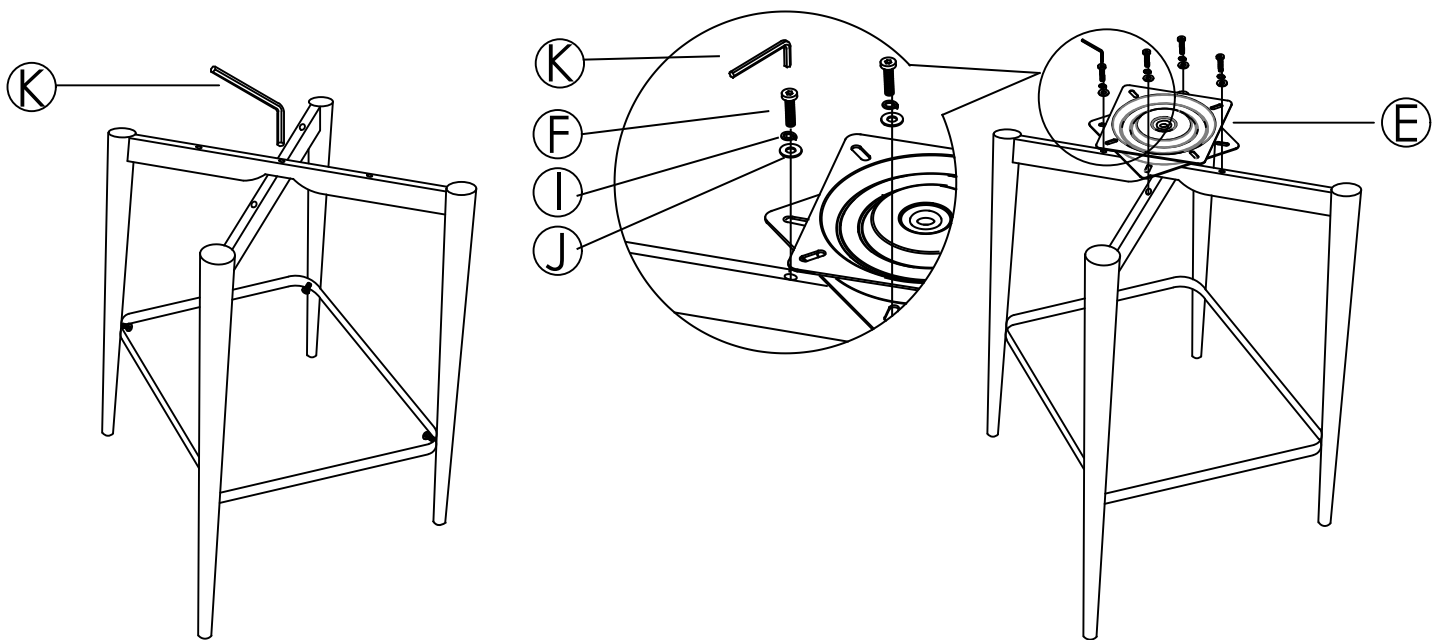


- ② **Loosely** attach the bolts (H) one by one and **keep them loose. Do not fully tighten.** After **loosely** attach the first bolt, move on to the diagonal bolt. After all 4 bolts are attached, use allen wrench (K) to tighten.

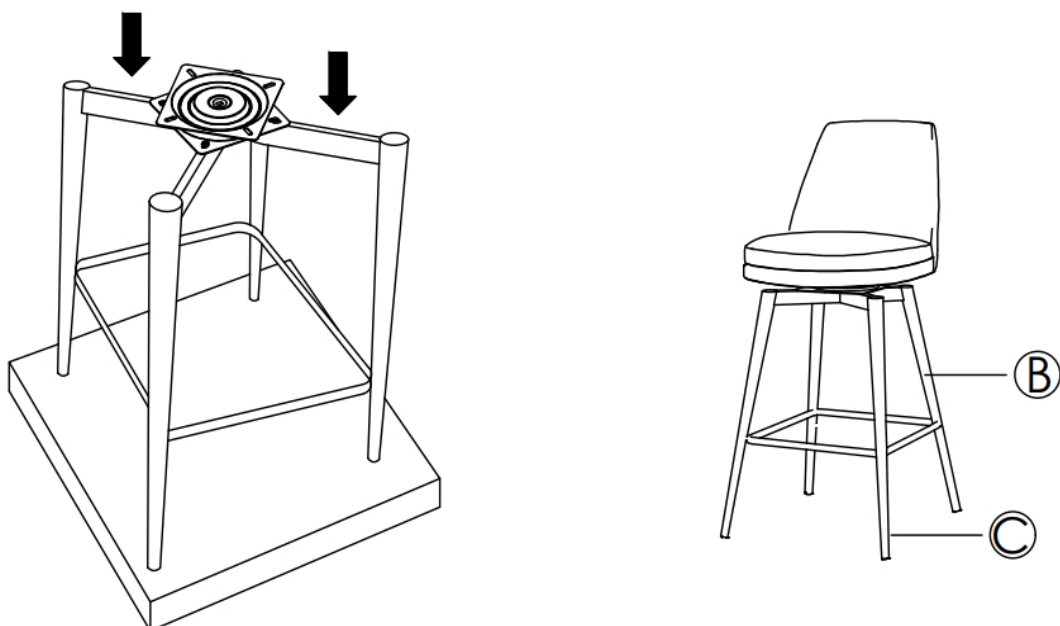
**Note: Do NOT use power tools for assembly.**



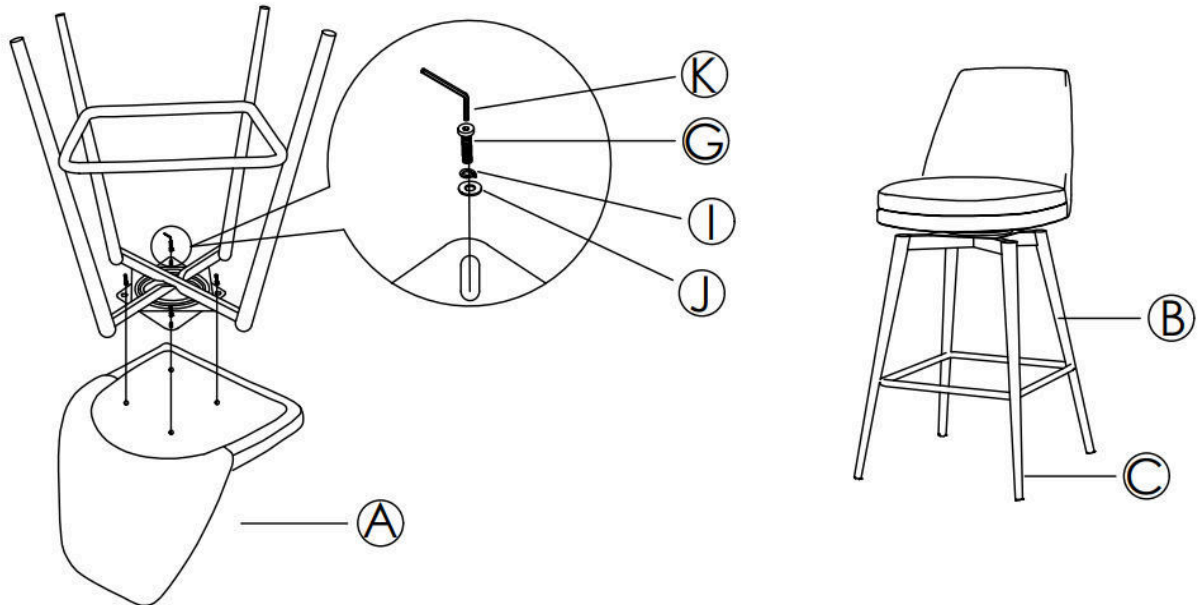
- ③ Fully tighten the longest bolt (F) in step 1 with allen wrench (K). Then attach swivel plate (E) to assembled legs in step 2, using longest bolts (F), lock washers (I), flat washers (J) and allen wrench (K). **Do not fully tighten yet.**



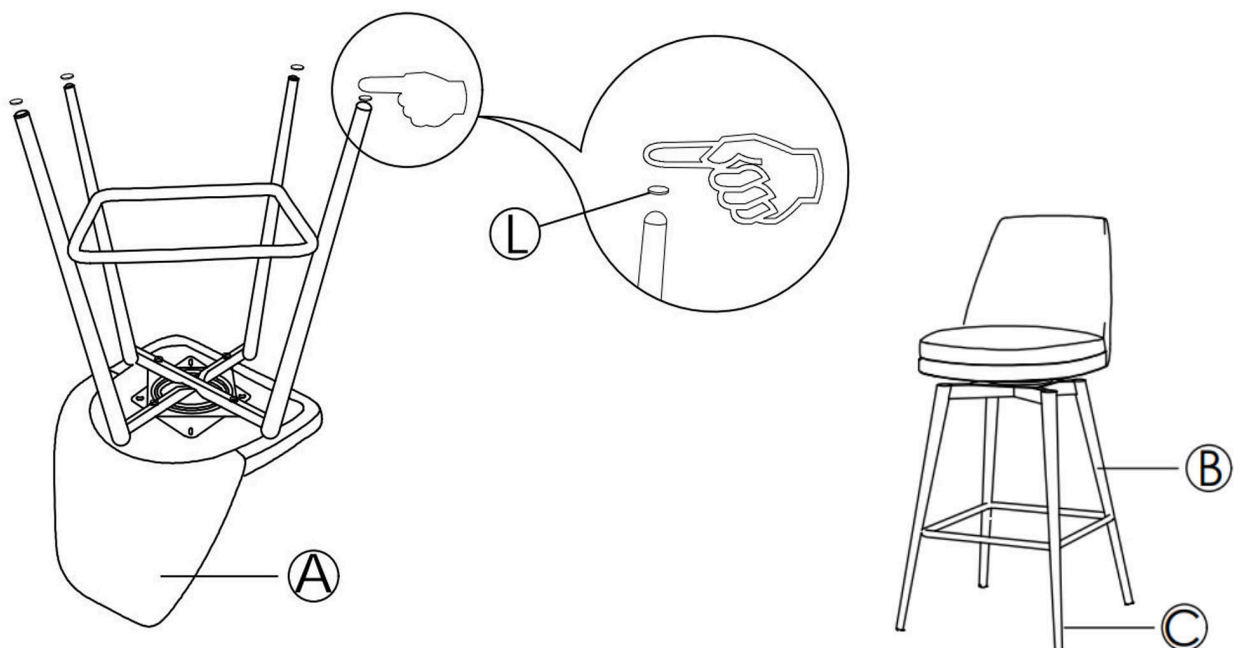
- ④ Put assembled legs in step 3 on a flat surface. Push legs up or down as necessary to level. **Once level, tighten all bolts.**



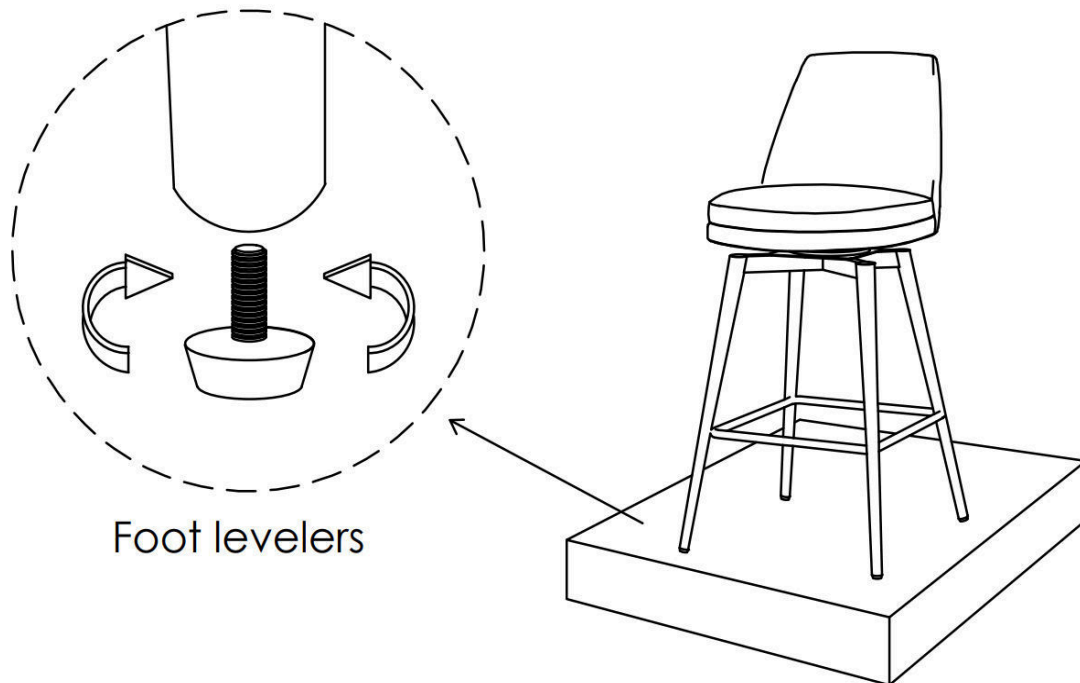
- ⑤ Turn assembled legs in step 3 upside down, and attach them to seat (A), using shortest bolts (G), lock washers(I), flat washers(J) and allen wrench(K).  
**Note: Tighten all bolts.**



- ⑥ Complimentary Felt Pads (L) are included to help protect your floor or make the chair slide easier. If needed, attach the complimentary Felt Pads (L) to the leg.



- ⑦ Turn assembled chair upright and place on a flat surface.  
**Note:** Each leg has an adjustable foot leveler to help level your chair.



- ⑧ Assembly complete. Enjoy.

