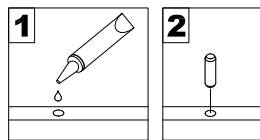


Assembly Instructions

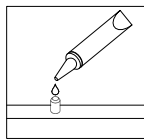


General Assembly Guidelines

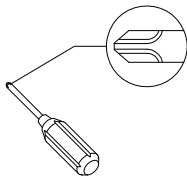
- I. Ensure that all parts and hardware are available before beginning assembly.
- II. Follow each step carefully to ensure the proper assembly of this product.
- III. Two people are recommended for ease in the assembly of this product.
- IV. The three main types of hardware used to assemble this product are: wood dowels, screws and bolts.
- V. The provided glue is to secure wood dowels in place. When first inserting dowels, locate the appropriate hole for the dowel, place a small amount of glue in the hole and insert the dowel. Wipe away excess glue immediately.



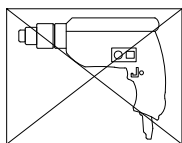
In future assembly steps when dowels are necessary to attach assembly parts together, place a small amount of glue on the end of the dowel before attaching parts together. Wipe away excess glue immediately.



- VI. A Phillips head screwdriver is required for the assembly of this product .

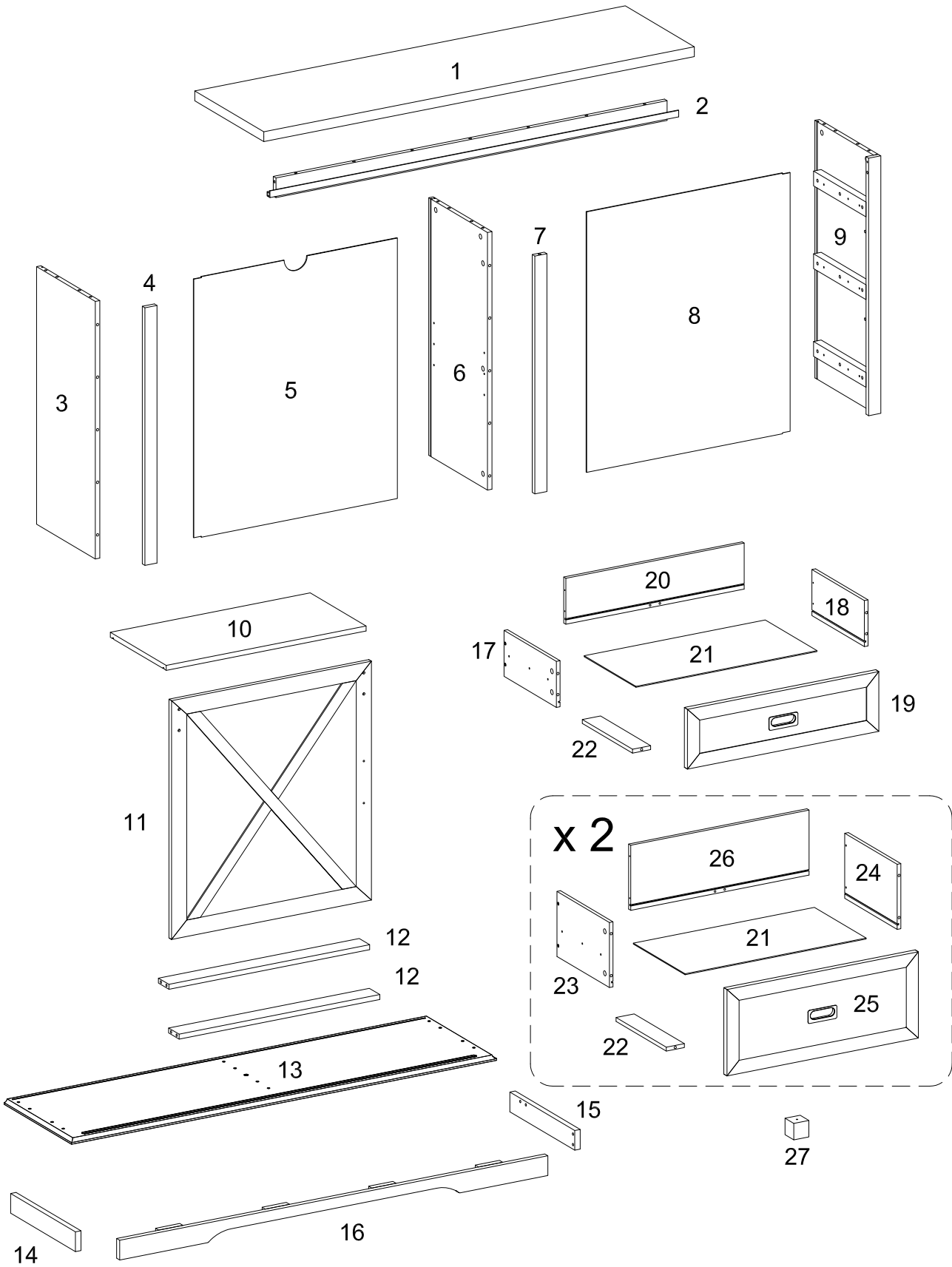


- VII. Power tools should not be used to assemble this product.


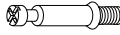



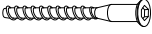


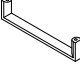
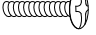
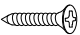
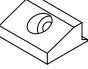

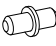

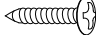


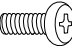




- VIII. Drill may be needed for securing product to wall.

Parts List

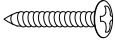





Hardware List

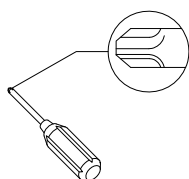
A		Ø8x30mm	Wooden dowel	26	pcs
B		Ø6x35mm	Cam bolt	37	pcs
C		Ø15x11mm	Cam lock	22	pcs
D		Ø15x9mm	Cam lock	15	pcs
E		Ø30mm	Sticker	40	pcs
F		Ø6x50mm	Screw	7	pcs
G		M6x13mm	Bolt	16	pcs
H		M 4	Hex key	1	pc
J			Handle	1	pc
K		Ø4x22mm	Handle Bolt	2	pcs
L		Ø3x17mm	Screw	8	pcs
M			Plastic wedge	8	pcs
N		Ø4x32mm	Screw	18	pcs
P			Shelf support pin	4	pcs
Q		Ø3x12mm	Screw	36	pcs
R		Ø4x12mm	Screw	6	pcs
S			Plastic wedge	8	pcs
T			Pulley	2	pcs
U		Ø1/4"x13mm	Bolt	4	pcs
V			Plate	2	pcs
W			Glue tube	1	pc

*The hardware quantities listed above are required for proper assembly.
Some extra hardware may also have been included.*

Hardware List

X		Ø4x25mm	Screw	2	pcs
Y			Plastic strap	2	pcs
Z			Nut	2	pcs
AA			Drawer slider	3	sets

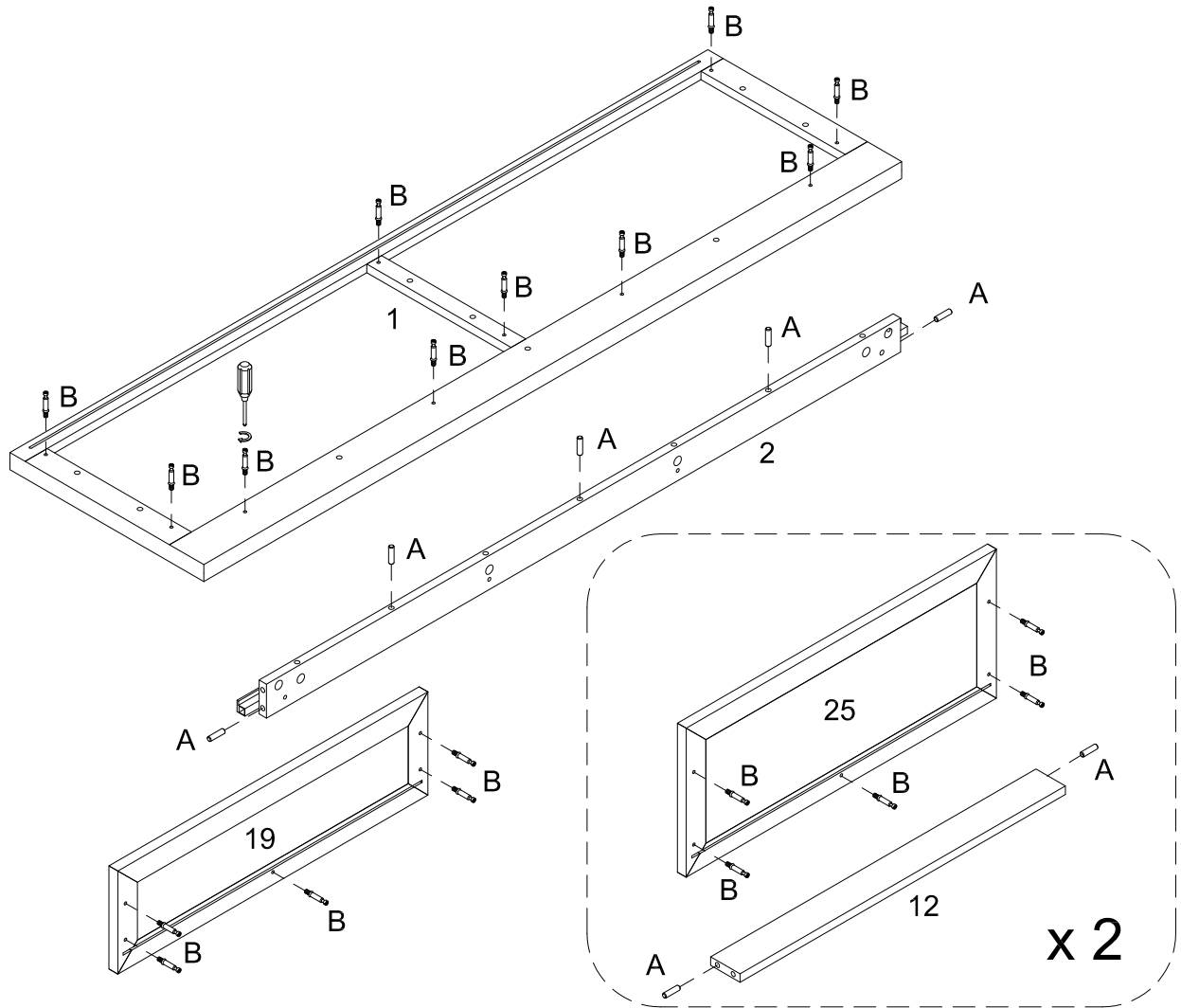
* Note: This piece comes preassembled for shipping purposes and must be disassembled to complete the desk assembly.



Philips head screwdriver required for assembly
(not included)

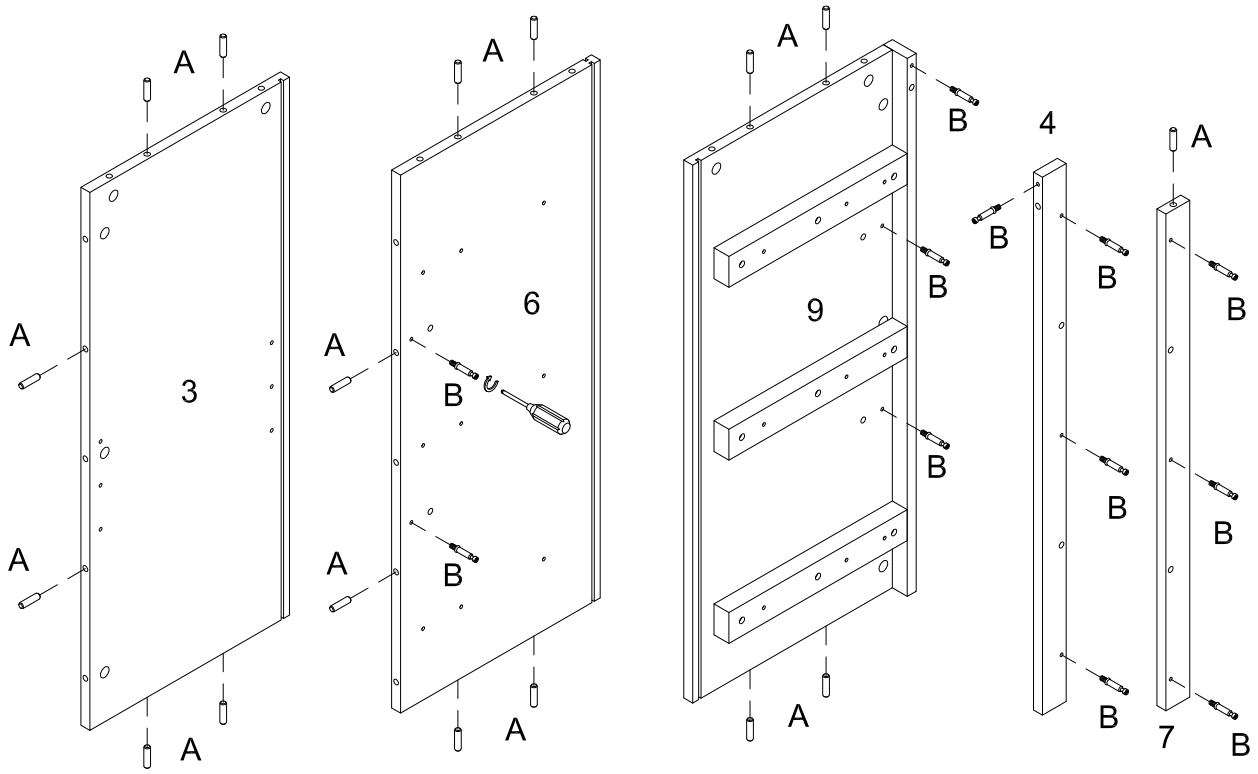
*The hardware quantities listed above are required for proper assembly.
Some extra hardware may also have been included.*

Step 1



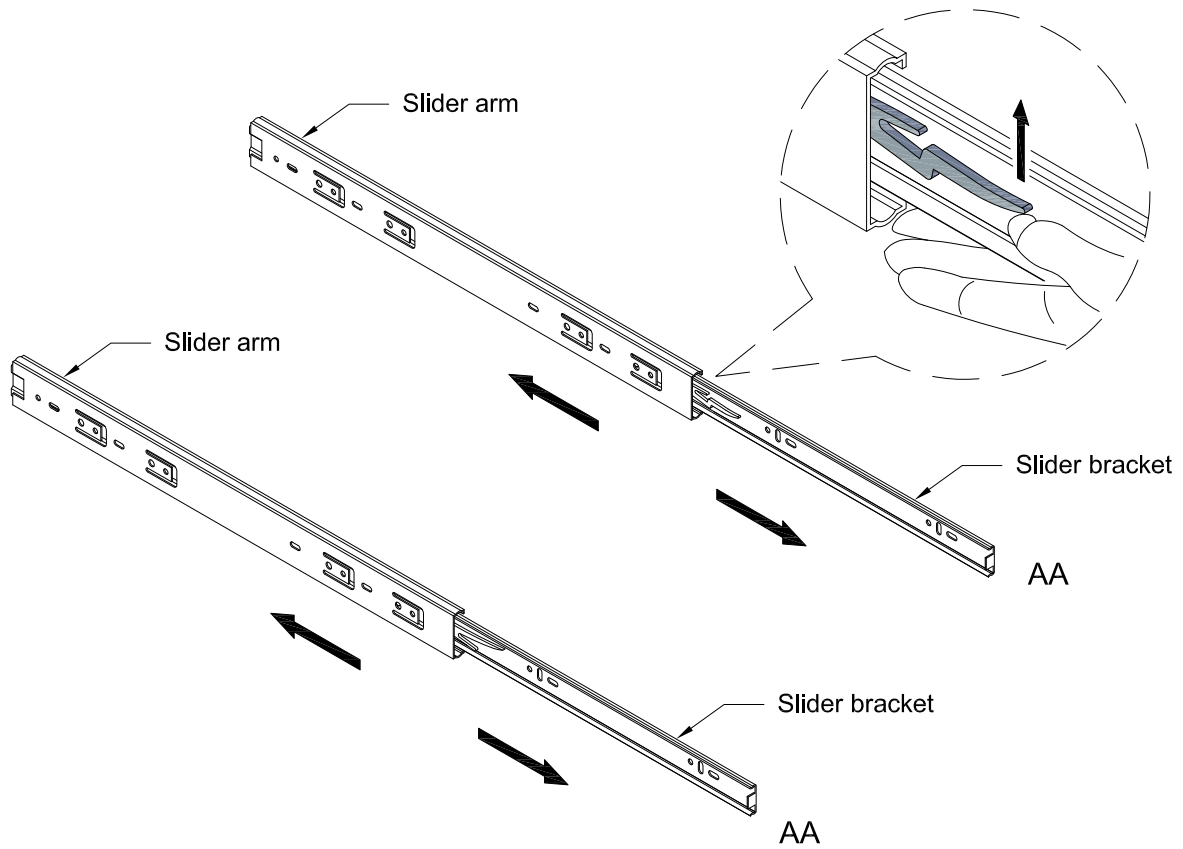
Insert wooden dowel (A) into parts (2,12) ,then secure cam bolt (B) into parts (1,19,25) with Philips head screwdriver as per diagram.

Step 2



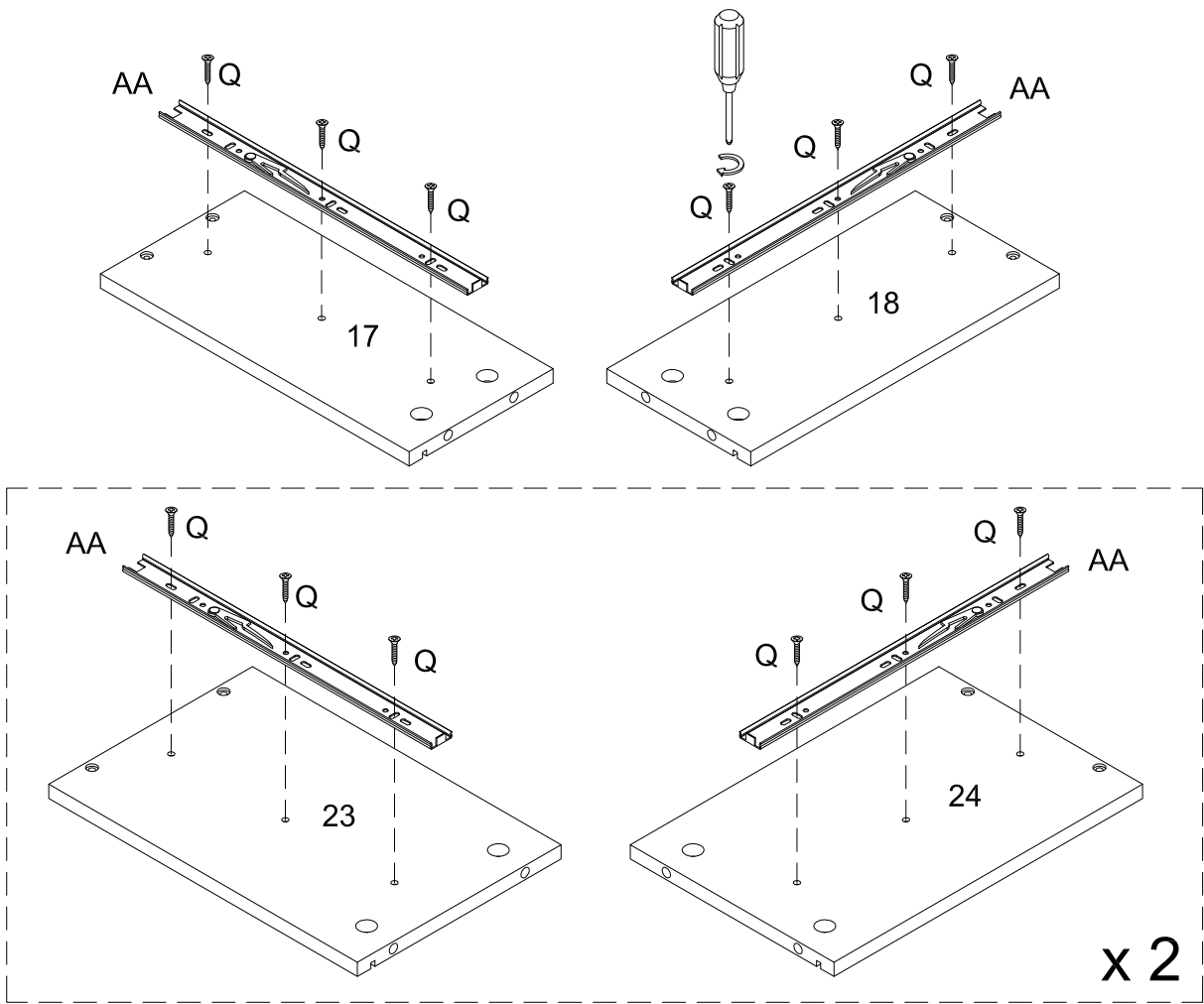
Insert wooden dowel (A) into parts (3,6,7,9) ,then secure cam bolt (B) into parts (4,6,7,9) with Philips head screwdriver as per diagram.

Step 3



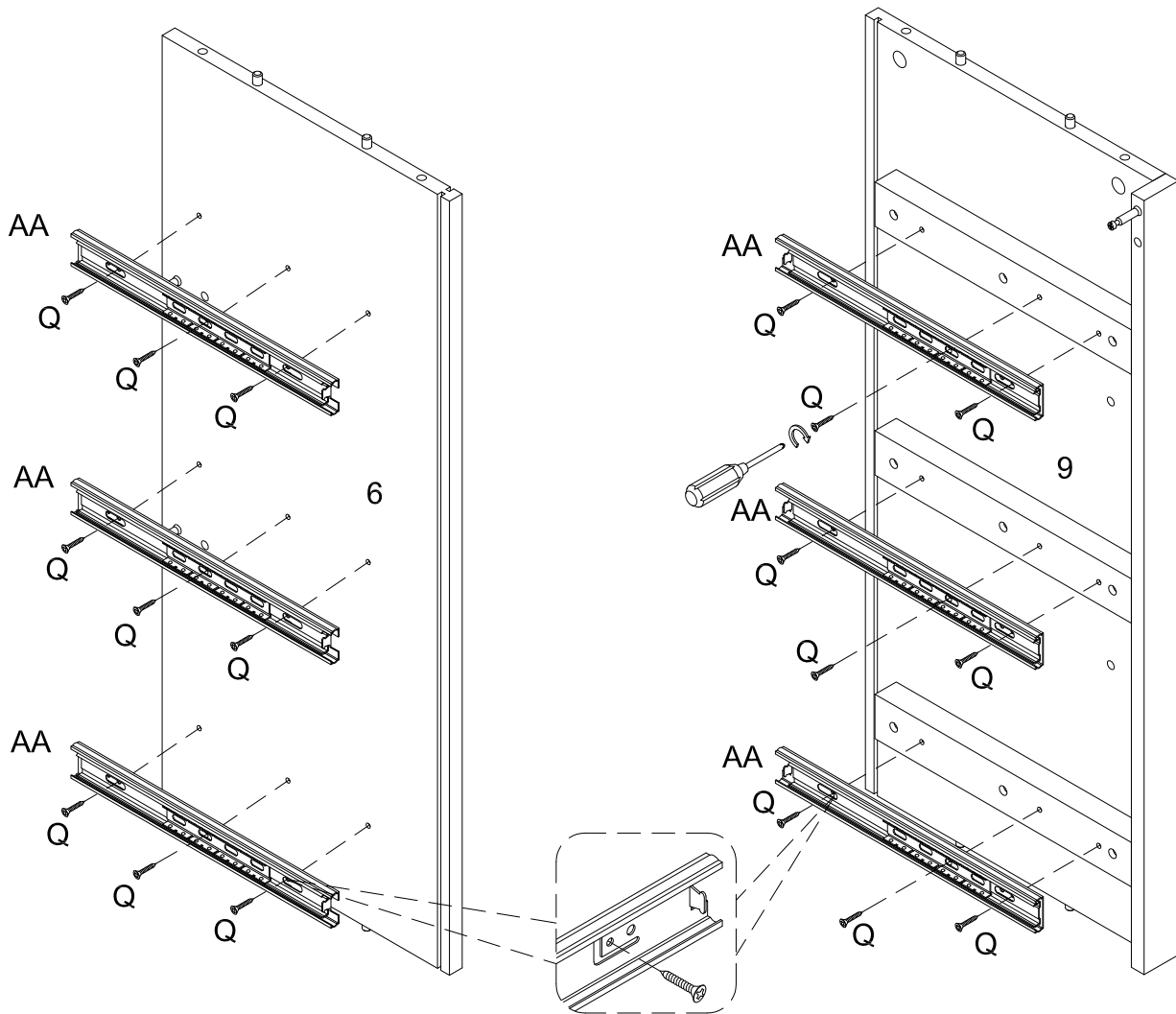
Pick up the slider (AA) and separate the slider arm and slider bracket for the following steps. Extend the Slide .Runner all the way forward,press the plastic release lever of the slider bracket and pull out the Slider bracket complete.

Step 4



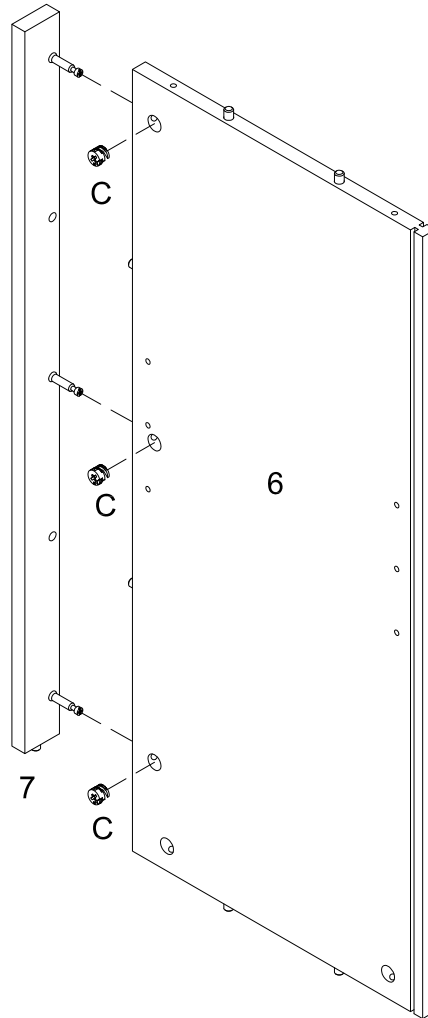
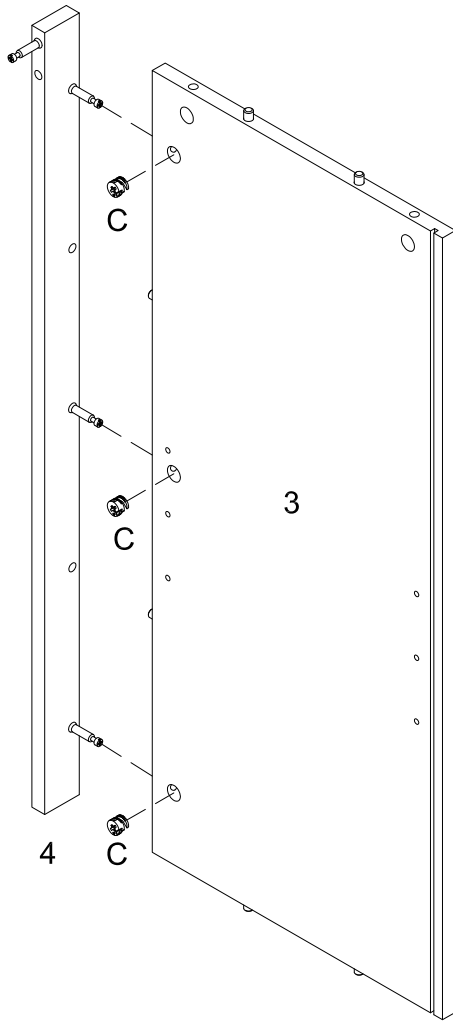
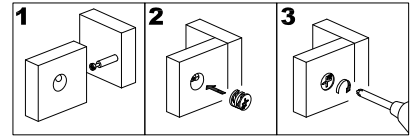
Using screw (Q) secure drawer slider (AA) to parts (17,18,23,24) with Philips head screwdriver as per diagram.

Step 5



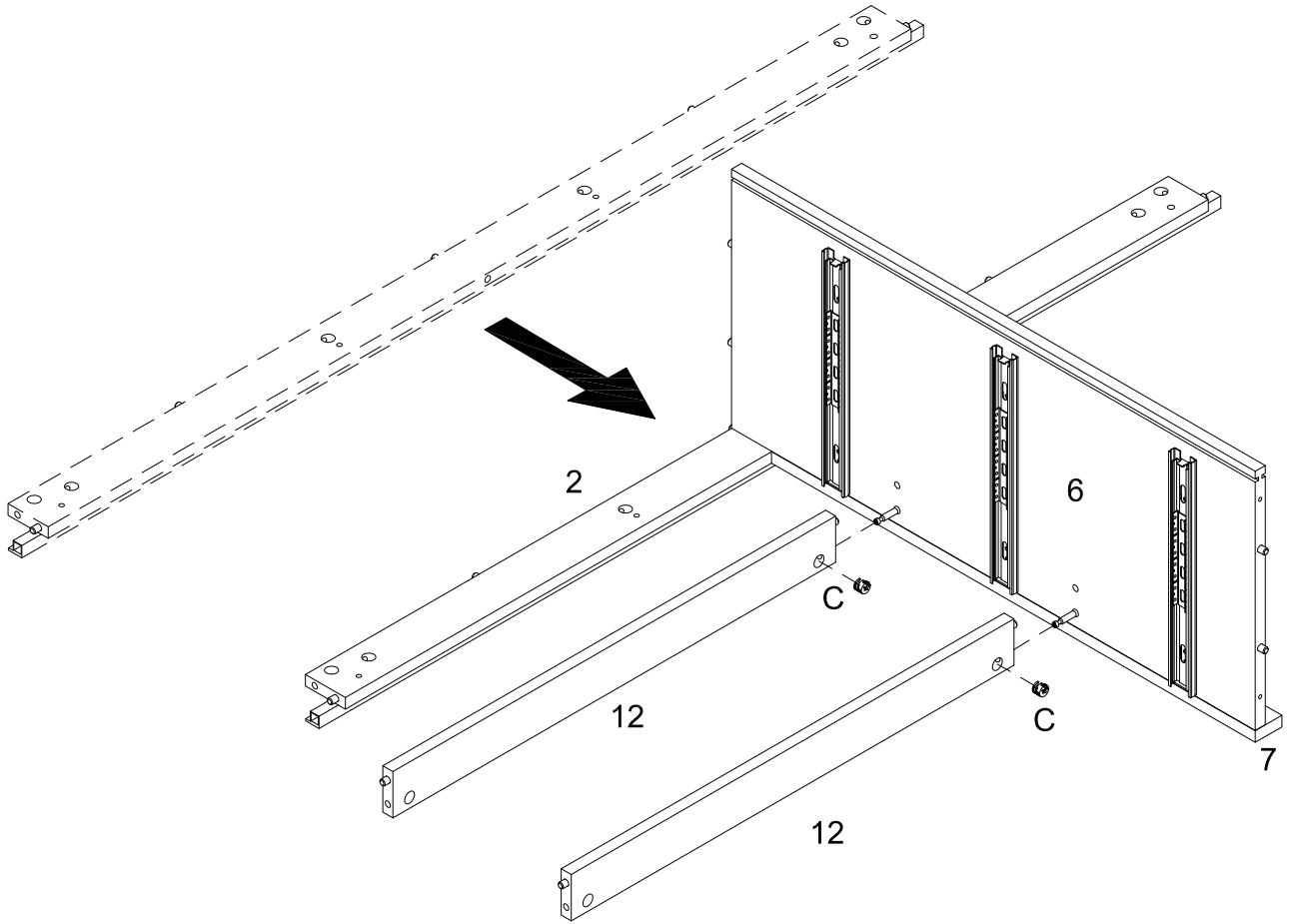
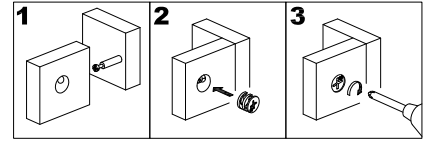
Using screw (Q) secure drawer slider (AA) to parts (6,9) with Philips head screwdriver as per diagram.

Step 6



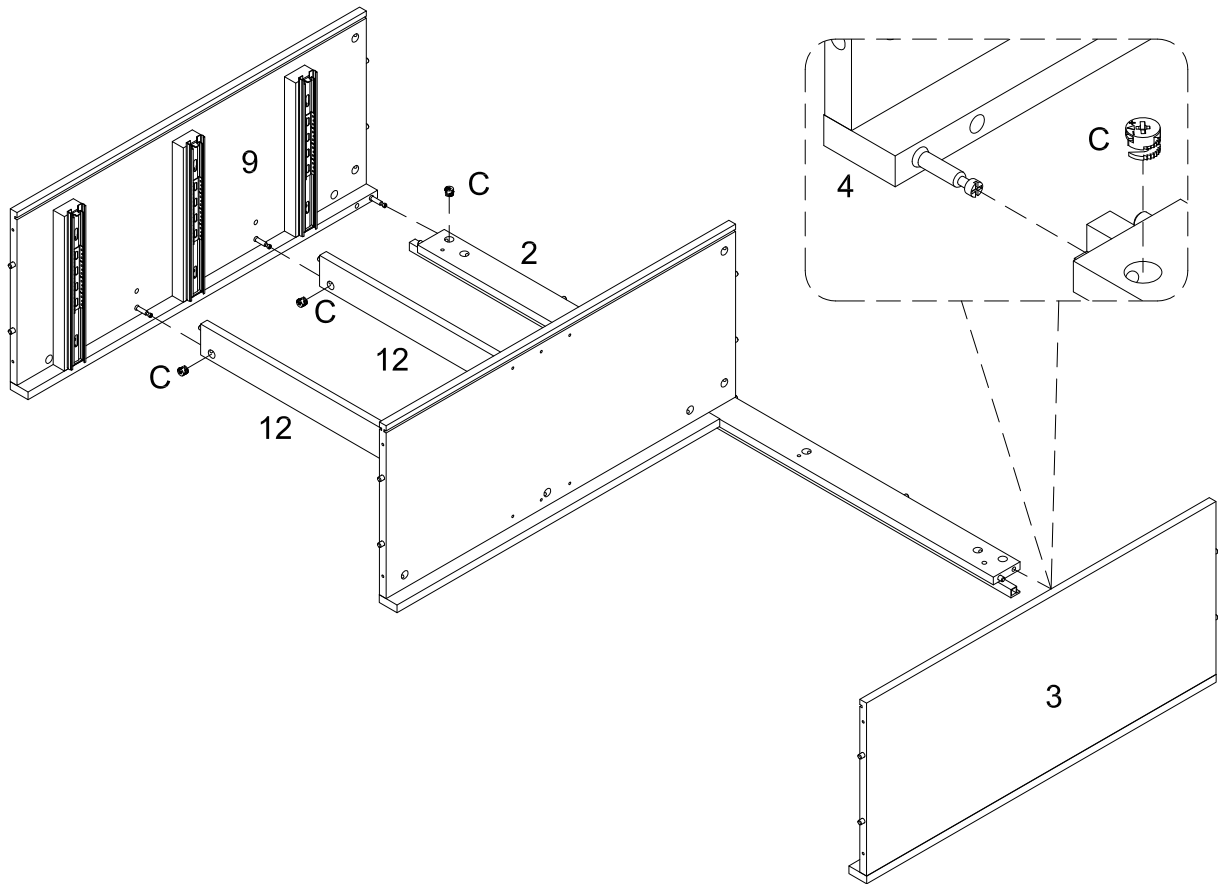
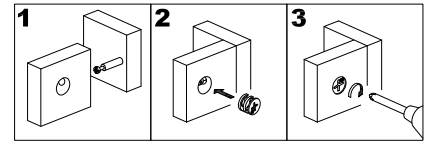
Using Cam lock(C) secure part (4) to part (3) ,part (7) to part (6) with Philips head screwdriver as per diagram.

Step 7



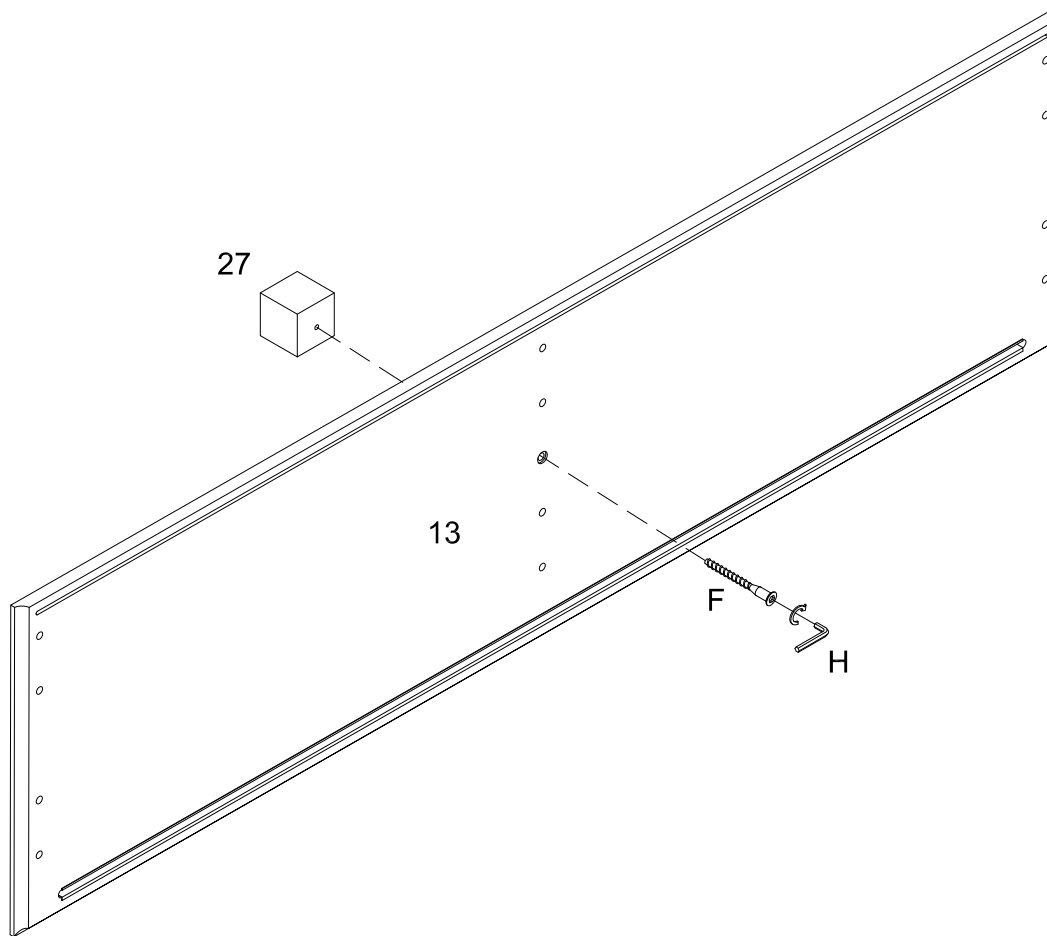
Attach part (2) to part (7), then using Cam lock (C) secure part (12) to part (6) with Philips head screwdriver as per diagram.

Step 8



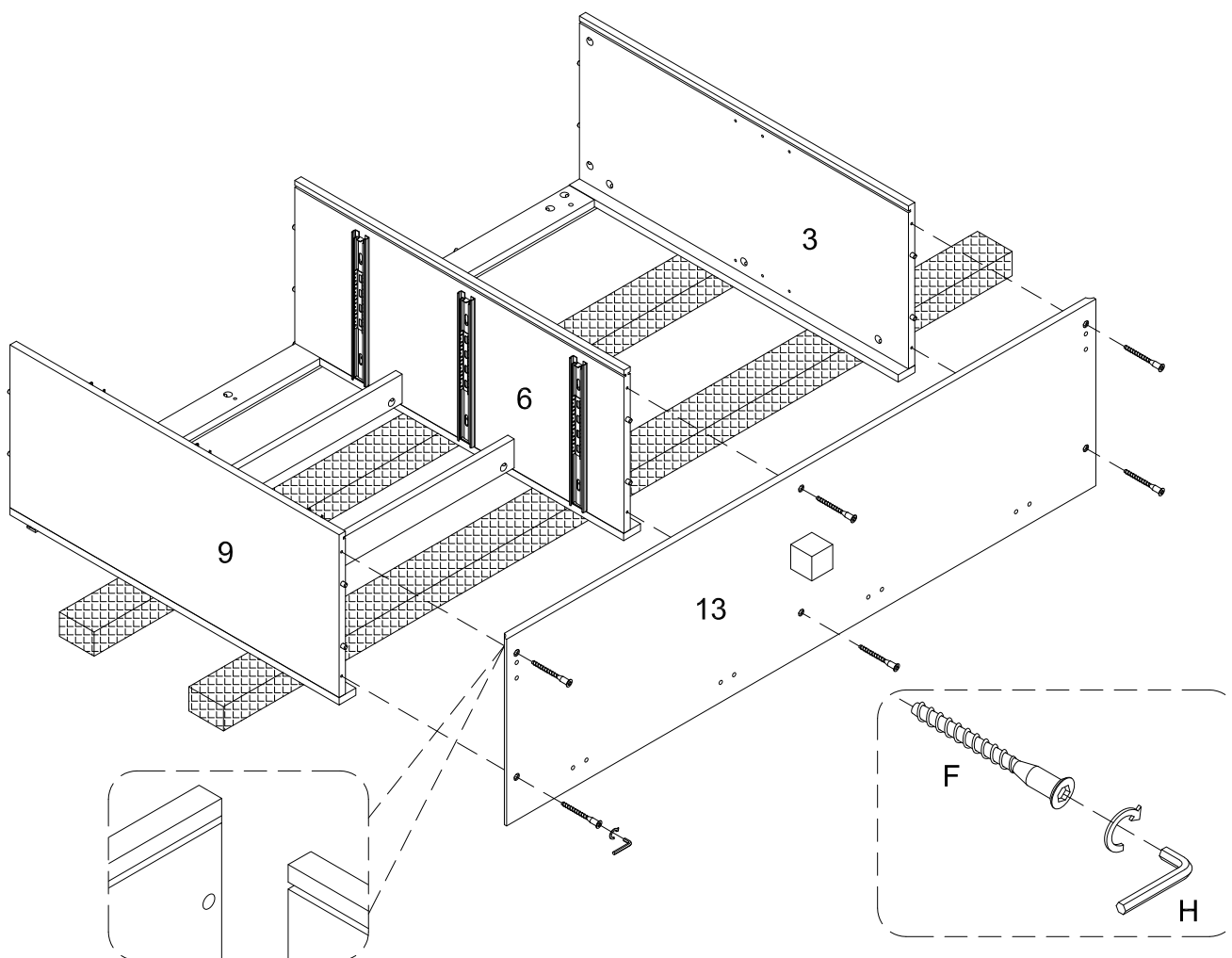
Using Cam lock(C) secure parts (2,12) to part (9) ,parts (3,2) to part (3) with Philips head screwdriver as per diagram.

Step 9



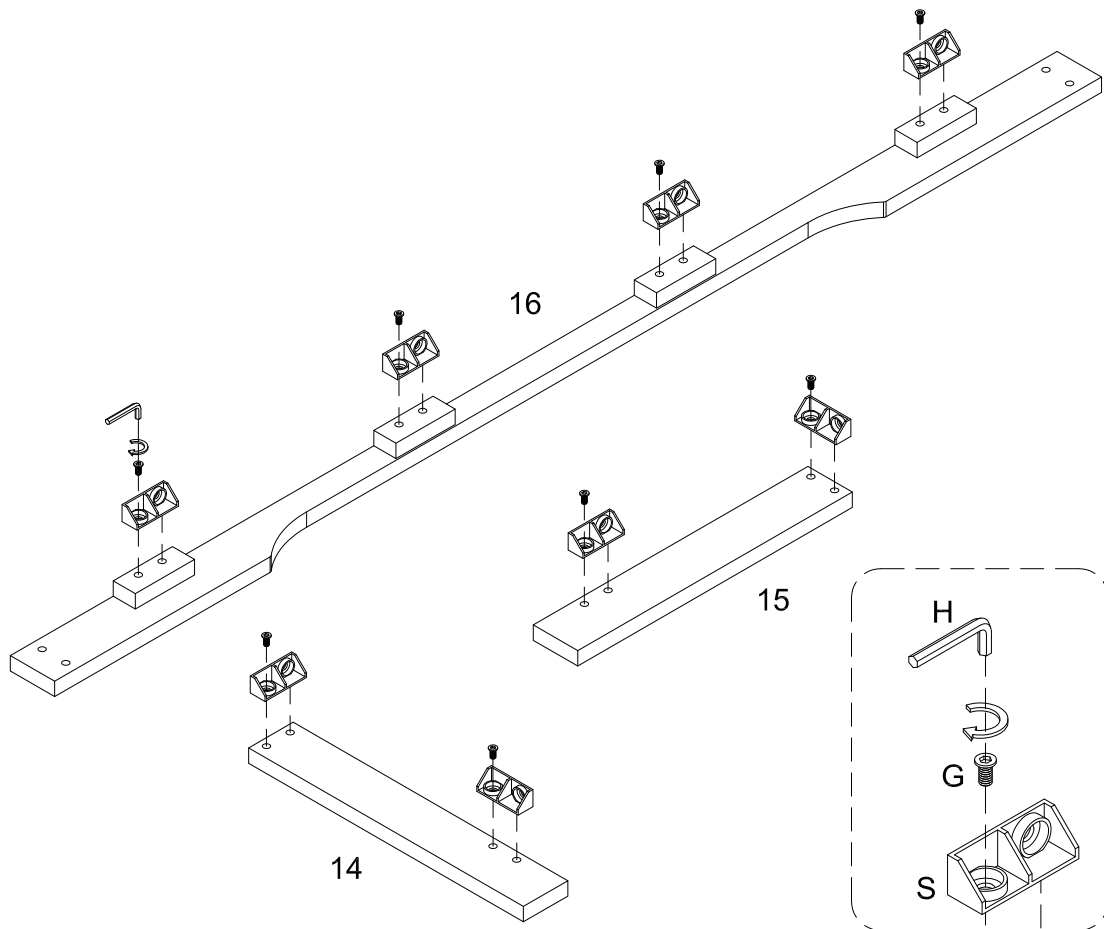
Using screw (F) attach part (27) to part (13) with Hex Key (H) as per diagram.

Step 10



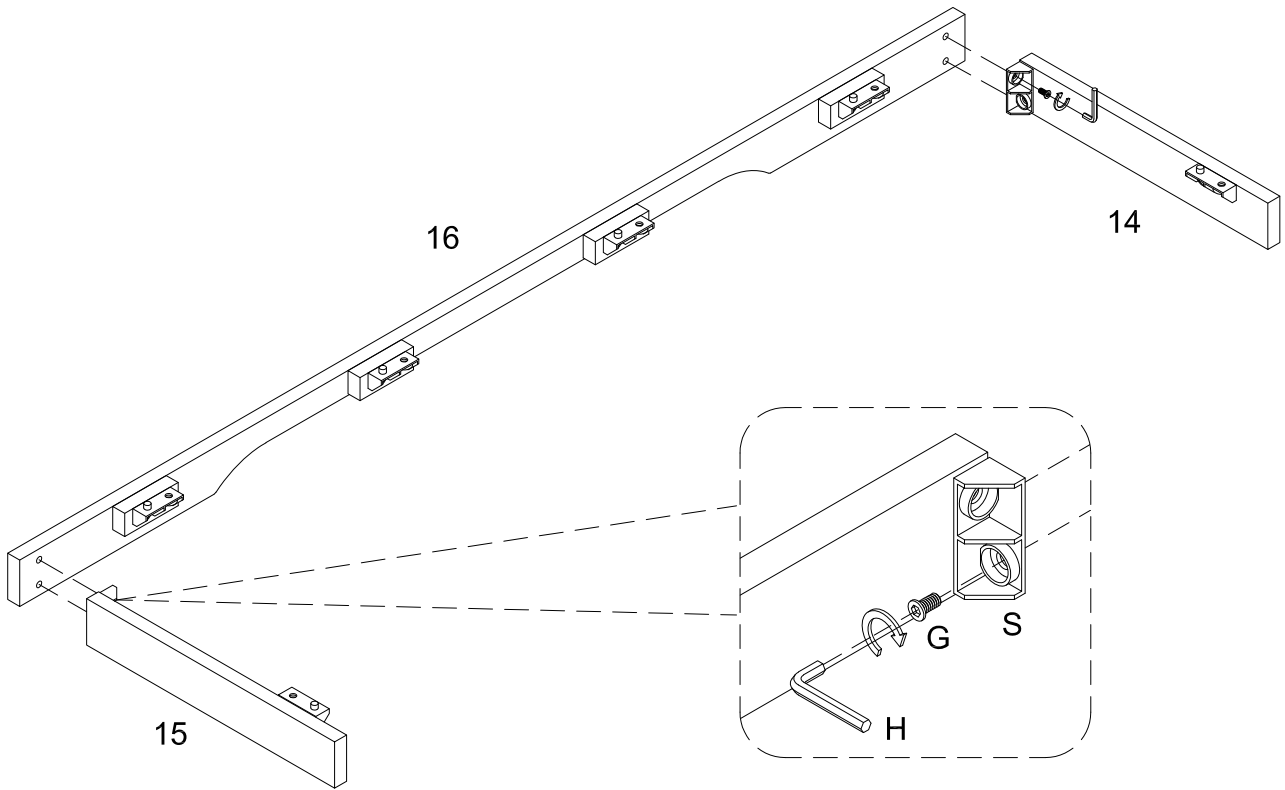
Using screw (F) attach part (13) to parts (3,6,9) with hex key (H) as per diagram.

Step 11



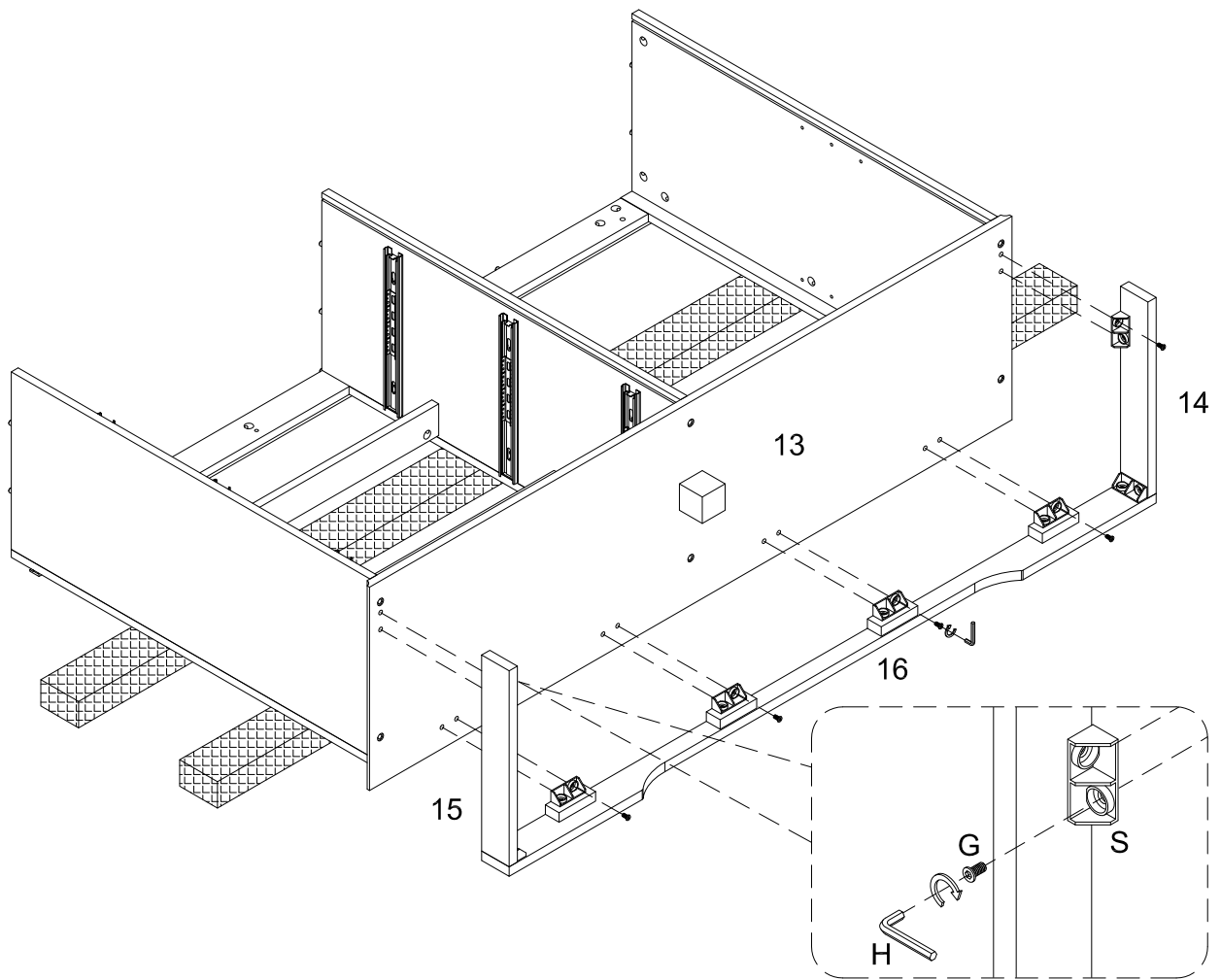
Using bolt (G) secure plastic wedge (S) into parts (14,15,16) with Hex key (H) as per diagram.

Step 12



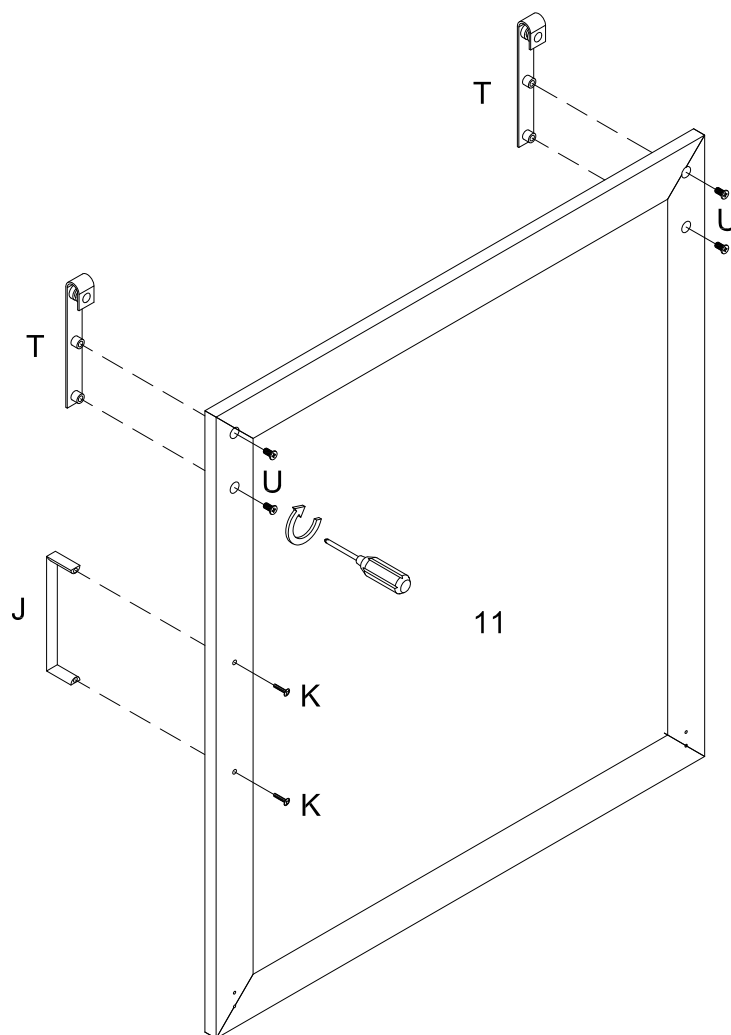
Using bolt (G) secure plastic wedge (S) into part(16) with Hex key (H) as per diagram.

Step 13



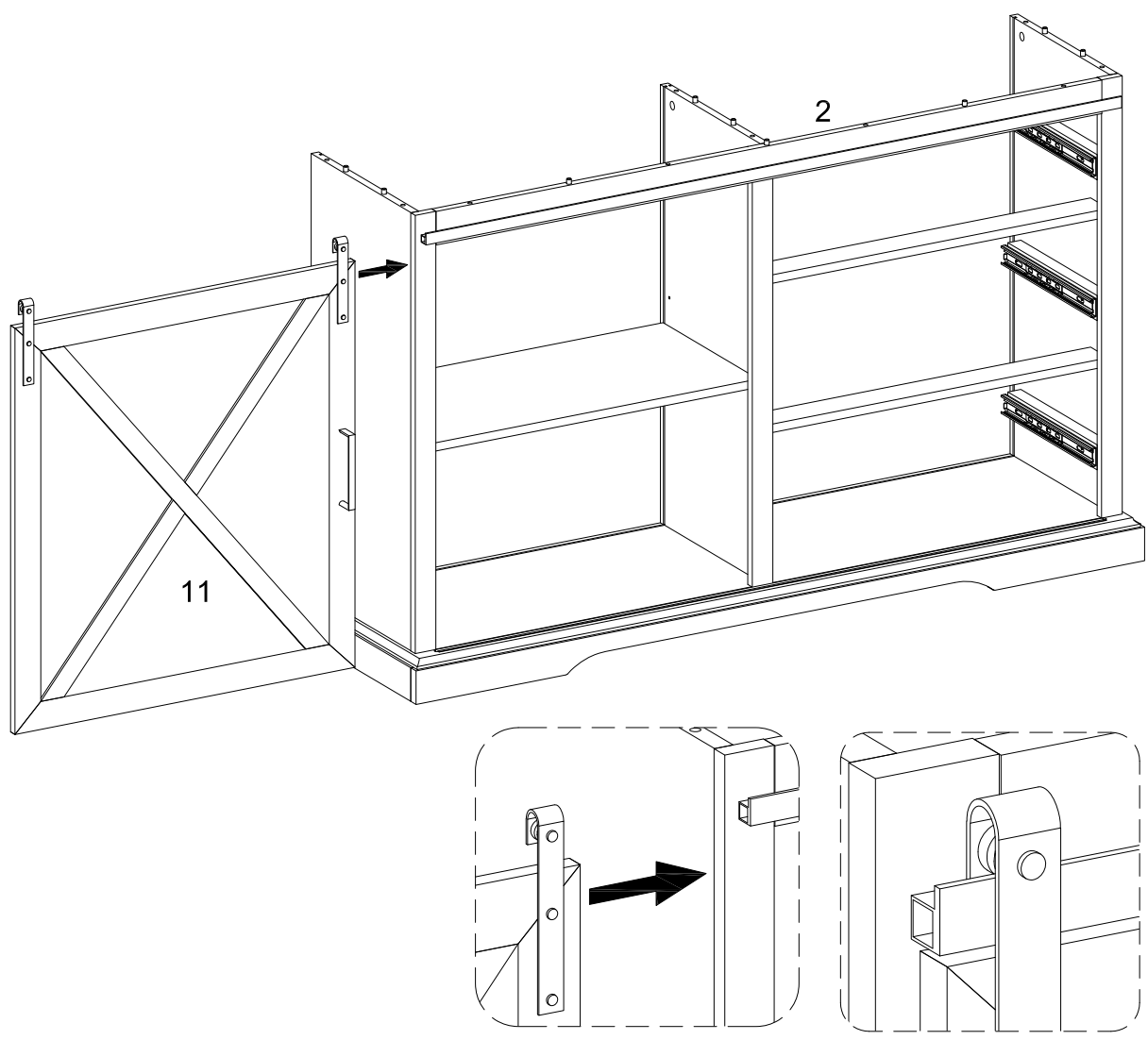
Using bolt (G) secure plastic wedge (S) into part (13) with Hex key (H) as per diagram.

Step 14



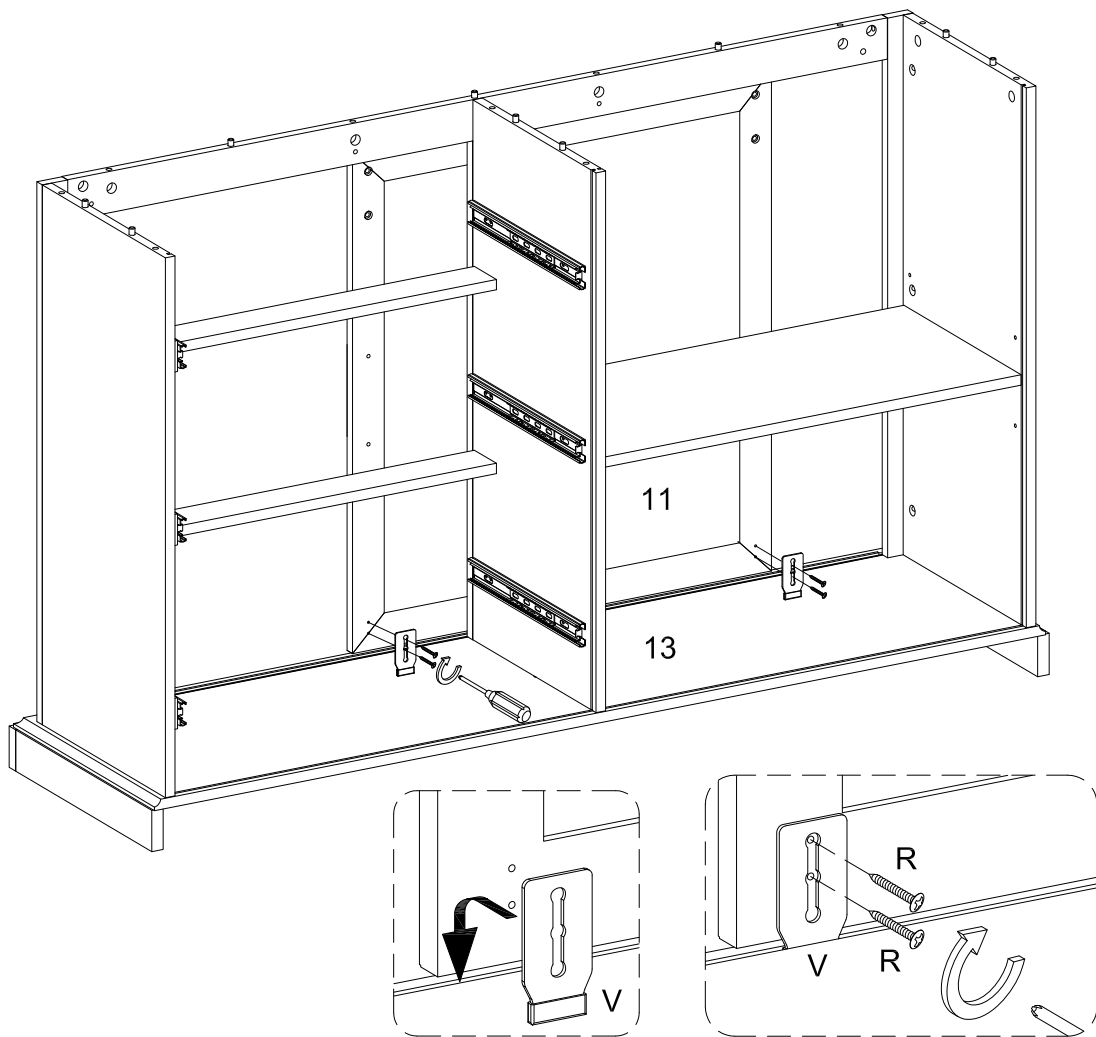
Using bolt (U) secure Pulley (T) into part (11) ,and using bolt (K) secure Handle (J) into parts (11) with Philips head screwdriver as per diagram.

Step 15



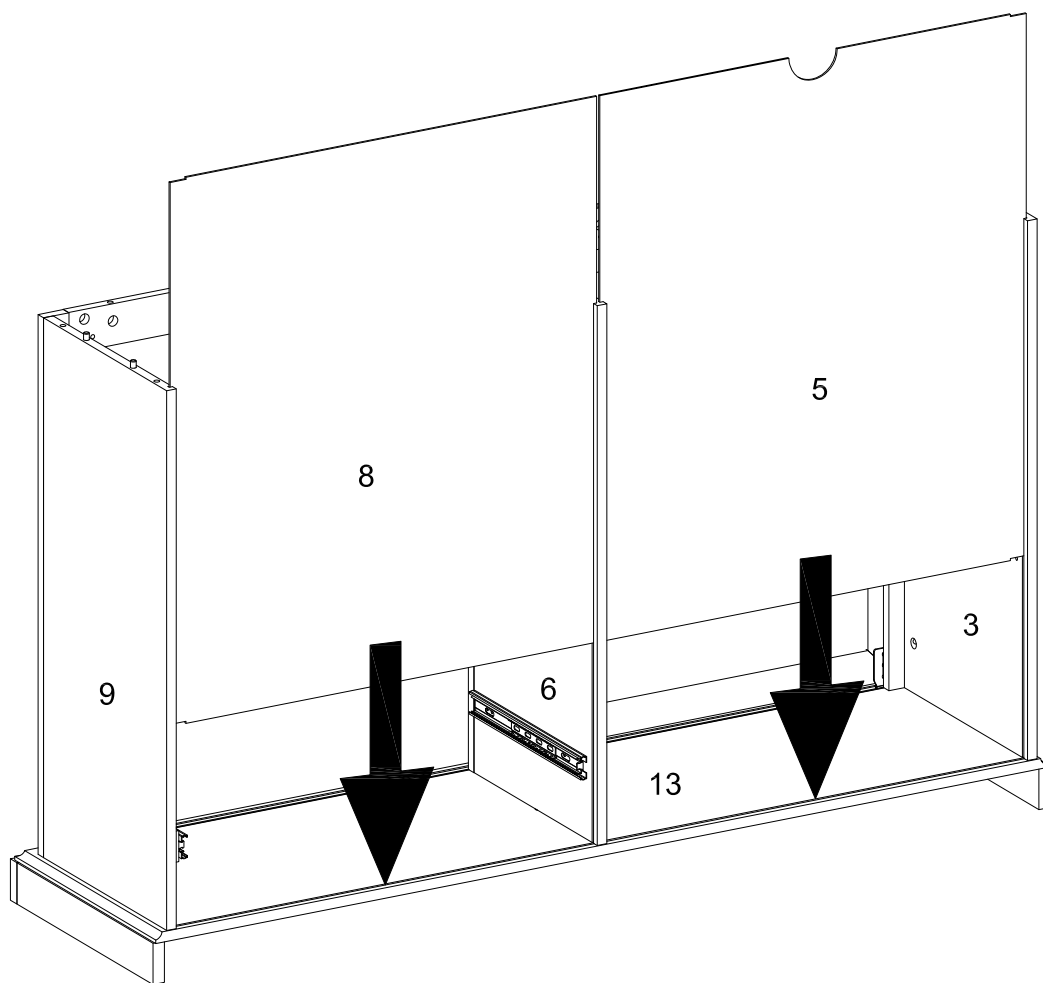
Pick up the door (11), and fit the pulley over the slider rails on part (2) as per diagram.

Step 16



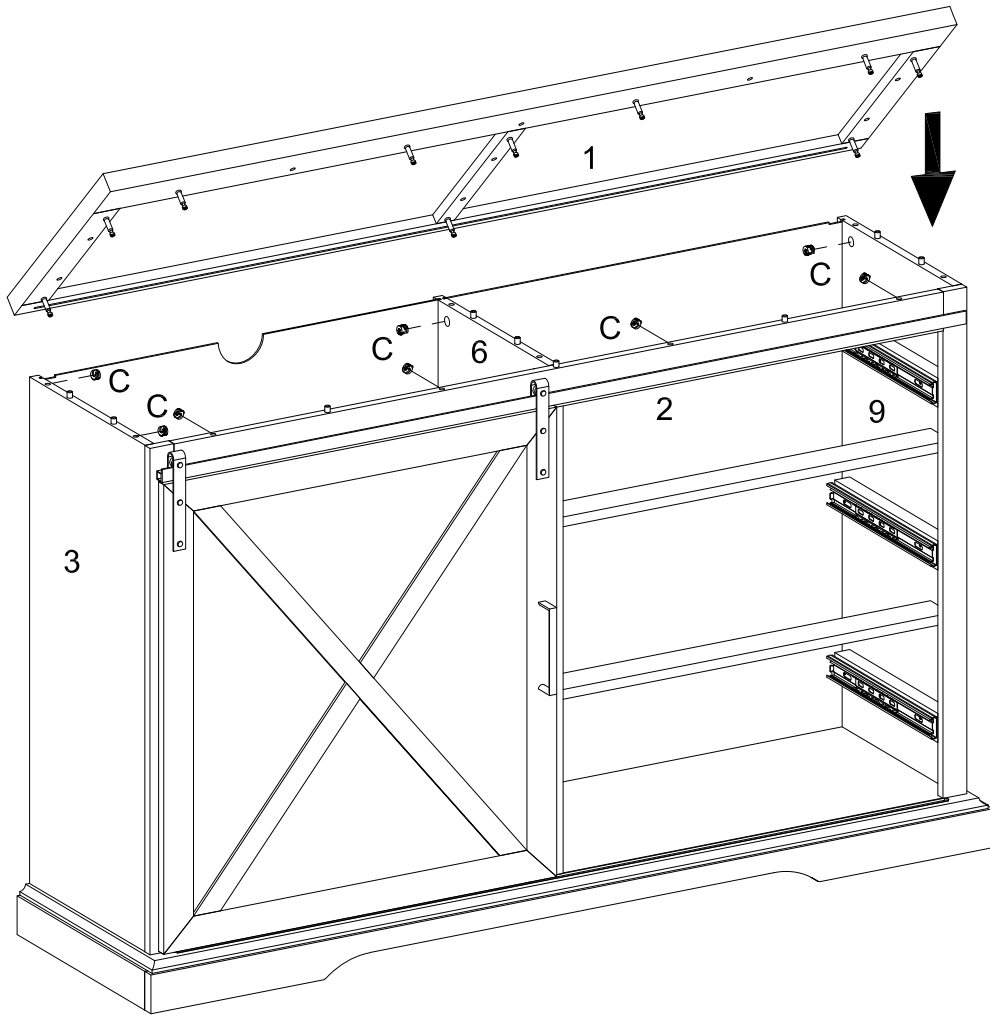
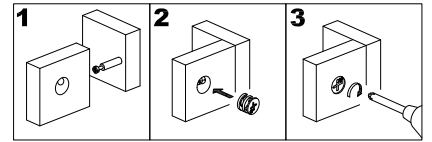
Place the plate (V) into the slider rail on the bottom panel, using screw (R) attach plate (V) to part (11) with Philips head screwdriver as per diagram.
Slide the door to the left and right to make sure the door slide smoothly. If necessary adjust the screws for the door sliding smoothly.

Step 17



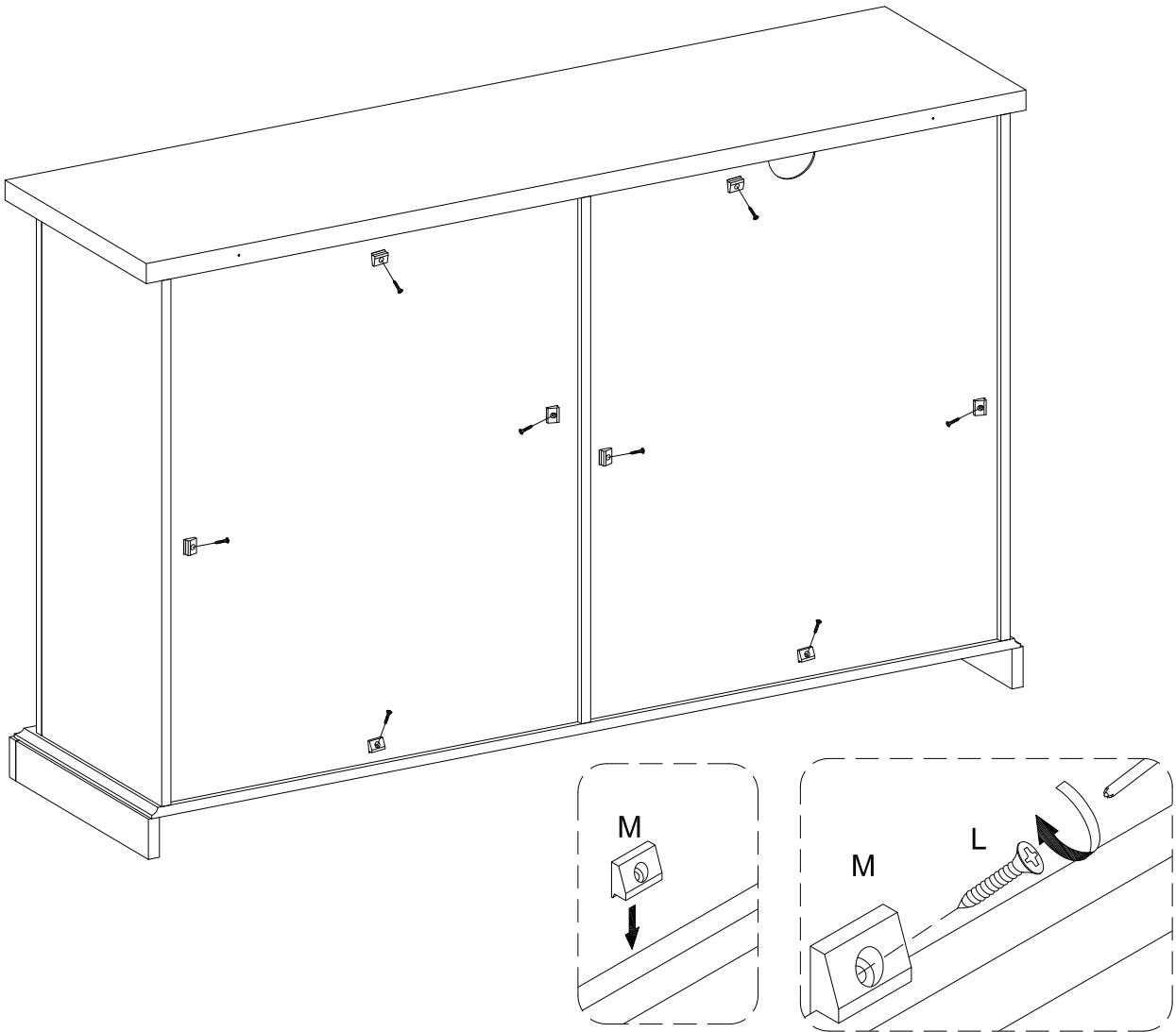
Put parts (5,8) as per diagram.

Step 18



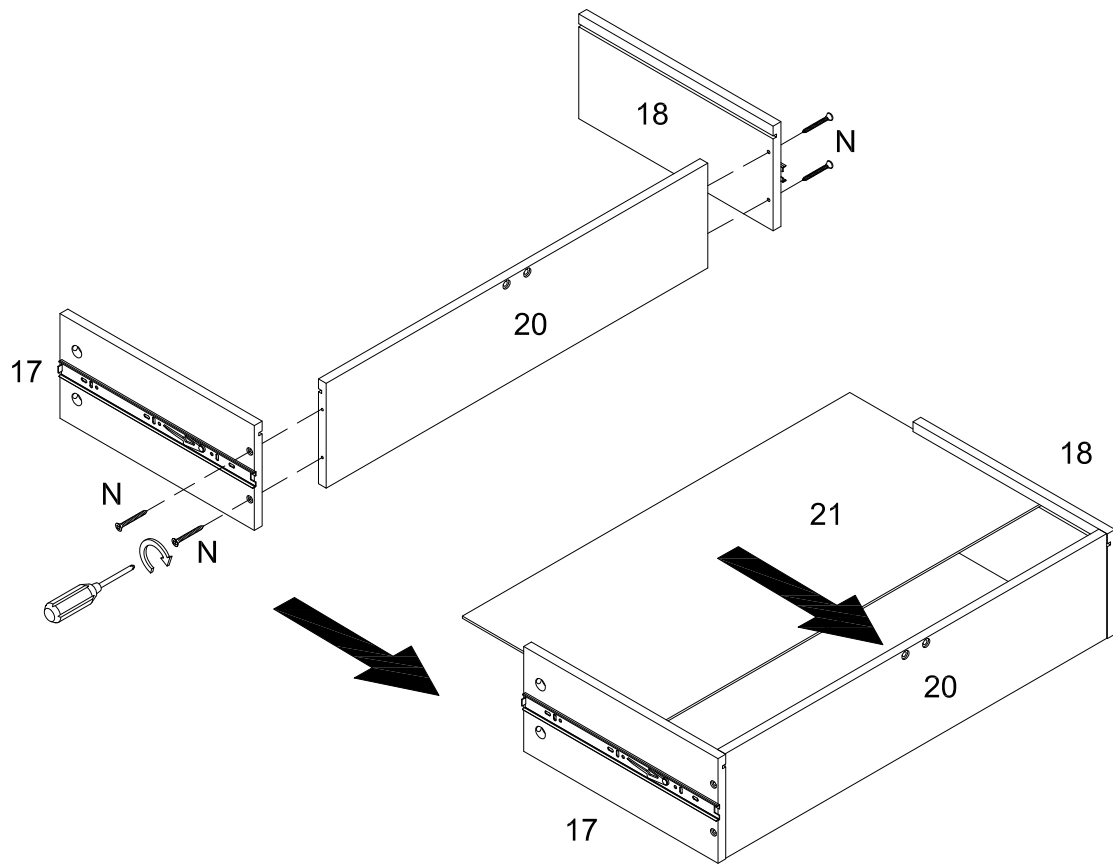
Using Cam lock (C) secure part (1) into parts (2,3,6,9) with Philips head screwdriver as per diagram.

Step 19



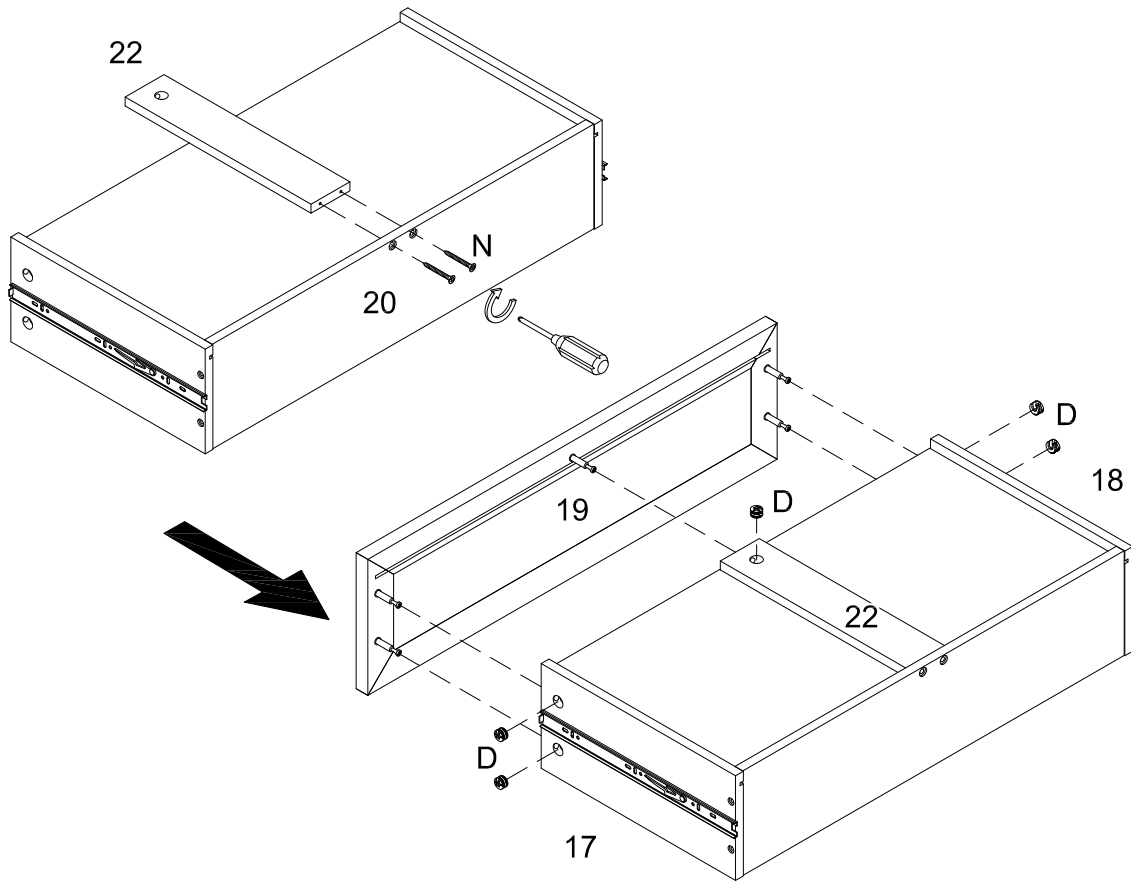
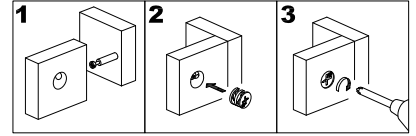
Using screw (L) secure plastic wedge (M) with Philips head screwdriver as per diagram.

Step 20



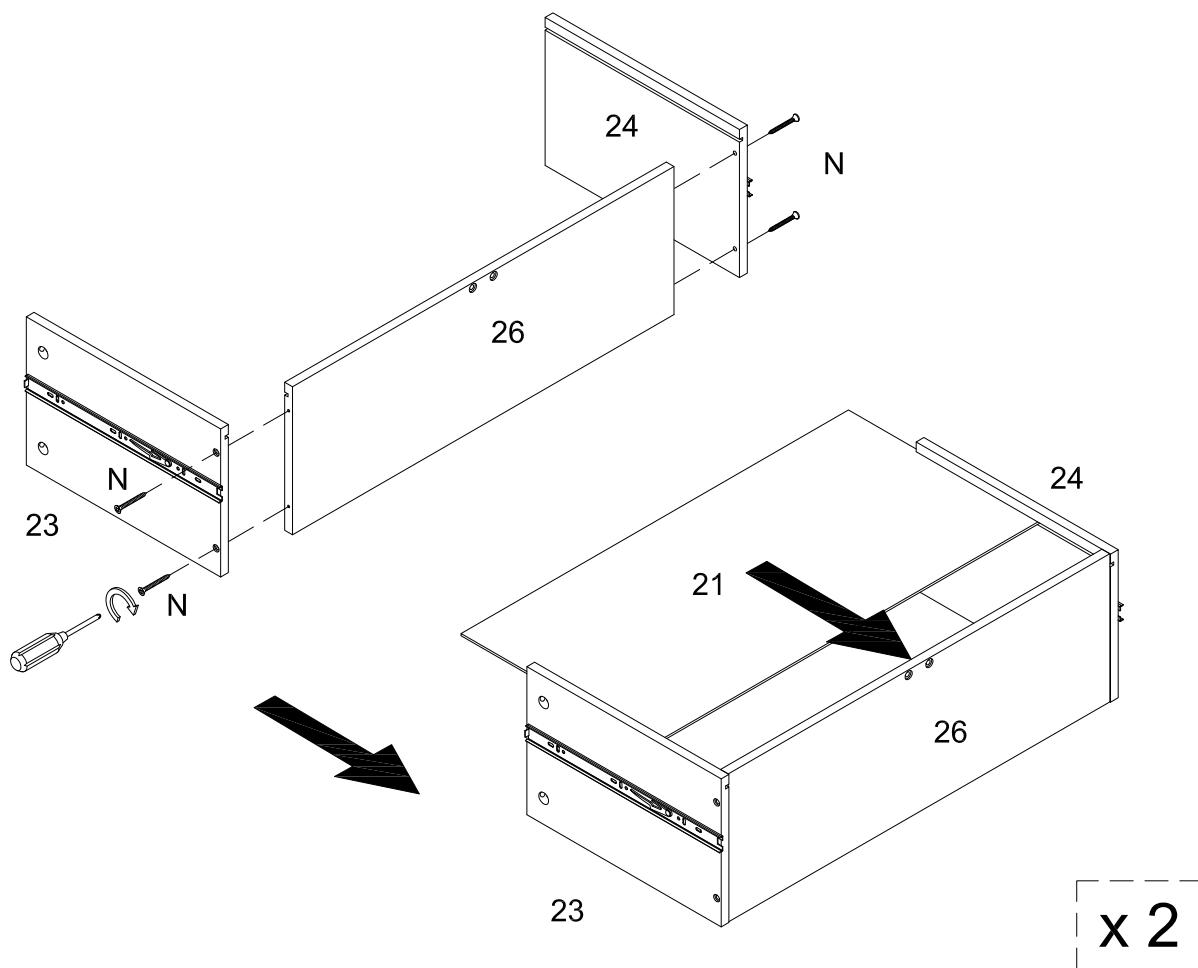
Using screw (N) attach parts (17,18) to part (20) with Philips head screwdriver ,then put part (21) as per diagram.

Step 21



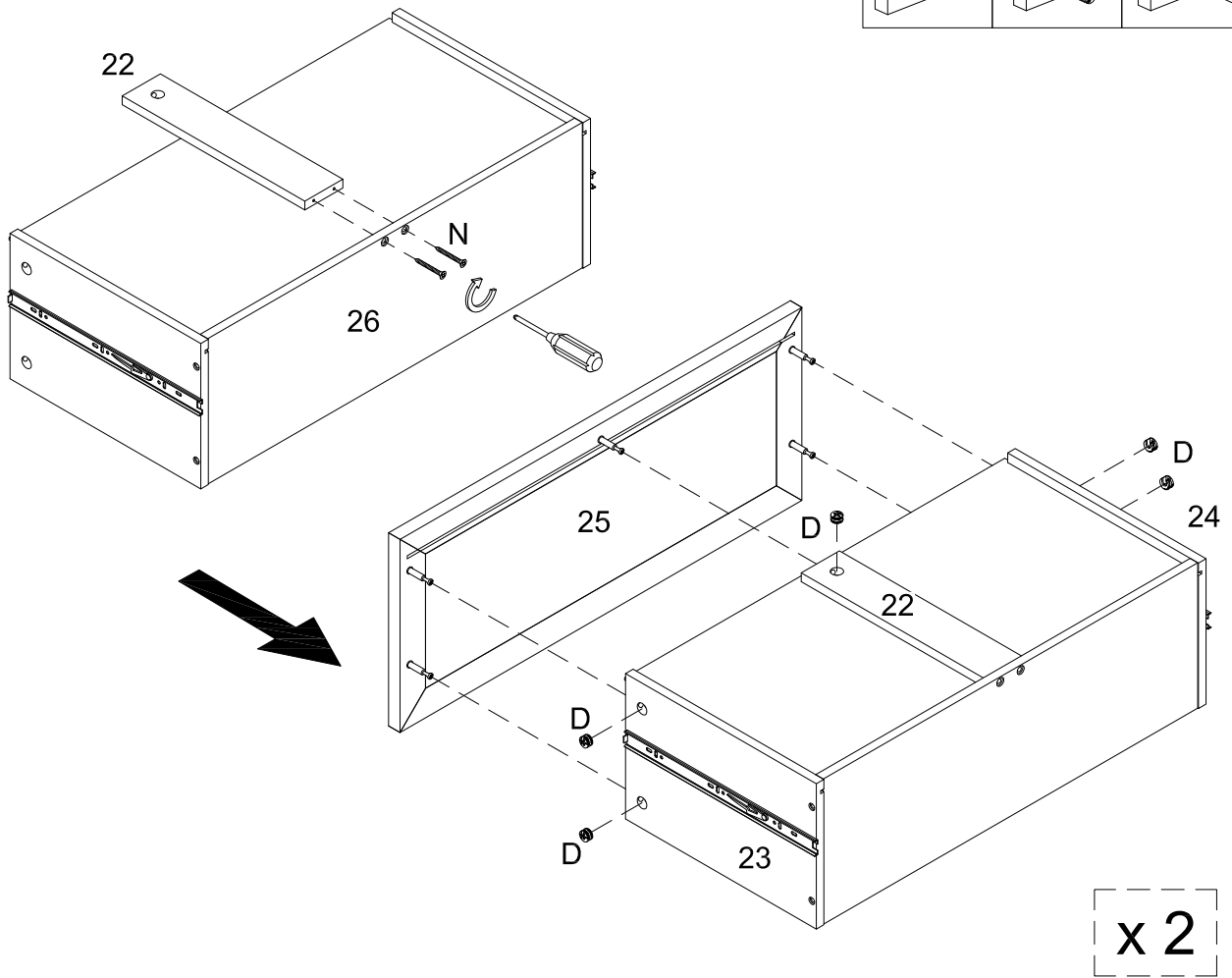
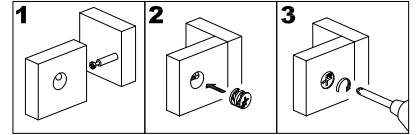
Using screw (N) attach part (20) to part (22) ,then using cam lock (D) secure part (19) to parts(17,18,22) with Philips head screwdriver as per diagram.

Step 22



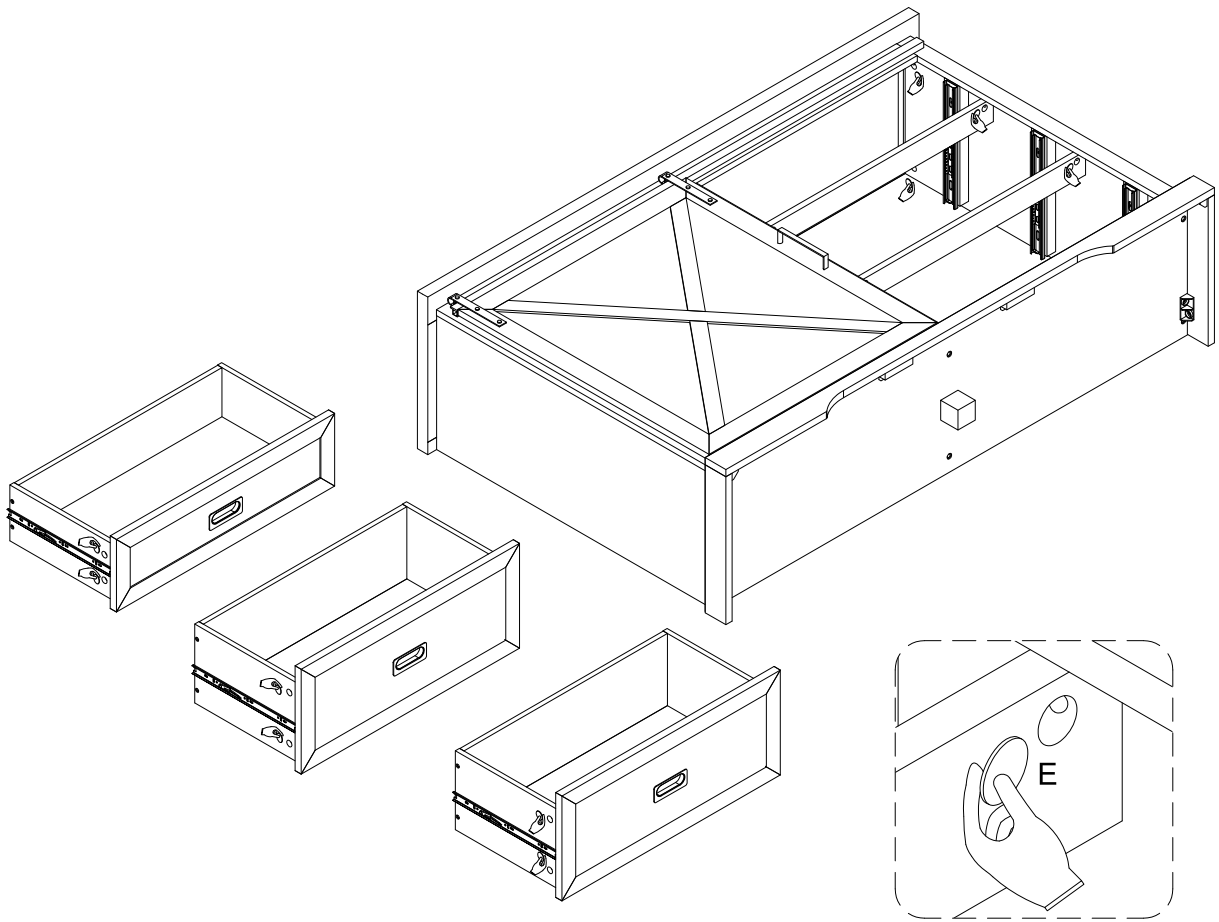
Repeat the action as per step 20 diagram.

Step 23



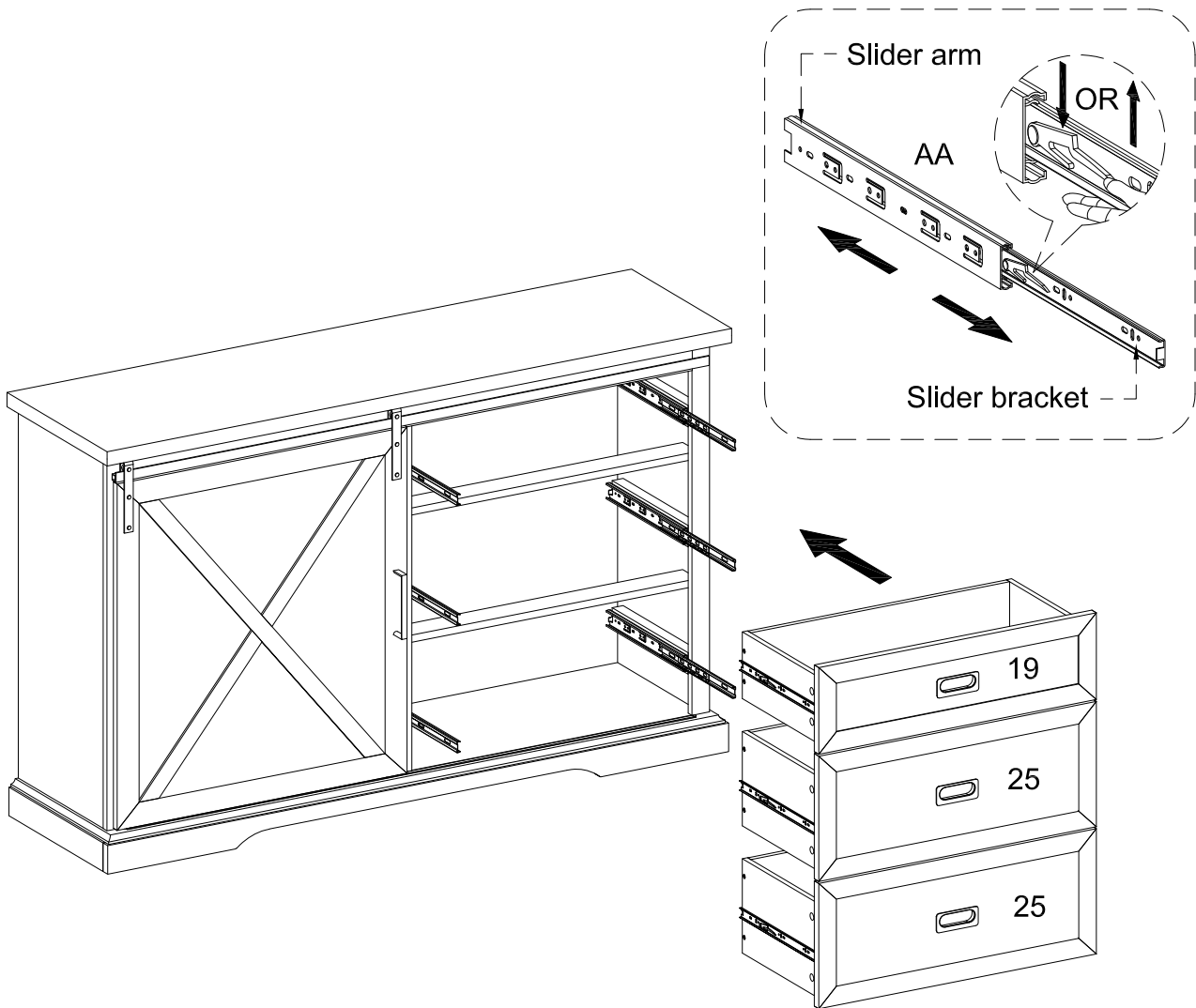
Repeat the action as per step 21 diagram.

Step 24



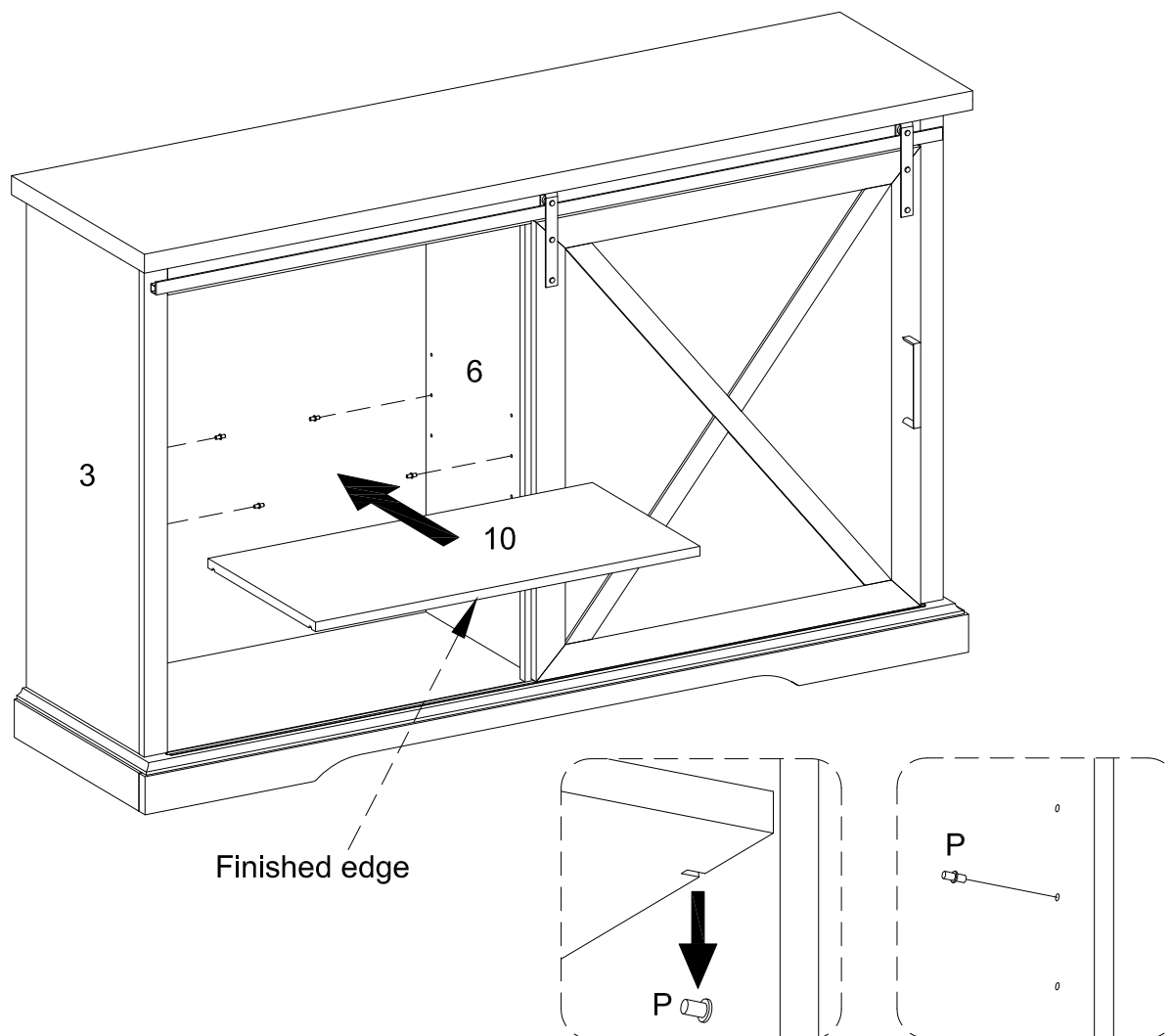
Place sticker (E) cover the holes as per diagram .

Step 25



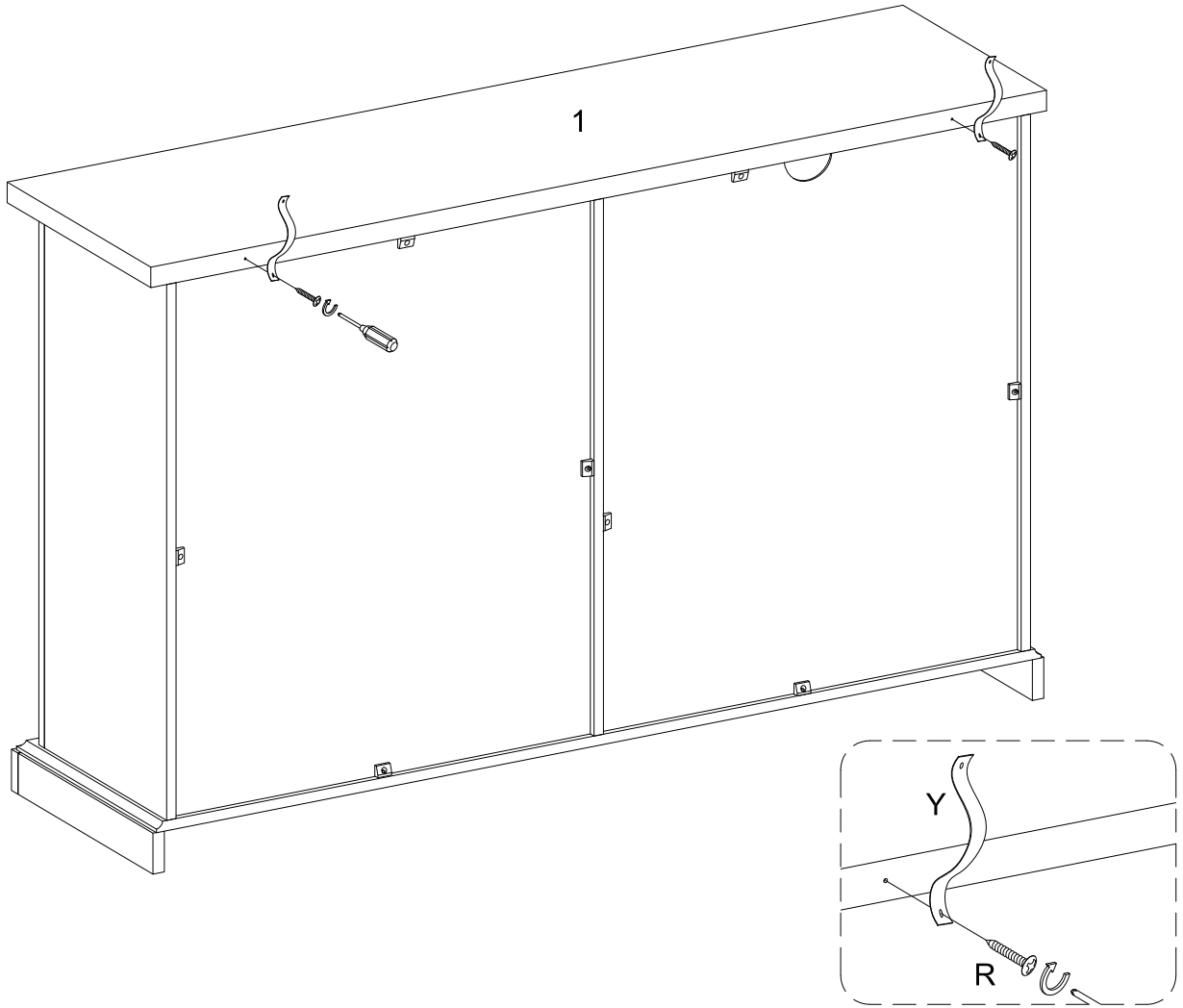
Insert the assembled drawers into the unit frame, extend the Ball Bearing Slide Tracks (AA) on the pedestal Side Panel all the way forward .Then align the Slide Runners on the assembled drawers with the Slide Tracks and push the drawer carefully inside until it stops. Note : if the drawer does not go in smoothly, please take it out and repeat the step. If you need to remove the drawer, please pull the drawer all the way out,press or lift the plastic release lever and pull out the drawer and then re-assembled the drawer until it was going in smoothly .

Step 26



Insert shelf support pin (P) into parts (3,6) as per diagram. Make sure you place the shelf support pins (P) in the same level. So the shelf is not titled .Put part (10) into unit as per diagram. Tilt and rest the adjustable shelf(10) onto the shelf support pins .

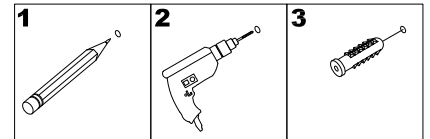
Step 27



Using screw (R) attach Velcro strap (Y) into part (1) with Philips head screwdriver as per diagram.

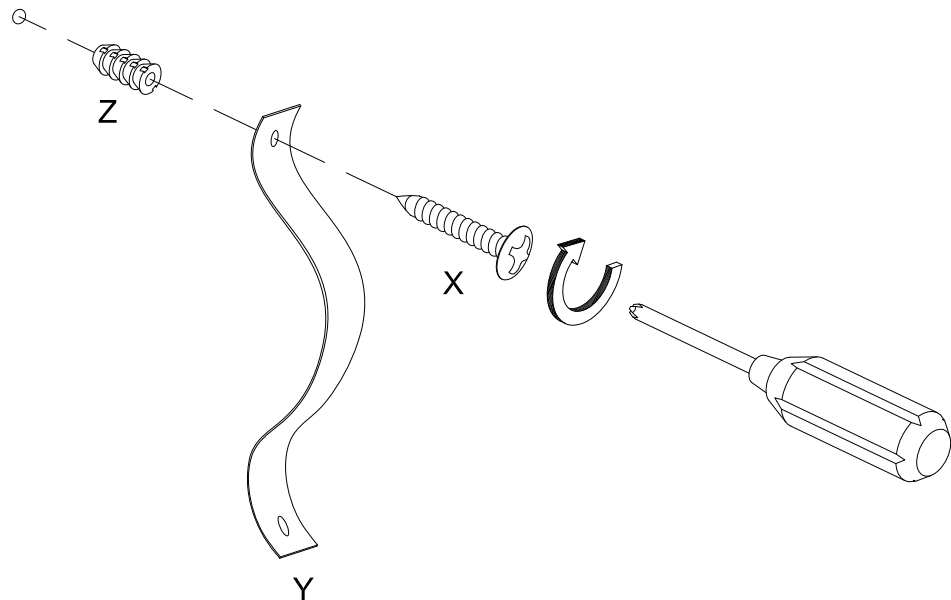
Step 28

WARNING



Serious or fatal injuries can occur from furniture tipping over. To prevent the furniture from tipping over we recommend that it is permanently fixed to the wall. Wall anchor and hardware are included with this product. Please make sure hardware is suitable for your walls before installing, as different wall materials may require different types of anchors.

Wall



Using screw (X) attach Velcro strap (Y) into Nut (Z) to wall with Philips head screwdriver as per diagram.

Step 29



Final Assembly