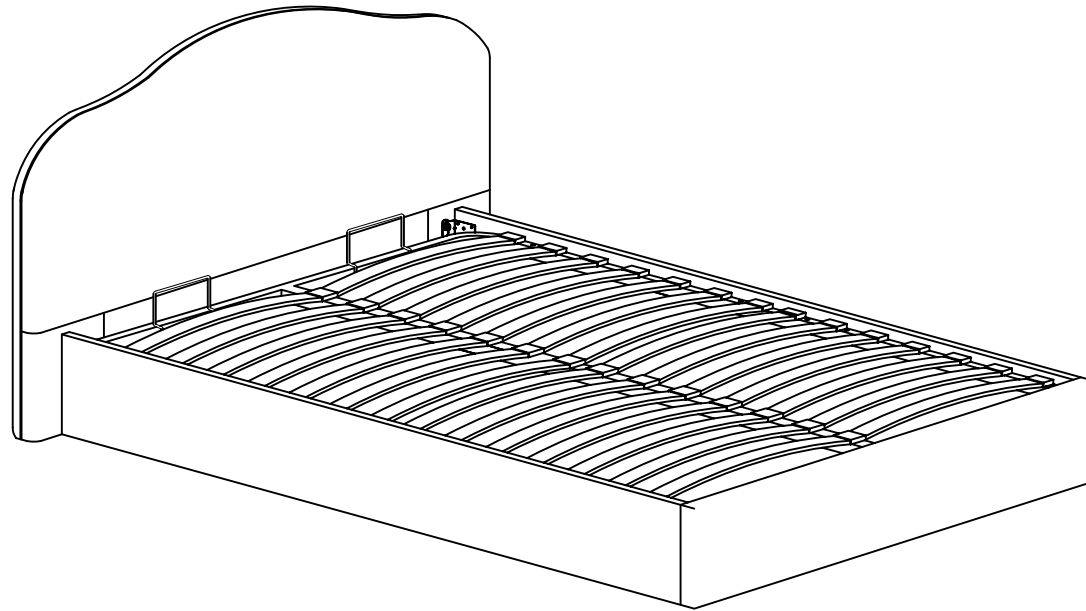


# MOE'S

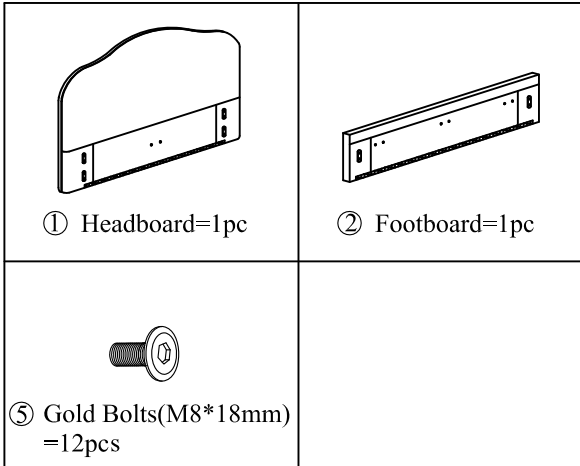
## Assembly Instructions Maggie Queen Storage Bed Cream

RN-1163-05-0

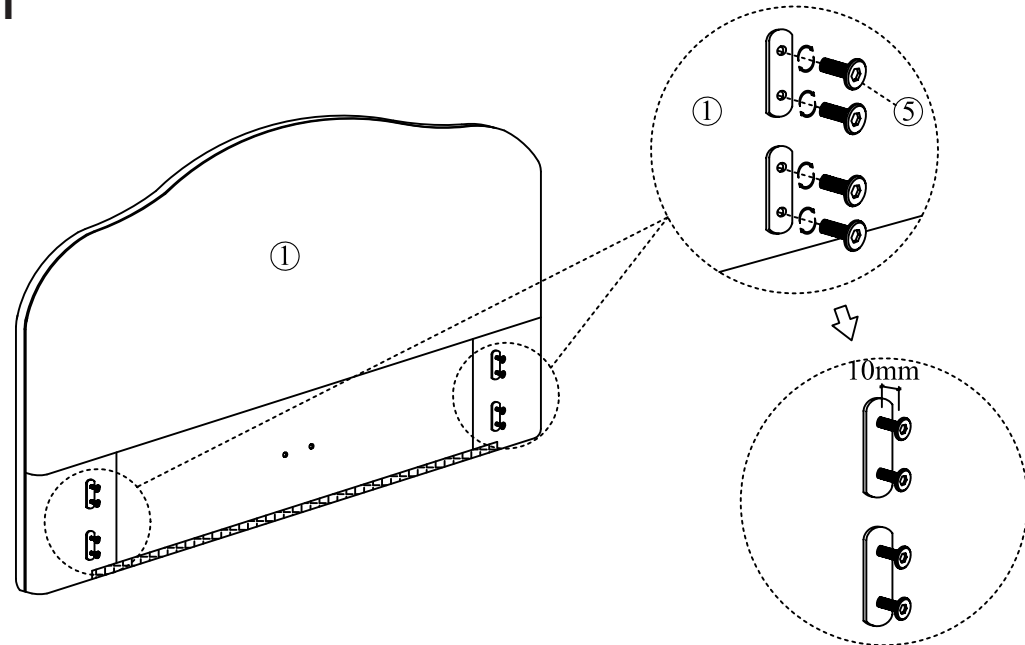


THANK YOU FOR YOUR PURCHASE!

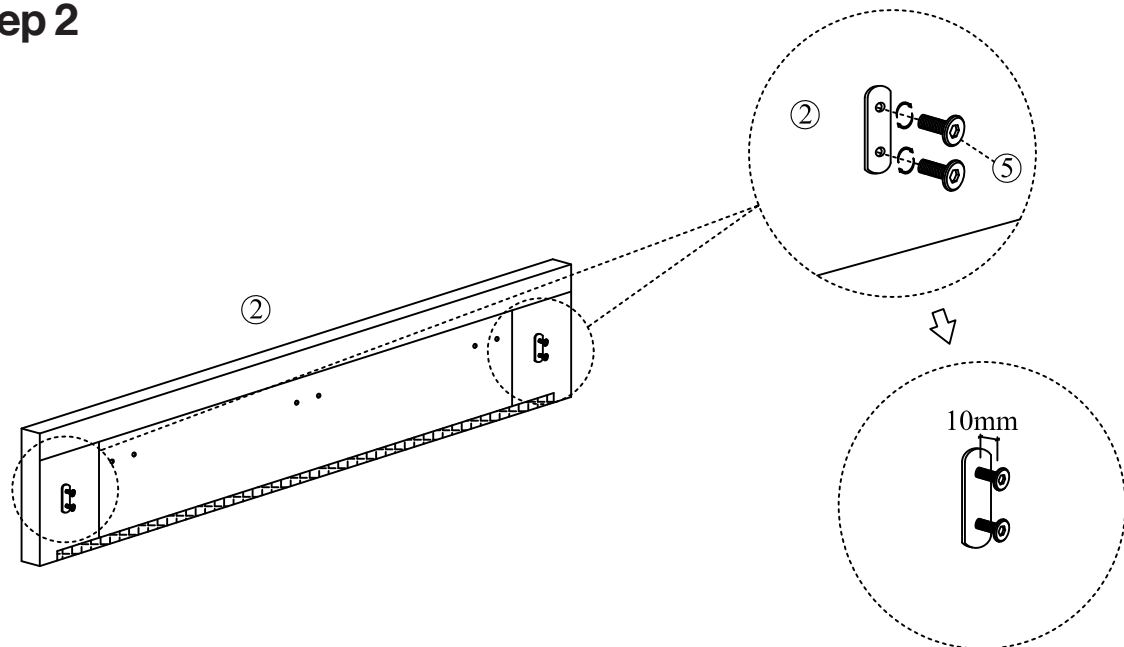
## Parts and Hardware



## Step 1



## Step 2

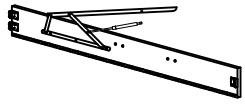


## Notes

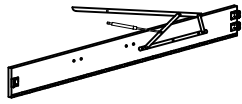
Thank you for purchasing this quality product!  
Be sure to check all packing material carefully  
for small part that may have come loose inside  
the carton during shipping.

**CAUTION:** The item is heavy, assembly  
should be performed by two people.

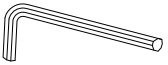
## Parts and Hardware



③ Right Side Rail  
=1pc

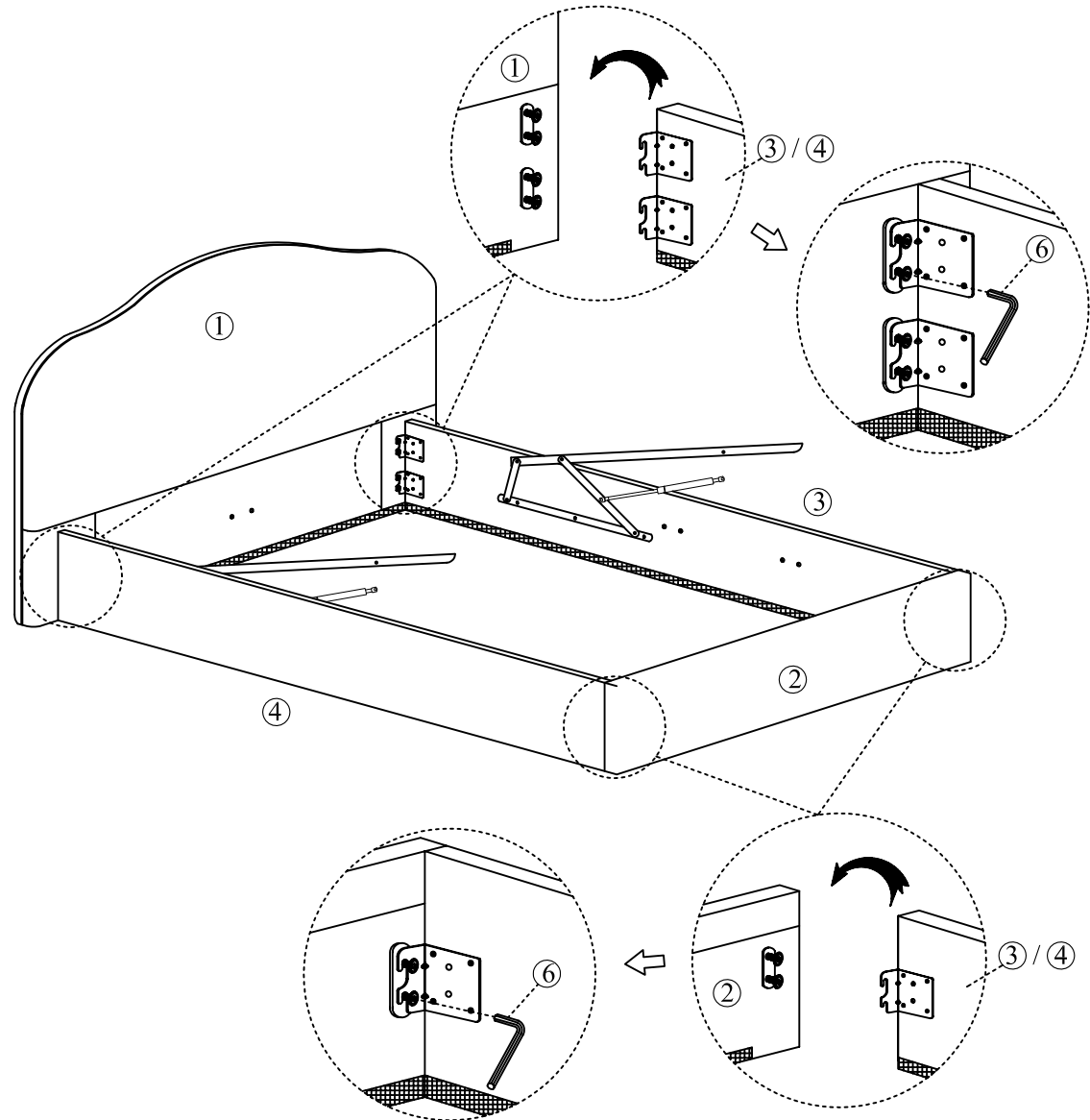


④ Left Side Rail  
=1pc



(M5)  
⑥ Allen Key=1pc

## Step 3


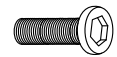
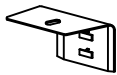
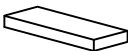



## Notes

Thank you for purchasing this quality product!  
Be sure to check all packing material carefully  
for small part that may have come loose inside  
the carton during shipping.

**CAUTION:** The item is heavy, assembly  
should be performed by two people.

## Parts and Hardware

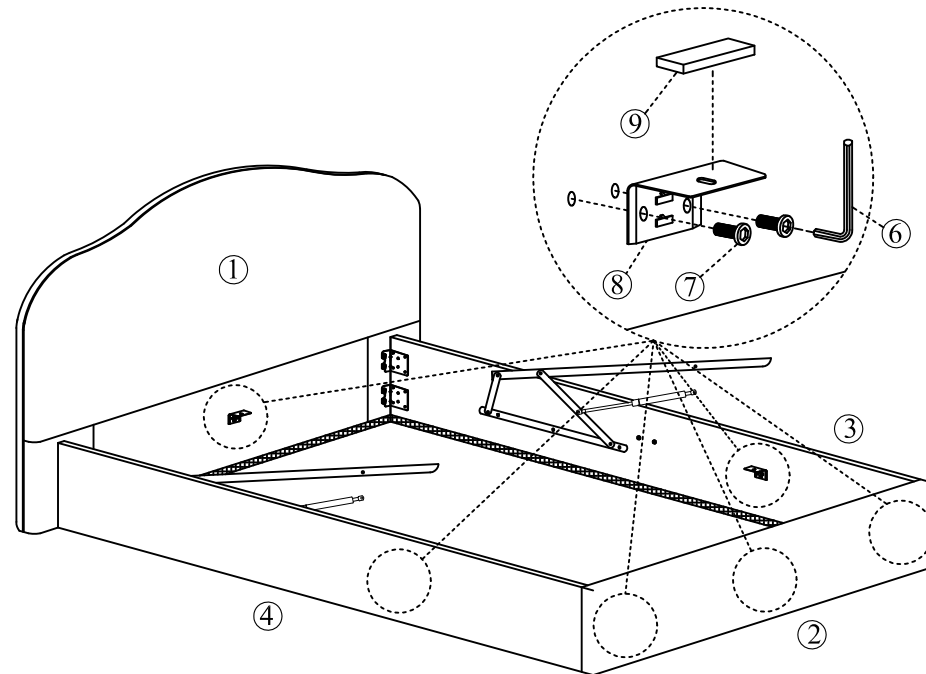
 ⑥ Allen Key=1pc (M5)	 ⑦ Bolts(M8*25mm) =12pcs
 ⑧ Bracket=6pcs	 ⑨ Stick Felts=6pcs
 ⑩ Baseboards=1pc	

## Notes

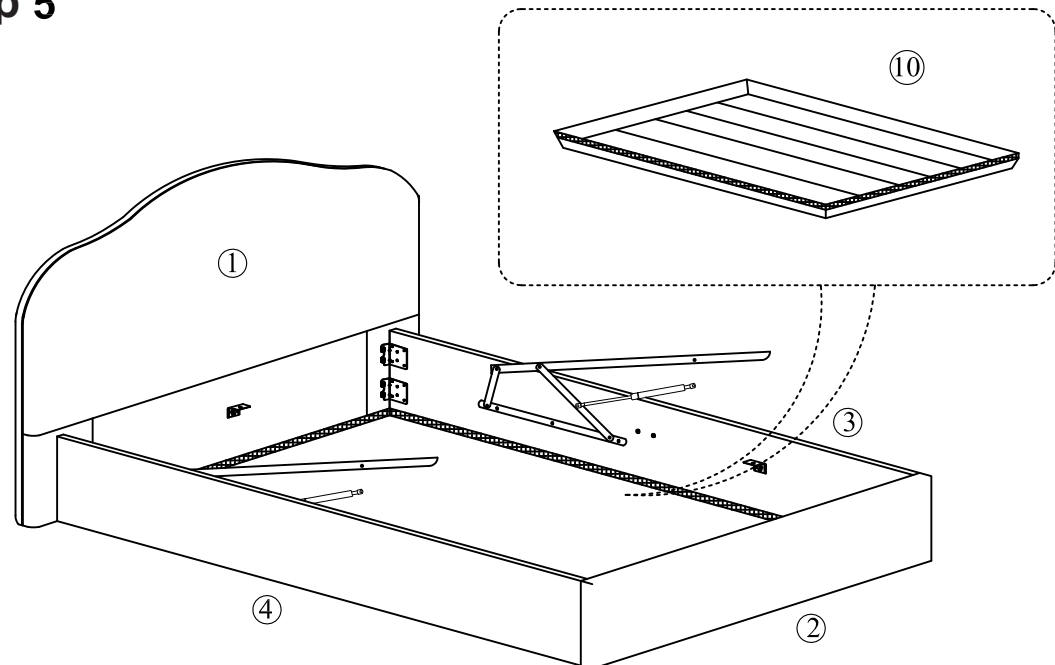
Thank you for purchasing this quality product!  
Be sure to check all packing material carefully  
for small part that may have come loose inside  
the carton during shipping.

**CAUTION:** The item is heavy, assembly  
should be performed by two people.

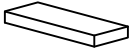


## Step 4



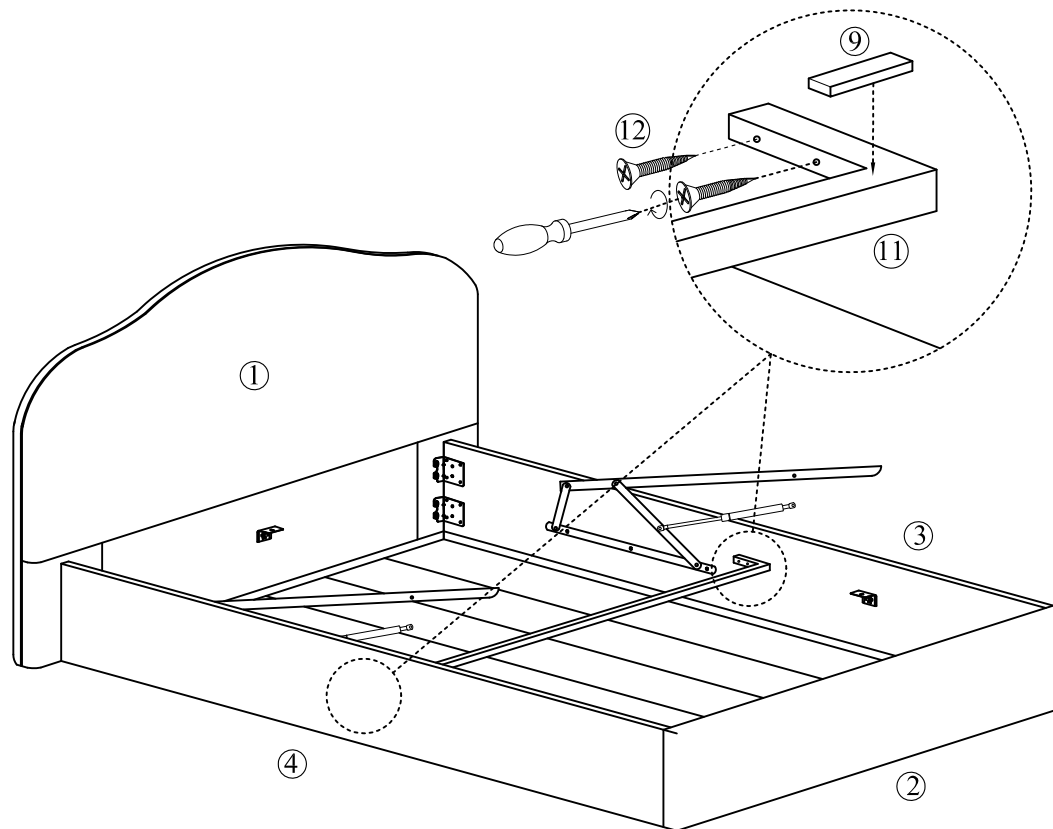
## Step 5



## Parts and Hardware

 ⑨ Stick Felts=2pcs	 ⑪ Metal cross rail =1pc
 ⑫ Screws(M5*40mm) =4pcs	

## Step 6

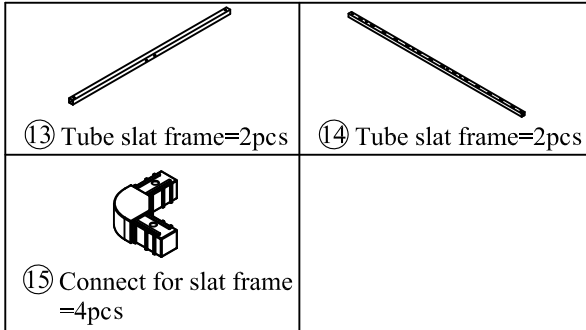


## Notes

Thank you for purchasing this quality product!  
Be sure to check all packing material carefully  
for small part that may have come loose inside  
the carton during shipping.

**CAUTION:** The item is heavy, assembly  
should be performed by two people.

## Parts and Hardware

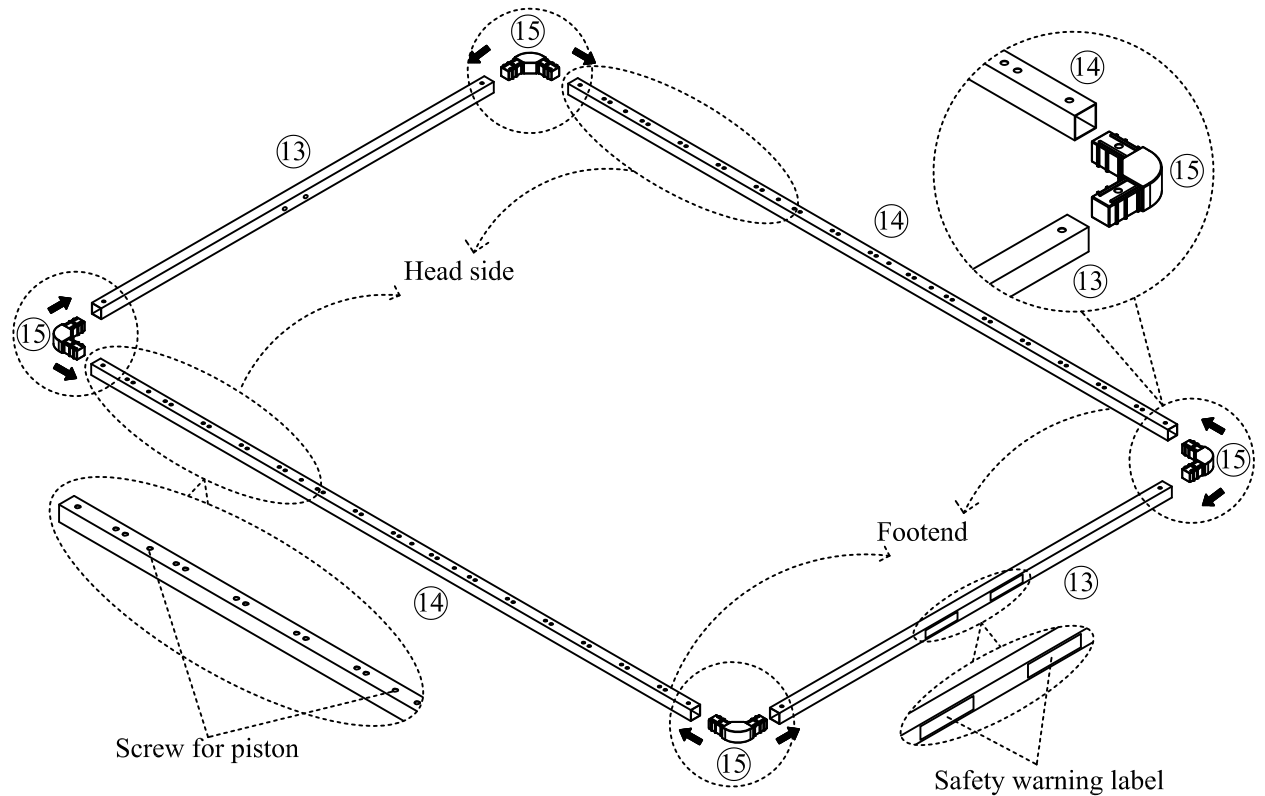


## Notes

Thank you for purchasing this quality product!  
Be sure to check all packing material carefully  
for small part that may have come loose inside  
the carton during shipping.

**CAUTION:** The item is heavy, assembly  
should be performed by two people.

## Step 7



Note: The tube ⑬ with safety warning label should be assembled footend.

## Parts and Hardware



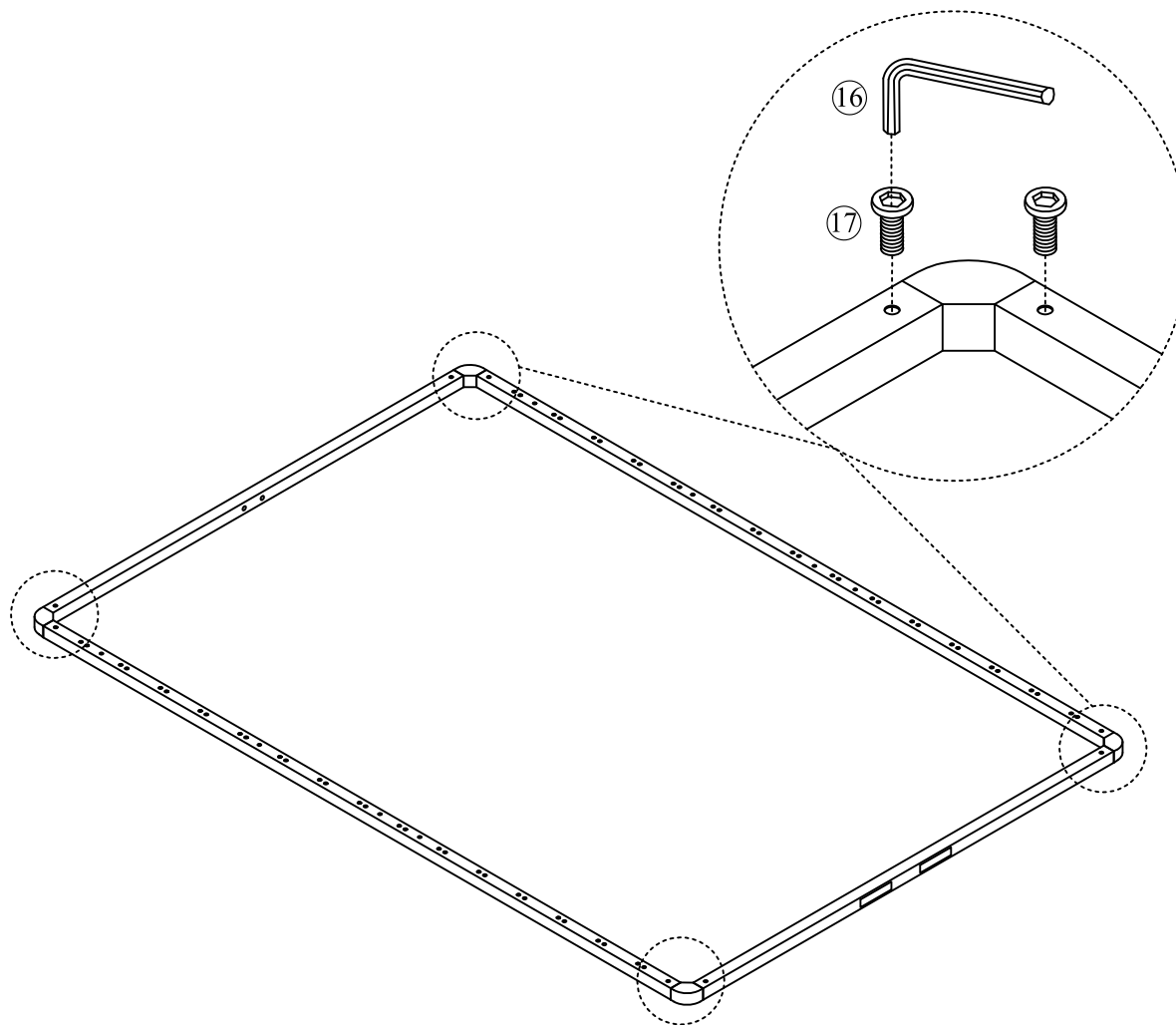
(M4)

①⑥ Allen Key=1pc



①⑦ Bolts(M6\*10mm)  
=8pcs

## Step 8


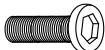
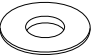



## Notes

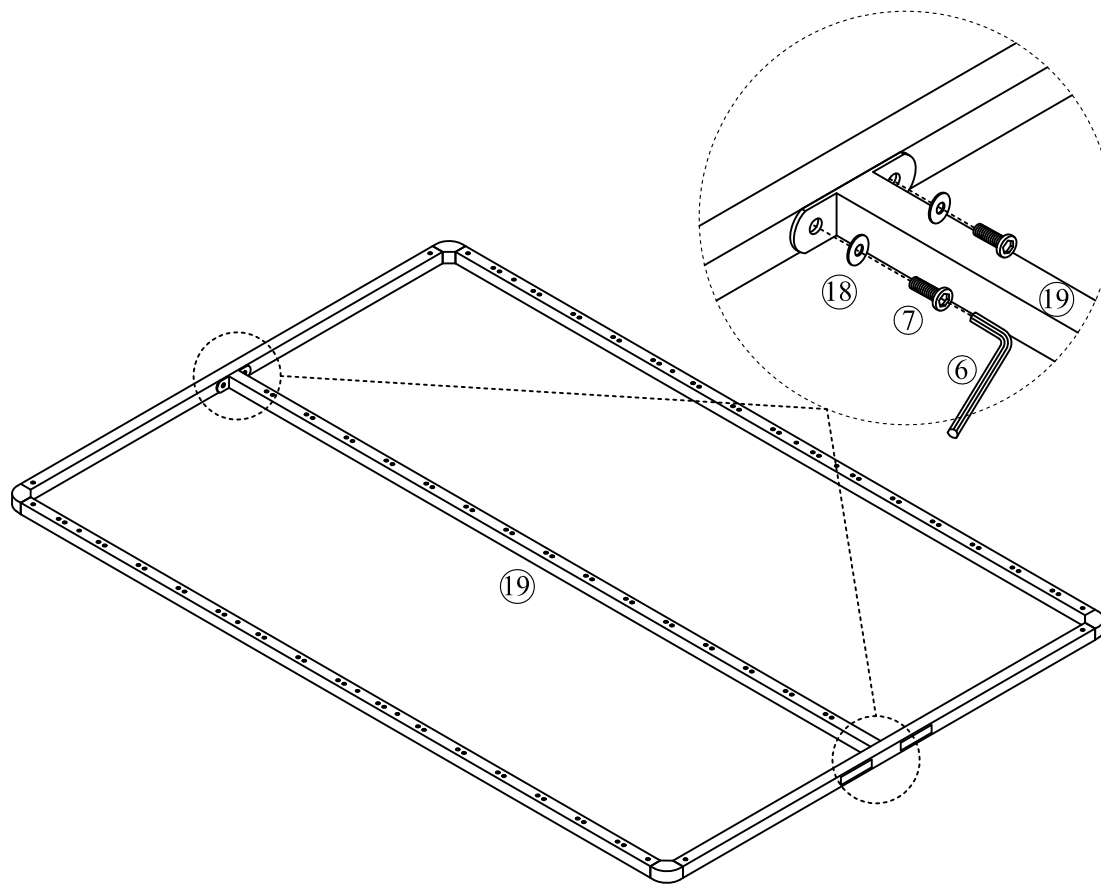
Thank you for purchasing this quality product!  
Be sure to check all packing material carefully  
for small part that may have come loose inside  
the carton during shipping.

**CAUTION:** The item is heavy, assembly  
should be performed by two people.

## Parts and Hardware

 (M5) ⑥ Allen Key=1pc	 ⑦ Bolts(M8*25mm) =4pcs
 ⑱ Washers (M8)=4pcs	 ⑲ Tube slat frame=1pc

## Step 9






## Notes

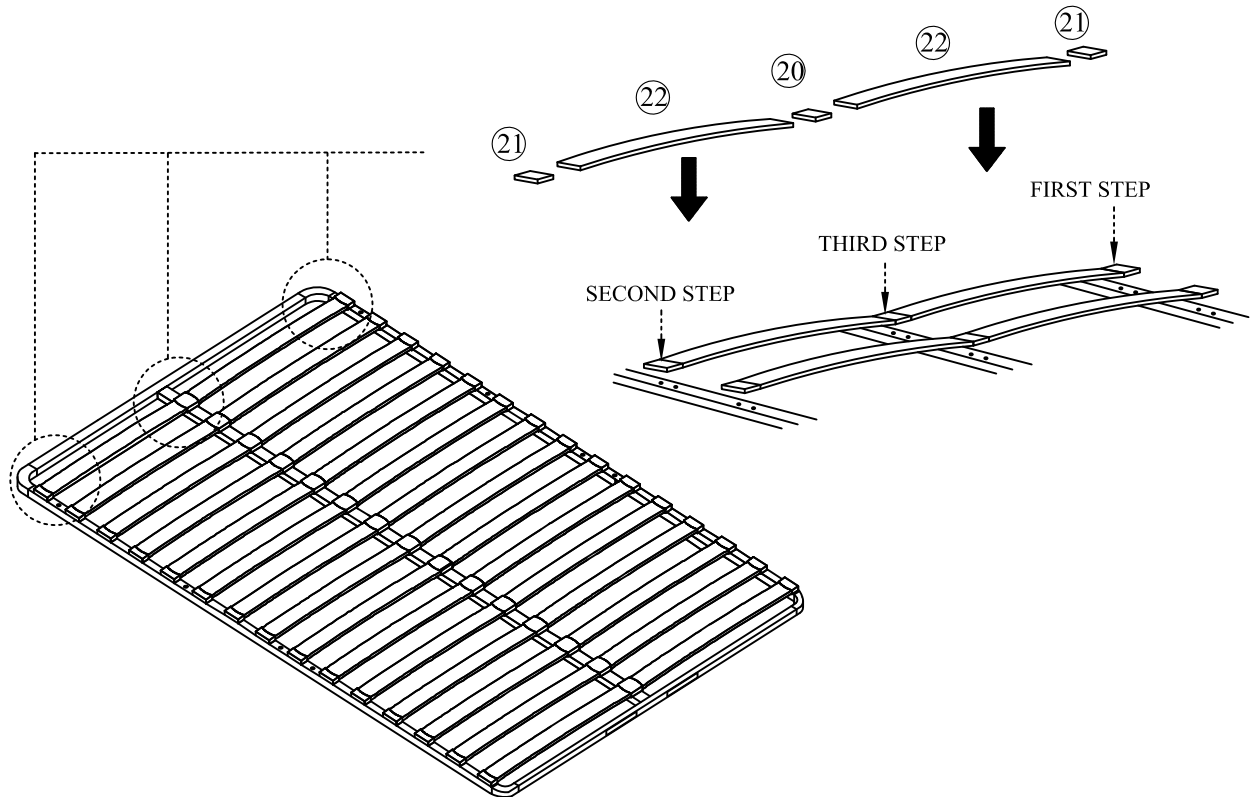
Thank you for purchasing this quality product!  
Be sure to check all packing material carefully  
for small part that may have come loose inside  
the carton during shipping.

**CAUTION:** The item is heavy, assembly  
should be performed by two people.

## Parts and Hardware

 ⑩ Wid plastic cap (Big) =14pcs	 ⑪ End plastic cap (Small) =28pcs
 ⑫ Slats=28pcs	

## Step 10

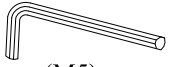
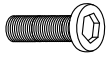
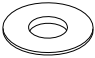
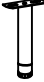


## Notes

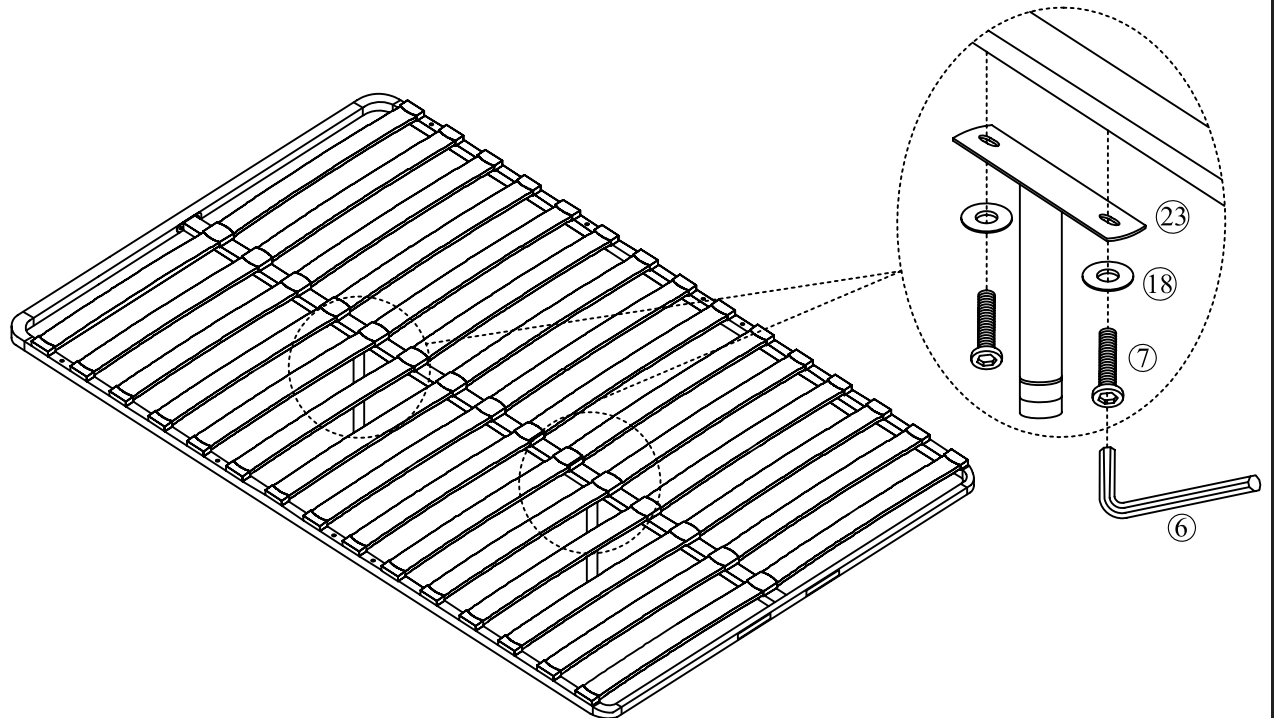
Thank you for purchasing this quality product!  
Be sure to check all packing material carefully  
for small part that may have come loose inside  
the carton during shipping.

**CAUTION:** The item is heavy, assembly  
should be performed by two people.

## Parts and Hardware

 ⑥ Allen Key (M5)=1pc	 ⑦ Bolts (M8*25mm)=4pcs
 ⑱ Washers (M8)=4pcs	 ⑳ Metal Support legs=2pcs

## Step 11



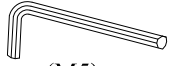
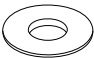



## Notes

Thank you for purchasing this quality product!  
Be sure to check all packing material carefully for small part that may have come loose inside the carton during shipping.

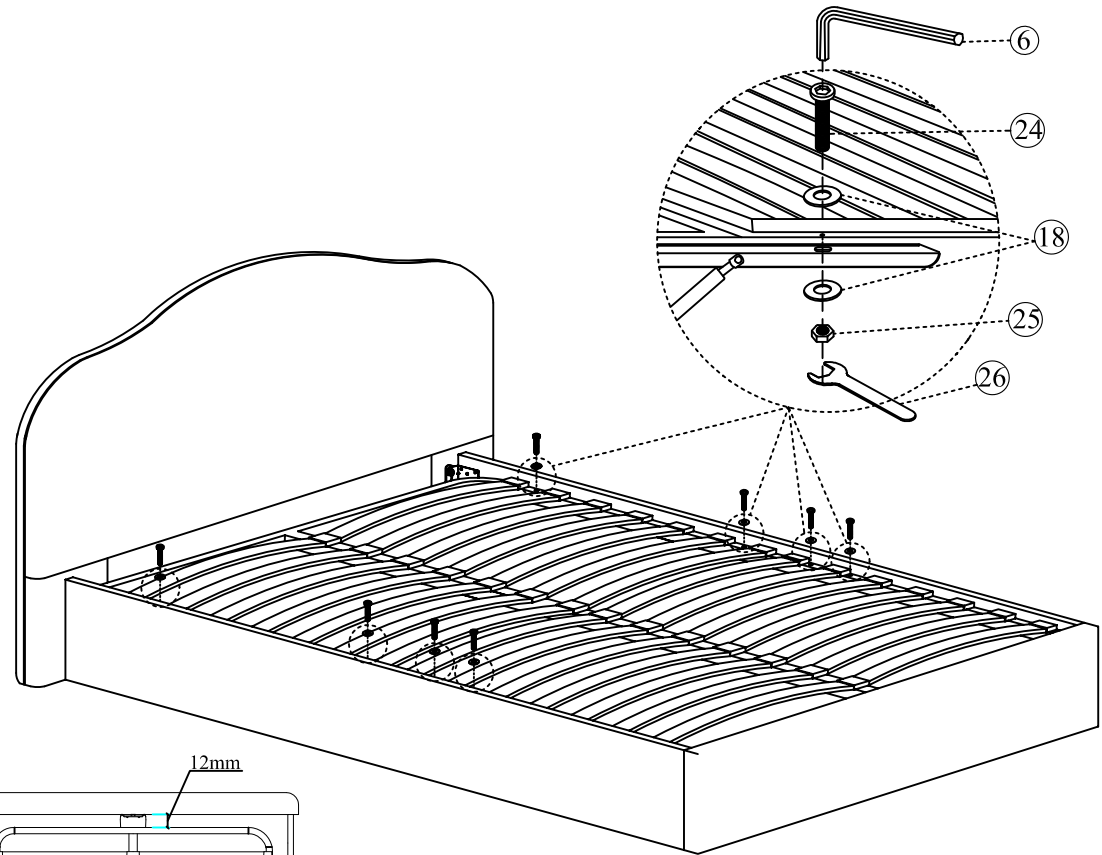
**CAUTION:** The item is heavy, assembly should be performed by two people.

The centre support legs should be 5-10mm off the ground.

## Parts and Hardware

 (M5) ⑥ Allen Key=1pc	 ⑱ Washers (M8)=16pcs
 ⑳ Bolts(M8*45mm) =8pcs	 ㉑ Nuts (M8)=8pcs
 ㉒ Spanner=1pc	

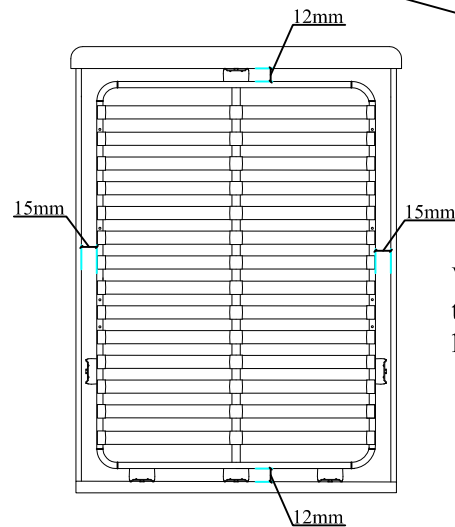
## Step 12



## Notes

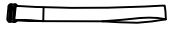
Thank you for purchasing this quality product!  
Be sure to check all packing material carefully  
for small part that may have come loose inside  
the carton during shipping.

**CAUTION:** The item is heavy, assembly  
should be performed by two people.



We suggest to assemble the slat frame in the middle position of  
the bed and try to keep 15mm distance on both side rails and keep  
12mm distance on headboard and footboard, need to be equidistant.

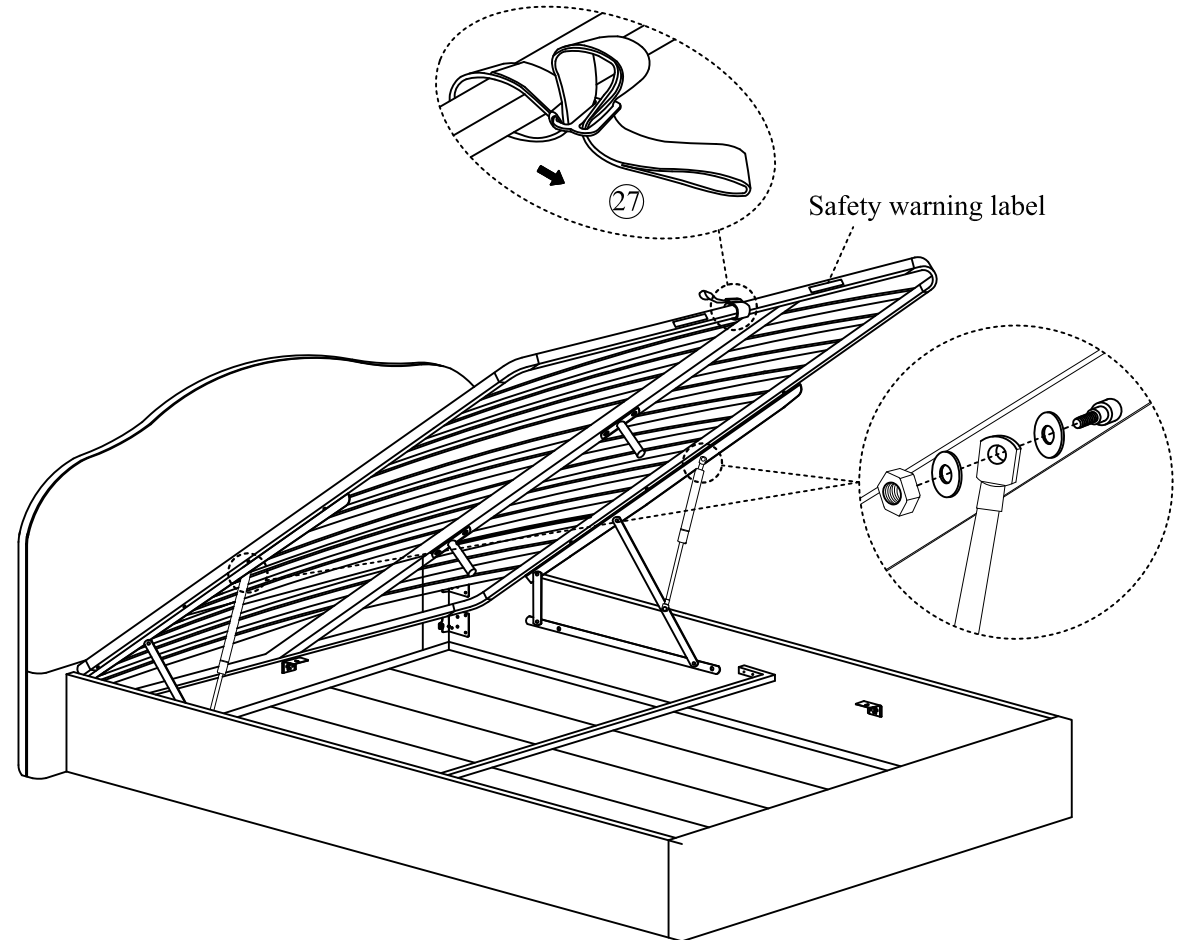
## Parts and Hardware



②⑦ Belt=1pc

## Step 13

NOTES: It is recommended that the BELT be placed in the middle position, as shown in the below image.

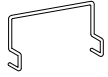


## Notes

Thank you for purchasing this quality product! Be sure to check all packing material carefully for small part that may have come loose inside the carton during shipping.

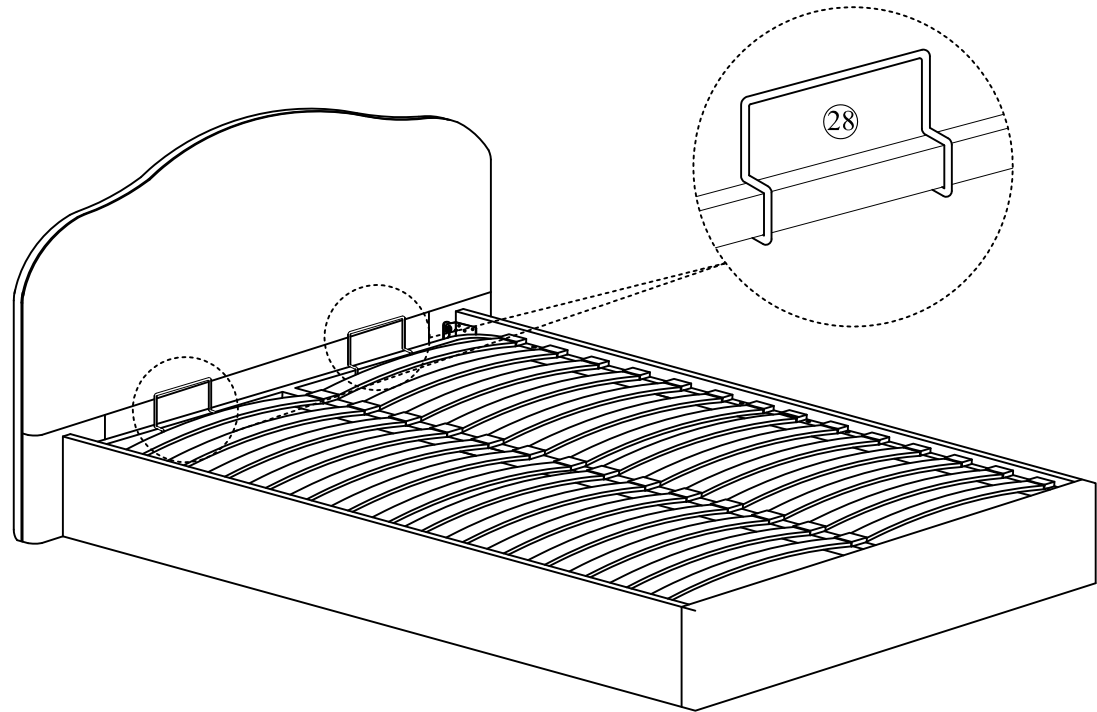
**CAUTION:** The item is heavy, assembly should be performed by two people.

## Parts and Hardware



②⑧ Mattress holder=2pcs

## Step 14



## Notes

Thank you for purchasing this quality product!  
Be sure to check all packing material carefully  
for small part that may have come loose inside  
the carton during shipping.

**CAUTION:** The item is heavy, assembly  
should be performed by two people.

**Warning:** When you need to move the bed please lift it, do not drag it.