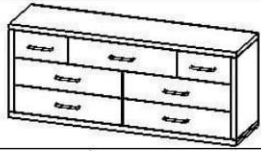

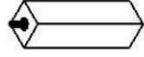






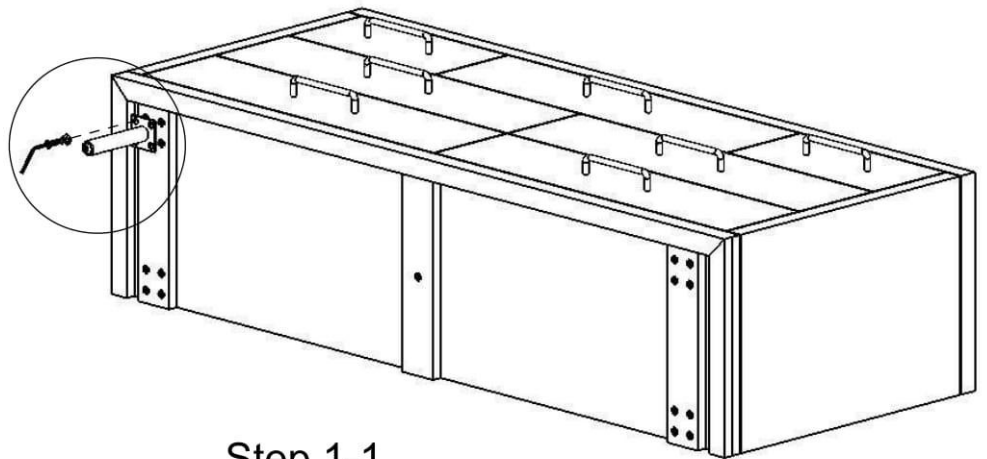
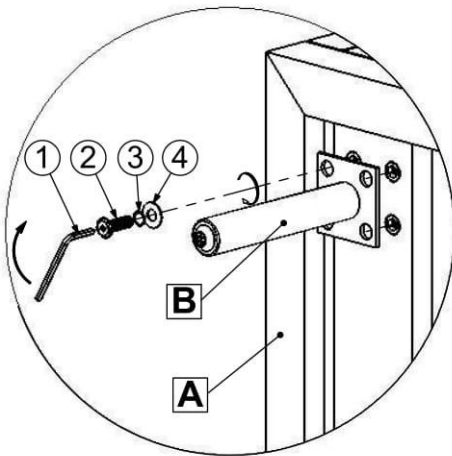
Mid Century Wood 7 Drawer Dresser_63x16.53x31.5 inches

Caution: Please read instructions thoroughly before unpacking assembly parts. Sharp, exposed staple tips can cause injury, therefore, for your protection, please remove any exposed staples used in packing. *Please keep all hardware parts out of the reach of children.*

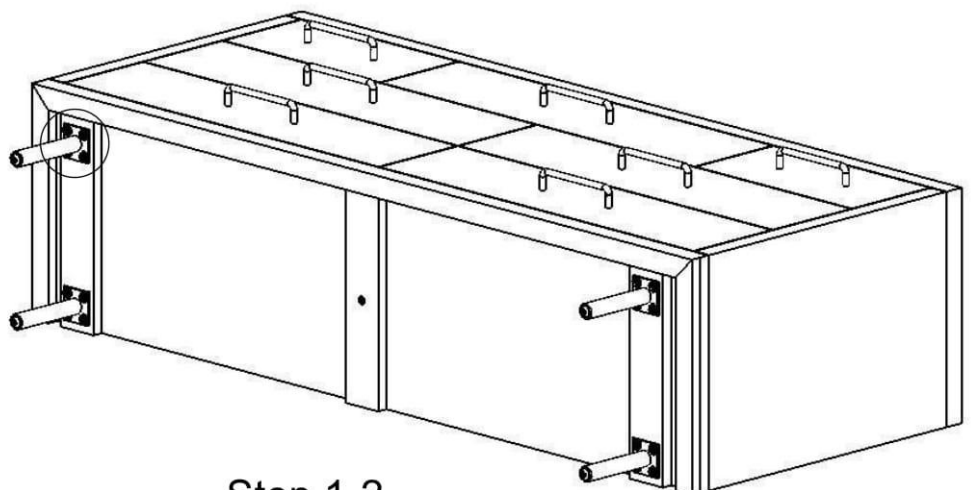
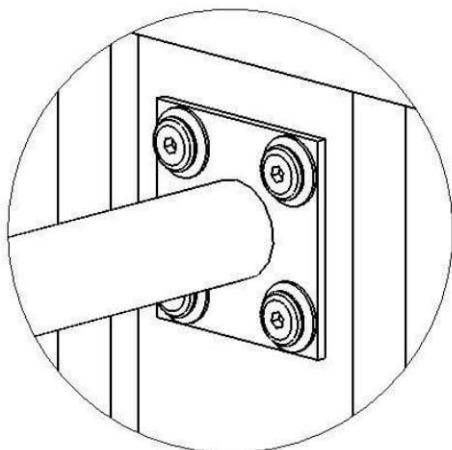
1. We recommend that you should assemble this product with the assistance of another person; this will make assembly easier, and will help to eliminate damage to the product or injury to persons during assembly.
2. Be sure to check all packing materials carefully for small parts that may have come loose inside the carton during shipment.
3. Please do not over tighten screws or bolts.
4. Please put all parts on a non-abrasive floor before assembly, and follow the assembly steps to assemble your newly purchased product correctly and efficiently.

COMPONENT LIST			
ID	NAME	PICTURE	QTY
A	Body		1 Pc
B	Legs		4 Pc
C	Support Legs		1 Pc

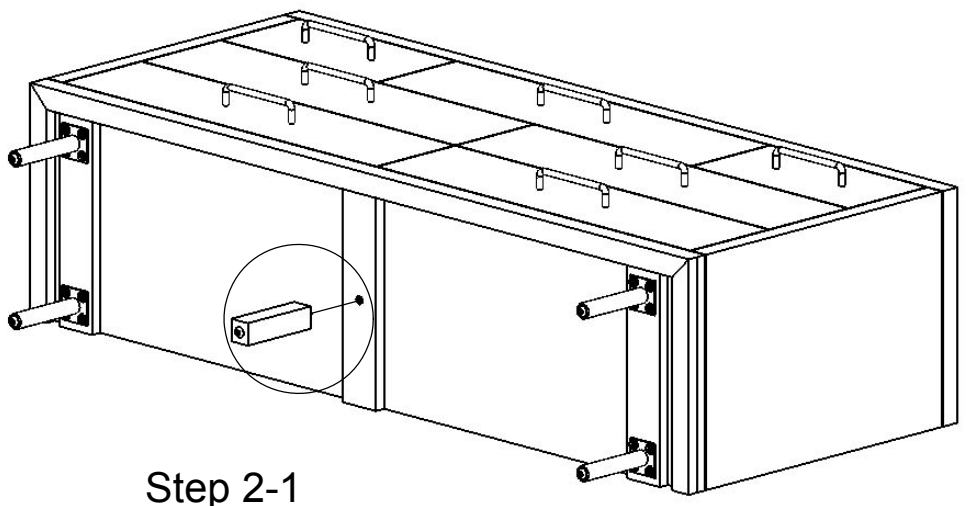
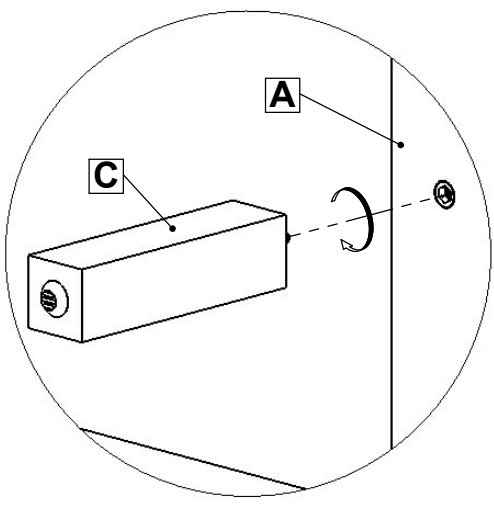
HARDWARE CHECK LIST			
ID	NAME	PICTURE	QTY
1	Hexagon Key 4x60 mm		1 Pc
2	Sink Hexagon M8x20 mm		16 Pcs
3	Washers 8x19 mm		16 Pcs
4	Split Washers 4x25 mm		16 Pcs



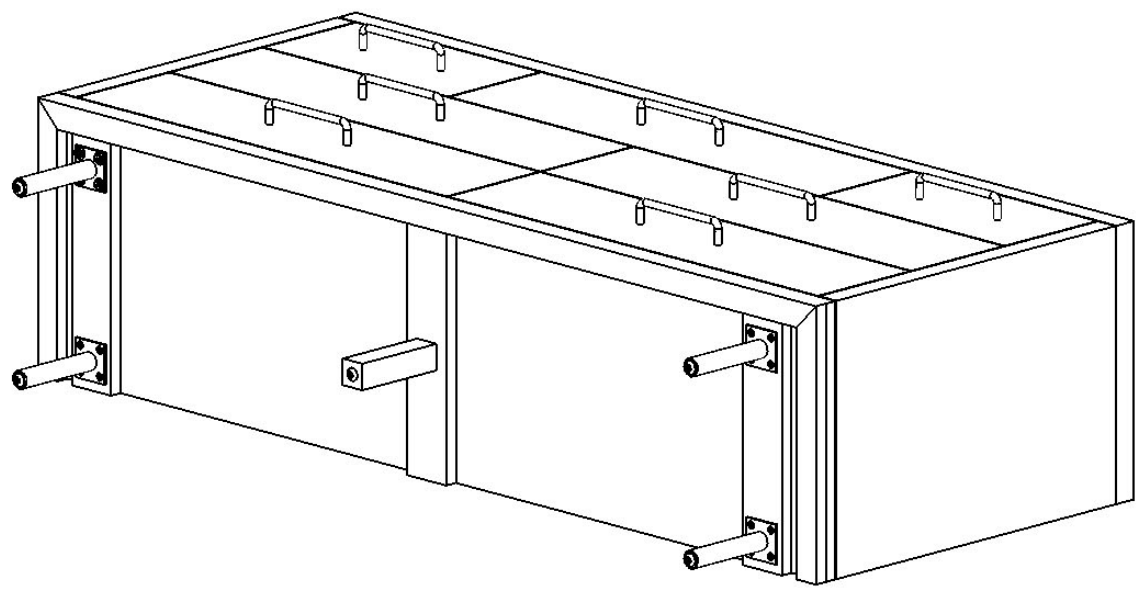
Step 1-1



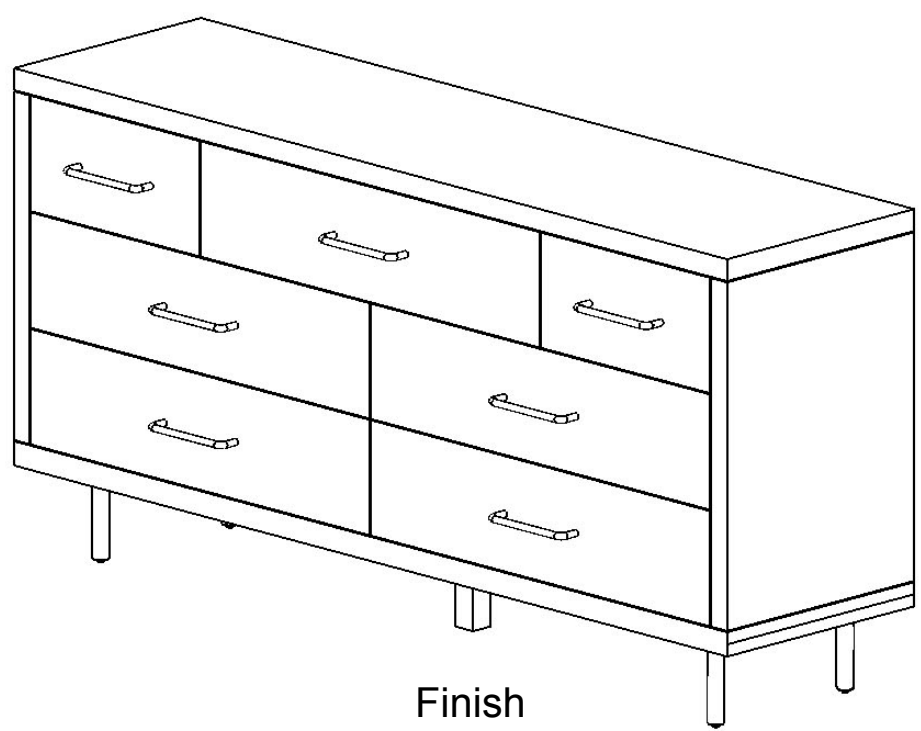
Step 1-2



Step 2-1



Step 2-2



Finish