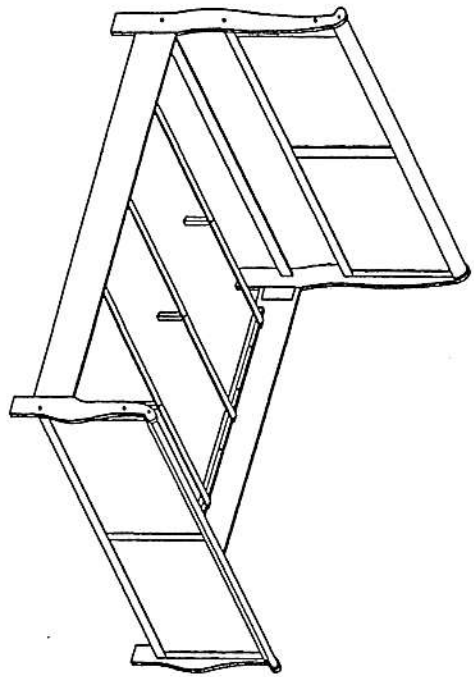


ASSEMBLY INSTRUCTION

ITEM NO: F9230Q / F9231Q / F9232Q BED



Parts list

A x 1pcs
B x 1pcs
C x 1pcs(LEFT)
D x 1pcs(RIGHT)
E x 1pcs
F x 1pcs(LEFT)
G x 1pcs(RIGHT)
I x 2pcs
J x 3pcs
K x 3pcs

Hardware list			
1		Ø1/4"×35	10pcs
2		Ø10mm	4pcs
3		Ø15mm	10pcs
4		Ø9×38mm	4pcs
5		Ø9×30mm	6pcs
6		4mm×58mm	1pcs

