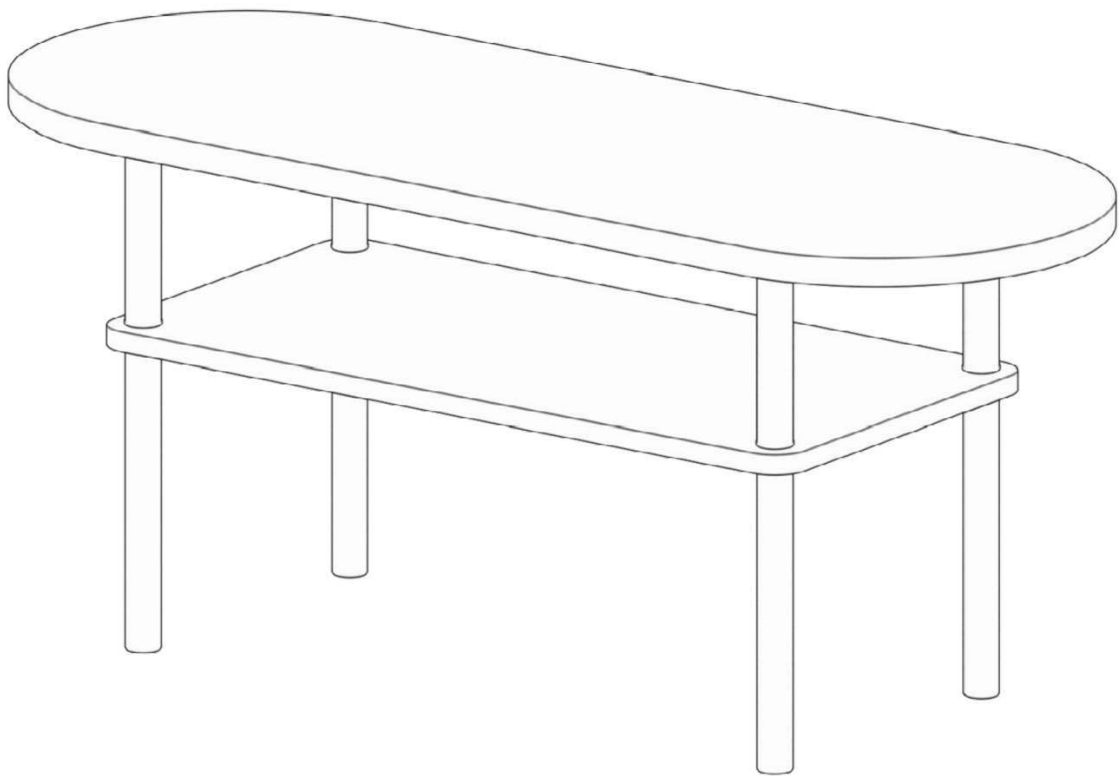


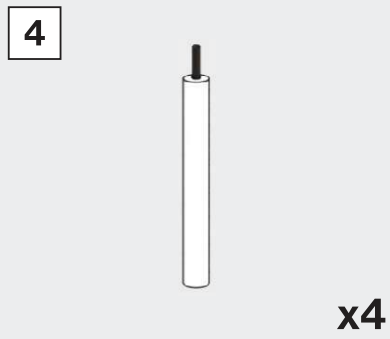
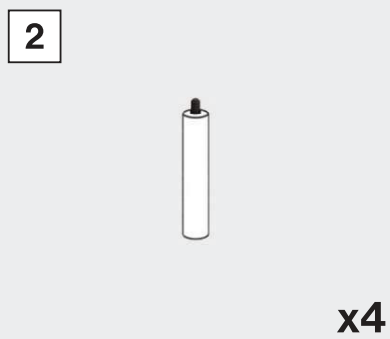
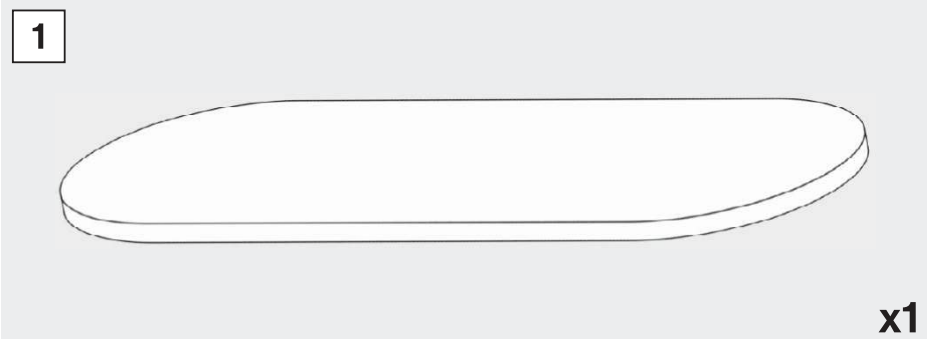
Installation & Assembly



In order for warranty conditions to be valid, please follow the instructions on the manual. For an easy and efficient assembly, we recommend placing all the parts on a flat surface and reading the manual carefully. Once placed, match all the parts with the instruction manual

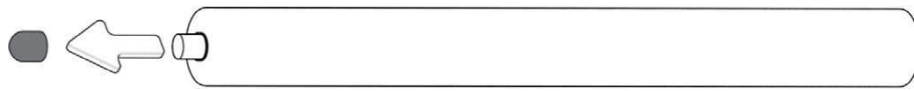
Part List ↘

Part No **1** Piece **x1**

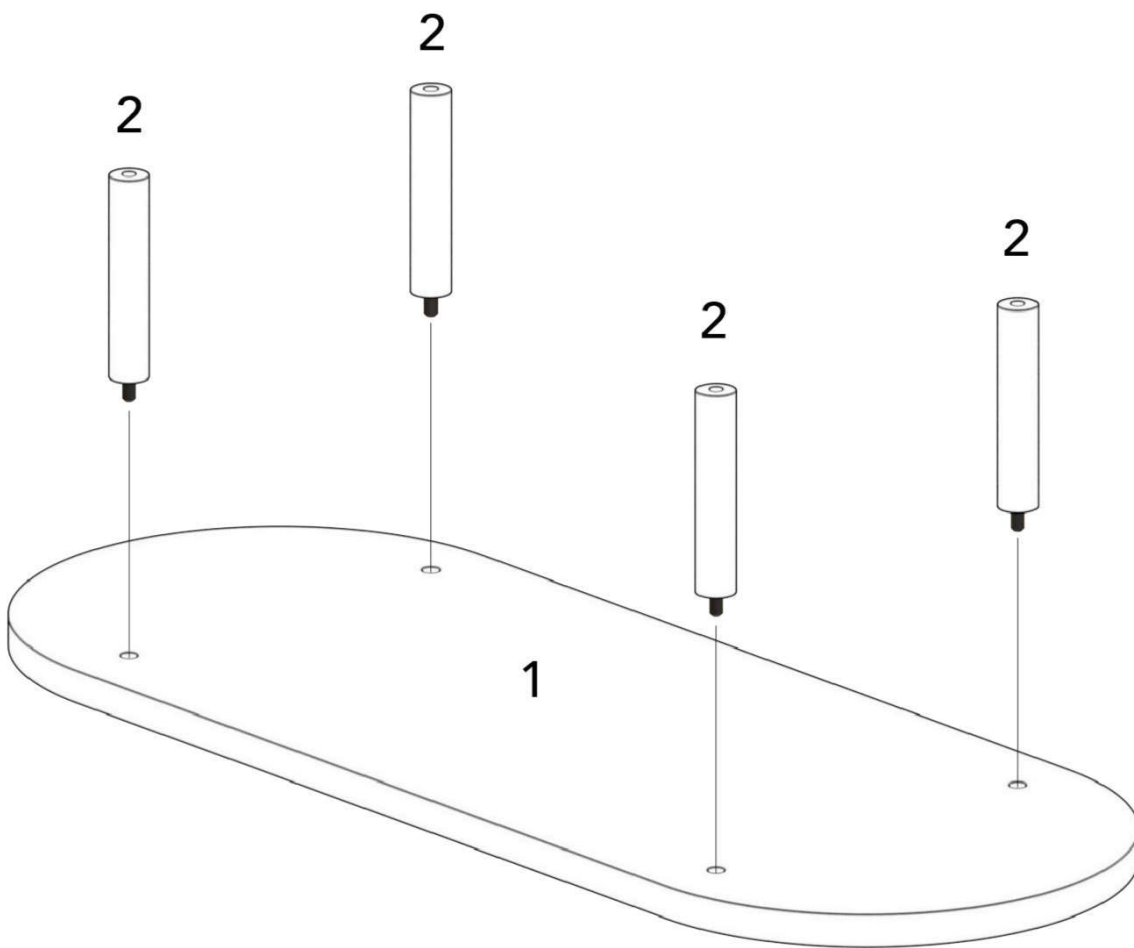


Step 1 ↘

Remove the protective caps before assembly.



Step 2 ↘



Step 3 ↘

