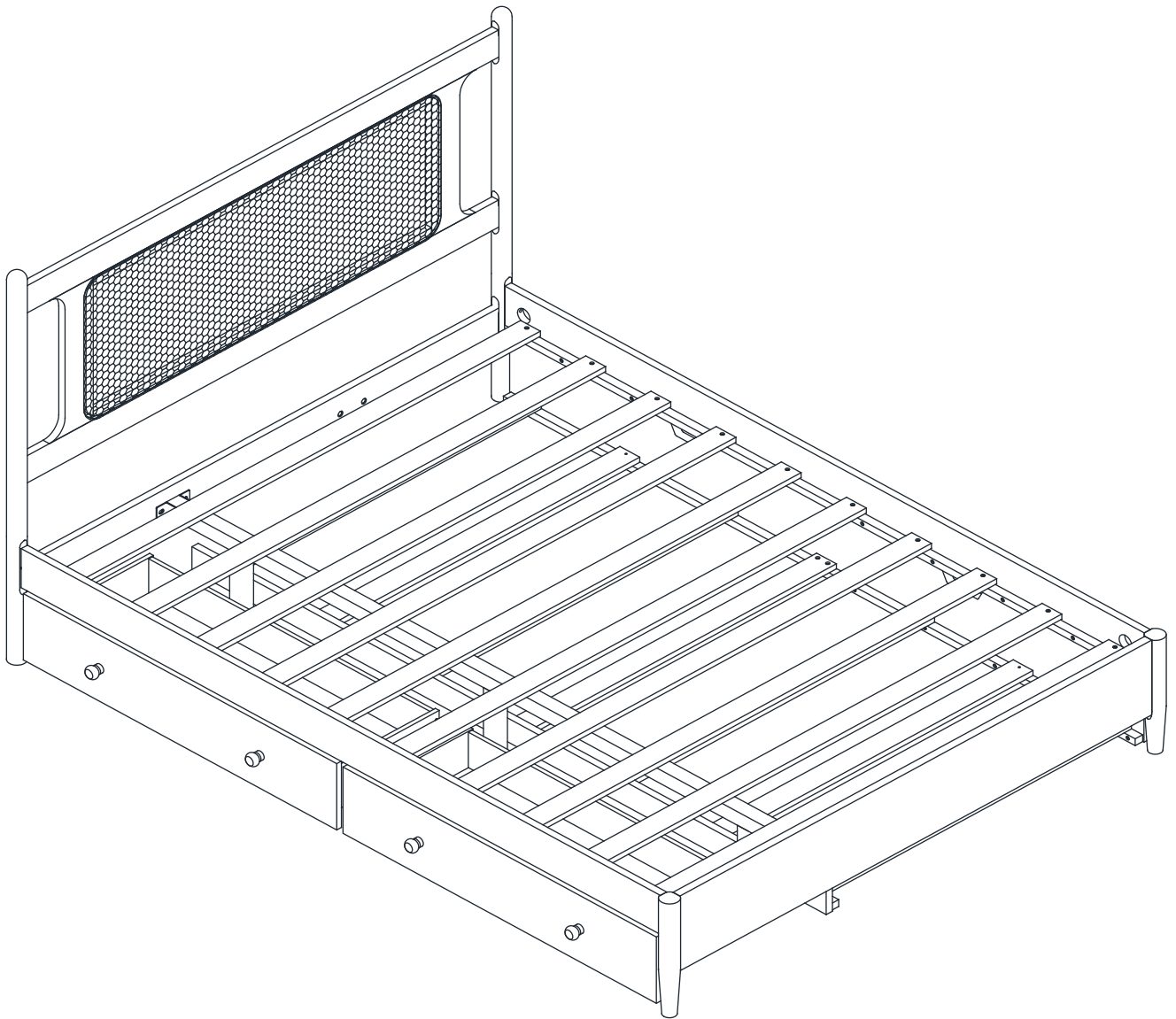
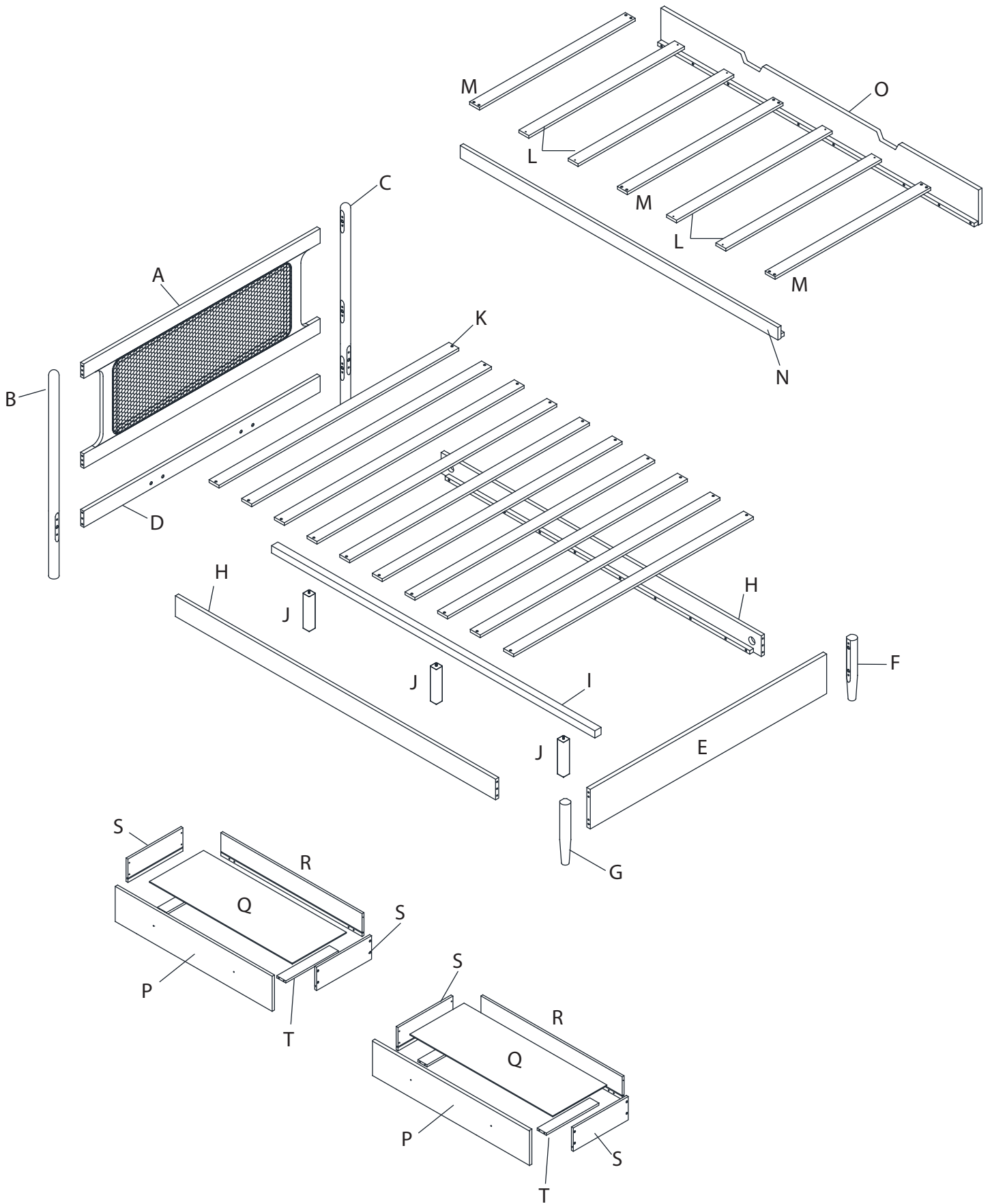


ASSEMBLY INSTRUCTIONS

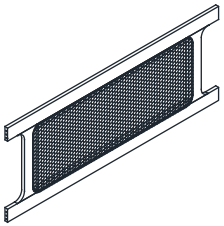
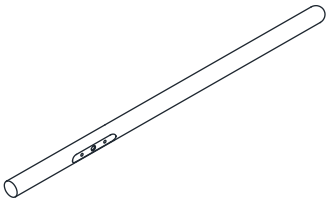
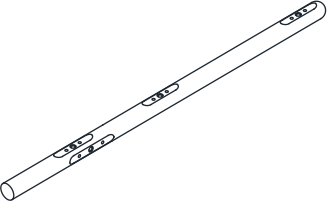
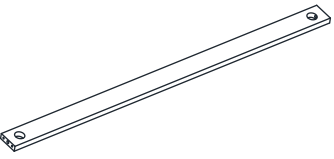
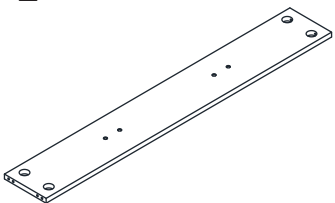
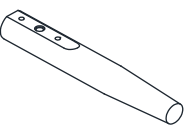
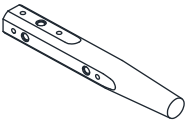

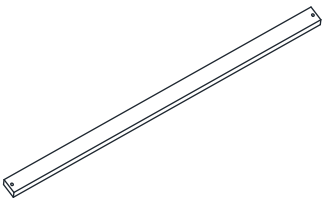
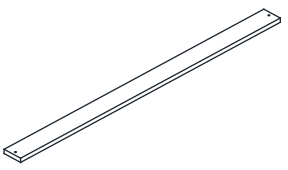
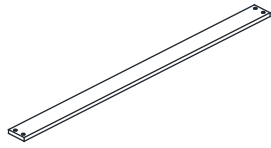
ITEM CODE: WF321142+WF321143



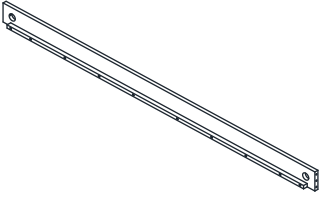
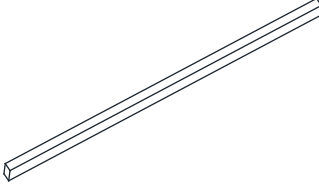
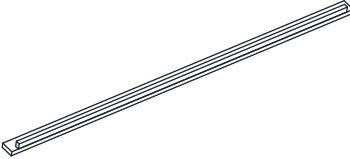
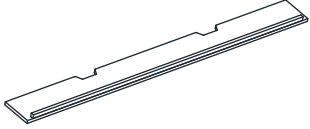
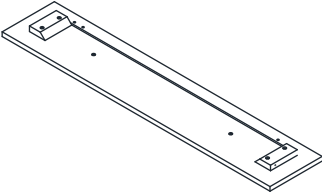
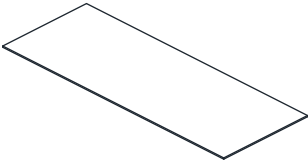
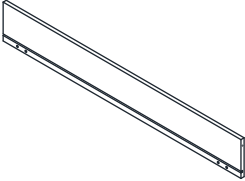
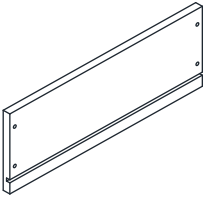
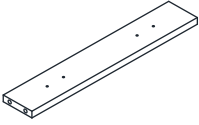
DETAIL VIEW



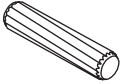
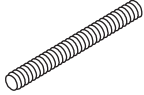
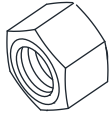

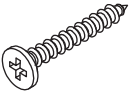

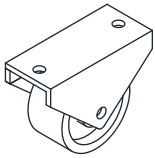
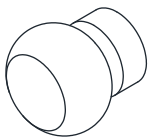

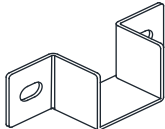
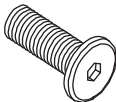

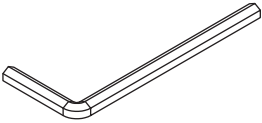

BOX 1: WF321142

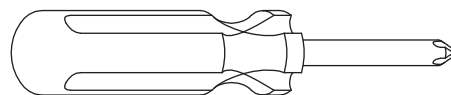
<p>A</p>  <p>HeadBoard top rail (1pc)</p>	<p>B</p>  <p>Left headboard leg (1pc)</p>	<p>C</p>  <p>Right headboard leg(1pc)</p>	<p>D</p>  <p>Horizontal rail (1pc)</p>
<p>E</p>  <p>Footboard (1pc)</p>	<p>F</p>  <p>Left footboard leg (1pc)</p>	<p>G</p>  <p>Right footboard leg (1pc)</p>	<p>J</p>  <p>support legs 3(pcs)</p>
<p>K</p>  <p>Slats 1 (10pcs)</p>	<p>L</p>  <p>Slats 2 (4pcs)</p>	<p>M</p>  <p>Slats 3 (3pcs)</p>	

BOX 2 : WF321143

<p>H</p>  <p>Side rails (2pcs)</p>	<p>I</p>  <p>Center support bar 1(pc)</p>	<p>N</p>  <p>Drawer back panel (1pc)</p>	<p>O</p>  <p>Drawer front panel (1pc)</p>
<p>P</p>  <p>Drawer fronts (2pcs)</p>	<p>Q</p>  <p>Drawer bottoms (2pcs)</p>	<p>R</p>  <p>The rear walls of the drawers (2pcs)</p>	<p>S</p>  <p>Side walls of the drawers (4pcs)</p>
<p>T</p>  <p>Support bar of drawers (4pcs)</p>			





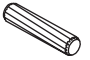
HARDWARE LIST: WF321142

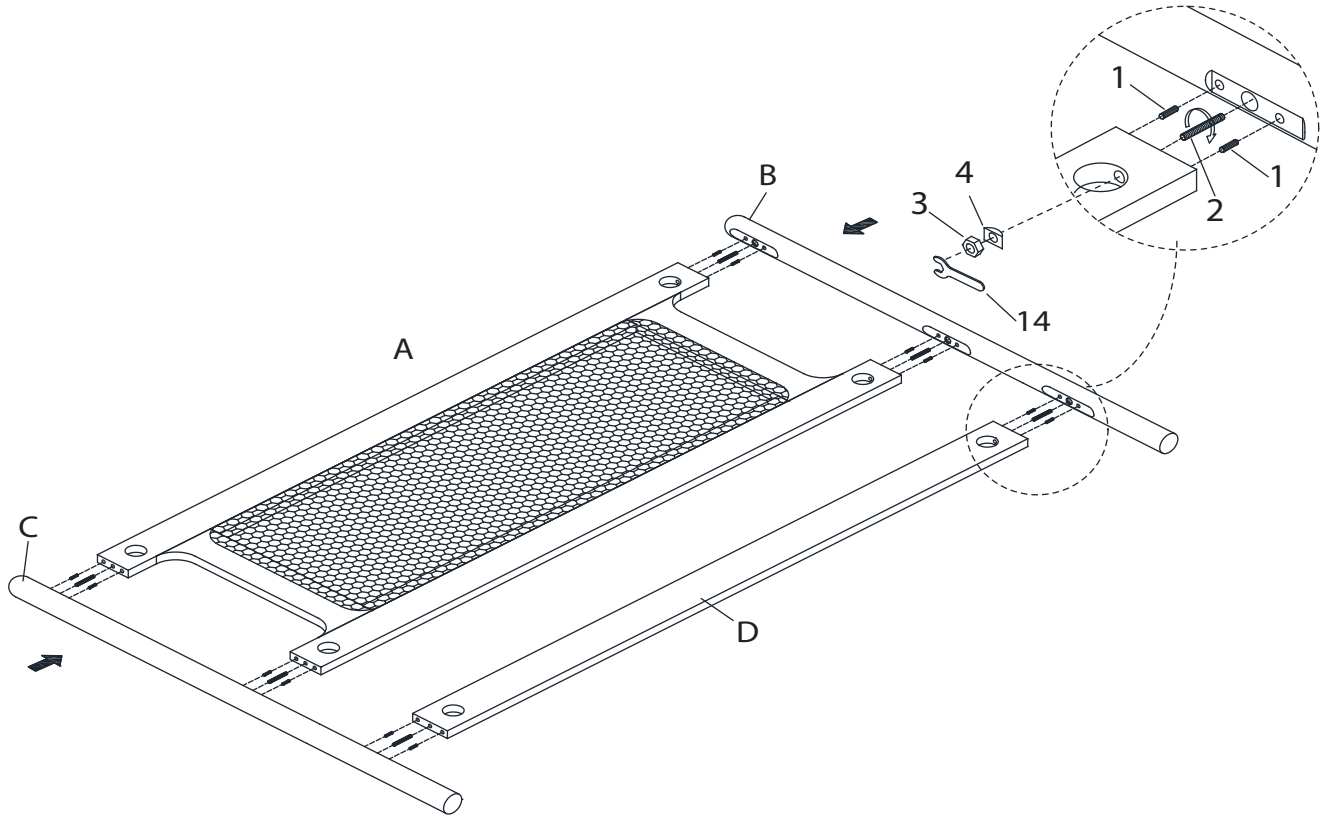
<p>1</p>  <p>Wood dowel Φ8*30mm-(32pcs)</p>	<p>2</p>  <p>Threaded bolts Φ5/16"(14pcs)</p>	<p>3</p>  <p>Hexagon nuts Φ5/16"(14pcs)</p>	<p>4</p>  <p>Curved washers Φ5/16"(14pcs)</p>
<p>5</p>  <p>Wood screws Φ8*30mm-(64pcs)</p>	<p>6</p>  <p>Round wood crews M3.5*15-(24pcs)</p>	<p>7</p>  <p>Wheel (12pcs)</p>	<p>8</p>  <p>Handles (4pcs)</p>
<p>9</p>  <p>Cross bolts 3/16*25mm(4pcs)</p>	<p>10</p>  <p>U metal plates (2pcs)</p>	<p>11</p>  <p>Hex head bolts 5/16*20mm(4pcs)</p>	<p>12</p>  <p>Washers 5/16*16*1.2mm (4pcs)</p>
<p>13</p>  <p>Allen key K4-1pc</p>	<p>14</p>  <p>Wrench (1pc)</p>		





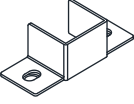



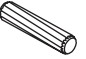


Assembly Tools Required (Not Included)

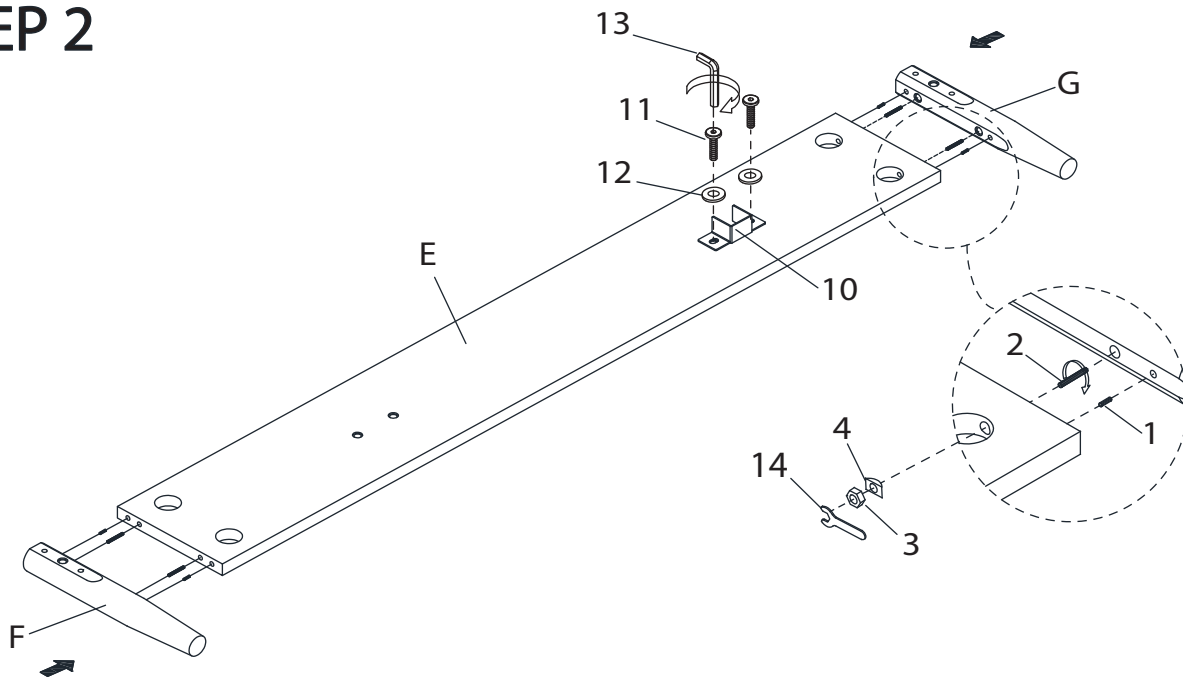
STEP 1

<p>14</p>  <p>Wrench (1pcs)</p>	<p>4</p>  <p>Curved washers $\Phi 5/16''$(6pcs)</p>	<p>3</p>  <p>Hexagon nuts $\Phi 5/16''$ (6pcs)</p>	<p>2</p>  <p>Threaded bolts $\Phi 5/16'' \times 83\text{mm}$ (6pcs)</p>	<p>1</p>  <p>Wood dowel $\Phi 8 \times 30\text{mm}$ (12pcs)</p>
--	---	--	---	---

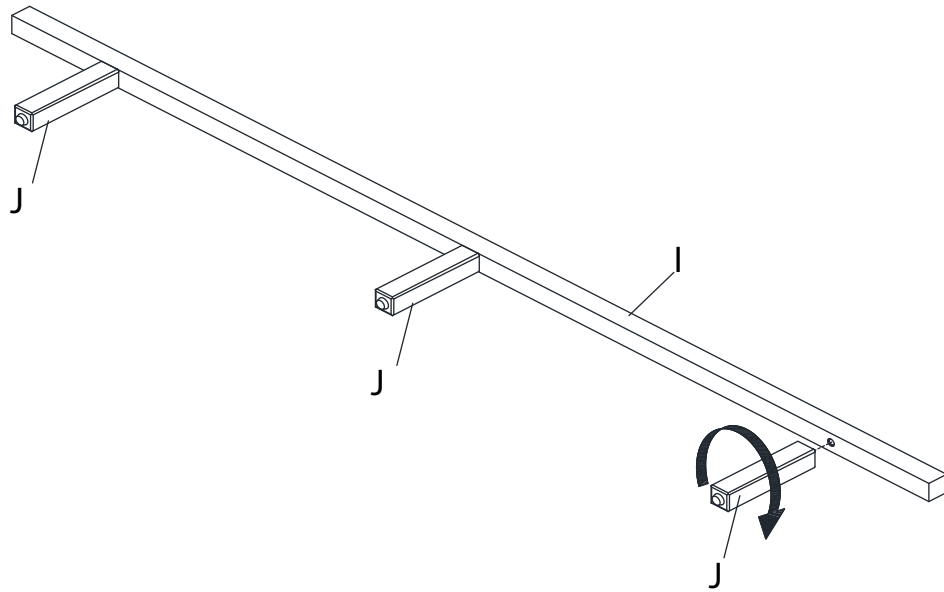


<p>14</p>  <p>Wrench (1pcs)</p>	<p>13</p>  <p>Allen key K4-1pc</p>	<p>12</p>  <p>Washers $\Phi 5/16'' \times 16 \times 1.2\text{mm}$ (2pcs)</p>	<p>11</p>  <p>Hex - head bolts $\Phi 5/16'' \times 20\text{mm}$(2pcs)</p>	<p>10</p>  <p>U metal plates (1pcs)</p>	<p>4</p>  <p>Curved washers $\Phi 5/16''$(4pcs)</p>	<p>3</p>  <p>Hexagon nuts $\Phi 5/16''$ (4pcs)</p>	<p>2</p>  <p>Threaded bolts $\Phi 5/16'' \times 83\text{mm}$ (4pcs)</p>	<p>1</p>  <p>Wood dowel $\Phi 8 \times 30\text{mm}$ (4pcs)</p>
---	---	--	---	--	---	--	---	--

STEP 2



STEP 3

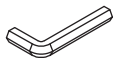


14



Wrench (1pcs)

13



Allen key K4-1pc

12



Washers 5/16*16*1.2mm (2pcs)

11



Hex - head bolts $\Phi 5/16 \times 20\text{mm}$ (2pcs)

10



U metal plates (1pcs)

4



Curved washer $\Phi 5/16 \times 16$ (4pcs)

3



Hexagon nuts $\Phi 5/16 \times 4$ (4pcs)

2



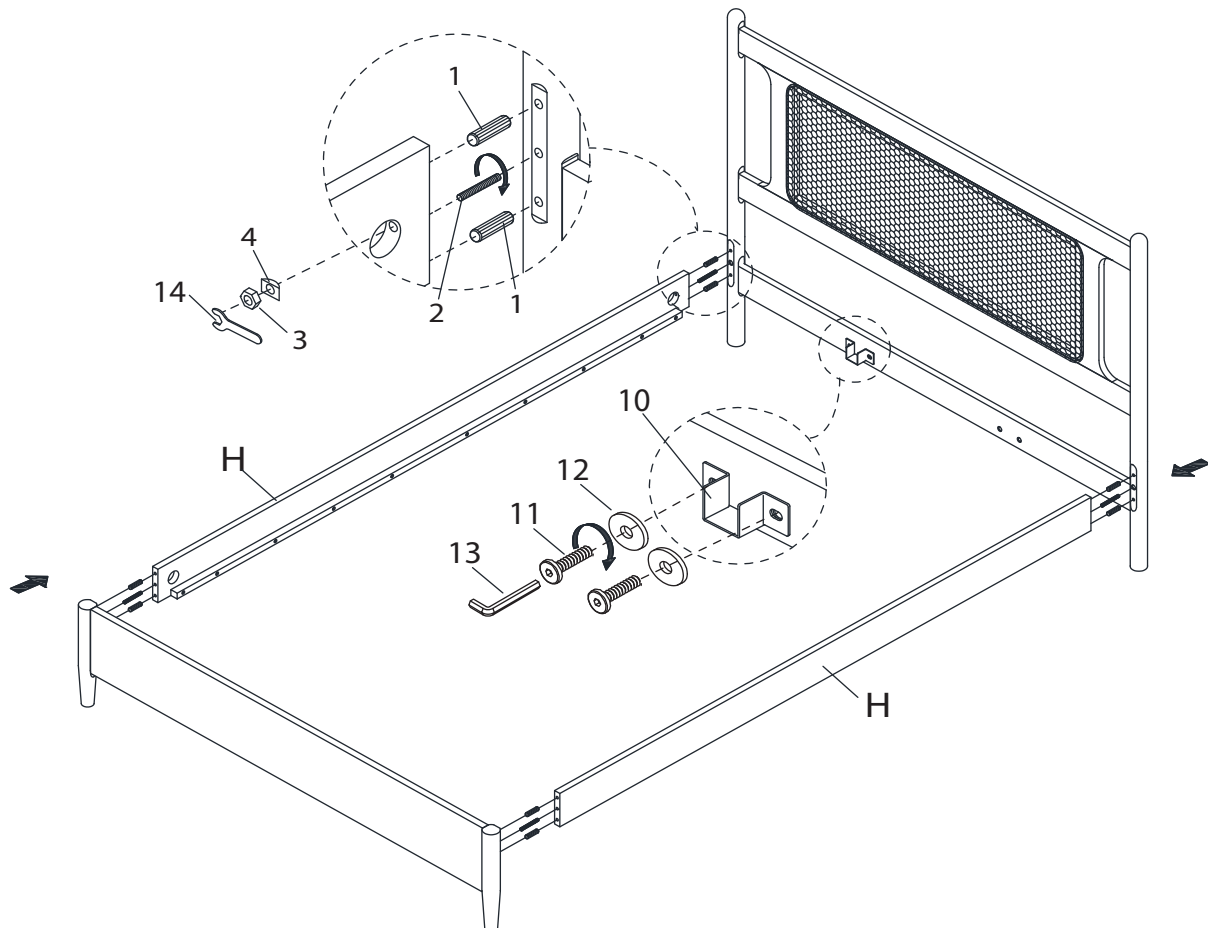
Threaded bolts $\Phi 5/16 \times 83\text{mm}$ (4pcs)

1

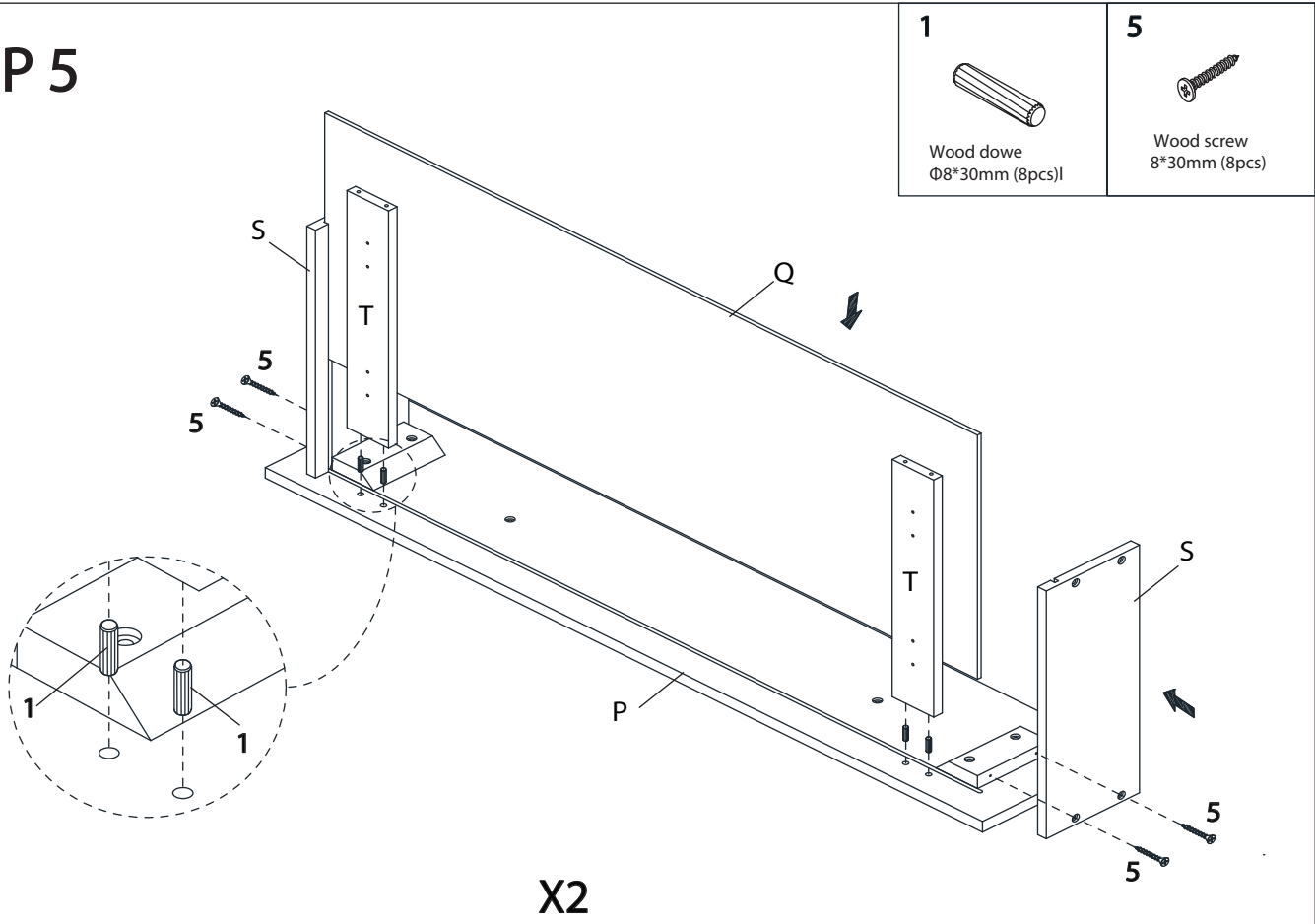


Wood dowel $\Phi 8 \times 30\text{mm}$ (8pcs)

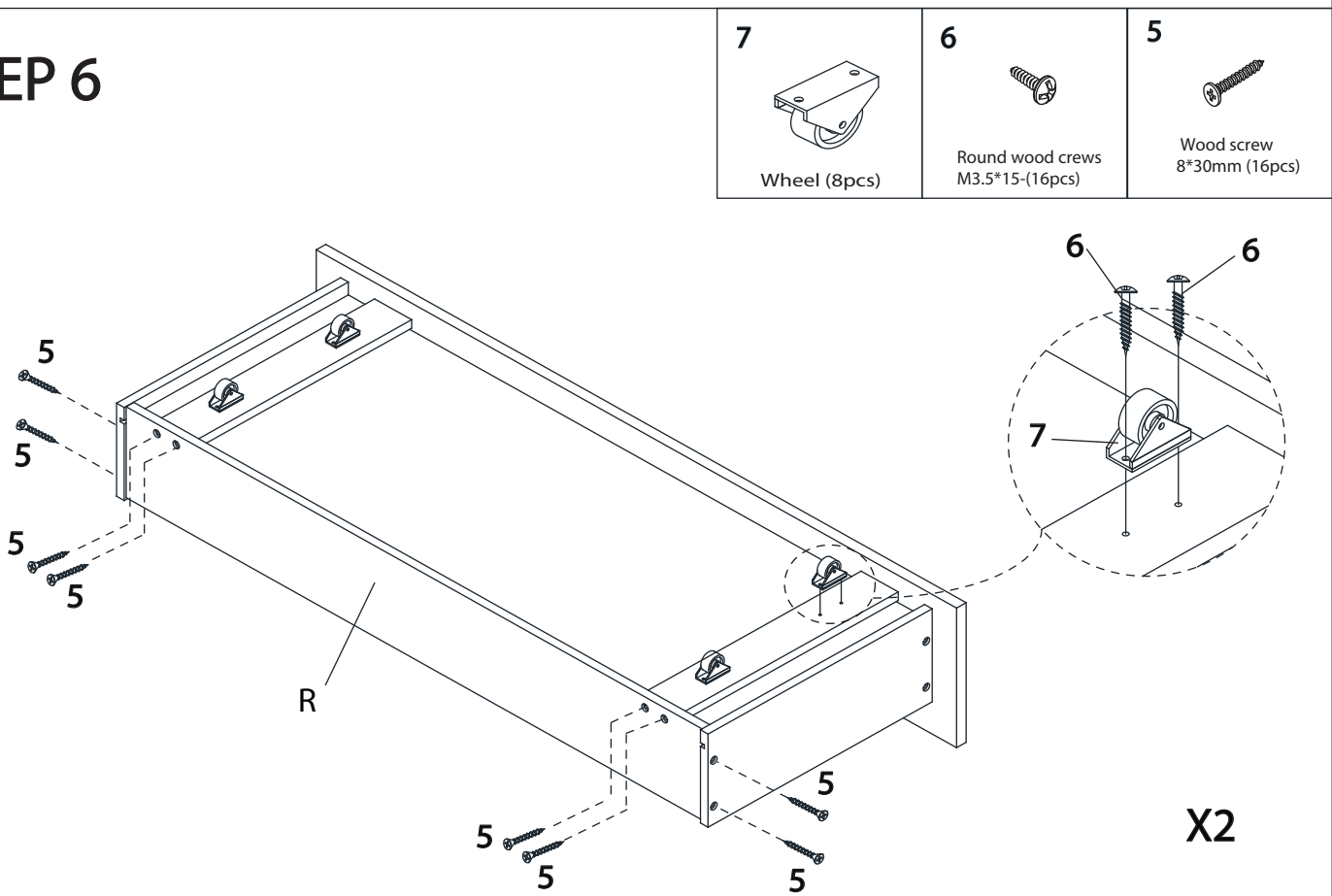
STEP 4



STEP 5



STEP 6



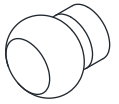
STEP 7

9

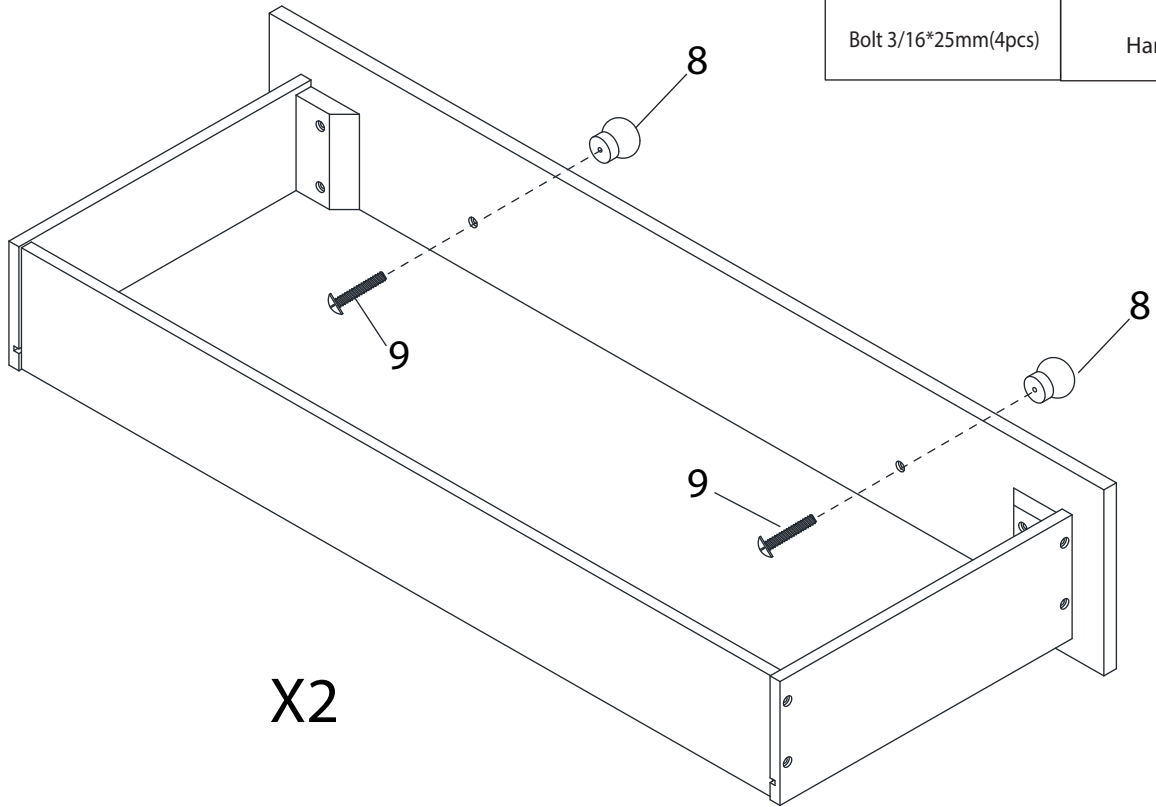


Bolt 3/16*25mm(4pcs)

8



Handles (4pcs)



X2

STEP 8

7



Wheel (4pcs)

6

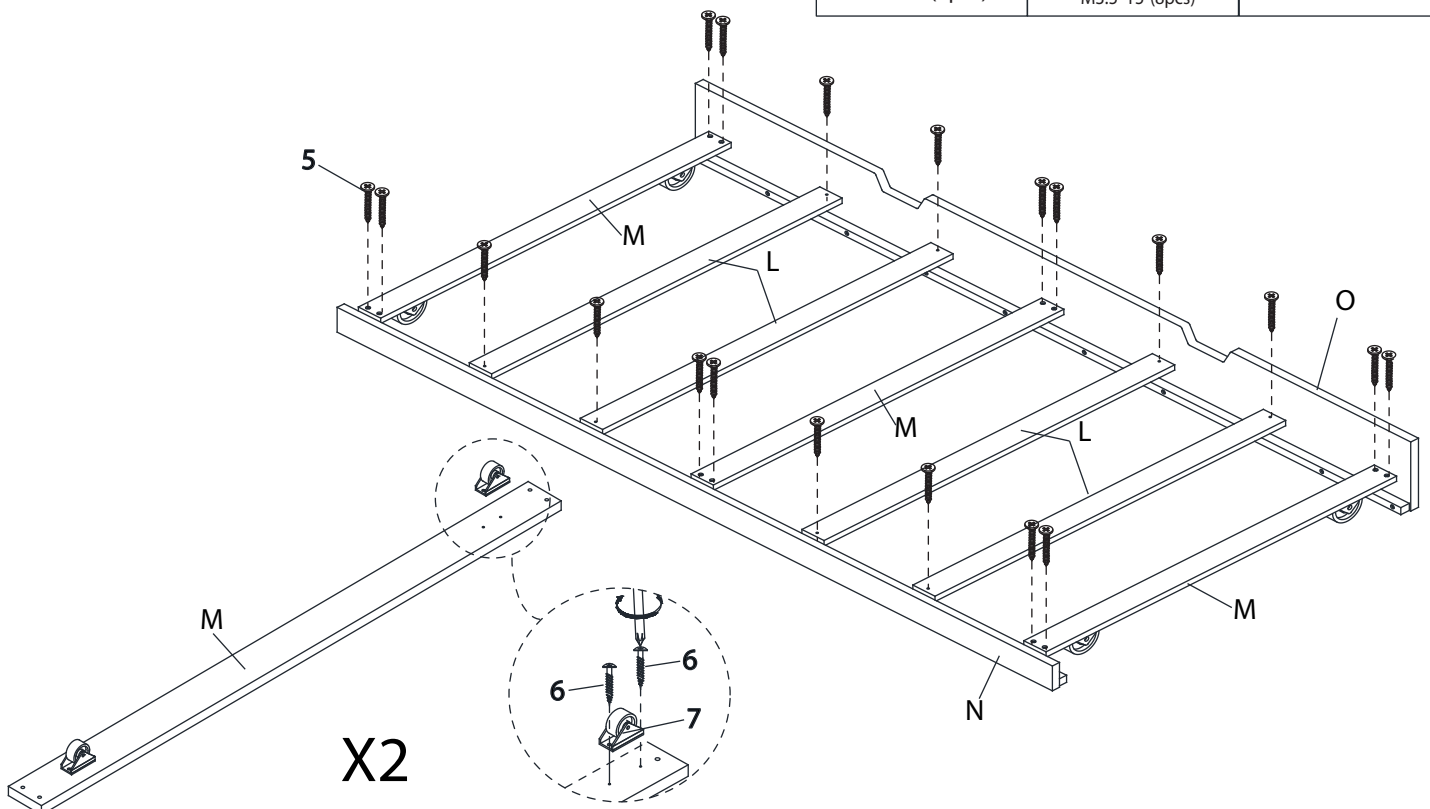


Round wood crews
M3.5*15-(8pcs)

5

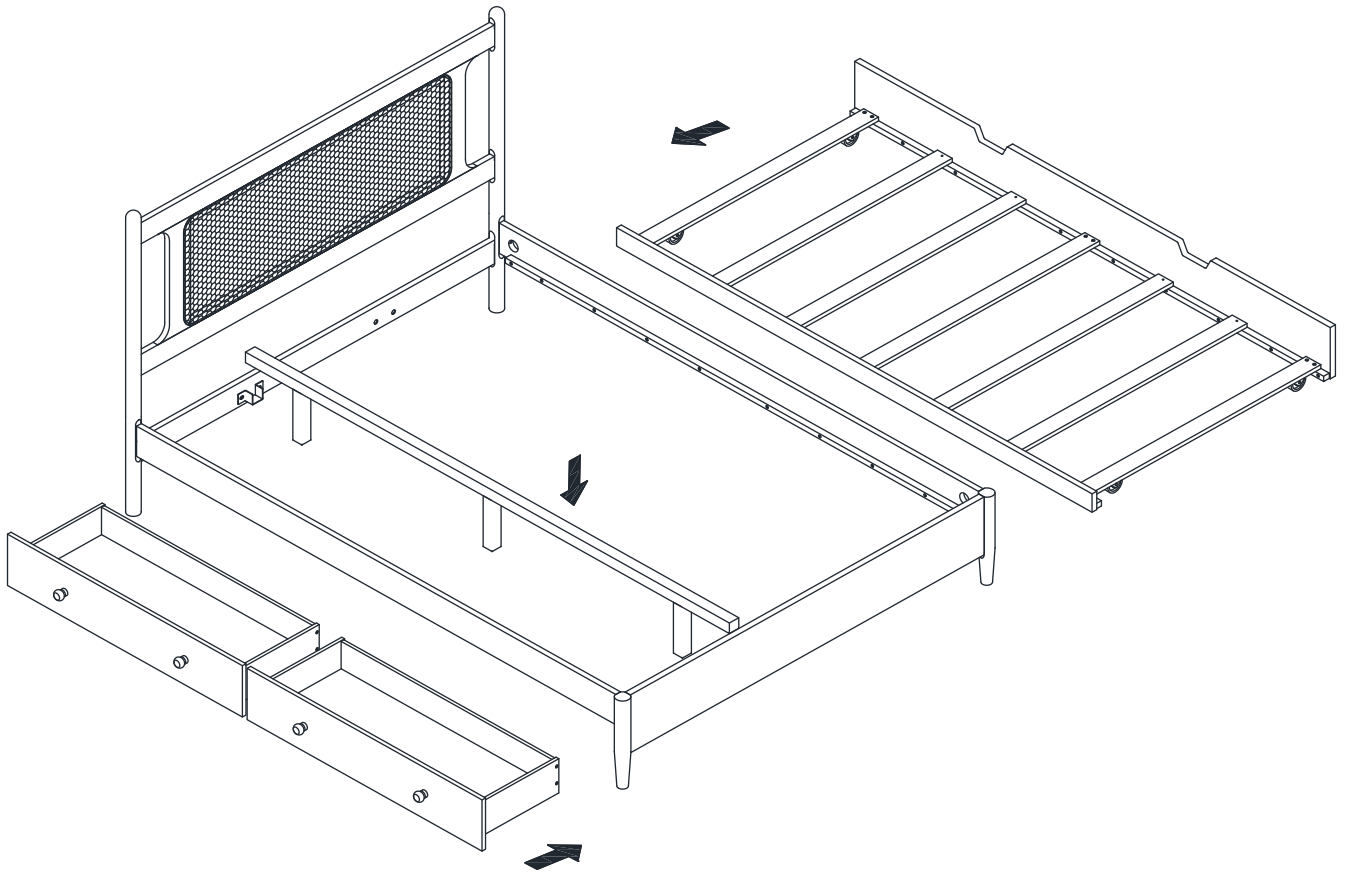


Wood screw
8*30mm (20pcs)

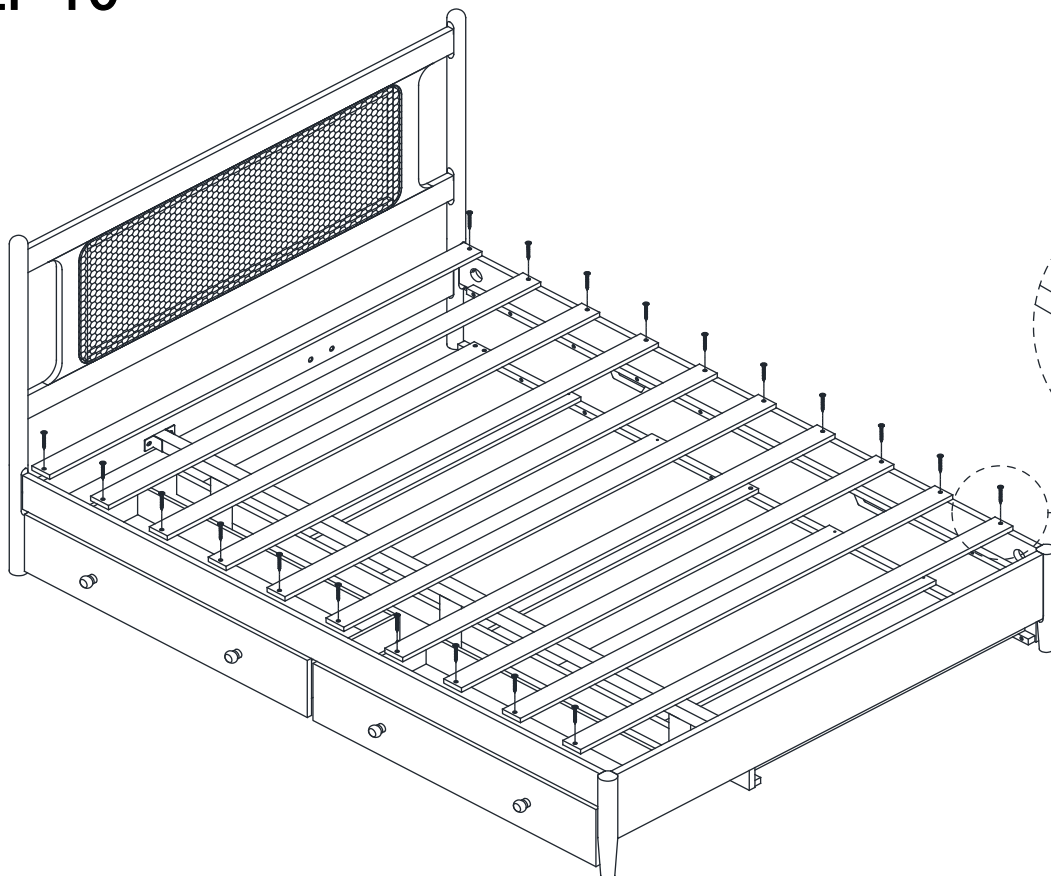


X2

STEP 9



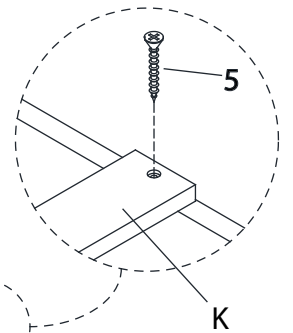
STEP 10



5



Wood screw
8°30mm (16pcs)



COMPLETED

