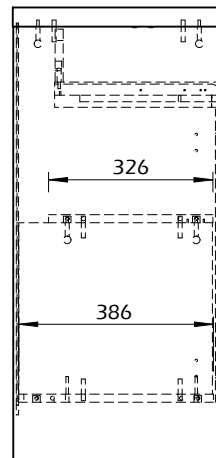
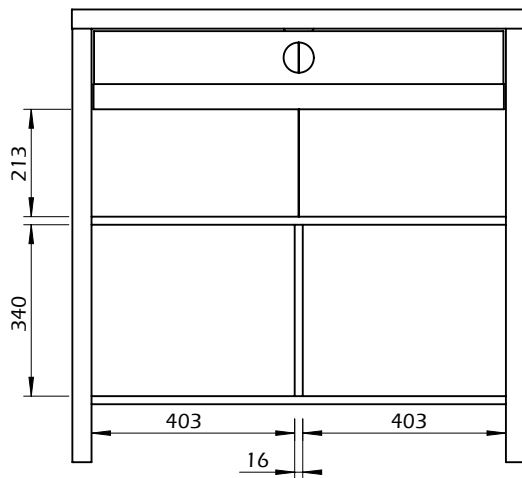
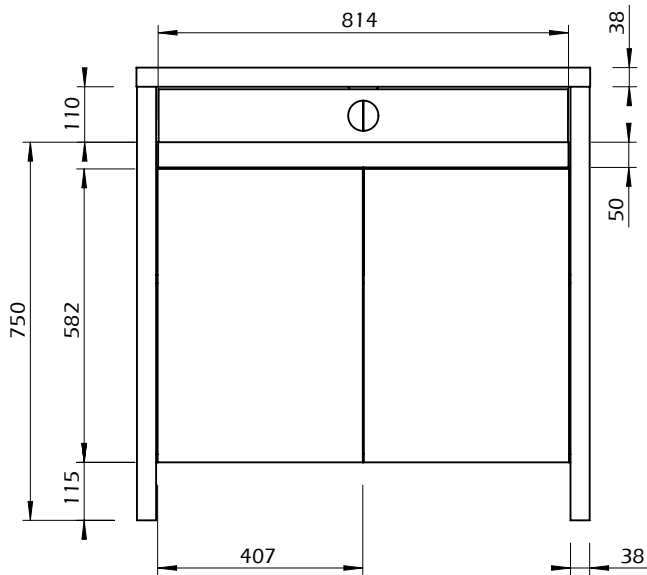
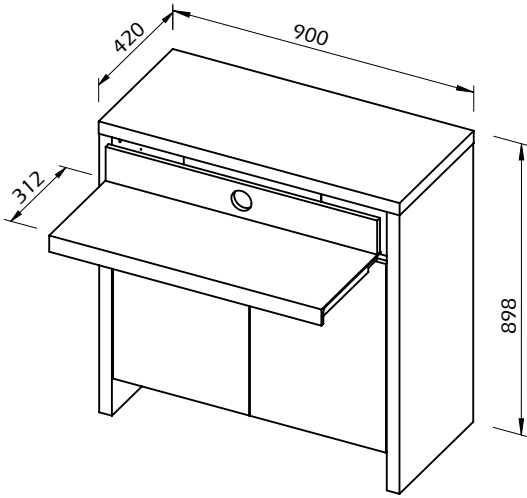


Technical Information

OLIVAL - DESK



60min



386kg

